

# eT110 Parts Catalog

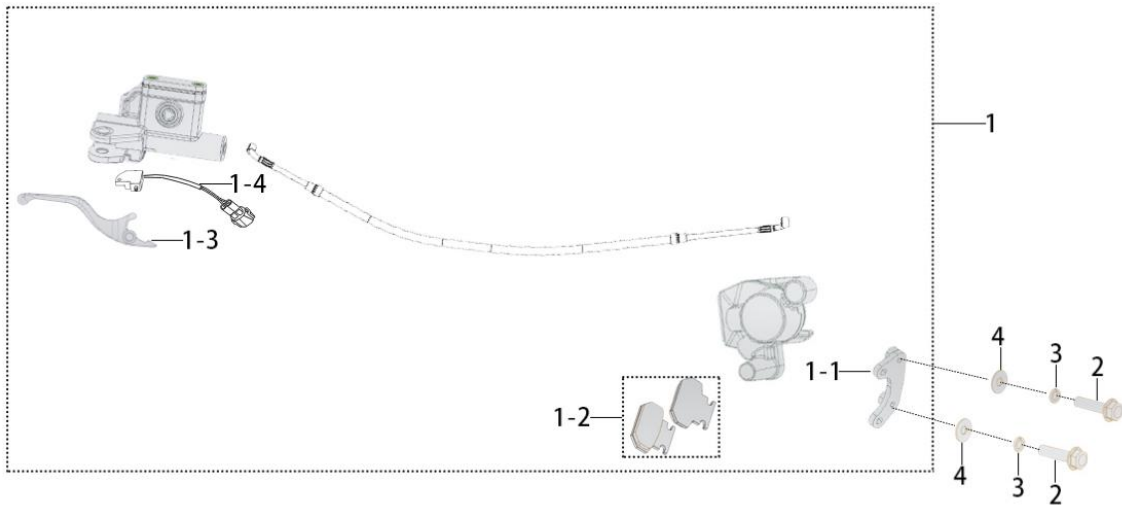


## Handlebar Assy



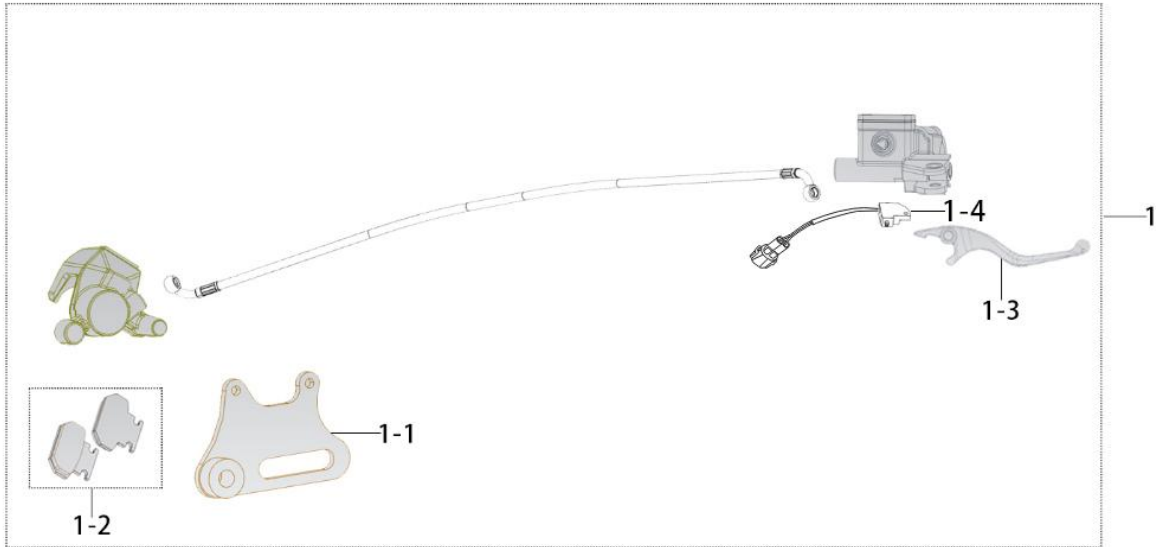
No.	Code	Name	Qty.
1	602006-0031	RIGHT SIDE HANDLEBAR ACCELERATION THROTTLE GRIP	1
1	602006-0031-02	RIGHT SIDE HANDLEBAR ACCELERATION THROTTLE GRIP	1
2	602002-0028	ALLOY HANDLEBAR	1
2	602002-0028-02		2
3	908007-0071	CABLE TIES	1
4	313002-0012	STARTER SWITCH	1
5	602006-0030	LEFT HANDLE GRIP	1
5	602006-0030-02	LEFT HANDLE GRIP	1

## Front Brake Assy



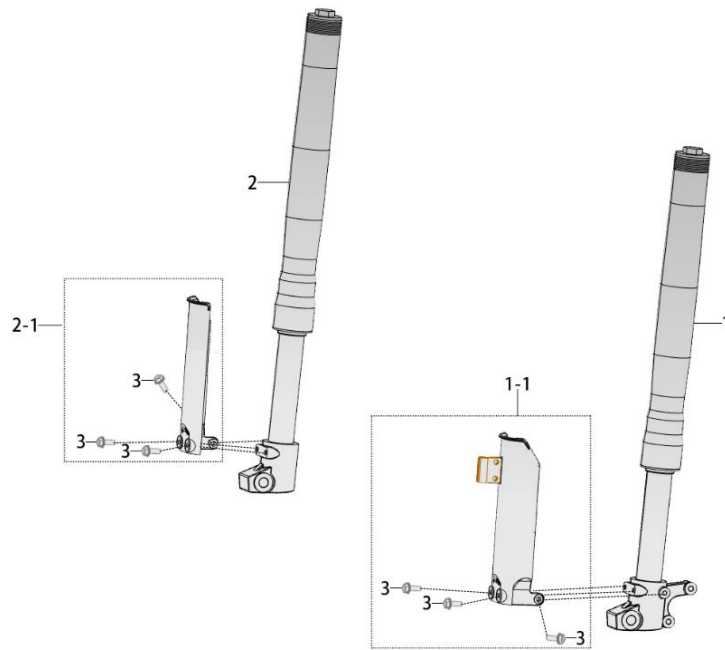
No.	Code	Name	Qty.
1	404000-0203	FRONT BRAKE ASSY	1
1	404000-0203-02	FRONT BRAKE ASSY	1
1-1	404008-0019-02	FRONT BRAKE BRACKET	1
1-2	404007-0031	FRONT BRAKE PAD	1
1-3	404002-0044	FRONT BRAKE LEVER	1
1-4	404011-0027	FRONT BRAKE SWITCH	1
2	903019-0010-03	FLANGE BOLT-M6*35	2
3	903001-0002-03	SPRING WASHER-Φ6	2
4	903002-0001-03	FLAT WASHER-Φ6*12*1.5	2

## Rear Brake Assy



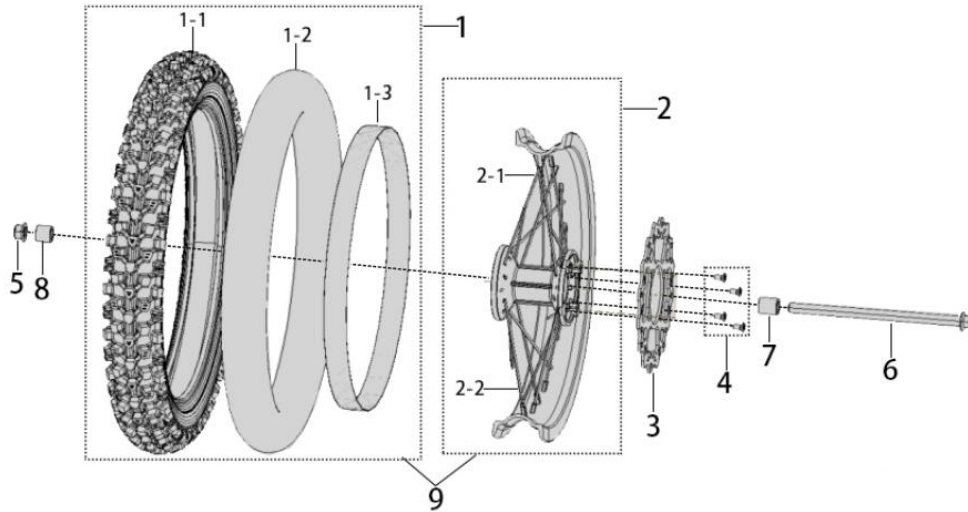
No.	Code	Name	Qty.
1	405000-0154	REAR BRAKE ASSY	1
1-1	405009-0031	REAR BRAKE BRACKET	1
1-2	404007-0031	REAR BRAKE PAD	1
1-3	405002-0016	REAR BRAKE LEVER	1
1-4	405012-0017	REAR BRAKE SWITCH	1

## Front Shock Assy



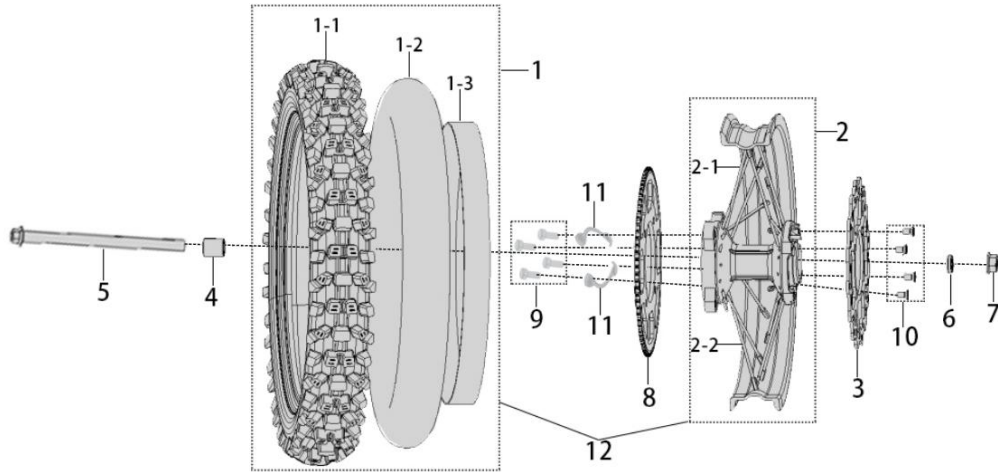
No.	Code	Name	Qty.
1	501000-0150	FRONT SHOCK, LH	1
1-1	501001-0009	FRONT SHOCK GUARD, LH	1
2	501000-0151	FRONT SHOCK, RH	1
2-1	501001-0010	FRONT SHOCK GUARD, RH	1
3	903018-0004-03	FLANGE BOLT-M6*16	6

## Front Wheel Assy



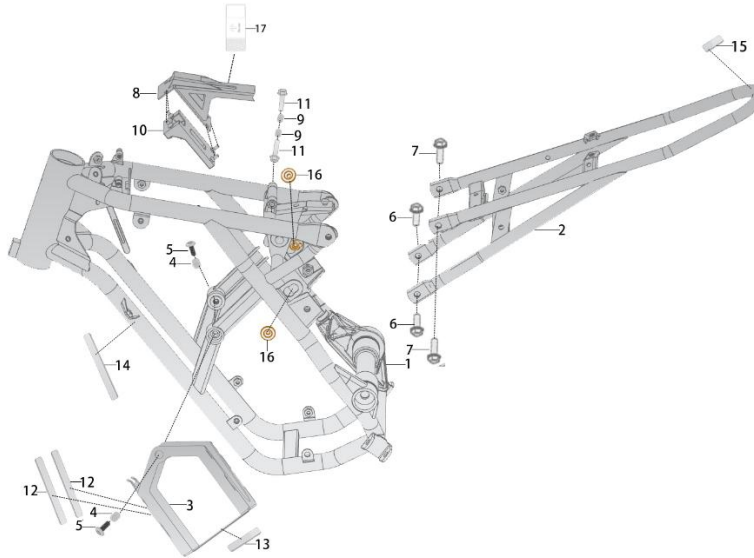
No.	Code	Name	Qty.
1	401005-0038	FRONT TYRE & INNER TUBE	1
1-1	401006-0048	FRONT TYRE	1
1-2	401007-0010	INNER TUBE	1
1-3	401008-0002	INNER TUBE BAND	1
2	401000-0080	FRONT RIM	1
2-1	401004-0021	OUTER FRONT SPOKE 14'.	16
2-2	401004-0020	INNER FRONT SPOKE 14'.	16
3	404001-0022	FRONT BRAKE DISC-WAVE	1
4	903014-0001-03	SCREW- M6*16	4
5	903007-0008-02	FLANGE NUT-M12*1.25	1
6	901001-0020	FLANGE SHAFT-Φ12*215*M12*1.25MM	1
7	902001-0046	FLAT BUSHING-Φ12*20*H19	1
8	902001-0126	FLAT BUSHING-Φ12*20*H23	1
9	C90002-0072	FRONT WHEEL ASSY	1

## Rear Wheel Assy



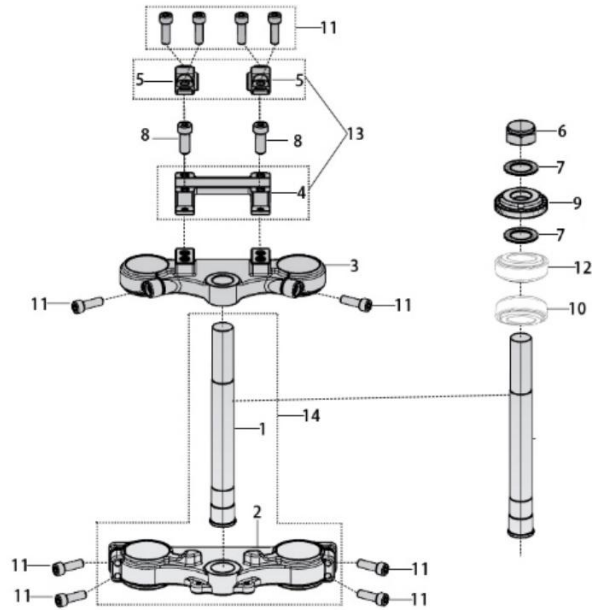
No.	Code	Name	Qty.
1	402005-0037	REAR TYRE & INNER TUBE	1
1-1	402006-0041	REAR TYRE	1
1-2	402007-0006	INNER TUBE	1
1-3	401008-0001	INNER TUBE BAND	1
2	402000-0089	REAR RIM	1
2-1	402004-0022	INNER REAR SPOKE 12'	16
2-2	402004-0023	OUTER REAR SPOKE 12'	16
3	404001-0022	REAR BRAKE DISC-WAVE	1
4	902001-0186	REAR WHEEL LEFT SPACER	1
5	901001-0015	FLANGE AXLE-Φ12*190*1.25MM	1
6	902001-0124	FLAT BUSHING-Φ12*20*H4	1
7	903007-0008-02	NUT-M12*1.25	1
8	205001-0056-02	STEEL REAR SPROCKET	1
9	903017-0026	BOLT-M8*20	4
9	903017-0026-02	BOLT-M8*20	4
10	903014-0001-03	SCREW- M6*16	4
11	906004-0014	REAR SPROCKET LOCKING TAP	2
12	C90002-0073	REAR WHEEL ASSY	1

## Frame Assy



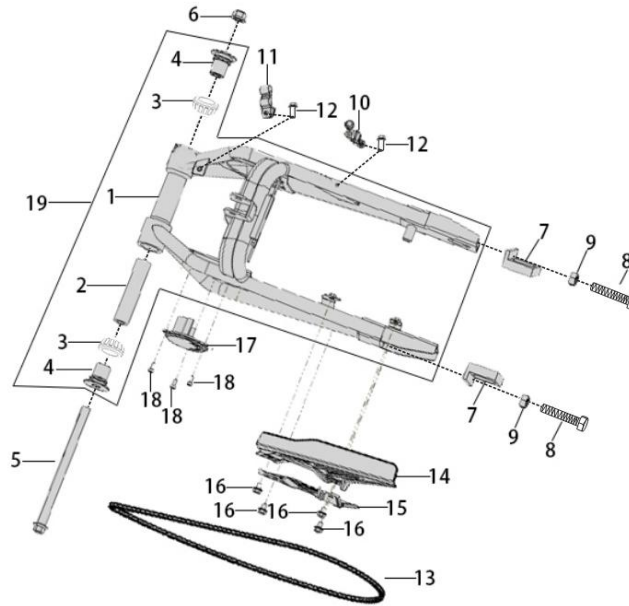
No.	Code	Name	Qty.
1	551000-0158-02	FRAME ASSY	1
2	552000-0046-02	SUB-FRAME ASSY	1
3	315012-0037	BATTERY HOLDER	1
4	902001-0184-02	BATTERY BOX BUSHING	2
5	903015-0006-02	SCREW- M8*20	2
6	903019-0013-03	BOLT-M8*20	2
7	903019-0014-03	BOLT-M8*25	2
8	315012-0038-02	UPPER BATTERY PLATE	1
9	902002-0086	BATTERY LOCKING DEVICE BUSHING	2
10	908007-0077-02	BATTERY LOCKING DEVICE RUBBER	1
11	903018-0007	BOLT-M6*25	2
12	909010-0039	EVA FOAM	2
13	909010-0040	EVA FOAM	1
14	909010-0041	EVA FOAM	1
15	909010-0042	EVA FOAM	1
16	908007-0034	ROUND CLIP	2
17	909011-0084	UPPER BATTERY PLATE COVER	1

## Clamps Assy



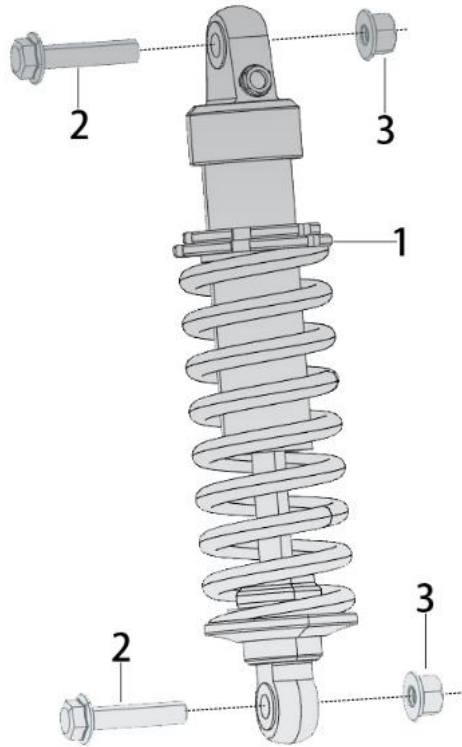
No.	Code	Name	Qty.
1	601006-0025	STEERING COLUMN	1
2	601002-0022	LOWER CLAMP	1
3	601001-0026	UPPER CLAMP	1
4	601004-0022	LOWER RAISERS	1
5	601003-0017	UPPER RAISERS	2
6	601005-0001	TOP NUT	1
7	903003-0001-02	WASHER- $\Phi 23 \times 36 \times 1.5$	2
8	903013-0036-02	SCREW-M10*30*1.5	2
9	601005-0008	DUSTOFF SEAL	1
10	907002-0007	LOWER NEEDLE ROLLER BEARING	1
11	903013-0020-05	SCREW- M8*25	10
12	907002-0006	UPPER NEEDLE ROLLER BEARING	1
13	C90004-0001	UPPER AND LOWER RAISERS KIT	1
14	C90002-0011	LOWER CLAMP KIT	1

## Swingarm Kit



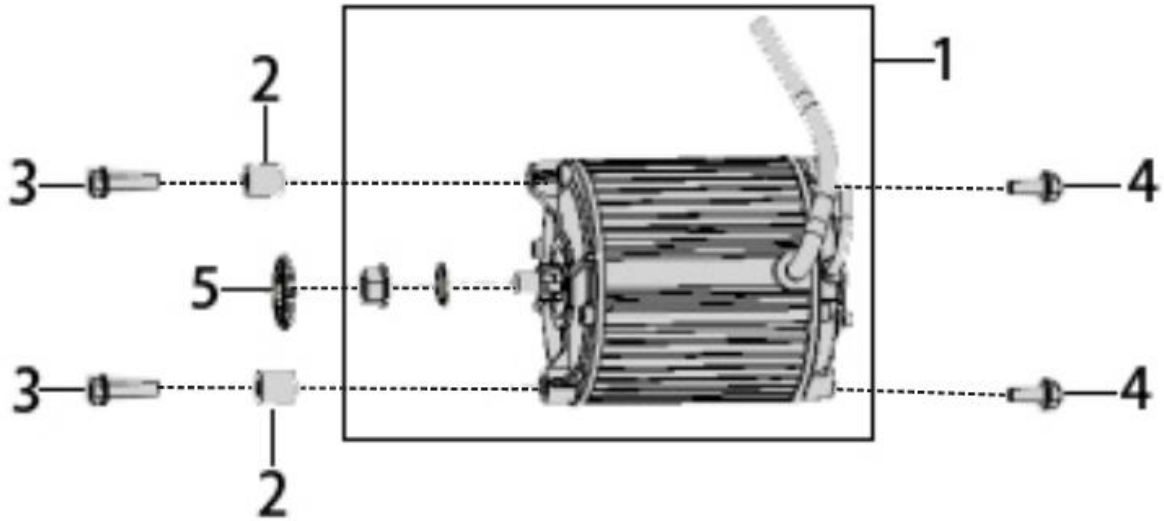
No.	Code	Name	Qty.
1	553000-0080-02	STEEL SWINGARM	1
2	901003-0020	SWINGARM SHAFT PIPE	1
2	901003-0020-02	SWINGARM SHAFT PIPE	1
3	907002-0004	BEARING	2
4	902002-0085	SWINGARM SHAFT BUSHING	2
5	901001-0015	FLANGE SHAFT	1
6	903007-0008-02	NUT-M12*1.25	1
7	203003-0011	CHAIN ADJUSTER	2
8	903017-0007-04	BOLT-M8*40 S10	2
9	903005-0006-02	NUT-M8	2
10	405010-0003	REAR BRAKE OIL HOSE CLIP I	1
11	405010-0005	REAR BRAKE OIL HOSE CLIP II	1
12	903018-0003-03	FLANGE BOLT-M6*12	2
13	203000-0125	CHAIN	1
14	801008-0013	UPPER CHAIN GUARD	1
15	801008-0014	LOWER CHAIN GUARD	1
16	903012-0012-02	SCREW-M6*8	4
17	801008-0012	SMALL SPROCKET GUARD	1
18	903013-0001-02	SCREW-M5*12	3
19	C90002-0171	SWINGARM ASSY	1

## Rear Shock Assy



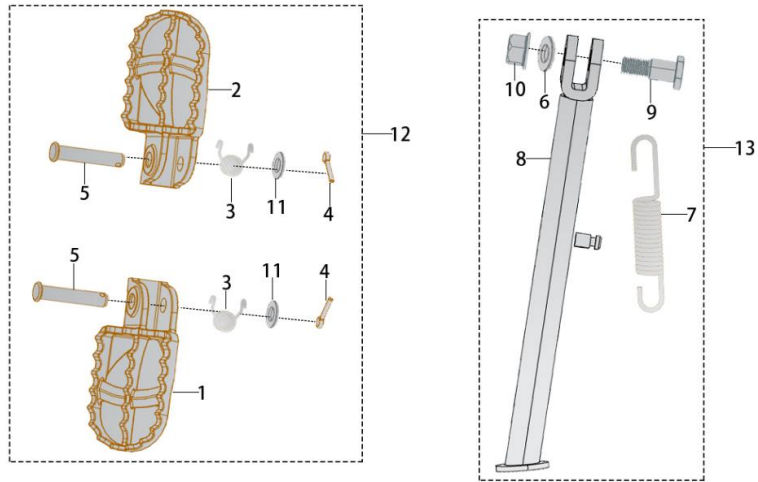
No.	Code	Name	Qty.
1	502000-0106	REAR SHOCK ASSY	1
2	903019-0022	FLANGE BOLT-M10*45*1.25	2
3	903007-0006-02	NUT-M10*1.25	2

## Motor



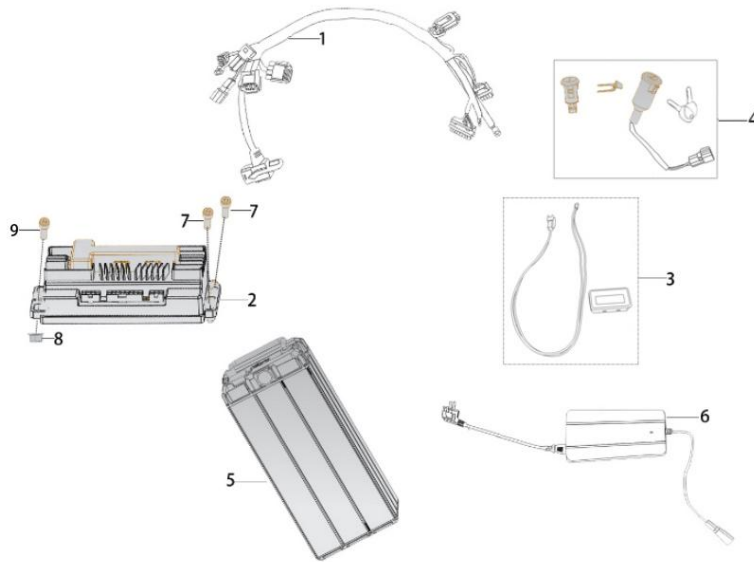
No.	Code	Name	Qty.
1	316004-0030	MOTOR ASSY	1
1	316004-0030-02	MOTOR ASSY	1
2	902001-0185	BUSHING- $\Phi 6*15*15.5$	2
3	903018-0007	FLANGE BOLT-M6*25	2
4	903018-0004-03	FLANGE BOLT-M6*16	2
5	205004-0036	SMALL SPROCKET	1

## Sidestand & Footpegs Assy



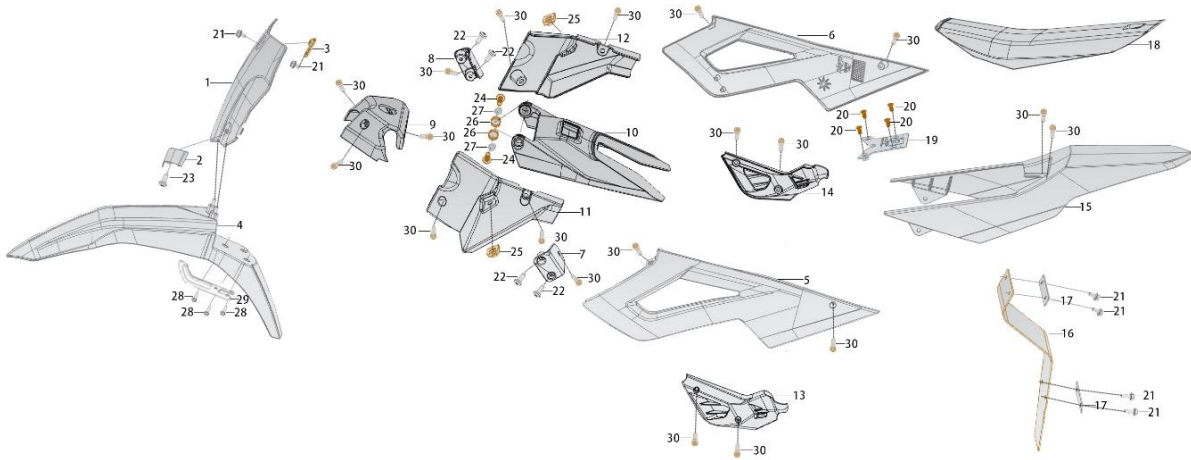
No.	Code	Name	Qty.
1	506003-0028	LEFT FOOTPEG	1
2	506003-0029	RIGHT FOOTPEG	1
3	407001-0014	FOOTPEG SPRING	2
4	904002-0002-03	COTTER PIN-2.5*24	2
5	904001-0001	HINGE PIN- $\Phi 8*42.5+\Phi 3*37.5$	2
6	903002-0008-03	FLAT WASHER- $\Phi 10*20*2$	1
7	407002-0001	SIDESTAND SPRING	1
8	554000-0056-02	SIDESTAND	1
9	903020-0002-03	BOLT-M10*35*1.5 S17	1
10	903007-0007-03	NUT-M10*1.5	1
11	903002-0004-03	FLAT WASHER- $\Phi 8*16*1.5$	2
12	C90002-0019-02	LEFT FOOTPEG ASSY	1
13	C90002-0170	RIGHT FOOTPEG ASSY	1

## Electric Component Assy



No.	Code	Name	Qty.
1	309001-0200	MAIN CABLE	1
2	316001-0042	CONTROLLER	1
3	311001-0036	POWER GAUGE	1
4	314001-0022	LOCKING ASSEMBLY	1
5	312001-0058	BATTERY	1
5	312001-0058-02	BATTERY	1
6	316002-0036	CHARGER	1
6	316002-0036-02	CHARGER	1
6	316002-0048	CHARGER	1
	316006-0039	AC电源线	1
7	903013-0006-03	SCREW-M6*16	2
8	903006-0002-03	NUT-M6	1
9	903013-0008-03	SCREW-M6*20	1

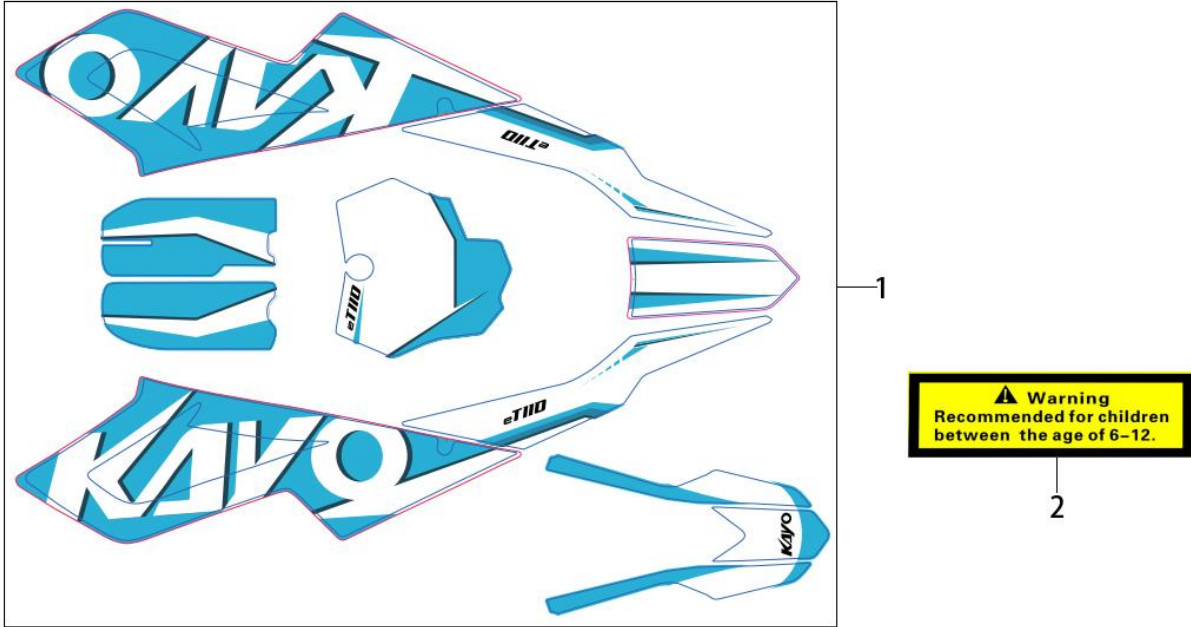
## Plastic Assy



No.	Code	Name	Qty.
1	801019-0002-02	FRONT PLATE	1
2	801019-0001	CABLE CLIP	1
3	555000-0039	FRONT PLATE BRACKET	1
4	801019-0003-02	FRONT MUDGUARD	1
5	801008-0001	FRAME LEFT GUARD	1
6	801008-0002	FRAME RIGHT GUARD	1
7	801008-0004	FRAME LEFT GUARD BRACKET	1
8	801008-0005	FRAME RIGHT GUARD BRACKET	1
9	801008-0006	ELECTRIC LOCK DECORATIVE PLATE	1
10	801008-0007	BATTERY COVER	1
11	801008-0008	LEFT EXIT TRIM PLATE	1
12	801008-0009	RIGHT OUTLET DECORATIVE PLATE	1
13	801008-0010	LEFT FOOTREST DECORATIVE PLATE	1
14	801008-0011	RIGHT FOOTREST DECORATIVE PLATE	1
15	801008-0003	REAR CENTER GUARD	1
16	908006-0014	REAR MUD FLAP	1
17	555000-0201	MUDGUARD MOUNTING PLATE	2
18	701000-0064	SEAT CUSHION ASSEMBLY	1
19	315007-0002-02	SEAT CUSHION LOCK PLATE	1
20	903014-0001-03	HEXAGON SOCKET COUNTERSUNK HEAD SCREWS GB70.3 M6*16	4
21	903018-0003-03	HEXAGON SOCKET SMALL HEAD FLANGE BOLTS GB5787 M6*12	6
22	903010-0004-03	CROSSED FLAT HEAD TAPPING SCREWS GB845-85 ST4.2*12	4
23	903010-0006-03	PHILLIPS FLAT HEAD TAPPING SCREWS GB845-85 ST4.8*12	1

<b>No.</b>	<b>Code</b>	<b>Name</b>	<b>Qty.</b>
24	903015-0003-03	HEXAGON SOCKET HEAD CAP SCREWS M6*20	2
25	903008-0020-03	CLIP NUTS M6 20*16*1	2
26	407003-0016	BATTERY COVER SPRING	2
27	902001-0183	BATTERY COVER BUSHINGS	2
28	903018-0004-03	HEXAGON SOCKET HEAD FLANGE BOLTS GB5787 M6*16	3
29	902002-0042	STEP BUSHING	3
29	555000-0205	FRONT MUD FRAME	1
30	903013-0004-02	HEXAGON SOCKET CHEESE HEAD SCREWS GB70-85 M6*12	19

# Sticker



No.	Code	Name	Qty.
1	802008-0002	STICKER	1
2	802013-0012	WARNING LABEL-AGE	1