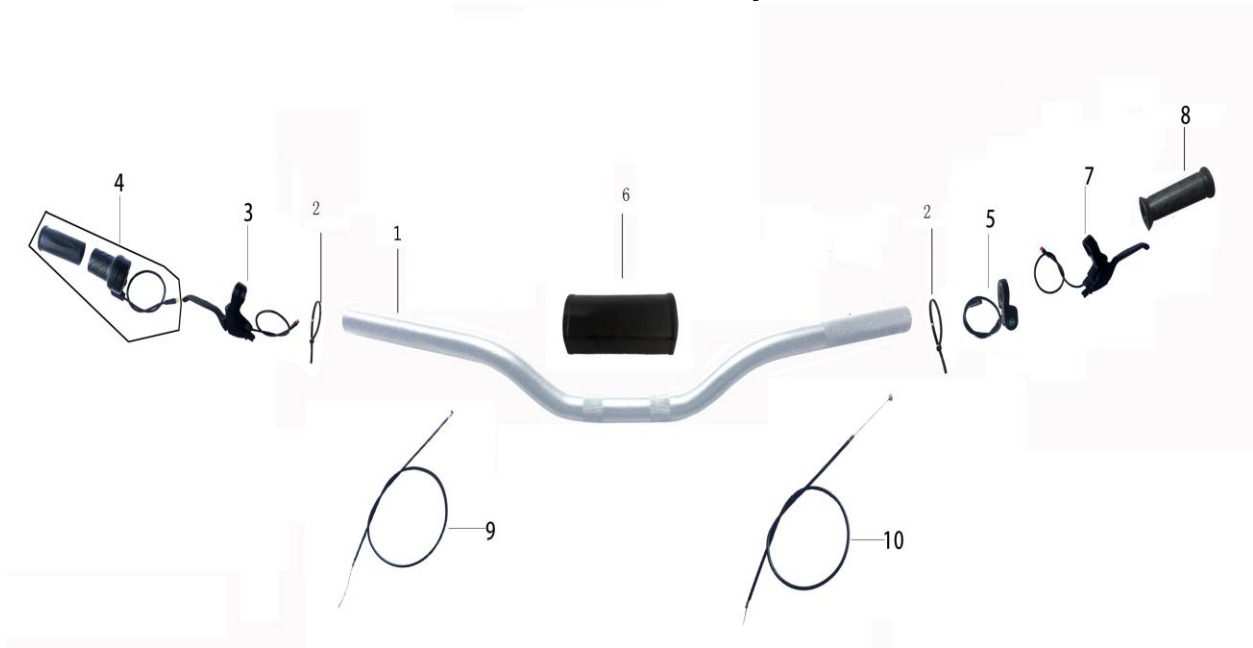


eKMB Parts Catalog

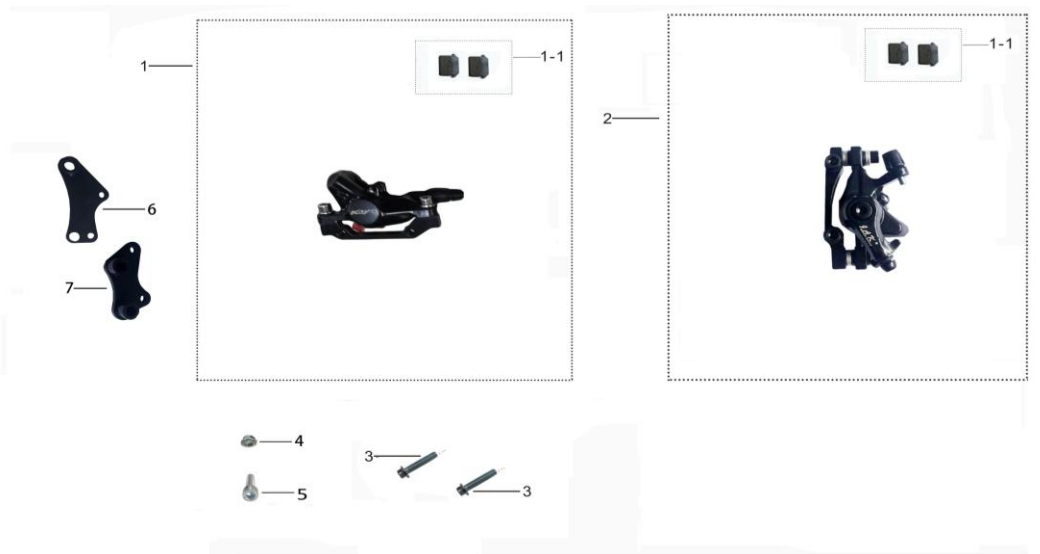


Handlebar Assy



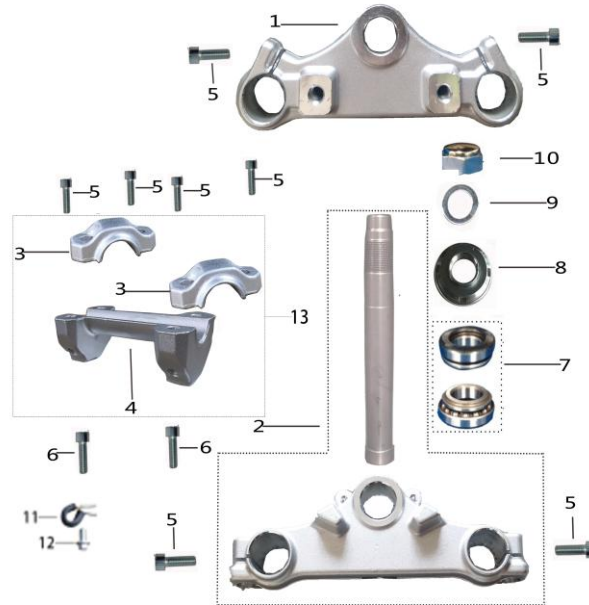
No.	Code	Name	Qty.
1	602002-0008-02	ALLOY HANDLEBAR	1
2	906003-0002	CABLE TIES	2
3	404002-0034	FRONT BRAKE LEVER-RH	1
4	602011-0018	ACCELERATOR	1
5	313002-0003-02	HORN SWITCH	1
6	602017-0011	HANDLEBAR PAD	1
7	405002-0009	REAR BRAKE LEVER-LH	1
8	602006-0022	LEFT HANDLE GRIP	1
9	602016-0009-02	FRONT BRAKE CABLE	1
9	602016-0009-03	FRONT BRAKE CABLE	1
10	602016-0010-02	REAR BRAKE CABLE	1

Brake Assy



No.	Code	Name	Qty.
1	405007-0013	REAR BRAKE PUMP	1
1-1	404007-0023	FRONT/REAR BRAKE PADS	2
2	404006-0002	FRONT BRAKE PUMP	1
3	903018-0012	FLANGE BOLT-M8*40	2
3	903018-0012-03	FLANGE BOLT-M8*40	2
4	903006-0002	FLANGE NUT-M6	1
4	903006-0002-03	FLANGE NUT-M6	1
5	903013-0004	SCREW-M6*12	1
5	903013-0004-02	SCREW-M6*12	1
6	405009-0024	REAR BRAKE BRACKET	1
7	404008-0027	FRONT BRAKE BRACKET	1

Clamps Assy



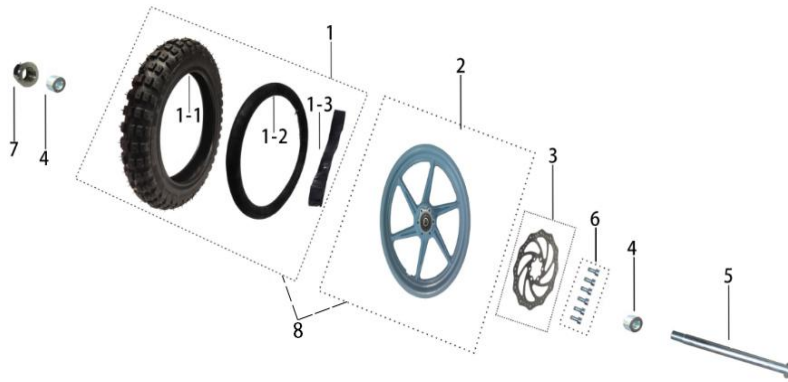
No.	Code	Name	Qty.
1	601001-0025	UPPER CLAMP	1
2	601002-0027	LOWER CLAMP	1
3	601003-0017	UPPER RAISER	2
4	601004-0022	LOWER RAISER	1
5	903013-0020	SCREW-M8*25	8
5	903013-0020-05	SCREW-M8*25	8
6	903013-0036	SCREW-M10*30*1.5	2
6	903013-0036-02	SCREW-M10*30*1.5	2
7	907001-0028	BEARING	1
8	601005-0009	DUST COVER	1
9	601005-0012	WASHER- Φ 23*36*1.5	1
10	601005-0001	TOP NUT	1
11	908007-0005	BAND CLAMP	1
12	903018-0003	FLANGE BOLT-M6*12	1
12	903018-0003-03	FLANGE BOLT-M6*12	1
13	C90002-0032	UPPER AND LOWER CLAMPS ASSY	1

Front Shock Assy



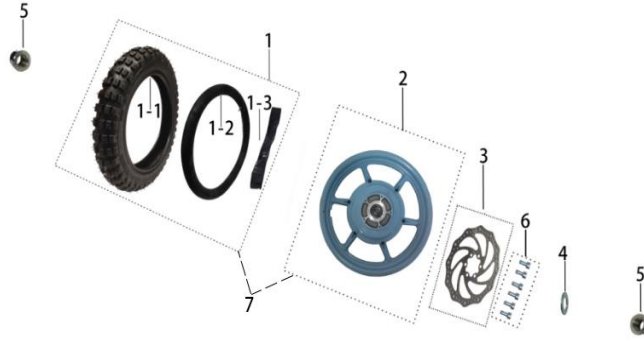
No.	Code	Name	Qty.
1	501000-0113	FRONT SHOCK, RH	1
2	501000-0112	FRONT SHOCK, LH	1

Front Wheel Assy



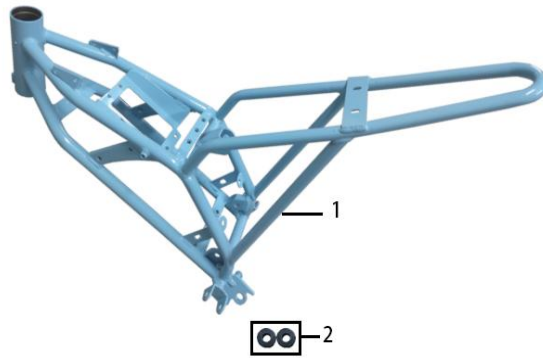
No.	Code	Name	Qty.
1	401005-0001	TYRE & INNER TUBE	1
1-1	401006-0001	TYRE	1
1-2	401007-0002	INNER TUBE	1
1-3	401008-0001	INNER TUBE BAND	1
2	401000-0097-02	FRONT RIM	1
3	405001-0020	REAR BRAKE DISC-WAVE	1
4	902002-0075	FRONT WHEEL STEP SLEEVE	2
5	901001-0015	FLANGE AXLE- Φ 12*190*1.25MM	1
6	903013-0001	SCREW-M5*12	6
6	903013-0001-02	SCREW-M5*12	6
7	903007-0008	FLANGE NUT-M12*1.25	1
7	903007-0008-02	FLANGE NUT-M12*1.25	1
8	C90002-0080	FRONT WHEEL ASSY	1

Rear Wheel Assy



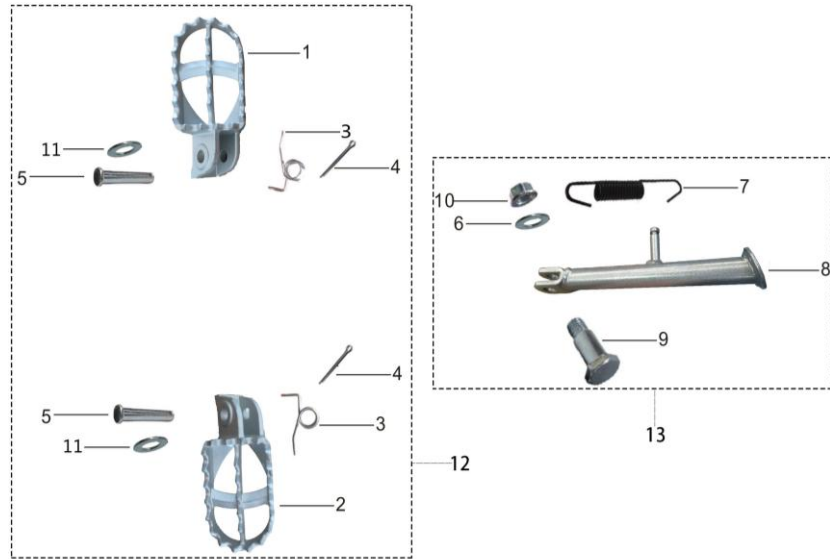
No.	Code	Name	Qty.
1	401005-0001	TYRE & INNER TUBE	1
1-1	401006-0001	TYRE	1
1-2	401007-0002	INNER TUBE	1
1-3	401008-0001	INNER TUBE BAND	1
2	316004-0027-02	WHEEL HUB MOTOR	1
3	405001-0020	REAR BRAKE DISC - WAVE	1
4	903002-0010	WASHER-Φ12*24*2	1
4	903002-0010-03	WASHER-Φ12*24*2	1
5	903007-0008	FLANGE NUT-M12*1.25	2
5	903007-0008-02	FLANGE NUT-M12*1.25	2
6	903013-0001	SCREW-M5*12	6
6	903013-0001-02	SCREW-M5*12	6
7	C90002-0081	REAR WHEEL ASSY	1

Frame Assy



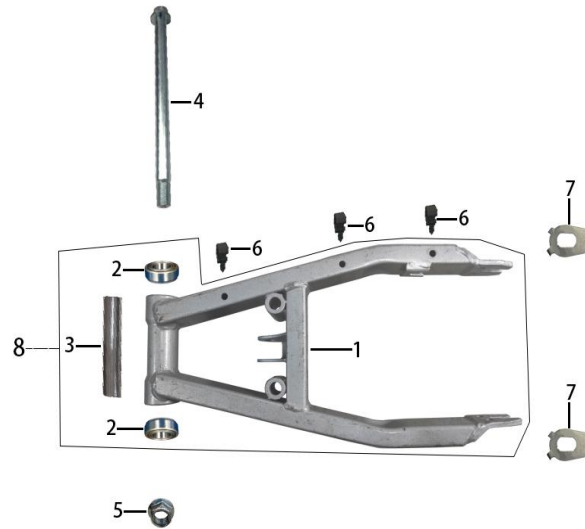
No.	Code	Name	Qty.
1	551000-0137-01	FRAME ASSY	1
2	908007-0010	RUBBER RING- $\Phi 9*12+\Phi 18*H7$	2

Sidestand & Footpegs Assy



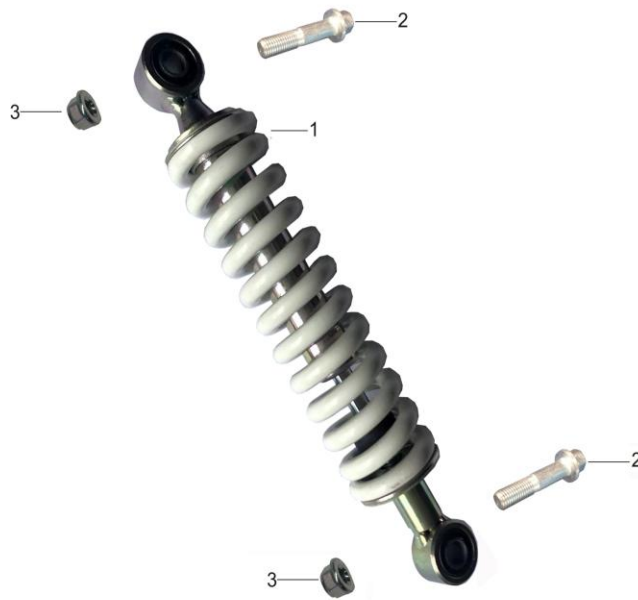
No.	Code	Name	Qty.
1	506003-0029	RIGHT FOOTPEG	1
2	506003-0028	LEFT FOOTPEG	1
3	407001-0014	FOOTPEG SPRING	2
4	904002-0002	COTTER PIN-2.5*24	2
4	904002-0002-03	COTTER PIN-2.5*24	2
5	904001-0001	PIN AXLE- $\Phi 8*42.5+\Phi 3*37.5$	2
6	903002-0011	WASHER- $\Phi 13*20*1.5$	1
6	903002-0011-02	WASHER- $\Phi 13*20*1.5$	1
7	407002-0001	SIDESTAND SPRING	1
8	554000-0043-02	SIDESTAND	1
8	554000-0043-03	SIDESTAND	1
9	903020-0001	STEP BOLT-M10*30*1.5 S17	1
9	903020-0001-03	STEP BOLT-M10*30*1.5 S17	1
10	903006-0005	FLANGE NUT-M10*1.5	1
10	903006-0005-03	FLANGE NUT-M10*1.5	1
11	903002-0004	WASHER- $\Phi 8*16*1.5$	2
11	903002-0004-03	WASHER- $\Phi 8*16*1.5$	2
12	C90002-0019-02	LEFT AND RIGHT FOOTPEGS ASSY	1
13	C90002-0039	SIDESTAND ASSY	

Swingarm Kit



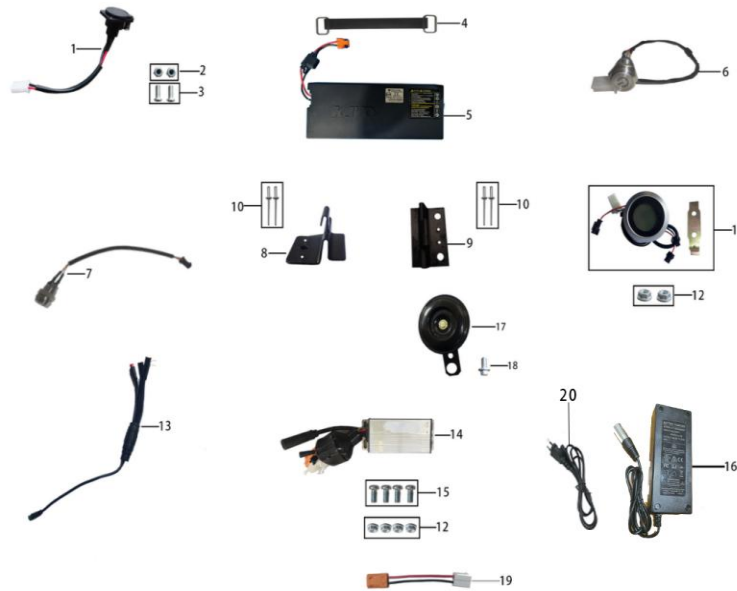
No.	Code	Name	Qty.
1	553000-0048-02	STEEL SWINGARM	1
1	553000-0048-04	STEEL SWINGARM	1
2	907001-0002	BEARING	2
3	902001-0113	FLAT BUSHING- $\Phi 10 * \Phi 18 * H87$	1
4	903018-0036	FLANGE BOLT-M10*130*1.25	1
4	903018-0036-02	FLANGE BOLT-M10*130*1.25	1
5	903007-0006	FLANG NUT-M10*1.25	1
5	903007-0006-02	FLANG NUT-M10*1.25	1
6	906003-0007	DOUBLE HOLE CLAMP	3
7	555000-0148	REAR WHEEL LIMIT SPACER	2
8	C90002-0140	SWINGARM ASSY	1

Rear Shock Assy



No.	Code	Name	Qty.
1	502000-0066	REAR SHOCK	1
2	903018-0032	FLANGE BOLT-M10*40*1.25	2
2	903018-0032-02	FLANGE BOLT-M10*40*1.25	2
3	903007-0006	FLANGE LOCK NUT- M10*1.25	2
3	903007-0006-02	FLANGE LOCK NUT- M10*1.25	2

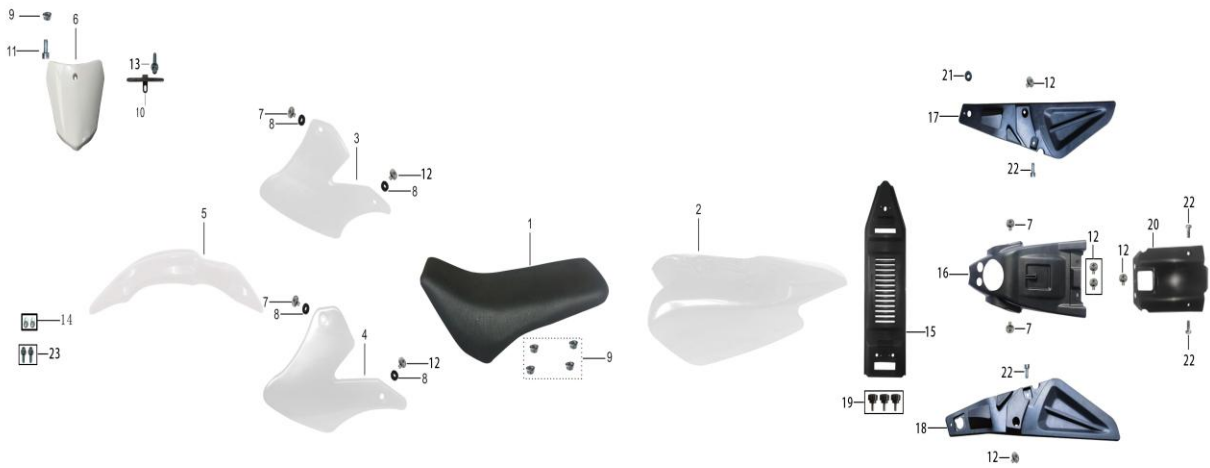
Electric Component Assy



No.	Code	Name	Qty.
1	316005-0012	CHARGING PORT	1
2	903008-0001	NUT-M3	2
2	903008-0001-02	NUT-M3	2
3	903009-0001	SCREW-M3*8	2
4	908007-0066	BATTERY BELT	1
5	312001-0052	LITHIUM BATTERY	1
5	312001-0055	LITHIUM BATTERY	1
6	313002-0010	START SWITCH	1
6	313002-0011	START SWITCH	1
7	313004-0010	UNLOCK SWITCH	1
8	315012-0031	BATTERY FRONT BRACKET	1
8	315012-0031-02	BATTERY FRONT BRACKET	1
9	315012-0032	BATTERY REAR BRACKET	1
9	315012-0032-02	BATTERY REAR BRACKET	1
10	905001-0003	BLIND RIVET- Φ3.5*12	4
11	311001-0029	SPEEDOMETER	1
12	903007-0001	FLANGE LOCKNUT-M5	6
12	903007-0001-03	FLANGE LOCKNUT-M5	6
13	309001-0157	MAIN CABLE	1
14	316001-0029	CONTROLLER	1
14	316001-0033	CONTROLLER	1
14	316001-0040	CONTROLLER	1

15	903009-0005	SCREW-M5*12	4
15	903009-0005-03	SCREW-M5*12	4
16	316002-0016	CHARGER	1
16	316002-0034	CHARGER	1
16	316002-0045	CHARGER	1
17	310001-0003	HORN	1
17	310001-0003-02	HORN	1
18	903018-0003	FLANGE BOLT-M6*12	1
18	903018-0003-03	FLANGE BOLT-M6*12	1
19	309002-0022	BATTERY CABLE	1
20	316006-0035	AC电源线	1

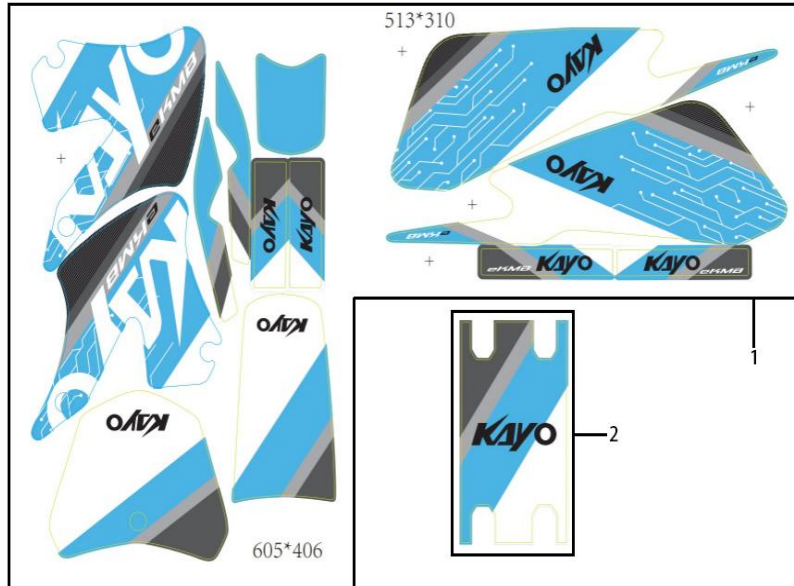
Plastic Kit



No.	Code	Name	Qty.
1	701000-0013	SEAT	1
2	801002-0003-02	REAR PANEL	1
3	801002-0002-02	FRONT RIGHT PANEL	1
4	801002-0001-02	FRONT LEFT PANEL	1
5	801002-0005-03	FRONT FENDER	1
6	801002-0004-03	FRONT PLATE	1
7	903012-0007	SCREW-TM6*16	4
7	903012-0007-03	SCREW-TM6*16	4
8	908003-0002	WASHER-Φ5.5*15*2	4
9	903006-0002	FLANG NUT-M6	5
9	903006-0002-03	FLANG NUT-M6	5
10	555000-0040	FRONT PLATE BRACKET	1
11	903013-0010	SCREW- M6*25	1
11	903013-0010-02	SCREW- M6*25	1
12	903012-0006	SCREW-TM6*12	7
12	903012-0006-03	SCREW-TM6*12	7
13	903018-0003	FLANGE BOLT- M6*12	1
13	903018-0003-03	FLANGE BOLT- M6*12	1
14	902002-0042	STEP SLEEVE	2
15	801002-0022	PLASTIC PLATE	1
16	801002-0018	UPPER COVER PLATE	1
17	801002-0020	SIDE PLATE-RH	1
18	801002-0019	SIDE PLATE-LH	1

19	903020-0044	SCREW-M8*20	3
20	801002-0021	REAR FENDER	1
20	801002-0021-02	PLASTIC REAR FENDER	1
21	103003-0002	RUBBER BUSHING-Φ9*20*10	1
22	903013-0004	SCREW-M6*12	4
22	903013-0004-02	SCREW-M6*12	4
23	903018-0004	FLANGE BOLT M6*16	2
23	903018-0004-03	FLANGE BOLT M6*16	2
	C90002-0051	PLASTIC KIT	1

Sticker



No.	Code	Name	Qty.
1	802002-0052	STICKER	1
1	802002-0052-02	STICKER	1
2	802002-0053	HANDLEBAR PAD COVER	1

Training Wheels Options



No.	Code	Name	Qty.
1	555000-0143-01	TRAIN WHEELS BRACKET	1
2	401005-0029	TRAINING WHEELS	2
3	903018-0035	BOLT-M10*70*1.25	2
3	903018-0035-02	BOLT-M10*70*1.25	2
4	903002-0008	WASHER-Φ10*20*2	2
4	903002-0008-03	WASHER-Φ10*20*2	2
5	903018-0032	BOLT-M10*40*1.25	2
5	903018-0012-03	BOLT-M8*40	2