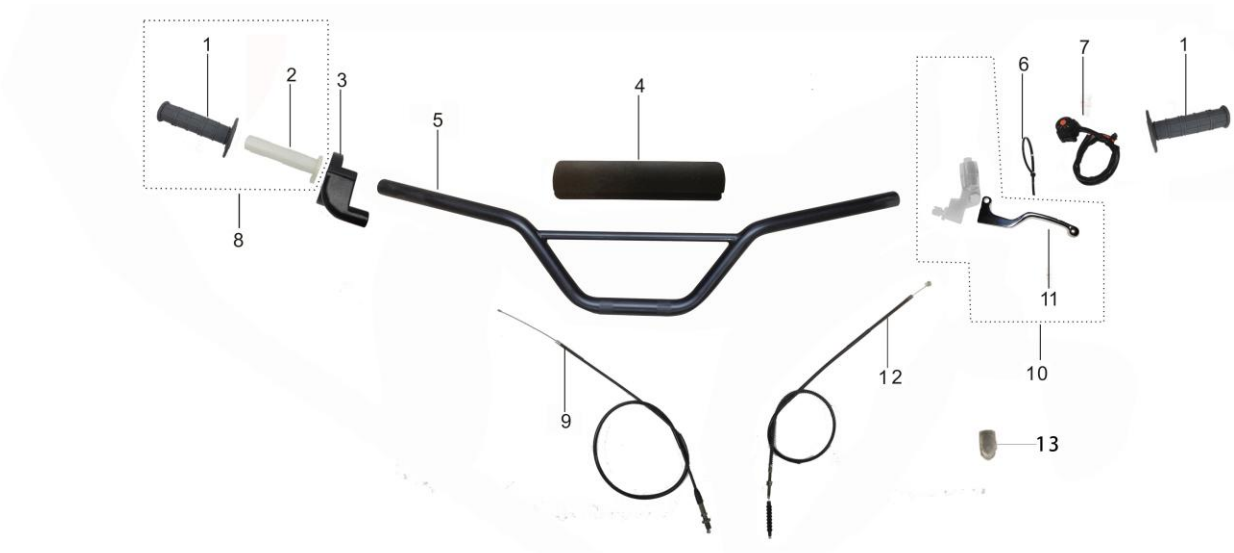


# TT160 Parts Catalog

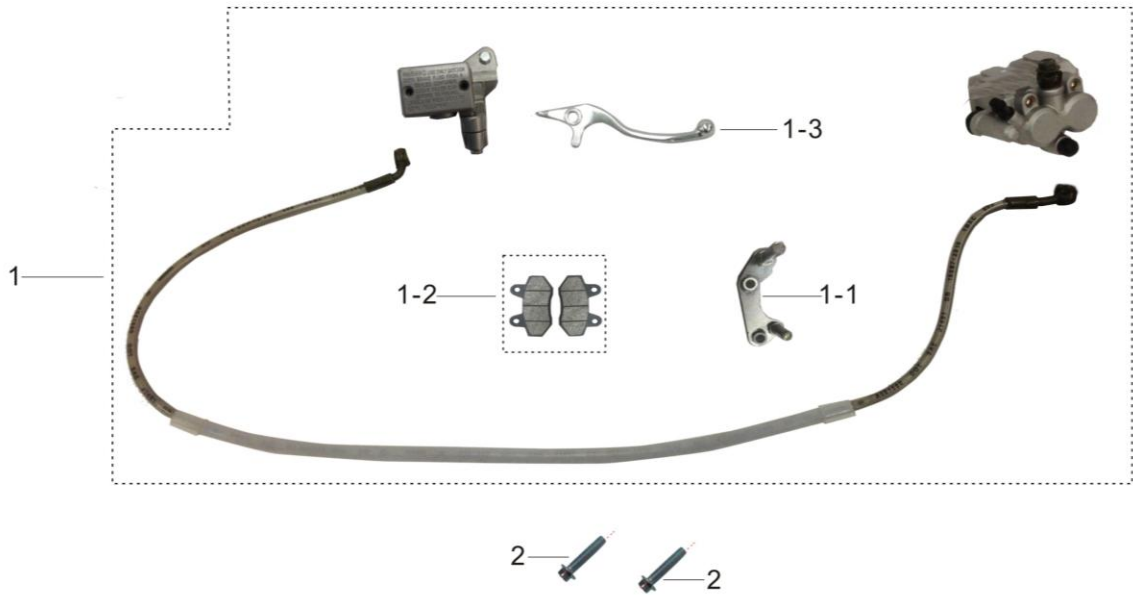


## Handlebar Assy



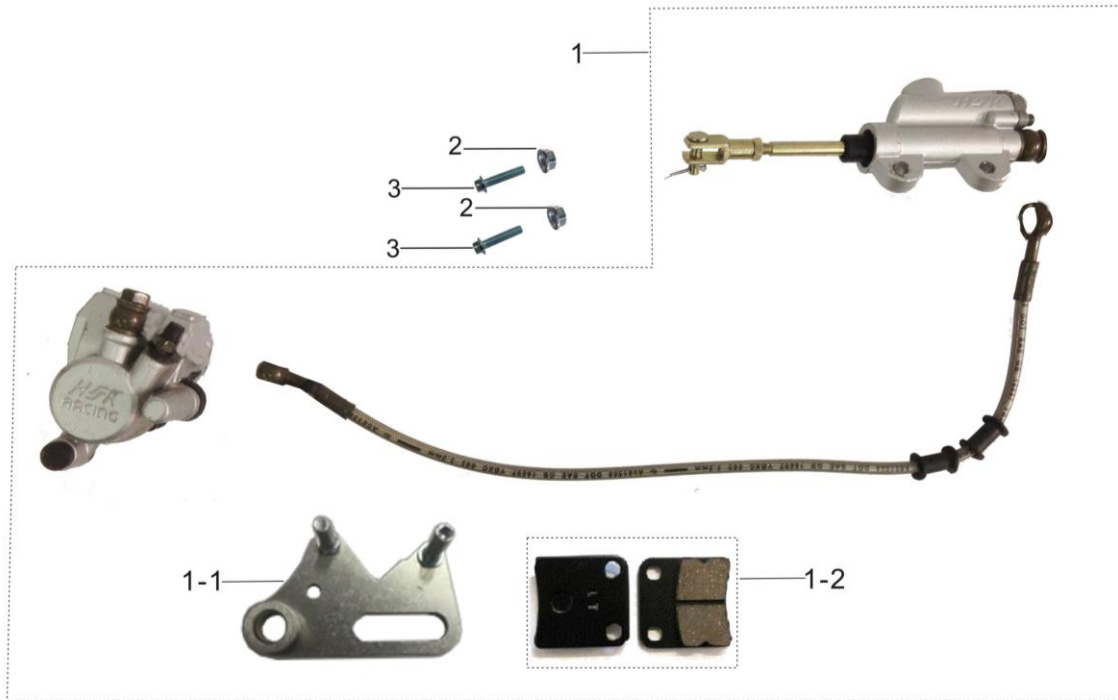
No.	Code	Name	Qty.
1	602006-0003-02	LEFT HANDLEBAR GRIP	2
2	602012-0001	THROTTLE TUBE	1
3	602011-0003	THROTTLE PERCH	1
4	602017-0002	HANDLEBAR PAD	1
5	602001-0002	STEEL HANDLEBAR	1
6	906003-0002	CABLE TIES	1
7	313003-0015	STOP SWITCH	1
7	313003-0015-02	STOP SWITCH	1
8	602006-0004-02	RIGHT HANDLEBAR GRIP (INCLUDING THROTTLE TUBE)	1
9	602014-0010	THROTTLE CABLE	1
10	602007-0024-02	CLUTCH LEVER ASSY	1
11	602009-0004	CLUTCH LEVER	1
12	602013-0013	CLUTCH CABLE	1
13	908004-0018	SILICONE PROTECTIVE CASE	1

## Front Brake Assy



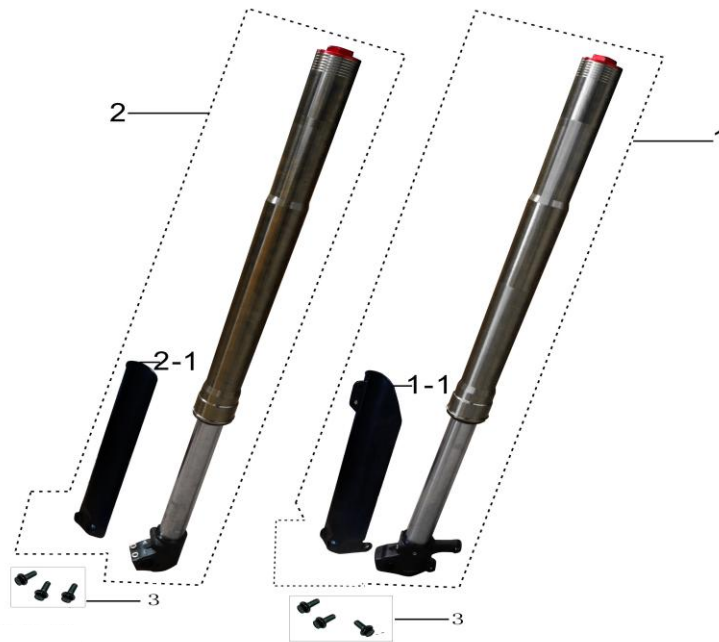
No.	Code	Name	Qty.
1	404000-0039	FRONT BRAKE ASSY	1
1-1	404008-0001	FRONT BRAKE BRACKET	1
1-2	404007-0004	FRONT BRAKE PAD	1
1-3	404002-0007	UNFOLD BRAKE LEVER	1
2	903019-0009	FLANGE BOLT-M6*32	2
2	903019-0009-03	FLANGE BOLT-M6*32	2

## Rear Brake Assy



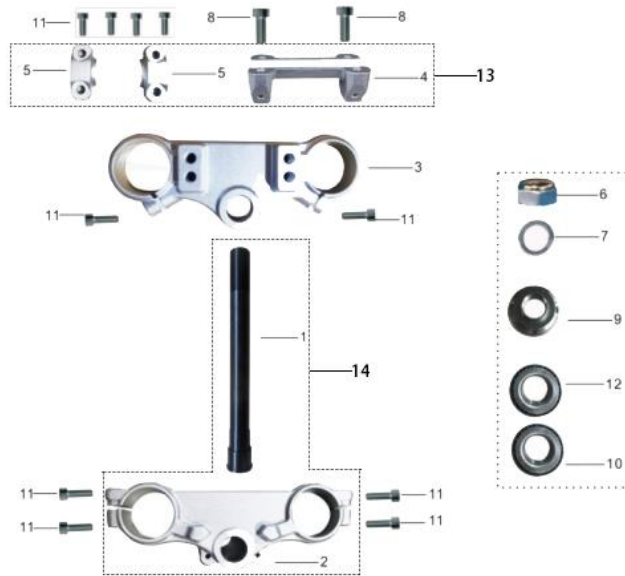
No.	Code	Name	Qty.
1	405000-0032-02	REAR BRAKE ASSY	1
1-1	405009-0004	REAR BRAKE BRACKET	1
1-2	405008-0001	REAR BRAKE PAD	1
2	903006-0002	FLANGE NUT-M6	2
2	903006-0002-03	FLANGE NUT-M6	2
3	903019-0005	FLANGE BOLT-M6*20	2
3	903019-0005-03	FLANGE BOLT-M6*20	2

## Front Shock Assy



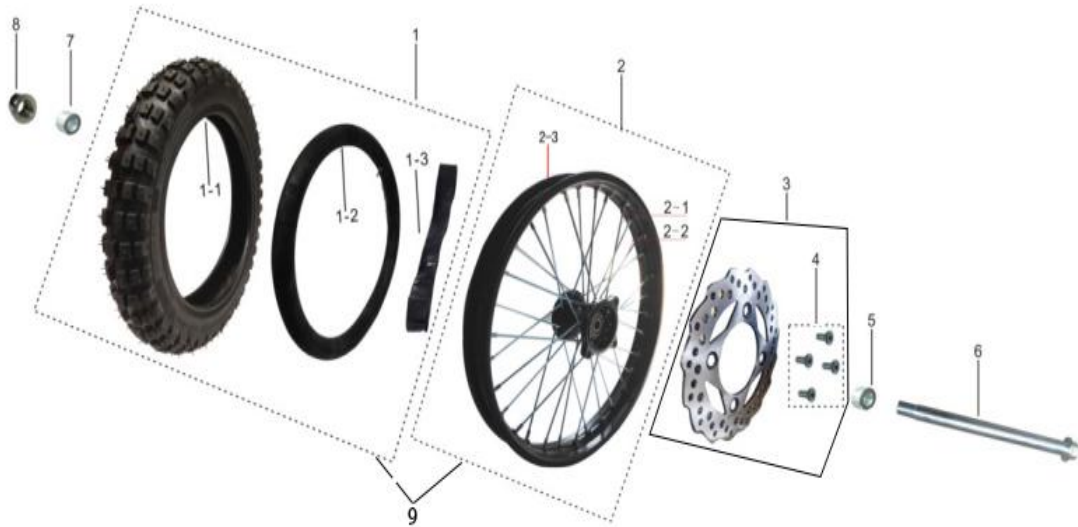
No.	Code	Model	Name
1	501000-0039-03	FRONT SHOCK, LH	1
1	501000-0039-02	FRONT SHOCK, LH	1
1-1	501001-0003	FRONT SHOCK GUARD, LH	1
2	501000-0040-03	FRONT SHOCK, RH	1
2	501000-0040-02	FRONT SHOCK, RH	1
2-1	501001-0004	FRONT SHOCK GUARD, RH	1
3	903018-0003	FLANGE BOLT-M6*12	6
3	903018-0003-03	FLANGE BOLT-M6*12	6

## Clamps Assy



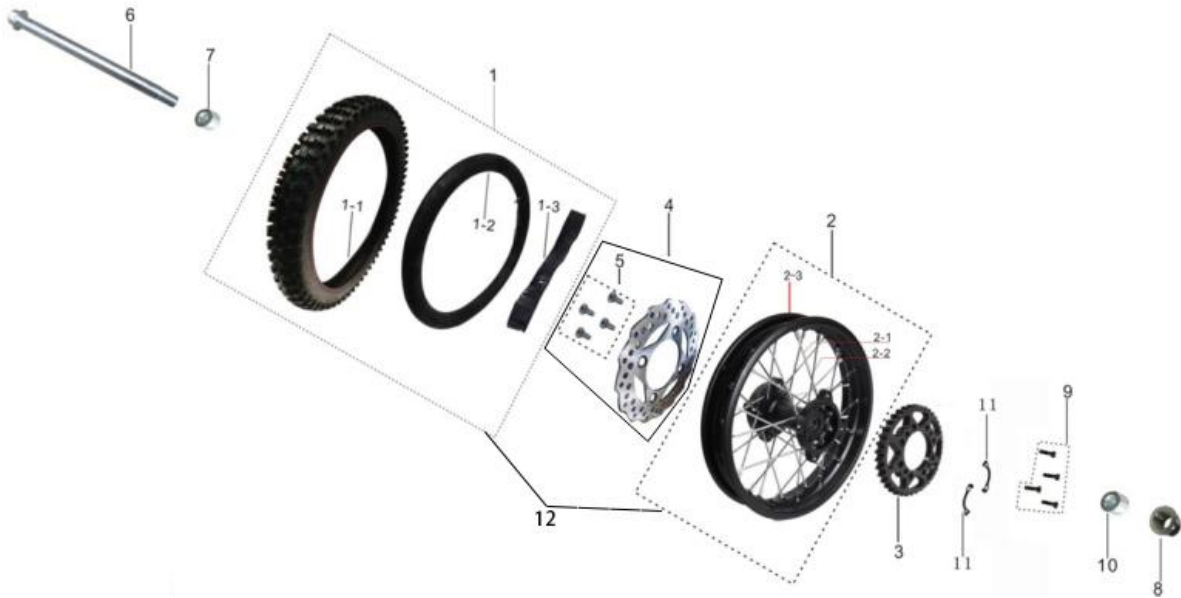
No.	Code	Name	Qty.
1	601006-0025	STEERING STEM	1
2	601002-0022	LOWER CLAMP	1
3	601001-0026	UPPER CLAMP	1
4	601004-0022	LOWER RAISER	1
5	601003-0017	UPPER RAISER	2
6	601005-0001	TOP NUT	1
7	601005-0012	WASHER- $\Phi 23 \times 36 \times 1.5$	1
8	903013-0036	SCREW-M10*30*1.5	2
8	903013-0036-02	SCREW-M10*30*1.5	2
9	601005-0008	DUST SEAL	1
10	907002-0007	BEARING-'320/23.5	1
11	903013-0020	SCREW-M8*25	10
11	903013-0020-05	SCREW-M8*25	10
12	907002-0006	BEARING-'320/22	1
13	C90002-0032	UPPER AND LOWER CLAMPING BLOCK ASSEMBLY	1
14	C90002-0011	LOWER TRIPLE CLAMP ASSEMBLY	1

## Front Wheel Assy



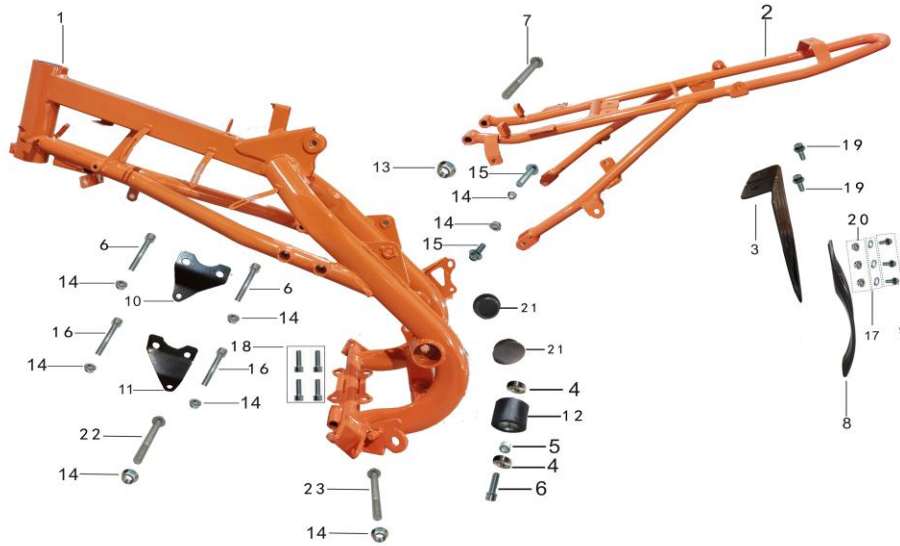
No.	Code	Name	Qty.
1	401005-0039	FRONT TYRE & INNER TUBE ASSY	1
1-1	401006-0049	FRONT TYRE	1
1-2	401007-0012	FRONT INNER TUBE	1
1-3	401008-0003	INNER TUBE BAND	1
2	401000-0026-02	FRONT WHEEL	1
2	401000-0026-07	FRONT WHEEL	1
2-1	401004-0009	INNER FRONT SPOKE 17'.	16
2-2	401004-0010	OUTER FRONT SPOKE 17'.	16
2-3	401002-0004	FRONT RIM	1
3	404001-0020	FRONT BRAKE DISC-WAVE	1
4	404011-0001	BOLT M8*16*1.25	4
5	902001-0067	FLAT BUSHING Φ15*25*H26	1
6	901001-0029	FLANGE AXLE Φ15*215*M14*1.5MM	1
7	902001-0062	WASHER-Φ15*25*H19	1
8	903007-0009	FLANGE LOCKNUT M14*1.5	1
8	903007-0009-02	FLANGE LOCKNUT M14*1.5	1
9	C90002-0096	FRONT WHEEL ASSY	1

## Rear Wheel Assy



No.	Code	Name	Qty.
1	402005-0039	REAR TYRE & INNER TUBE ASSY	1
1-1	402006-0040	REAR TYRE	1
1-2	402007-0009	REAR INNER TUBE	1
1-3	401008-0002	INNER TUBE BAND	1
2	402000-0030-02	REAR WHEEL	1
2	402000-0030-07	REAR WHEEL	1
2-1	402004-0007	OUTER REAR SPOKE 14'.	16
2-2	402004-0006	INNER REAR SPOKE 14'.	16
2-3	402002-0002	REAR RIM	1
3	205001-0036	STEEL REAR SPROCKET	1
3	205001-0015	STEEL REAR SPROCKET	1
4	405001-0018	REAR BRAKE DISC- WAVE	1
5	404011-0001	BOLT-M8*16*1.25	4
6	901001-0033	FLANGE AXLE-Φ15*225*M14*1.5MM	1
7	902001-0071	FLAT BUSHING-Φ15*25*H33	1
8	903007-0009	FLANGE LOCKNUT- M14*1.5	1
8	903007-0009-02	FLANGE LOCKNUT- M14*1.5	1
9	903014-0006	SCREW-M8*25	4
9	903017-0004	BOLT-M8*30+Φ8.2*5.5 S13	4
10	902001-0066	FLAT BUSHING-Φ15*25*H25	1
11	906004-0001	REAR SPROCKET LOCKING TAP	2
12	C90002-0097	REAR WHEEL ASSY	1

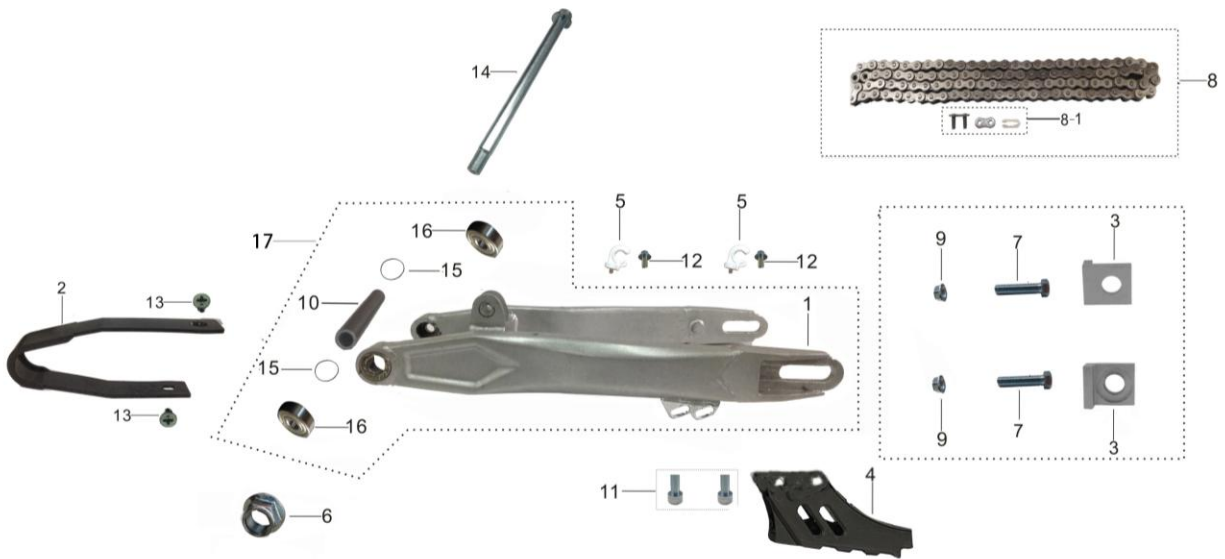
## Frame Assy



No.	Code	Name	Qty.
1	551000-0105-04	FRAME ASSY	1
2	552000-0026-05	SUB FRAME ASSY	1
3	555000-0055	FENDER BRACKET	1
4	907001-0001	BEARING	2
5	902001-0003	FLAT BUSHING $\Phi 8*12*H13$	1
6	903013-0025	SCREW-M8*45	3
7	901001-0003	FLANGE AXLE	1
8	801004-0008	REAR FENDER	1
9	903019-0004	FLANGE BOLT-M6*16	3
10	555000-0125	RIGHT LIFTING LUG	1
11	555000-0124	LEFT LIFTING LUG	1
12	203004-0014	CHAIN ROLLER- $\Phi 13*34.5*21.5$	1
13	903007-0006	FLANGE LOCKNUT-M10*1.25	1
13	903007-0006-02	FLANGE LOCKNUT-M10*1.25	1
14	903007-0005	FLANGE LOCKNUT-M8	8
15	903019-0015	FLANGE BOLT-M8*27	2
15	903019-0015-03	FLANGE BOLT-M8*27	2
16	903013-0024	SCREW-M8*40	2
17	903002-0002	WASHER- $\Phi 6*18*1.5$	3
17	903002-0002-03	WASHER- $\Phi 6*18*1.5$	3
18	903020-0016	SCREW-M8*25	4
18	903020-0016-02	SCREW-M8*25	4
19	903019-0012	FLANGE BOLT-M8*16	2

<b>No.</b>	<b>Code</b>	<b>Name</b>	<b>Qty.</b>
19	903019-0012-03	FLANGE BOLT-M8*16	2
20	903006-0002	FLANGE NUT-M6	3
20	903006-0002-03	FLANGE NUT-M6	3
21	908004-0008	PLUG- $\Phi$ 27+ $\Phi$ 33+ $\Phi$ 40*16.5	2
22	903018-0025	FLANGE BOLT-M8*115	1
23	903018-0022	FLANGE BOLT-M8*105	1

## Swingarm Kit



No.	Code	Name	Qty.
1	553000-0061	STEEL SWINGARM	1
2	203004-0031	CHAIN SLIDER	1
3	203002-0001-06	ALLOY CHAIN ADJUSTOR	2
4	203004-0036-01	CHAIN GUIDE	1
5	405010-0003	REAR BRAKE HOSE CLIP	2
6	903007-0008	FLANGE LOCKNUT-M12*1.25	1
6	903007-0008-02	FLANGE LOCKNUT-M12*1.25	1
7	903017-0007-03	BOLT-M8*40 S10	2
7	903017-0007-04	BOLT-M8*40 S10	2
8	203000-0068	CHAIN	1
8-1	203001-0004	CHAIN JOINT	1
9	903005-0006	NUT-M8	2

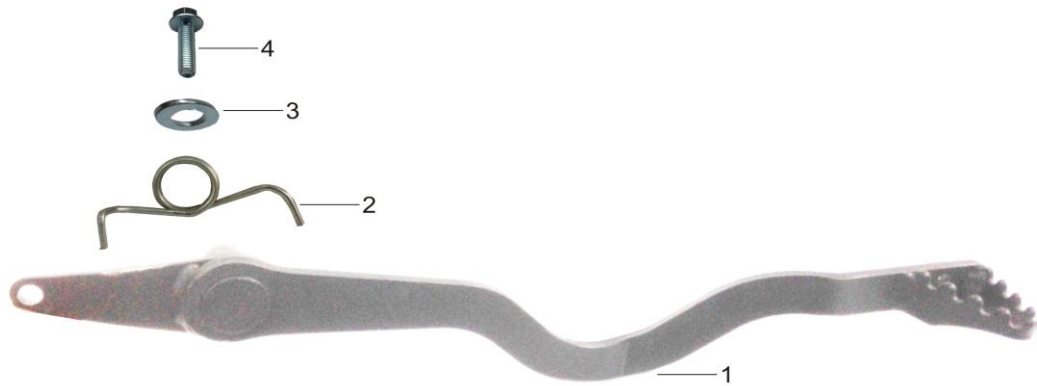
<b>No.</b>	<b>Code</b>	<b>Name</b>	<b>Qty.</b>
9	903005-0006-02	NUT-M8	2
10	902001-0112	BUSHING-Φ14*20.5*H154.5	1
11	903020-0016	SCREW-M8*25	2
11	903020-0016-02	SCREW-M8*25	2
12	903019-0002	FLANGE BOLT-M6*12	2
13	903011-0002	SCREW-M6*12	2
13	903011-0002-03	SCREW-M6*12	2
14	901001-0018	FLANGE AXLE-Φ12*205*M12*1.25MM	1
15	908005-0006	RUBBER O-WASHER-Φ16*3.1	2
16	907001-0015	BEARING	2
17	C90002-0013	STEEL SWINGARM ASSEMBLY	1

## Rear Shock Assy



No.	Code	Name	Qty.
1	502000-0035	REAR SHOCK ASSY	1
2	901001-0001	FLANGE AXLE-Φ10*45*M10*1.25MM	1
3	903007-0006	FLANGE LOCKNUT-M10*1.25	1
3	903007-0006-02	FLANGE LOCKNUT-M10*1.25	1

## Foot Brake Lever Assy



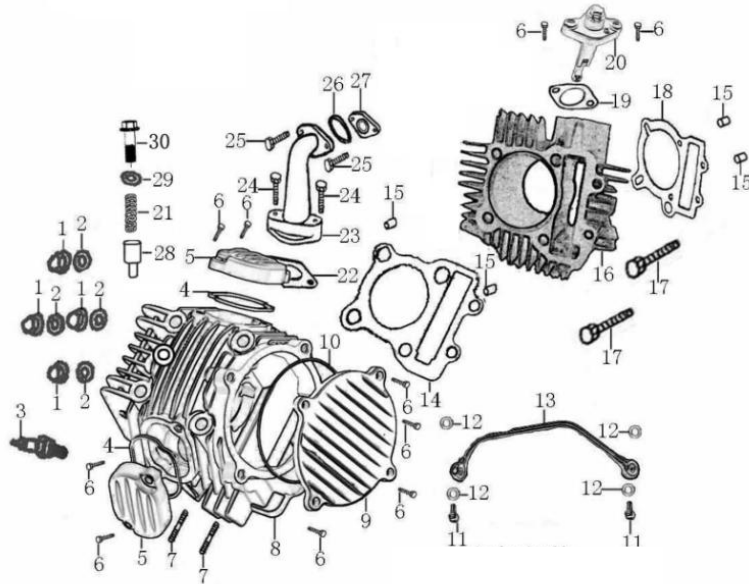
No.	Code	Name	Qty.
1	406001-0033-02	FOOT BRAKE LEVER	1
2	407003-0009	BRAKE SPRING	1
2	407003-0009-03	BRAKE SPRING	1
3	903002-0005	WASHER-Φ8*28*1.5	1
3	903002-0005-03	WASHER-Φ8*28*1.5	1
4	903019-0012	FLANGE BOLT-M8*16	1
4	903019-0012-03	FLANGE BOLT-M8*16	1

# Engine Assy



No.	Code	Model	Name
1	101000-0253-02	ENGINE ASSY	1

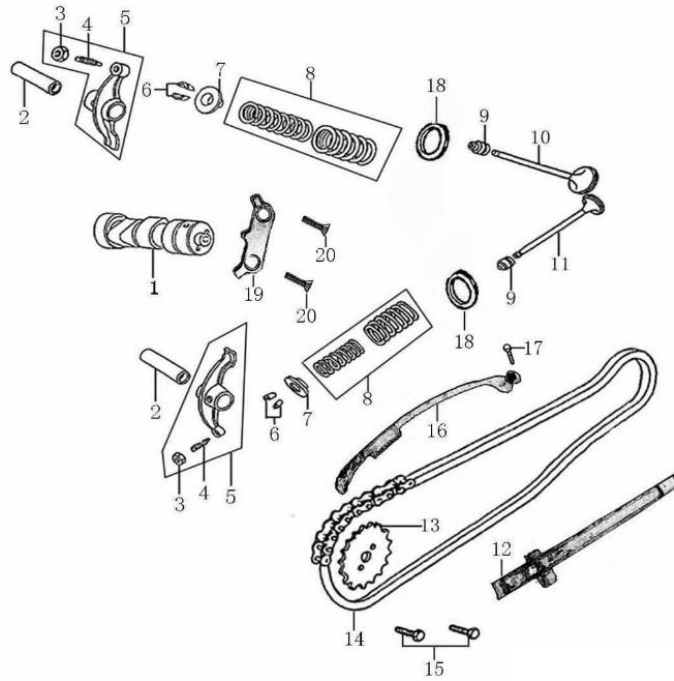
## CYLINDER ASSY



No.	Code	Name	Qty.
1	101027-0279	NUT, M8	4
2	101037-0009	WASHER, $\Phi 8.5 \times 2 \times \Phi 18$	4
3	101027-0281	SPARK PLUG (A7TC)	1
4	101027-0282	LIFTER ASSY	2
5	101027-0283	CYLINDER HEAD COMP	2
6	101027-0284	BOLT, M6 $\times$ 18	10
7	101027-0285	STUD, M8 $\times$ 45	2
8	101027-0286	CYLINDER HEAD ASSEMBLY	1
9	101027-0287	L. COVER	1
10	101027-0288	GASKET, L. COVER	1
11	101027-0289	BOLT, M8 $\times$ 23	2
12	101027-0290	WASHER, 8.2 $\times$ 1 $\times$ 14	4
13	101027-0291	VITTA	1
14	101027-0292	GASKET ASSEMBLY, CYLINDER HEAD	1
15	101027-0293	PIN, 10 $\times$ 14	4
16	101027-0294	ASSEMBLY, CYLINDER BLOCK	1
17	101027-0295	BOLT, M6 $\times$ 105	2
18	101027-0296	GASKET, CYLINDER BLOCK	1
19	101027-0297	INLET PIPE, (JQ-9L)	1
20	101027-0298	GASKET, INLET PIPE	1
21	101027-0310	SPRING	1

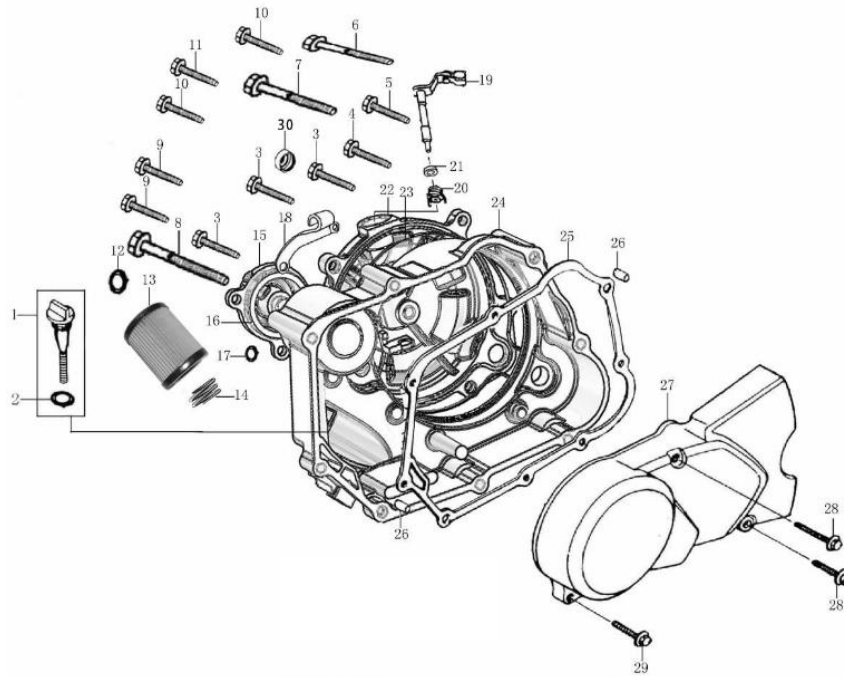
22	101027-0300	GASKET, INLET PIPE	1
23	101027-0301	ASSEMBLY, INLET PIPE(JQ-9L)	1
24	101027-0302	BOLT, M6×25	2
25	101027-0303	BOLT, M6×30	2
26	101027-0304	O-RING, 29×2.4	1
27	101027-0305	GASKET, CARBURETOR	1
28	101027-0311	JIB	1
29	101027-0309	WASHER, 6.2×1.5×13	1
30	101027-0308	BOLT, M6×12	1

## VALVE MECHANISM



No.	Code	Name	Qty.
1	101027-0312	CAMSHAFT PARTS	1
2	101027-0313	SHAFT, VALVE ROCKER ARM	2
3	101027-0314	ADJUSTING NUT, VALVE CLEARANCE	2
4	101027-0315	ADJUSTING SCREW, VALVE CLEARANCE	2
5	101027-0316	ASSEMBLY, VALVE ROCKER ARM	2
6	101027-0317	VALVE COTTER	4
7	101027-0318	RETAINER, VALVE SPRING	2
8	101027-0319	VALVE INNER SPRING	2
9	101027-0320	VALVE STEM SEAL ASSEMBLY	2
10	101027-0321	INLET VALVE	1
11	101027-0322	EXHAUST VALVE	1
12	101027-0323	GUIDE PLATE CHAIN	1
13	101027-0324	TIMING DRIVEN SPROCKET (32)	1
14	101027-0325	ASSEMBLY, TIMING CHAIN (90)	1
15	101027-0326	BOLT, M6x12	2
16	101027-0327	WASHER, 8.5x1.5x14 (ALUMINIUM)	1
17	101027-0328	PIN SHAFT, GUIDE ROLLER(M8x27.5 )	1
18	101027-0329	RETAINER, VALVE SPRING	2
19	101027-0330	BAFFLE	1
20	101027-0331	BLOT, M6x12	2

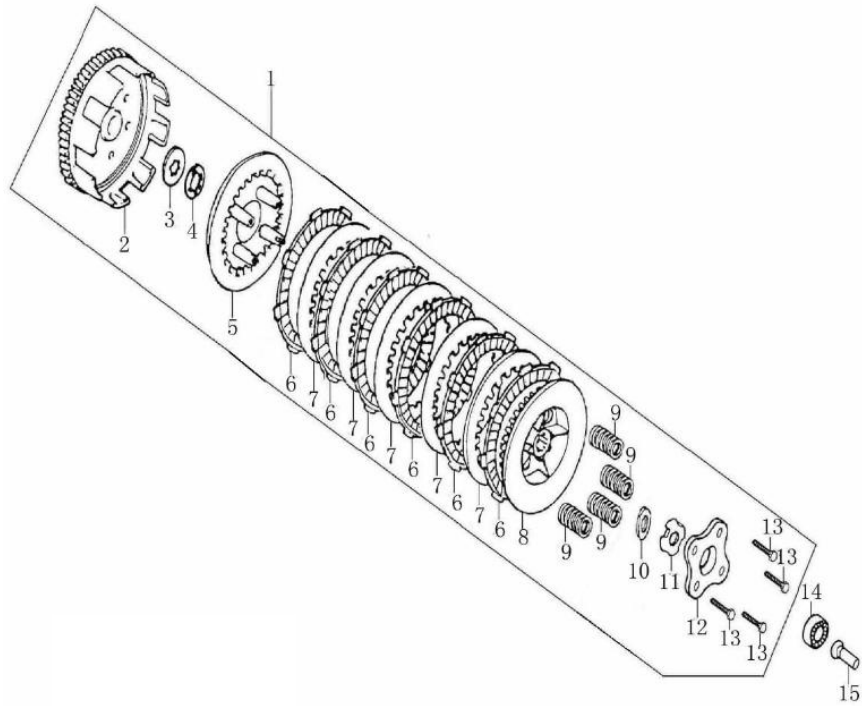
## CRANKCASE COVER



No.	Code	Name	Qty.
1	101027-0332	DIPSTICK	1
2	101027-0333	O-RING, 18×3	1
3	101027-0334	BOLT, M6×40	3
4	101027-0335	BOLT, M6×45	1
5	101027-0336	BOLT, M6×65	1
6	101027-0337	BOLT, M6×90	1
7	101027-0338	BOLT, M6×95	1
8	101027-0339	BOLT, M6×125	1
9	101027-0340	BOLT, M6×16	2
10	101027-0341	BOLT, M6×32	2
11	101027-0342	BOLT, M6×20	1
12	101027-0343	O-RING, 5×1.8	1
13	101027-0344	OIL FILTER	1
14	101027-0345	SPRING, OIL FINE FILTER	1
15	101027-0346	CAP, OIL FILTER	1
16	101027-0347	O-RING, 44×2.5	1
17	101027-0348	O-RING, 6.5×1.8	1
18	101027-0349	STEEL BRACKET, CLUTCH	1
19	101027-0350	ASSEMBLY, RIGHT CRANKCASE COVER	1
20	101027-0351	SPRING, CONTROLLING ARM, CLUTCH	1
21	101027-0352	OIL SEAL, 12×18×5	1
22	101027-0353	DECORATE COVER, R. CRANKCASE COVER	1

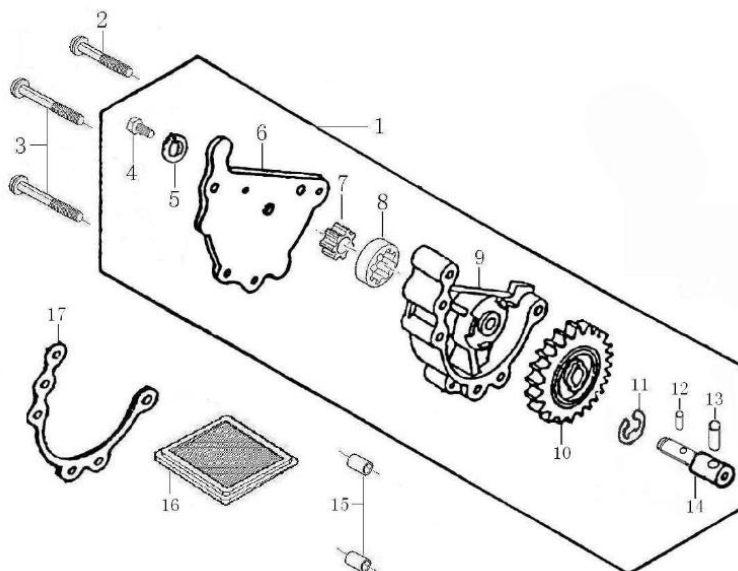
23	101027-0354	RING	1
24	101027-0755	RIGHT CRANKCASE BLOCK	1
25	101027-0356	GASKET, R. CRANKCASE COVER	1
26	101027-0357	DOWEL PIN, 8×12×6.3	2
27	101027-0358	SIDE COVER, LEFT CRANKCASE	1
28	101027-0359	BOLT, M6×35	2
29	101027-0360	BOLT, M6×28	1
30	101038-0332	OIL SEAL, 13.8×24×5	1

## CLUTCH ASSY



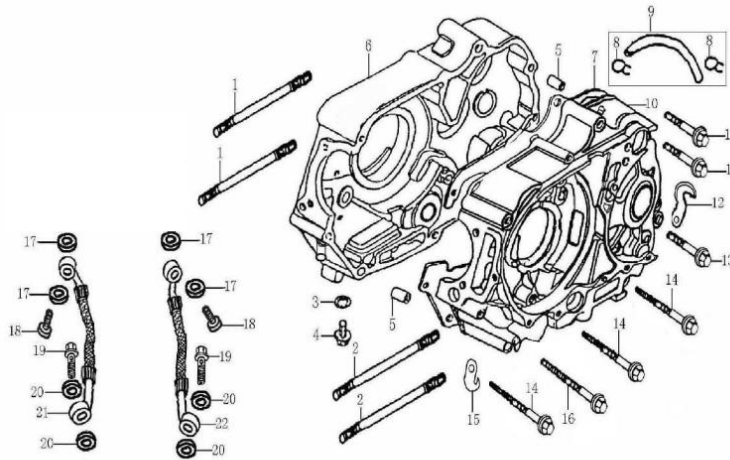
No.	Code	Name	Qty.
1	101027-0361	CLUTCH ASSEMBLY	1
2	101027-0362	OUT CASE ASSEMBLY, CLUTCH	1
3	101027-0363	SPRINE WASHER, CLUTCH $\Phi 28 \times 2.6$	1
4	101027-0364	FIXING RING, CLUTCH	1
5	101027-0365	PRESSURE PLATE, CLUTCH	1
6	101027-0366	FRICTION PLATE, DRIVE, CLUTCH	6
7	101027-0367	FRICTION PLATE, DRIVEN, CLUTCH	5
8	101027-0368	CENTER SLEEVE, CLUTCH	1
9	101027-0369	SPRING, CLUTCH	4
10	101027-0370	THRUST WASHER	1
11	101027-0371	NUT, M14 $\times$ 1	1
12	101027-0372	END COVER, CLUTCH	1
13	101027-0373	BOLT, M6 $\times$ 22	4
14	101027-0374	BEARING, 6000	1
15	101027-0375	PUSH ROD, CLUCTH	1

## OIL PUMP



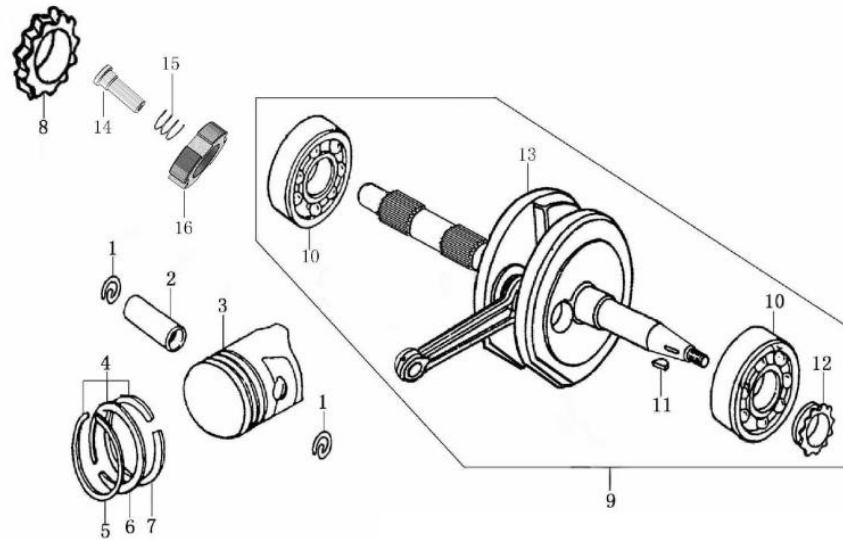
No.	Code	Name	Qty.
1	101027-0376	OIL PUMP	1
2	101027-0377	SCREW, M6×35	1
3	101027-0378	SCREW, M6×40	2
4	101027-0379	BOLT, M5×12	1
5	101027-0380	WASHER 5	1
6	101027-0381	COVER, OIL PUMP	1
7	101027-0382	INNER ROTOR, OIL PUMP	1
8	101027-0383	OUTER ROTOR, OIL PUMP	1
9	101027-0384	CASE, OIL PUMP	1
10	101027-0385	GEAR, OIL PUMP	1
11	101027-0386	WASHER 6	1
12	101027-0387	PIN, 2.5×10	1
13	101027-0388	PIN, 3.0×16	1
14	101027-0389	SHAFT, OIL PUMP	1
15	101027-0390	DOWEL PIN, 8×12×6.3	2
16	101027-0391	ASSEMBLY, OIL FILTER SCREEN	1
17	101027-0392	GASKET, OIL PUMP	1

## CRANKCASE



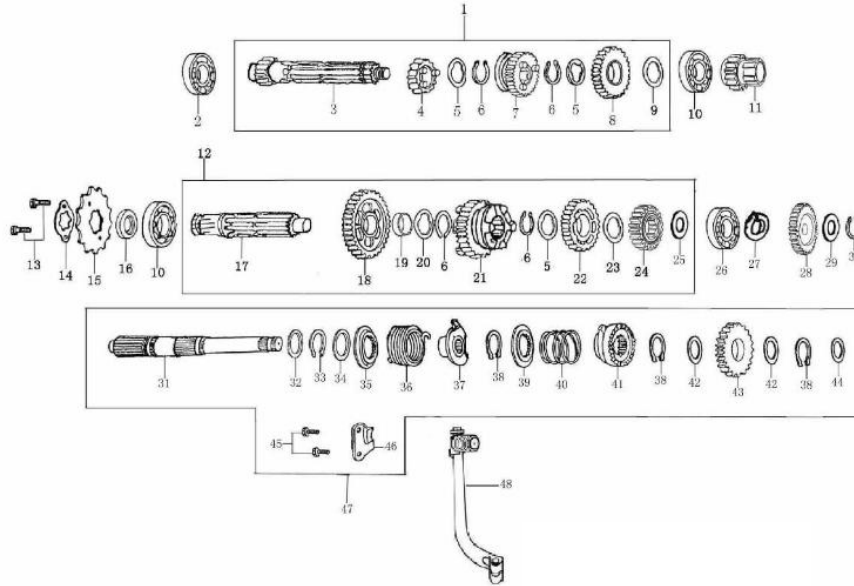
No.	Code	Name	Qty.
1	101027-0393	CYLINDER STUD BOLT B	2
2	101027-0394	CYLINDER STUD BOLT A	2
3	101027-0395	WASHER 12.5×1.5×20 (ALUMINIUM)	1
4	101027-0396	OIL DRAIN PLUG	1
5	101027-0397	DOWEL PIN, 10×14	2
6	101027-0398	ASSEMBLY, RIGHT CRANKCASE	1
7	101027-0399	GASKET, CRANKCASE	1
8	101027-0400	CLIP, BREATHER TUBE	2
9	101027-0401	BREATHER PIPE (1#)	1
10	101027-0402	ASSEMBLY, LEFT CRANKCASE	1
11	101027-0403	BOLT, M6×60	2
12	101027-0404	CLIP, HIGH VOLTAGE WIRE	1
13	101027-0405	BOLT, M6×50	1
14	101027-0406	BOLT, M6×65	3
15	101027-0407	CLIP, OVERFLOW PIPE	1
16	101027-0415	BOLT, M6×80	1
17	101027-0409	WASHER, 12.5×1.4×19	4
18	101027-0410	BLOT, M12×1.25	2
19	101027-0411	BLOT, M8×23	2
20	101027-0412	WASHER, 10×1×14	4
21	101027-0413	RETURN OF VITTA	1
22	101027-0414	ENTER OF VITTA	1

## CRANKSHAFT/PISTON/CONNECTING ROD COMP



No.	Code	Name	Qty.
1	101027-0416	CIRCLIP, PISTON PIN	2
2	101027-0417	PIN, PISTON	1
3	101027-0418	PISTON	1
4	101027-0419	ASSEMBLY, PISTON RING	1
5	101027-0420	PISTON RING (1ST)	1
6	101027-0421	PISTON RING (2ND)	1
7	101027-0422	ASSEMBLY, OIL RING	1
8	101027-0423	DRIVE GEAR, OIL PUMP	1
9	101027-0424	ASSEMBLY, CRANK SHAFT CONNECTING ROD	1
10	101027-0425	BEARING (TM-SC04A86/P5CS12 56x22x15)	2
11	101027-0426	SEMICIRCULAR KEY, 4x12.5	1
12	101027-0427	TIMING DRIVE SPROCKETT	1
13	101027-0428	CRANK SHAFT CONNECTING ROD	1
14	101027-0429	CRANKSHAFT OIL INLET SLEEVE	1
15	101027-0430	OIL TUBE SPRING	1
16	101027-0431	NUT	1

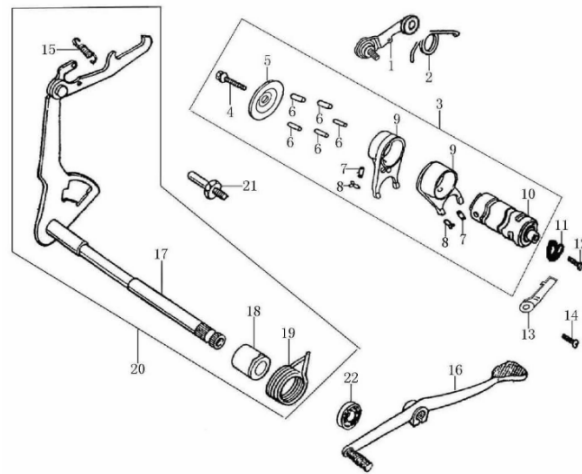
# TRANSMISSION MECHANISM



No.	Code	Name	Qty.
1	101027-0432	MAINSHAFT ASSEMBLY	1
2	101027-0433	BEARING, 6001	1
3	101027-0434	PIVOT, MAINSHAFT	1
4	101027-0435	MAINSHAFT 2ND SPEED GEAR	1
5	101027-0436	SPLINE WASHER, 15.5(17.2)×1.2×21	3
6	101027-0437	CIRCLIP, MAINSHAFT GEAR	4
7	101027-0438	MAINSHAFT 3RD SPEED GEAR	1
8	101027-0439	MAINSHAFT 4TH SPEED GEAR	1
9	101027-0440	WASHER, 7.1×0.5×26	1
10	101027-0441	BEARING, 6203	2
11	101027-0442	STARTING GEAR	1
12	101027-0443	ASSEMBLY, COUNTERSHAFT	1
13	101027-0444	BOLT, M6×10	2
14	101027-0445	LOCATING PLATE	1
15	101027-0446	DRIVE SPROCKET, 428.15	1
16	101027-0447	OIL SEAL, 17×29×5	1
17	101027-0448	PIVOT, COUNTERSHAFT	1
18	101027-0449	COUNTERSHAFT 1ST SPEED GEAR	1
19	101027-0450	SLEEVE, COUNTERSHAFT GEAR 20×19	1

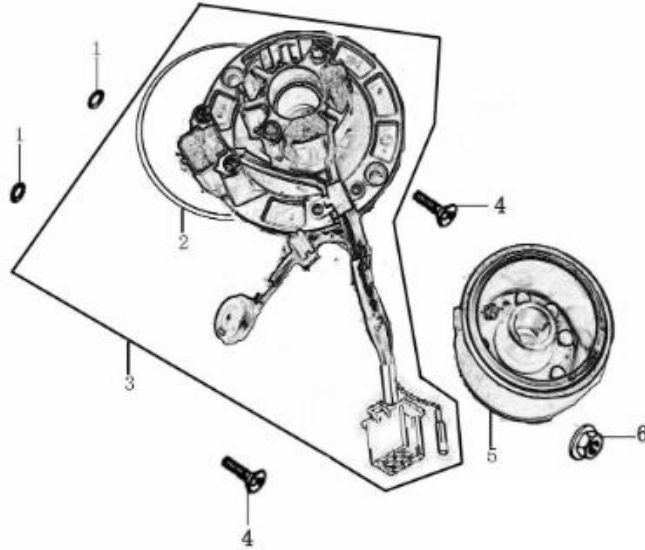
20	101027-0451	SPLINE WASHER, 15.5(17.2)×1.2×23	1
21	101027-0452	COUNTERSHAFT 2ND SPEED GEAR	1
22	101027-0453	COUNTERSHAFT 3RD SPEED GEAR	1
23	101027-0454	CIRCLIP 17.2×1.0×26	1
24	101027-0455	COUNTERSHAFT 4TH SPEED GEAR	1
25	101027-0456	WASHER, 15.2×0.5×23	1
26	101027-0457	BEARING , 6002SKF	1
27	101027-0458	WASHER, 15.2×1.5×25	1
28	101027-0459	IDLE GEAR, COUNTERSHAFT STARTING	1
29	101027-0460	WASHER, 15.2×1×25	1
30	101027-0461	CIRCLIP 15	1
31	101027-0462	PIVOT, KICK STARTING SHAFT	1
32	101027-0463	WASHER, 14.1×0.5×22	1
33	101027-0464	CHECK RING, $\Phi$ 15.5×1.2× $\Phi$ 19	1
34	101027-0465	WASHER, 17.2×1×24	1
35	101027-0466	SEAT, SPRING, KICK STARTING SHAFT	1
36	101027-0467	RETURN SPRING, KICK STARTING SHAFT	1
37	101027-0468	ASSEMBLY, COUNTERSHAFT	1
38	101027-0469	CIRCLIP, $\Phi$ 18.5×1.2× $\Phi$ 22.1	3
39	101027-0470	SEAT, RATCHET WHEEL	1
40	101027-0471	SPRING, KICK STARTING RATCHET WHEEL	1
41	101027-0472	RATCHET WHEEL, KICK STARTER	1
42	101027-0473	WASHER, 20.1×1×27	2
43	101027-0474	GEAR, KICK STARTER	1
44	101027-0475	WASHER, 14.1×1×22	1
45	101027-0476	BOLT, M6×18	2
46	101027-0477	GUIDE PLATE, RATCHET WHEEL	1
47	101027-0478	KICK STARTING SHAFT ASSEMBLY	1
48	101027-0479	KICK STARTING SHAFT	1

## GEARSHIFT MECHANISM



No.	Code	Name	Qty.
1	101027-0480	LOCATING PLATE UNIT	1
2	101027-0481	SPRING, LOCATING PLATE	1
3	101027-0482	ASSEMBLY, GEARSHIFT DRUM	1
4	101027-0483	BOLT, M6×20	1
5	101027-0484	STOPPING PLATE	1
6	101027-0485	PIN, GEARSHIFT DRUM 4×13	5
7	101027-0486	GUIDE PIN	2
8	101027-0487	CLIP, SPRING	2
9	101027-0488	GEARSHIFT FORK	2
10	101027-0489	GEARSHIFT DRUM	1
11	101027-0490	CONTACT, GEAR INDICATION	1
12	101027-0491	SCREW	1
13	101027-0492	GEARSHIFT SWITCH PRESSING PLATE	1
14	101027-0493	SCREW, M6×12	1
15	101027-0494	SPRING, GEARSHIFT LEVER TENSION	1
16	101027-0495	ASSEMBLY, GEARSHIFT PEDAL (BT-4)	1
17	101027-0496	GEARSHIFT SHAFT	1
18	101027-0497	BUSH	1
19	101027-0498	RETURN SPRING, GEARSHIFT LEVER	1
20	101027-0499	ASSEMBLY, GEARSHIFT LEVER	1
21	101027-0500	BOLT, M8×11	1
22	101027-0501	OIL SEAL, 11.6×24×10	1

## MAGNETO COMP



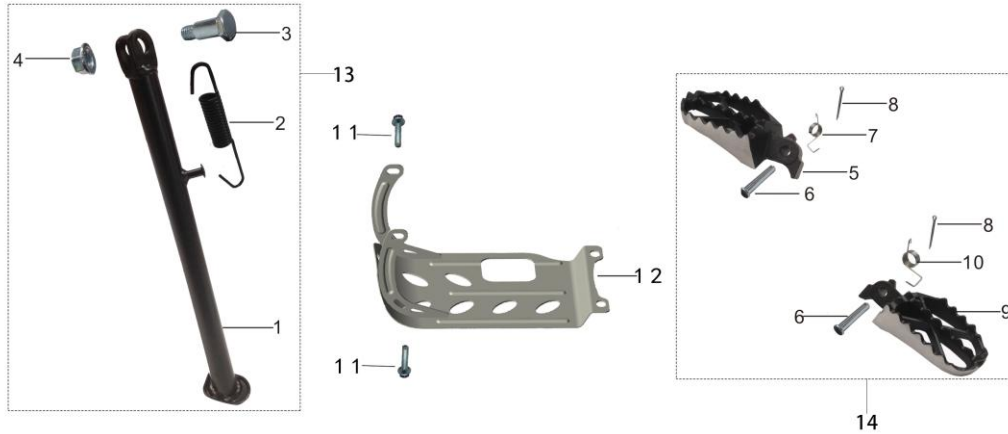
No.	Code	Name	Qty.
1	101027-0502	O-RING, 6.5×1.8	2
2	101027-0503	O-RING, 106.8×2	1
3	101027-0504	STATOR ASSEMBLY, MAGNETO	1
4	101027-0505	SCREW, M6×16	2
5	101027-0506	ROTOR ASSEMBLY, MAGNETO	1
6	101027-0507	NUT	1

## Oil Cooler Assy



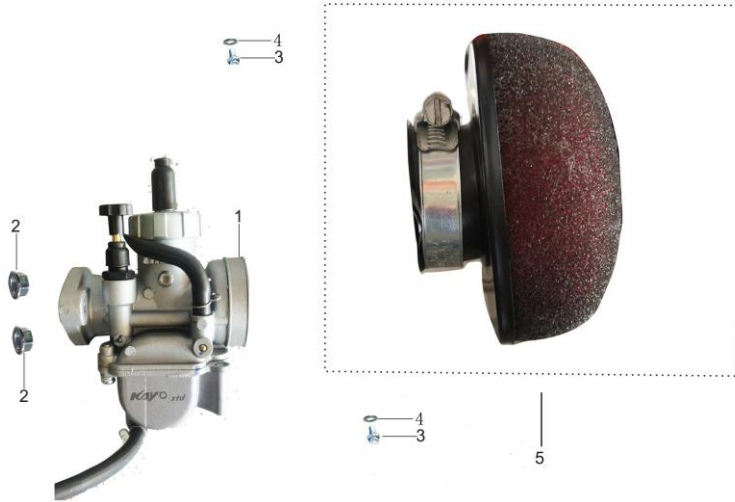
No.	Code	Name	Qty.
1	103001-0003	OIL COOLER	1
1	103001-0003-02	OIL COOLER	1
2	903006-0002	NUT-M6	2
2	903006-0002-03	NUT-M6	2
3	101027-0413	OIL COOLER PIPE -L:300	1
4	103003-0002	RUBBER BUSHING-Φ9*20*10	2
5	903019-0007	FLANGE BOLT-M6*25	2
6	103003-0001	BUSHING-Φ6.5*9*10+Φ20*2	2
7	101027-0414	OIL COOLER PIPE -L:340	1

## Sidestand & Footpegs Assy



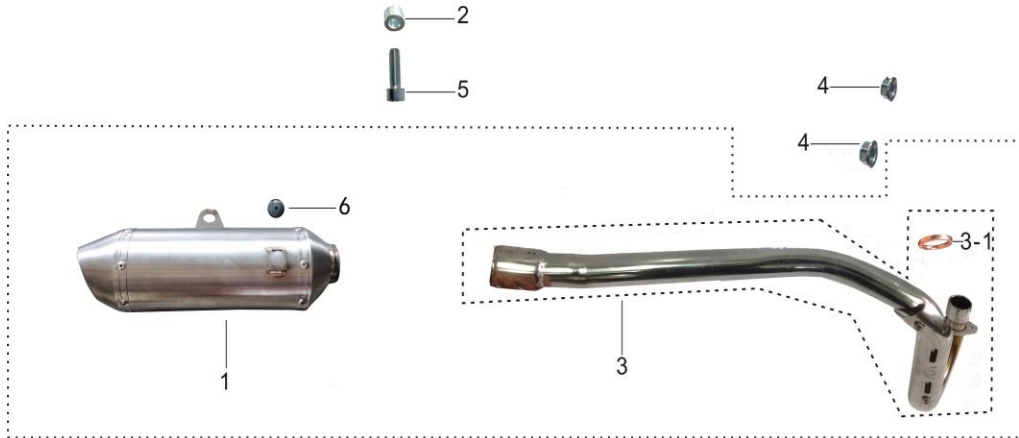
No.	Code	Name	Qty.
1	554000-0032	SIDESTAND	1
2	407002-0001	SIDESTAND SPRING	1
3	903020-0001	BOLT-M10*30*1.5 S17	1
3	903020-0002	BOLT-M10*35*1.5 S17	1
3	903020-0002-03	BOLT-M10*35*1.5 S17	1
4	903006-0005	FLANGE NUT-M10*1.5	1
4	903007-0007	FLANGE NUT-M10*1.5	1
4	903007-0007-03	FLANGE NUT-M10*1.5	1
5	506003-0013-01	RIGHT FOOTPEG	1
6	904001-0002	HINGE PIN	2
7	407001-0007	RIGHT FOOTPEG SPRING	1
8	904002-0002	COTTER PIN	2
8	904002-0002-03	COTTER PIN	2
9	506003-0012-01	LEFT FOOTPEG	1
10	407001-0006	LEFT FOOTPEG SPRING	1
11	903019-0004	BOLT-M6*16	2
12	109001-0008-02	ENGINE BASH PLATE	1
13	C90002-0014-02	STRAIGHT SIDE STAND ASSEMBLY	1
14	C90002-0015-02	CAST STEEL FOOTREST ASSEMBLY	1

## Carburetor & Air Filter Assy



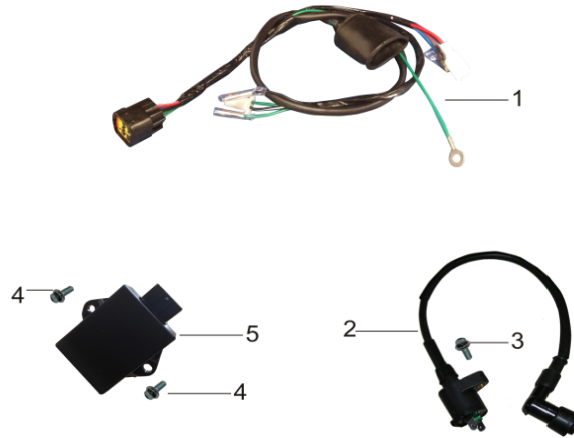
No.	Code	Name	Qty.
1	102000-0046	CARBURETOR	1
2	903006-0002	FLANGE NUT-M6	2
2	903006-0002-03	FLANGE NUT-M6	2
3	903018-0005	FLANGE BOLT-M6*20	2
3	903018-0005-03	FLANGE NUT-M6*20	2
4	903002-0002	WASHER-Φ6*18*1.5	2
4	903002-0002-03	WASHER-Φ6*18*1.5	2
5	105000-0033	AIR FILTER ASSY	1
5	105000-0035	SPONGE AIR FILTER	1

## Muffler Assy



No.	Code	Name	Qty.
1	106002-0038	MUFFLER	1
2	902001-0009	FLAT BUSHING-Φ8*20*H14	1
3	106001-0106	EXHAUST PIPE	1
3-1	106003-0002	MUFFLER SEAL	1
4	903007-0003	FLANGE LOCKNUT-M6	2
5	903019-0016	FLANGE BOLT-M8*30	1
5	903019-0016-03	FLANGE BOLT-M8*30	1
6	908007-0052	INSULATED SPACER	1

## Electric Component Assy



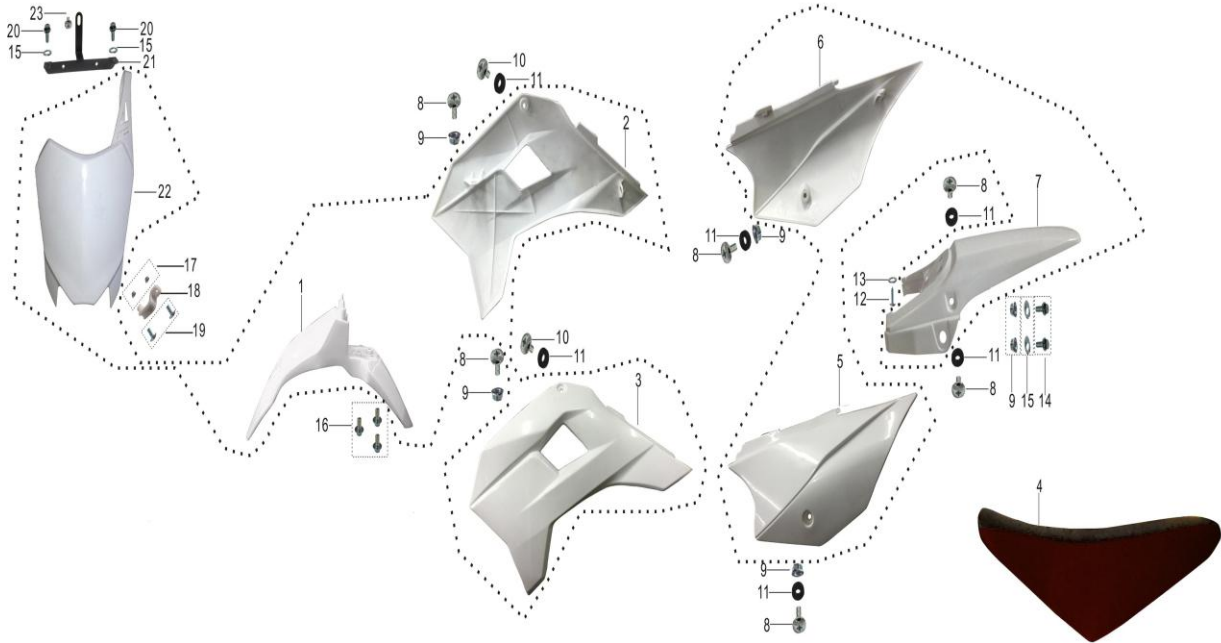
No.	Code	Name	Qty.
1	309001-0026	MAIN CABLE 008	1
1	309001-0140-02	TD	1
2	306001-0001	IGNITION COIL	1
3	903018-0005	FLANGE BOLT-M6*20	1
3	903018-0005-03	FLANGE BOLT-M6*20	1
4	903018-0003	FLANGE BOLT-M6*12	2
4	903018-0003-03	FLANGE BOLT-M6*12	2
5	101027-0509	CDI	1

## Fuel Tank Assy



No.	Code	Name	Qty.
1	805001-0020	FUEL TANK ASSY	1
1	805001-0020-02	FUEL TANK ASSY	1
1-1	805004-0008	FUEL TANK TAP	1
1-1	805004-0032	FUEL TANK TAP	1
2	903018-0008	FLANGE BOLT-M6*40	2
2	903018-0008-03	FLANGE BOLT-M6*40	2
3	805003-0004	FUEL TANK CAP	1
4	805005-0001-06	FUEL CAP BREATHER	1
5	903012-0006	SCREW-TM6*12	1
5	903012-0006-03	SCREW-TM6*12	1
6	906002-0002	PIPE CLIP-Φ8	1
7	906002-0001	PIPE CLIP-Φ7.5	1

## Plastic Assy



No.	Code	Name	Qty.
1	801013-0002	FRONT FENDER	1
1	801013-0002-05	FRONT FENDER	1
2	801007-0002-03	RIGHT FRONT PANEL	1
2	801007-0002-05	RIGHT FRONT PANEL	1
2	801007-0002-06	RIGHT FRONT PANEL	1
3	801007-0001-03	LEFT FRONT PANEL	1
3	801007-0001-05	LEFT FRONT PANEL	1
3	801007-0001-06	LEFT FRONT PANEL	1
4	701000-0004-05	SEAT ASSY	1
5	801007-0003	LEFT REAR PANEL	1
5	801007-0003-05	LEFT REAR PANEL	1
5	801007-0003-06	LEFT REAR PANEL	1
6	801007-0004	RIGHT REAR PANEL	1
6	801007-0004-05	RIGHT REAR PANEL	1
6	801007-0004-06	RIGHT REAR PANEL	1
7	801004-0007-05	REAR PANEL	1
7	801004-0007-07	REAR PANEL	1
7	801004-0007-08	REAR PANEL	1
8	903012-0007	SCREW-TM6*16	6
8	903012-0007-03	SCREW-TM6*16	6
9	903006-0002	FLANGE NUT-M6	6
9	903006-0002-03	FLANGE NUT-M6	6
10	903012-0006	SCREW-TM6*12	2

No.	Code	Name	Qty.
10	903012-0006-03	SCREW-TM6*12	2
11	908003-0002	RUBBER WASHER-Φ5.5*15*2	6
12	903010-0006	SCREW-ST4.8*12	1
12	903010-0006-03	SCREW-ST4.8*12	1
13	903002-0001	WASHER-Φ6*12*1.5	1
13	903002-0001-03	WASHER-Φ6*12*1.5	1
14	903019-0005	FLANGE BOLT-M6*20	2
14	903019-0005-03	FLANGE BOLT-M6*20	2
15	903002-0002	WASHER-Φ6*18*1.5	4
15	903002-0002-03	WASHER-Φ6*18*1.5	4
16	903019-0002	FLANGE BOLT-M6*12	3
17	903008-0024	NUT-M4	2
17	903008-0024-02	NUT-M4	2
18	801003-0011	CLIP	1
19	903009-0003	SCREW-M4*12	2
19	903009-0003-03	SCREW-M4*12	2
20	903019-0004	FLANGE BOLT-M6*16	2
21	555000-0137	FRONT PLATE BRACKET	1
21	555000-0137-02	FRONT PLATE BRACKET	1
22	801013-0001-02	FRONT PLATE	1
22	801013-0001-05	FRONT PLATE	1
23	903012-0001	SCREW-TM5*10	1
23	903012-0001-03	SCREW-TM5*10	1
	C90002-0160	PLASTIC PARTS ASSEMBLY	1

## Sticker



No.	Code	Name	Qty.
1	802007-0374	STICKER	1
1	802007-0374-02	STICKER	1
2	802007-0375	FRONT SHOCK GUARD STICKER	1
2	802007-0375-02	FRONT SHOCK GUARD STICKER	1
3	802018-0116	HANDLEBAR PAD COVER	1