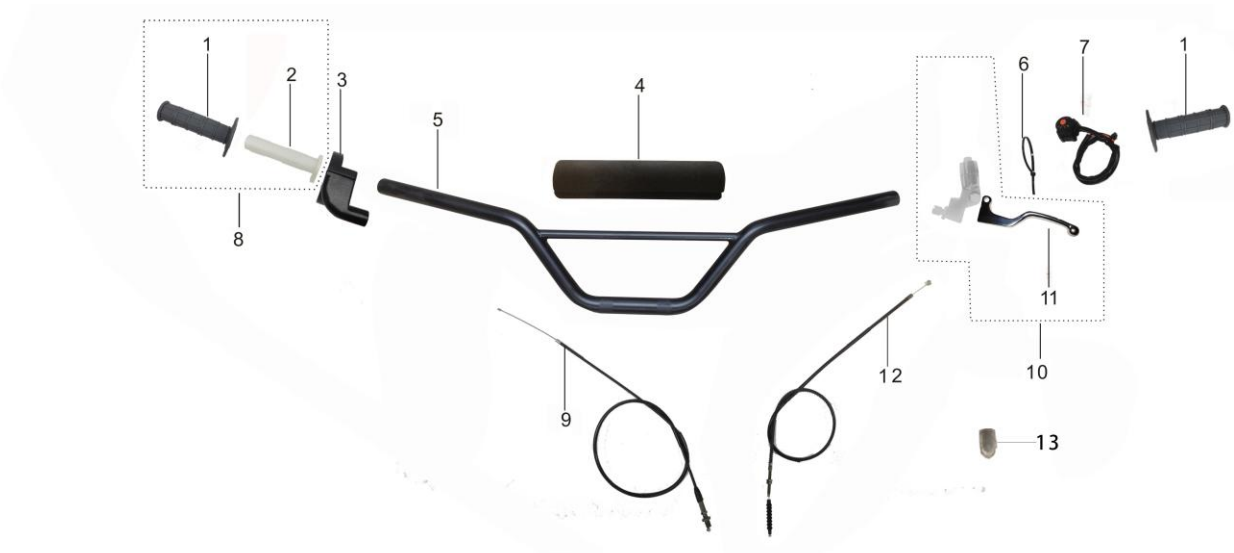


TT140 Parts Catalog

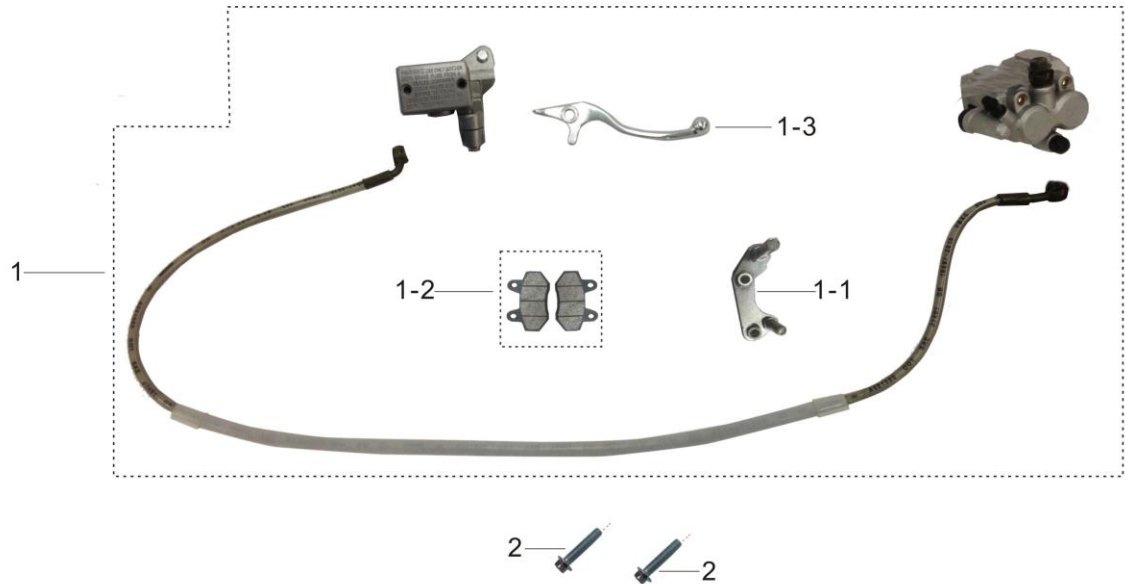


Handlebar Assy



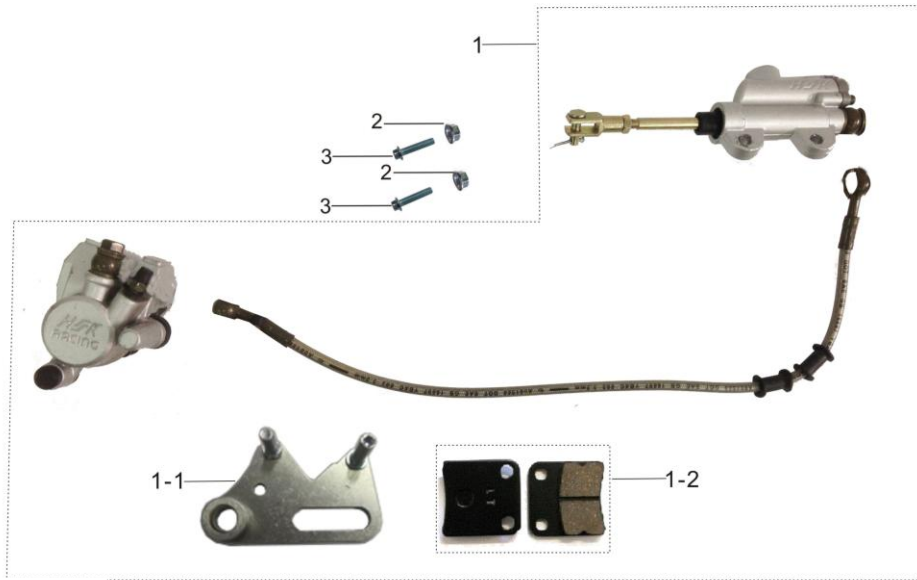
No.	Code	Name	Qty.
1	602006-0003-02	LEFT HANDLEBAR GRIP	2
2	602012-0001	THROTTLE TUBE	1
3	602011-0003	THROTTLE PERCH	1
4	602017-0002	HANDLEBAR PAD	1
5	602001-0002	STEEL HANDLEBAR	1
6	906003-0002	CABLE TIES	1
7	313003-0015	STOP SWITCH	1
7	313003-0015-02	STOP SWITCH	1
8	602006-0004-02	RIGHT HANDLEBAR GRIP (INCLUDING THROTTLE TUBE)	1
9	602014-0010	THROTTLE CABLE	1
10	602007-0024-02	CLUTCH LEVER ASSY	1
11	602009-0004	CLUTCH LEVER	1
12	602013-0016	CLUTCH CABLE 022	1
12	602013-0016-02	CLUTCH CABLE	1
13	908004-0018	SILICONE PROTECTIVE CASE	1

Front Brake Assy



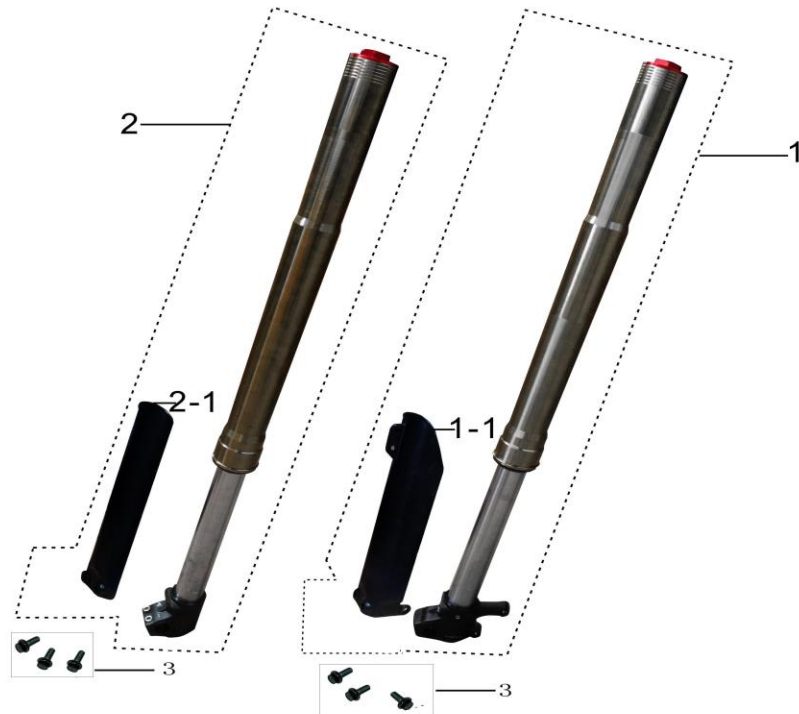
No.	Code	Name	Qty.
1	404000-0039	FRONT BRAKE ASSY	1
1-1	404008-0001	FRONT BRAKE BRACKET	1
1-2	404007-0004	FRONT BRAKE PAD	1
1-3	404002-0007	UNFOLD BRAKE LEVER	1
2	903019-0009	FLANGE BOLT-M6*32	2
2	903019-0009-03	FLANGE BOLT-M6*32	2

Rear Brake Assy



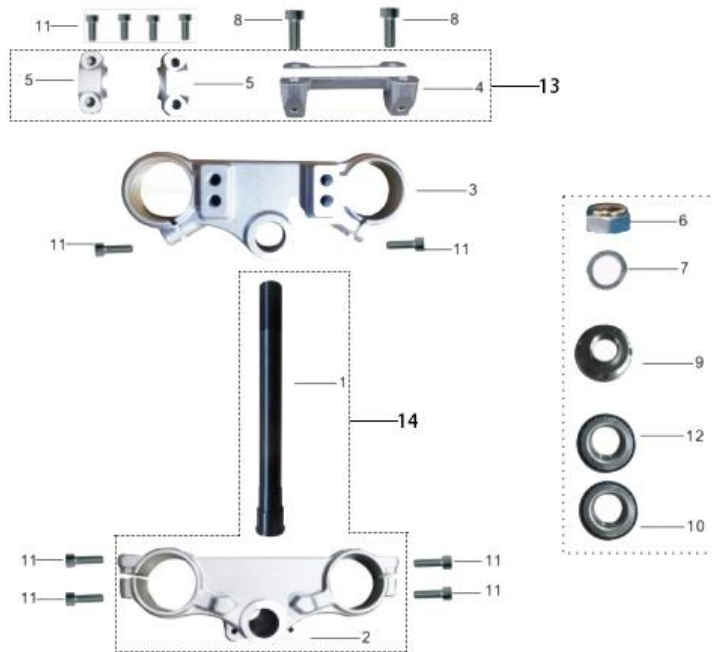
No.	Code	Name	Qty.
1	405000-0032-02	REAR BRAKE ASSY	1
1-1	405009-0004	REAR BRAKE BRACKET	1
1-2	405008-0001	REAR BRAKE PAD	1
2	903006-0002	FLANGE NUT-M6	2
2	903006-0002-03	FLANGE NUT-M6	2
3	903019-0005	FLANGE BOLT-M6*20	2
3	903019-0005-03	FLANGE BOLT-M6*20	2

Front Shock Assy



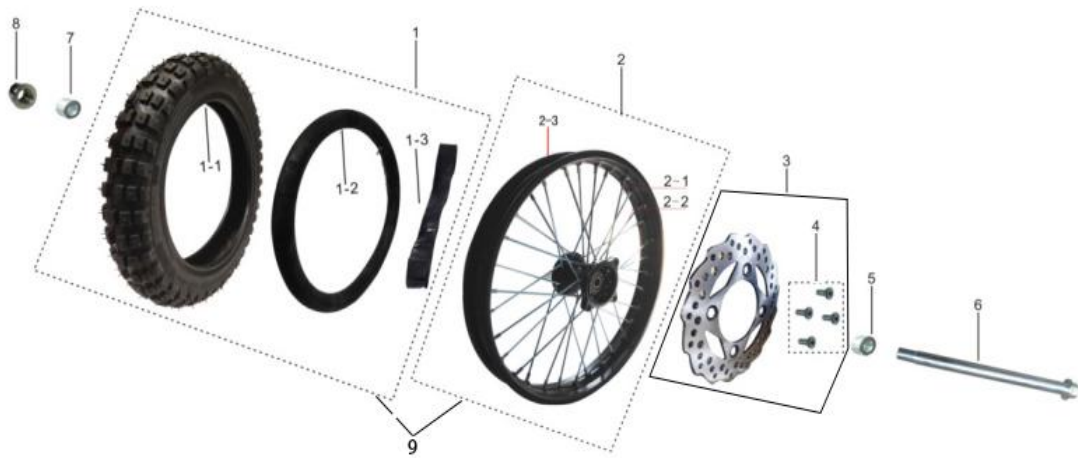
No.	Code	Name	Qty.
1	501000-0039-03	FRONT SHOCK, LH	1
1	501000-0039-02	FRONT SHOCK, LH	1
1-1	501001-0003	FRONT SHOCK GUARD, LH	1
2	501000-0040-03	FRONT SHOCK, RH	1
2	501000-0040-02	FRONT SHOCK, RH	1
2-1	501001-0004	FRONT SHOCK GUARD, RH	1
3	903018-0003	FLANGE BOLT-M6*12	6
3	903018-0003-03	FLANGE BOLT-M6*12	6

Clamps Assy



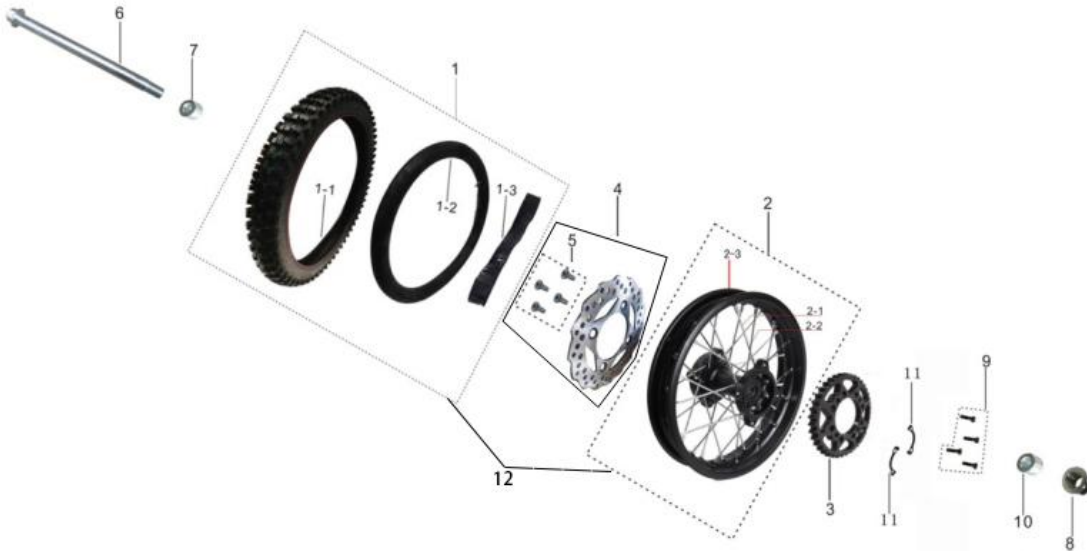
No.	Code	Name	Qty.
1	601006-0025	STEERING STEM	1
2	601002-0022	LOWER CLAMP	1
3	601001-0026	UPPER CLAMP	1
4	601004-0022	LOWER RAISER	1
5	601003-0017	UPPER RAISER	2
6	601005-0001	TOP NUT	1
7	601005-0012	WASHER- $\Phi 23 \times 36 \times 1.5$	1
8	903013-0036	SCREW-M10*30*1.5	2
8	903013-0036-02	SCREW-M10*30*1.5	2
9	601005-0008	DUST SEAL	1
10	907002-0007	BEARING-'320/23.5	1
11	903013-0020	SCREW-M8*25	10
11	903013-0020-05	SCREW-M8*25	10
12	907002-0006	BEARING-'320/22	1
13	C90002-0032	UPPER AND LOWER CLAMPING BLOCK ASSEMBLY	1
14	C90002-0011	LOWER TRIPLE CLAMP ASSEMBLY	1

Front Wheel Assy



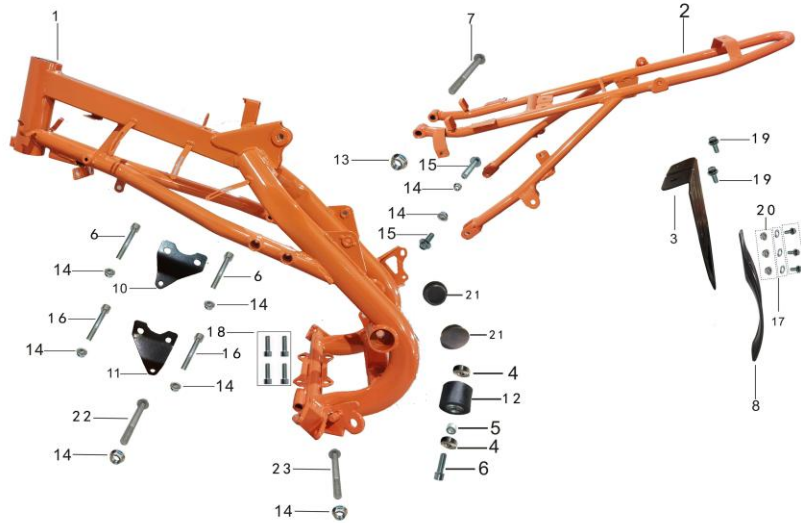
No.	Code	Name	Qty.
1	401005-0039	FRONT TYRE & INNER TUBE ASSY	1
1-1	401006-0049	FRONT TYRE	1
1-2	401007-0012	FRONT INNER TUBE	1
1-3	401008-0003	INNER TUBE BAND	1
2	401000-0026-02	FRONT WHEEL	1
2	401000-0026-07	FRONT WHEEL	1
2-1	401004-0009	INNER FRONT SPOKE 17'.	16
2-2	401004-0010	OUTER FRONT SPOKE 17'.	16
2-3	401002-0004	FRONT RIM	1
3	404001-0020	FRONT BRAKE DISC-WAVE	1
4	404011-0001	BOLT M8*16*1.25	4
5	902001-0067	FLAT BUSHING $\Phi 15*25*H26$	1
6	901001-0029	FLANGE AXLE $\Phi 15*215*M14*1.5MM$	1
7	902001-0062	FLAT BUSHING $\Phi 15*25*H1$	1
8	903007-0009	FLANGE LOCKNUT M14*1.5	1
8	903007-0009-02	FLANGE LOCKNUT M14*1.5	1
9	C90002-0096	Front Wheel Assy	1

Rear Wheel Assy



No.	Code	Name	Qty.
1	402005-0039	REAR TYRE & INNER TUBE ASSY	1
1-1	402006-0040	REAR TYRE	1
1-2	402007-0009	REAR INNER TUBE	1
1-3	401008-0002	INNER TUBE BAND	1
2	402000-0030-02	REAR WHEEL	1
2	402000-0030-07	REAR WHEEL	1
2-1	402004-0007	INNER REAR SPOKE 14'	16
2-2	402004-0006	OUTER REAR SPOKE 14'	16
2-3	402002-0002	REAR RIM	1
3	205001-0036	STEEL REAR SPROCKET	1
3	205001-0015	STEEL REAR SPROCKET	1
4	405001-0018	REAR BRAKE DISC- WAVE	1
5	404011-0001	BOLT-M8*16*1.25	4
6	901001-0033	FLANGE AXLE- Φ15*215*M14*1.5M	1
7	902001-0071	FLAT BUSHING-Φ15*25*H33	1
8	903007-0009	FLANGE LOCKNUT- M14*1.5	1
8	903007-0009-02	FLANGE LOCKNUT- M14*1.5	1
9	903014-0006	SCREW-M8*25	4
9	903017-0004	BOLT-M8*30+Φ8.2*5.5 S13	4
10	902001-0066	FLAT BUSHING-Φ15*25*H25	1
11	906004-0001	REAR SPROCKET LOCKING TAP	2
12	C90002-0097	REAR WHEEL ASSY	1

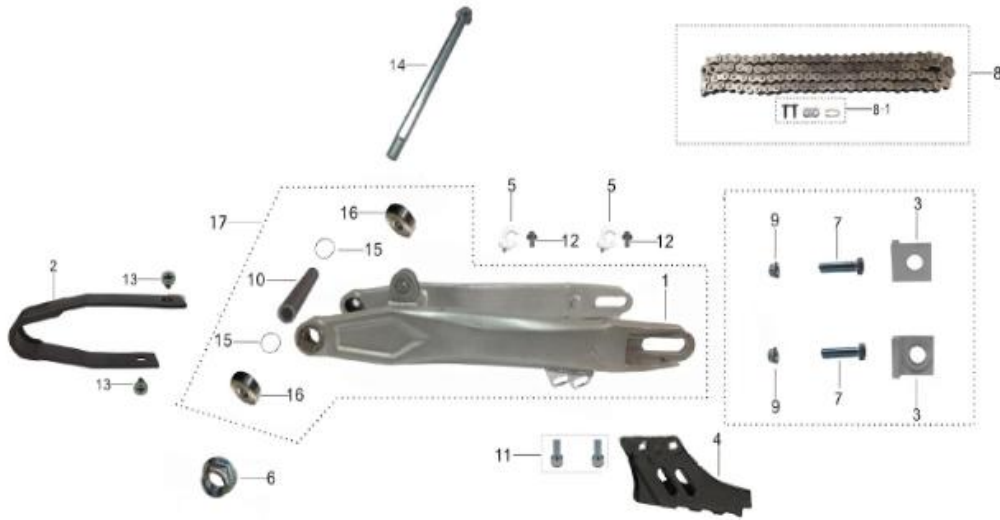
Frame Assy



No.	Code	Name	Qty.
1	551000-0105-04	FRAME ASSY	1
2	552000-0026-05	SUB FRAME ASSY	1
3	555000-0055	FENDER BRACKET	1
4	907001-0001	BEARING	2
5	902001-0003	WASHER-Φ8*12*H13	1
6	903013-0025	SCREW-M8*45	3
7	901001-0003	FLANGE AXLE	1
8	801004-0008	REAR FENDER	1
9	903019-0004	FLANGE BOLT-M6*16	3
10	555000-0125	RIGHT LIFTING LUG	1
11	555000-0124	LEFT LIFTING LUG	1
12	203004-0014	CHAIN ROLLER-Φ13*34.5*21.5	1
13	903007-0006	FLANGE LOCKNUT-M10*1.25	1
13	903007-0006-02	FLANGE LOCKNUT-M10*1.25	1
14	903007-0005	FLANGE LOCKNUT-M8	8
15	903019-0015	FLANGE BOLT-M8*27	2
15	903019-0015-03	FLANGE BOLT-M8*27	2
16	903013-0024	SCREW-M8*40	2
17	903002-0002	WASHER-Φ6*18*1.5	3
17	903002-0002-03	WASHER-Φ6*18*1.5	3
18	903020-0016	SCREW-M8*25	4
18	903020-0016-02	SCREW-M8*25	4
19	903019-0012	FLANGE BOLT-M8*16	2

19	903019-0012-03	FLANGE BOLT-M8*16	2
20	903006-0002	FLANGE NUT-M6	3
20	903006-0002-03	FLANGE NUT-M6	3
21	908004-0008	PLUG- Φ 27+ Φ 33+ Φ 40*16.5	2
22	903018-0025	FLANGE BOLT-M8*115	1
23	903018-0022	FLANGE BOLT-M8*105	1

Swingarm Kit



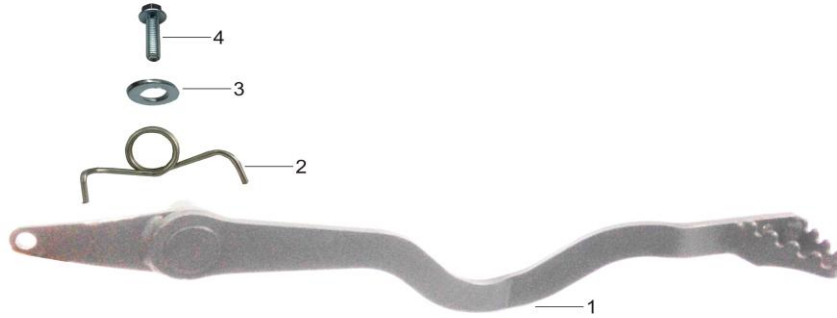
No.	Code	Name	Qty.
1	553000-0061	STEEL SWINGARM	1
2	203004-0031	CHAIN SLIDER	1
3	203002-0001-06	ALLOY CHAIN ADJUSTOR	2
4	203004-0036-01	CHAIN GUIDE	1
5	405010-0003	REAR BRAKE HOSE CLIP	2
6	903007-0008	FLANGE LOCKNUT-M12*1.25	1
6	903007-0008-02	FLANGE LOCKNUT-M12*1.2	1
7	903017-0007-03	BOLT-M8*40 S10	2
7	903017-0007-04	BOLT-M8*40 S10	2
8	203000-0068	CHAIN	1
8-1	203001-0004	CHAIN JOINT	1
9	903005-0006	NUT-M8	2
9	903005-0006-02	NUT-M8	2
10	902001-0112	BUSHING-Φ14*20.5*H154.5	1
11	903020-0016	SCREW-M8*25	2
11	903020-0016-02	SCREW-M8*25	2
12	903019-0002	FLANGE BOLT-M6*12	2
13	903011-0002	SCREW-M6*12	2
13	903011-0002-03	SCREW-M6*12	2
14	901001-0018	FLANGE AXLE-Φ12*205*M12*1.25MM	1
15	908005-0006	RUBBER O-WASHER-'Φ16*3.1	2
16	907001-0015	BEARING	2
17	C90002-0013	STEEL SWINGARM ASSEMBLY	1

Rear Shock Assy



No.	Code	Name	Qty.
1	502000-0035	REAR SHOCK ASSY	1
2	901001-0001	FLANGE AXLE- Φ 10*45*M10*1.25MM	1
3	903007-0006	FLANGE LOCKNUT-M10*1.25	1
3	903007-0006-02	FLANGE LOCKNUT-M10*1.25	1

Foot Brake Lever Assy



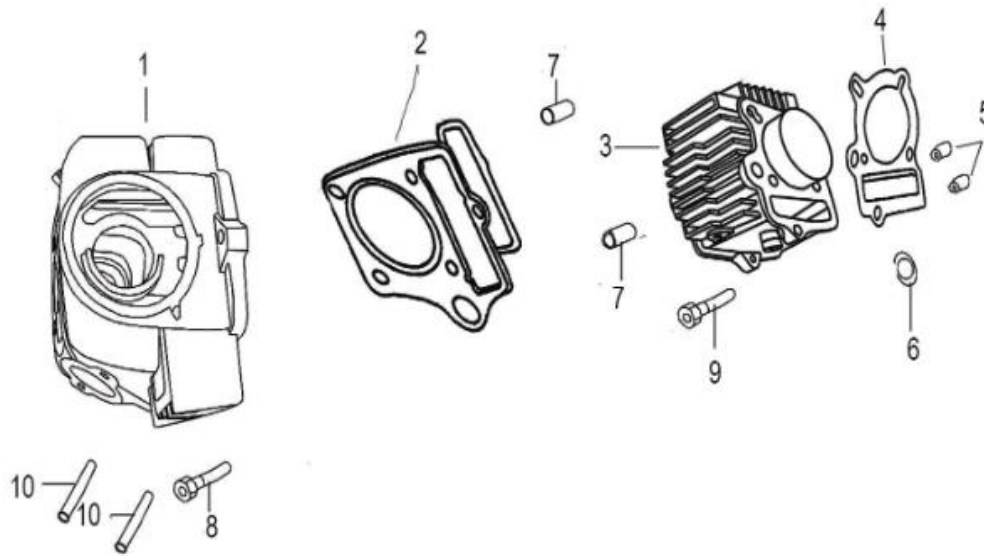
No.	Code	Name	Qty.
1	406001-0033-02	FOOT BRAKE LEVER	1
2	407003-0009	BRAKE SPRING	1
2	407003-0009-03	BRAKE SPRING	1
3	903002-0005	WASHER- $\Phi 8*28*1.5$	1
3	903002-0005-03	WASHER- $\Phi 8*28*1.5$	1
4	903019-0012	BOLT-M8*16	1
4	903019-0012-03	BOLT-M8*16	1

Engine Assy



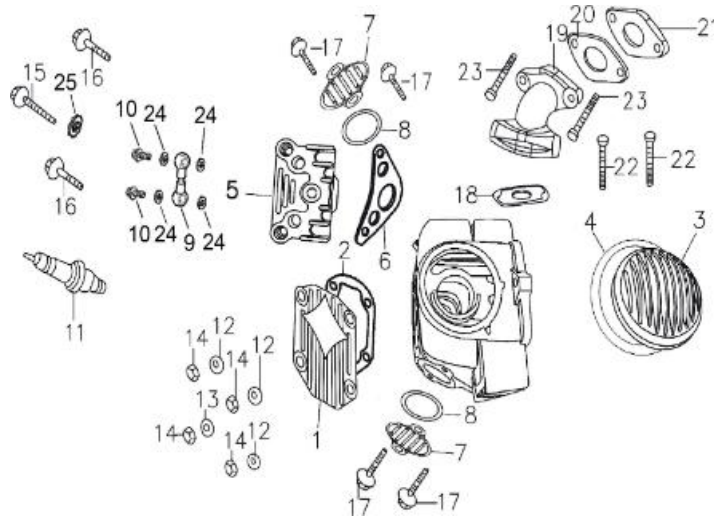
No.	Code	Name	Qty.
1	101000-0573	ENGINE ASSY	1
1	101000-0607	ENGINE ASSY	1
1	101000-0629	ENGINE ASSY	1

CYLINDER ASSY



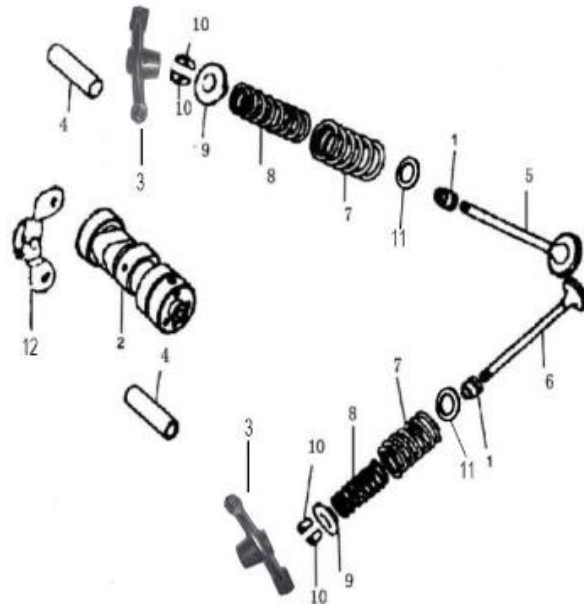
No.	Code	Name	Qty.
1	101020-0260	CYLINDER HEAD COMPONENT	1
2	101020-0230	CYLINDER HEAD GASKET	1
3	101020-0585	CYLINDER	1
4	101021-0209	CYLINDER GASKET	1
5	101020-0101	DOWEL PIN	2
6	101020-0012	SQURE RING	1
7	101019-0850	DOWEL PIN	2
8	101019-0856	CONNECTING BOLT	1
9	101020-0586	CONNECTING BOLT	1
10	101019-0860	DOUBLE SCREW BOLTS	2

CYLINDER HEAD



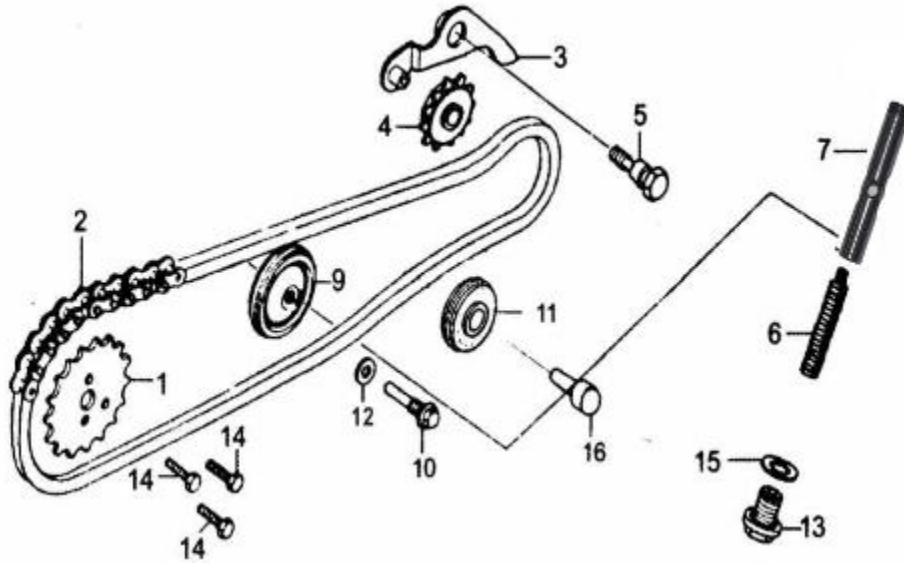
No.	Code	Name	Qty.
1	101020-0240	CYLINDER HEAD COVER	1
2	101019-0686	CYLINDER HEAD COVER GASKET	1
3	101020-0242	CYLINDER HEAD LEFT COVER	1
4	101019-0688	CYLINDER HEAD LEFT COVER GASKET	1
5	101020-0244	CYLINDER HEAD RIGHT COVER	1
6	101018-0402	CYLINDER HEAD RIGHT COVER GASKET	1
7	101020-0246	VALVE COVER	2
8	101019-0569	O-SEAL RING	2
9	101020-0564	OIL COOLED OIL RETURN PIPE	1
10	101020-0565	OIL COOLING PIPE BOLT	2
11	101020-0024	SPARK PLUG	1
12	101020-0025	IRON WASHER	3
13	101019-0858	COPPER WASHER	1
14	101019-0833	CAP TYPE NUT	4
15	101019-0848	BOLT	1
16	101024-0513	SCREW, HEXAGON SOCKET HEAD	2
17	101024-0519	BOLT	4
18	101019-0573	GASKET,INTAKE PIPE	1
19	101020-0587	INTAKE PIPE	1
20	101020-0031	SEAL GASKET, CARBURETOR	1
21	101020-0034	BAKELITE GASKET, CARBURETOR	1
17	101024-0520	BOLT	4
18	101019-0840	GASKET,INTAKE PIPE	1
19	101021-0317	INTAKE PIPE	1
20	101020-0068	SEAL GASKET, CARBURETOR	1

CAMSHAFT ASSY



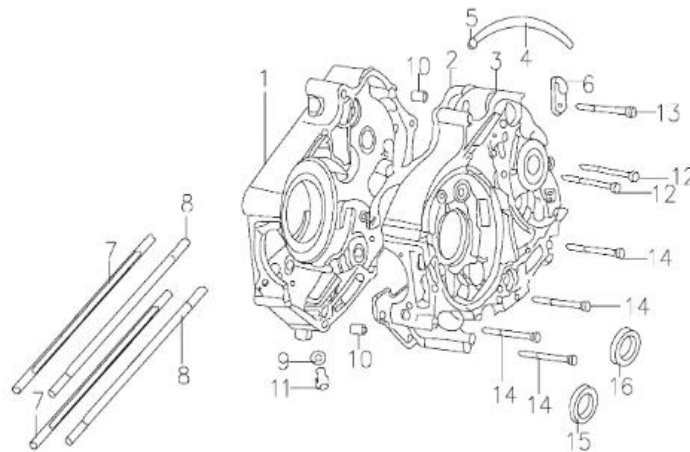
No.	Code	Name	Qty.
1	101020-0050	OIL SEAL,VALVE STEM ASSEMBLY	2
2	101020-0038	CAMSHAFT COMPONENT	1
3	101020-0041	VALVE ROCKER ARM COMPONENT	2
4	101020-0040	ROCKSHAFT	2
5	101020-0272	INTAKE VALVE	1
6	101020-0273	EXHAUST VALVE	1
7	101020-0047	VALVE OUTER SPRING	2
8	101020-0046	VALVE INNER SPRING	2
9	101020-0268	VALVE INNER AND OUTER SPRING SEAT	2
10	101020-0269	VALVE CLIPER	4
11	101019-0584	VALVE OUTER SPRING SEAT	2
12	101019-0585	LIMIT PLATE COMPONENT	1

TIME CHAIN



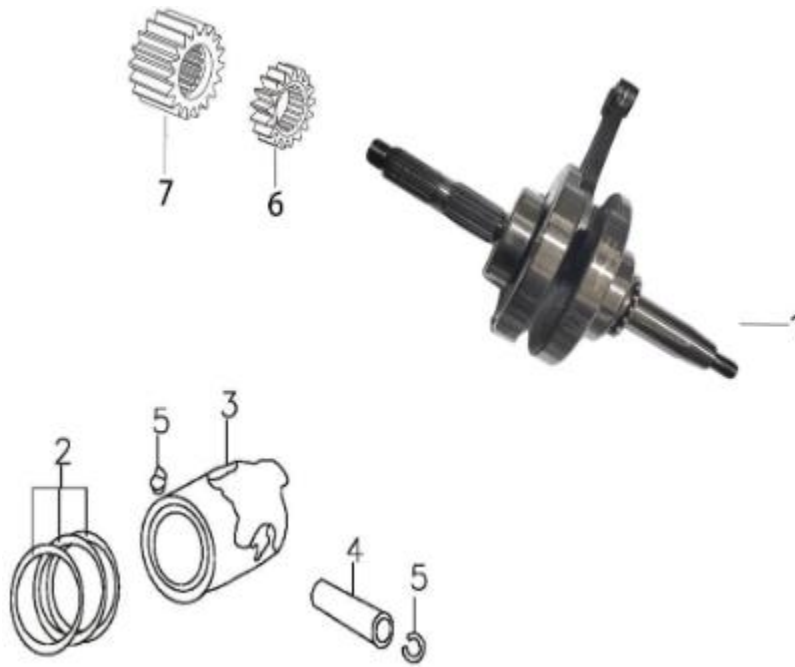
No.	Code	Name	Qty.
1	101020-0051	TIMING DRIVEN SPROCKET	1
2	101020-0052	TIMING CHAIN	1
3	101020-0053	TENSIONING ARM	1
4	101020-0054	TENSIONING ROLLER	1
5	101020-0055	MANDREL, TENSIONING ARM	1
6	101019-0591	SPRING	1
7	101020-0057	TENSIONING BAR	1
8	101018-0432	CHAIN GUIDE ROLLER ASSEMBLY	1
9	101018-0277	PIN SHAFT, CHAIN GUIDE ROLLER	1
10	101020-0061	CHAIN TENSIONING ROLLER II	1
11	101020-0067	ALUMINUM WASHER	1
12	101019-0851	SEAL SOCKET PLUG	1
13	101019-0861	HEXAGON HEAD BOLT FULL-THREAD	3
14	101020-0065	ALUMINUM WASHER	1
15	101020-0062	MANDREL, CHAIN TENSIONING ROLLER II	1

CRANKCASE



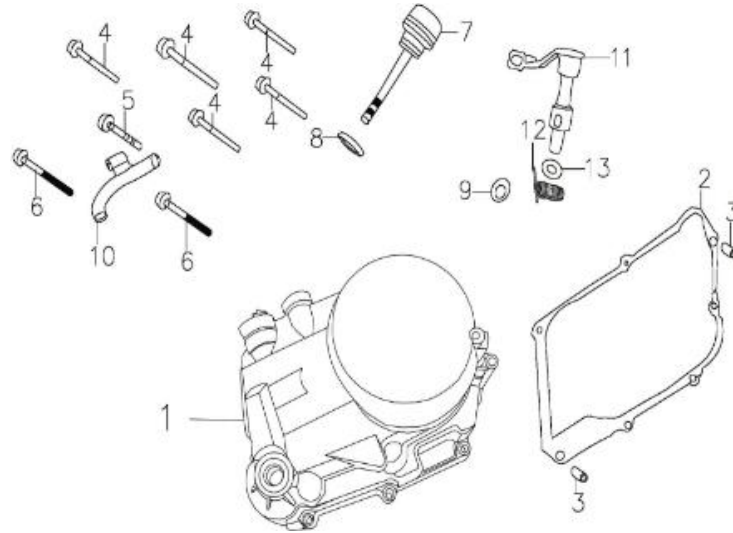
No.	Code	Name	Qty.
1	101020-0588	RIGHT CRANKCASE COMPONENT	1
2	101020-0589	CRANKCASE GASKET	1
3	101020-0590	LEFT CRANKCASE ASSEMBLY	1
4	101020-0072	AIR PIP	1
5	101024-0387	AIR PIP CLAMP SPRING	1
6	101017-0329	CLAMP, EXHAUST PIPE	1
7	101020-0075	DOUBLE SCREW BOLTS A	2
8	101020-0076	DOUBLE SCREW BOLTS B	2
9	101020-0425	COPPER WASHER	1
10	101020-0078	DOWEL PIN	2
11	101019-0656	PLUG, DRAIN	1
12	101019-0844	BOLT	2
13	101019-0843	BOLT	1
14	101019-0845	BOLT	4
15	101020-0084	OIL SEAL	1
16	101020-0083	OIL SEAL	1

CRANKSHAFT



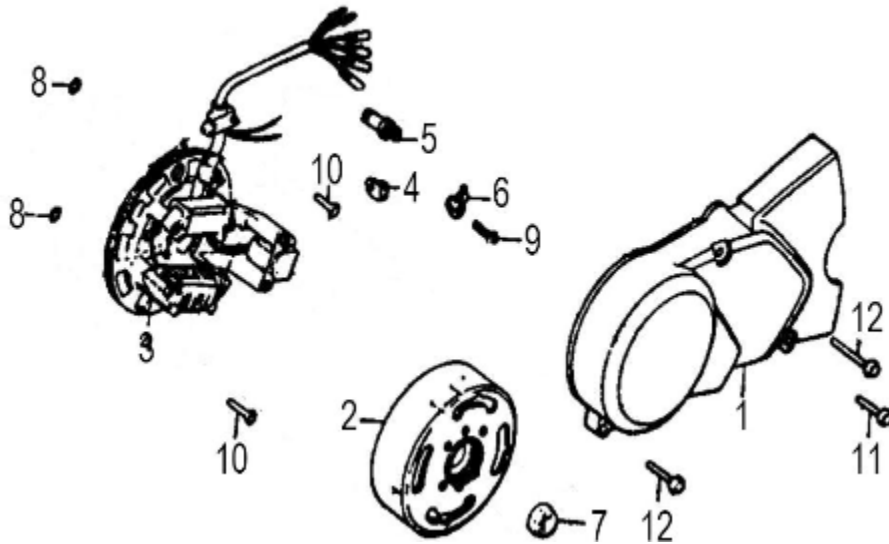
No.	Code	Name	Qty.
1	101020-0591	CRANK CONNECTING ROD ASSEMBLY	1
2	101020-0086	PISTON RING SETS	1
3	101020-0430	PISTON	1
4	101020-0088	PIN, PISTON	1
5	101020-0089	C-SHAPED RETAINING RING , PISTON PIN	2
6	101020-0095	OIL PUMP DRIVE GEAR	1
7	101020-0098	DRIVING GEAR	1

CRANKCASE COVER



No.	Code	Name	Qty.
1	101020-0592	RIGHT CRANKCASE COVER	1
2	101020-0593	RIGHT CRANKCASE COVER GASKET	1
3	101020-0306	DOWEL PIN	2
4	101019-0842	BOLT	5
5	101019-0843	BOLT	1
6	101019-0846	BOLT	2
7	101019-0074	DIPSTICK	1
8	101020-0106	O-SEAL RING	1
9	101020-0594	OIL SEAL	1
10	101020-0595	FIXING PLATE, CLUTCH CALBE	1
11	101020-0596	OPERATING SHAFT,CLUTCH	1
12	101020-0597	SPING, OPERATING SHAFT	1
13	101020-0111	OIL SEAL	1

Left Crankcase Cover & Magneto



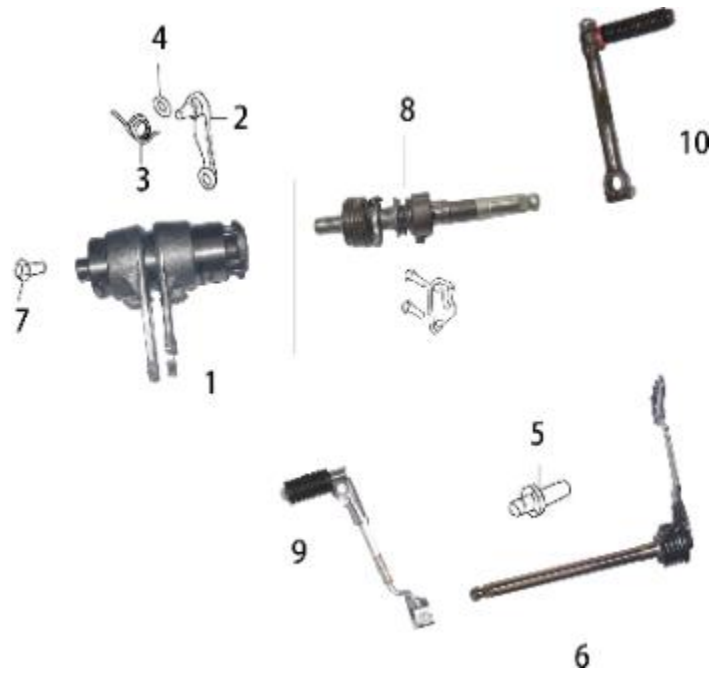
No.	Code	Name	Qty.
1	101018-0456	LEFT COVER	1
2	101018-0457	MAGNETO ROTOR ASSEMBLY	1
3	101018-0458	MAGNETO STATOR ASSEMBLY	1
4	101018-0459	RUBBER PLUG	1
5	101020-0148	WASHER, GEARSHIFT DRUM	1
6	101018-0461	BAFFLE, VALVE CAMSHAFT	1
7	101019-0632	NUT, MAGNETO	1
8	101020-0120	O-SEAL RING	2
9	101019-0834	BOLT	1
10	101019-0826	CROSS RECESSED COUNTERSUNK HEAD SCREW	2
11	101019-0839	BOLT	1
12	101019-0841	BOLT	2

CLUTCH COMPONENT PART



No.	Code	Name	Qty.
1	101020-0598	CLUTCH BODY	1
2	101020-0599	CLUTCH ACCESSORY ASSEMBLY	1
3	101020-0200	MAIN SHAFT STARTING GEAR	1

SHIFTING MOTIVATOR



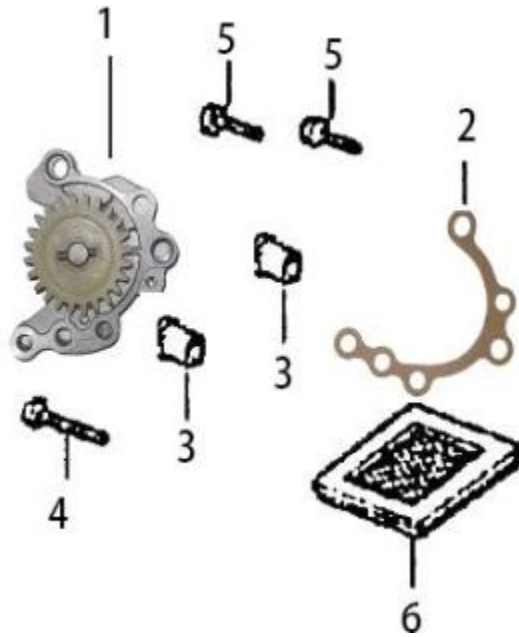
No.	Code	Name	Qty.
1	101020-0158	GEARSHIFT DRUM	1
2	101019-0677	LOCATOR,GEARSHIFT	1
3	101020-0147	SPRING, GEARSHIFT LOCATOR	1
4	101020-0600	WASHER, GEARSHIFT LOCATOR	1
5	101020-0152	POSITIONING BOLT, GEARSHIFT ARM	1
6	101020-0159	GEARSHIFT ARM ASSEMBLY	1
7	101018-0500	HEXAGON HEAD BOLT FULL-THREAD	1
8	101020-0601	STARTING SHAFT COMPONENT	1
9	101024-0499	GEARSHIFT PADEL	1
10	101020-0602	KICK STARTER	1

SLOWING DOWN SUBASSEMBLY



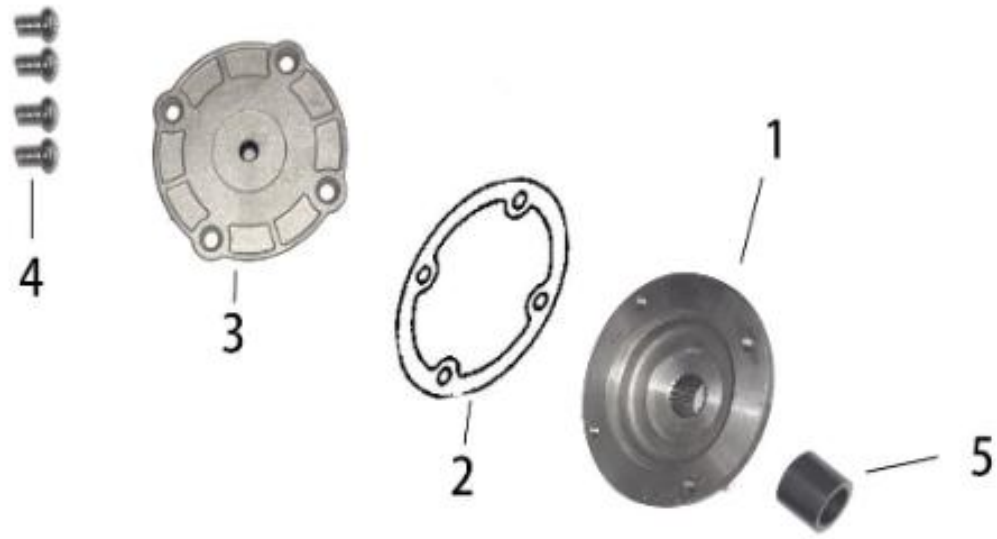
No.	Code	Name	Qty.
1	101020-0176	MAIN SHAFT COMPONENTS	1
2	101020-0603	COUNTERSHAFT ASSEMBLY	1
3	101020-0581	DRIVING SPROCKET	1
4	101020-0457	DRIVING SPROCKET FIXING PLATE	1
5	101019-0670	HEXAGON HEAD BOLT FULL-THREAD	2
6	101020-0083	OIL SEAL	1
7	101020-0471	BEARING	2
8	101020-0469	BEARING	1
9	101020-0604	BERING	1
10	101020-0605	STARTING BRIGDE GEAR, COUNTERSHAFT	1
11	101020-0606	IRON WASHER	1
12	101020-0607	CIRCLIP	1

PUMP ASSY



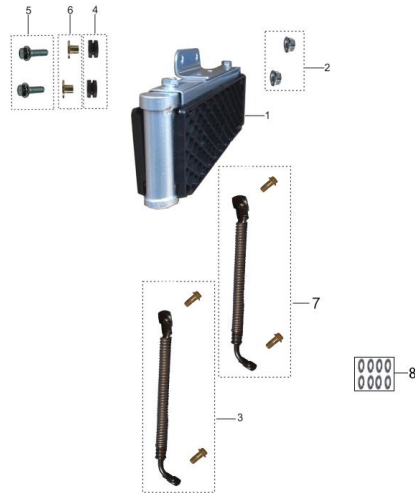
No.	Code	Name	Qty.
1	101021-0904	OIL PUMP ASSEMBLY	1
2	101020-0382	GASKET,OIL PUMP	1
3	101020-0306	DOWEL PIN	2
4	101019-0831	CROSS RECESSED COUNTERSUNK HEAD SCREW	1
5	101020-0608	CROSS RECESSED COUNTERSUNK HEAD SCREW	2
6	101020-0205	GAUZE COMP.	1

BALANCE WHEEL ASSY



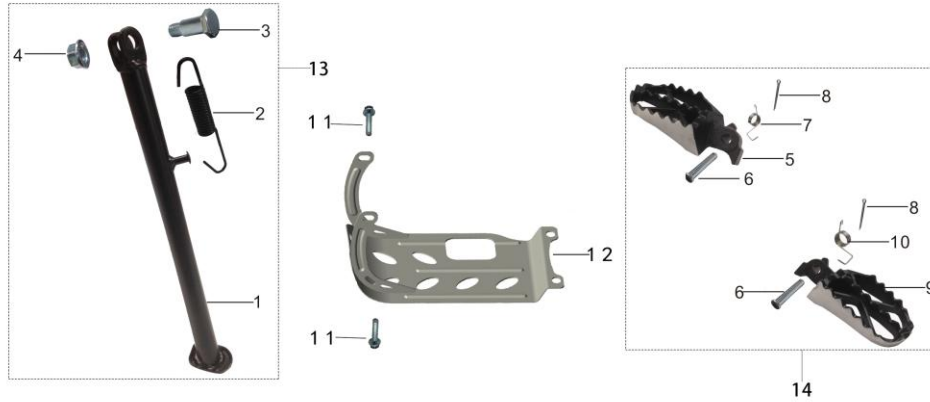
No.	Code	Name	Qty.
1	101020-0609	BALANCE WHEEL	1
2	101020-0610	GASKET, BALANCE WHEEL	1
3	101020-0611	COVER, BALANCE WHEEL	1
4	101020-0612	CROSS RECESSED COUNTERSUNK HEAD SCREW	4
5	101020-0613	SHAFT COLLAR, BALANCE WHEEL	1

Oil Cooler Assy



No.	Code	Name	Qty.
1	103001-0003	OIL COOLER	1
1	103001-0003-02	OIL COOLER	1
2	903006-0002	NUT-M6	2
2	903006-0002-03	NUT-M6	2
3	103002-0006	OIL COOLER PIPE B	1
3	103002-0006-02	OIL COOLER PIPE B	1
4	103003-0002	RUBBER BUSHING-Φ9*20*10	2
5	903019-0007	FLANGE BOLT-M6*25	2
6	103003-0001	BUSHING-Φ6.5*9*10+Φ20*2	2
7	103002-0005	OIL COOLER PIPE A	1
7	103002-0005-02	OIL COOLER PIPE A	1
8	103003-0006	WASHER Φ10*15*2	8

Sidestand & Footpegs Assy



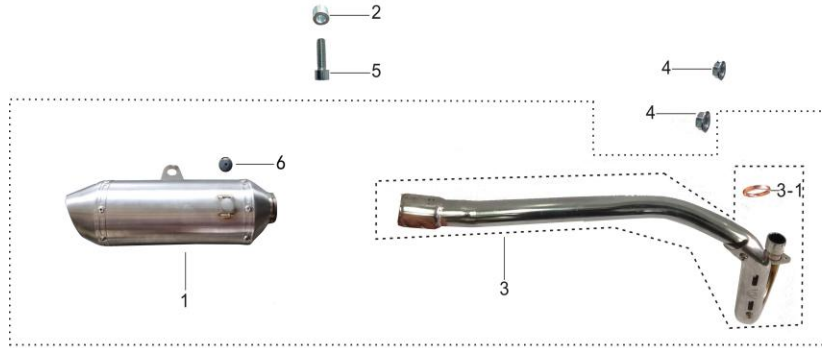
No.	Code	Name	Qty.
1	554000-0032	SIDESTAND	1
2	407002-0001	SIDESTAND SPRING	1
3	903020-0001	BOLT-M10*30*1.5 S17	1
3	903020-0002	BOLT-M10*30*1.5 S17	1
4	903006-0005	FLANGE NUT-M10*1.5	1
4	903007-0007	FLANGE NUT-M10*1.5	1
4	903007-0007-03	FLANGE NUT-M10*1.5	1
5	506003-0013-01	RIGHT FOOTPEG	1
6	904001-0002	HINGE PIN	2
7	407001-0007	RIGHT FOOTPEG SPRING	1
8	904002-0002	COTTER PIN	2
8	904002-0002-03	COTTER PIN	2
9	506003-0012-01	LEFT FOOTPEG	1
10	407001-0006	LEFT FOOTPEG SPRING	1
11	903019-0004	BOLT-M6*16	2
12	109001-0008-02	ENGINE BASH PLATE	1
13	C90002-0014-02	STRAIGHT SIDE STAND ASSEMBLY	1
14	C90002-0015-02	CAST STEEL FOOTREST ASSEMBLY	1

Carburetor & Air Filter Assy



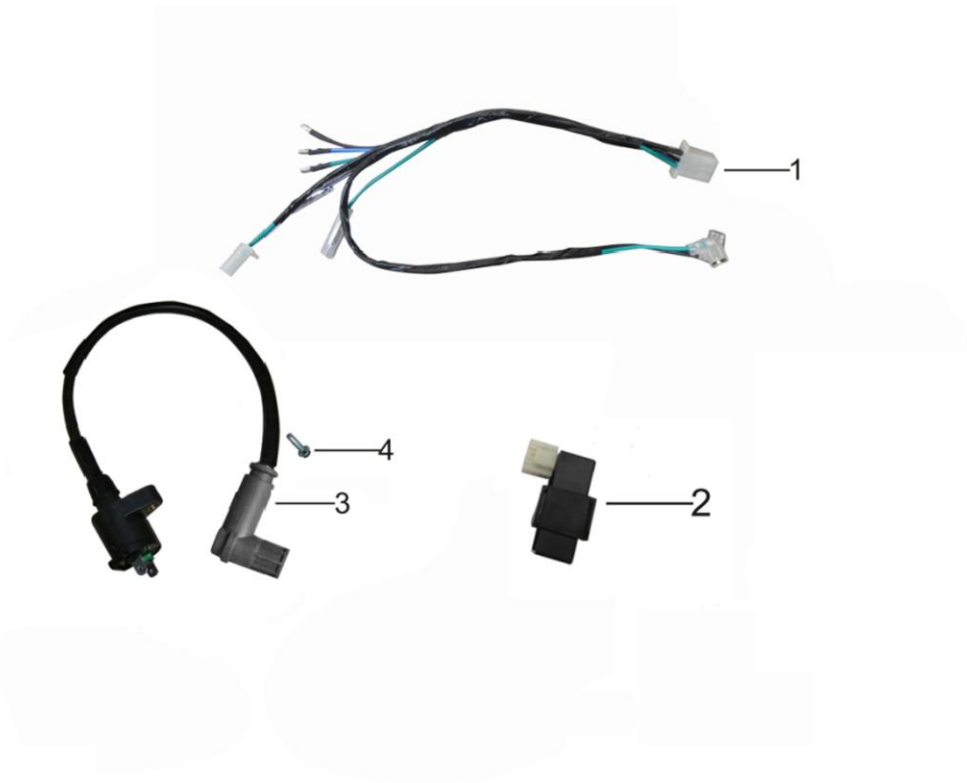
No.	Code	Name	Qty.
1	102000-0057	CARBURETOR	1
1	102000-0059	CARBURETOR	1
2	903006-0002	FLANGE NUT-M6	2
2	903006-0002-03	FLANGE NUT-M6	2
3	903018-0005	FLANGE BOLT-M6*20	2
3	903018-0005-03	FLANGE BOLT-M6*20	2
4	903002-0002	WASHER-Φ6*18*1.5	2
4	903002-0002-03	WASHER-Φ6*18*1.5	2
5	105000-0033	AIR FILTER ASSY	1
5-1	105002-0001	AIR FILTER SPONGE	1
5-2	105002-0002	AIR FILTER SPONGE	1

Muffler Assy



No.	Code	Name	Qty.
1	106002-0038	MUFFLER	1
2	902001-0009	FLAT BUSHING-Φ8*20*H14	1
3	106001-0106	EXHAUST PIPE	1
3-1	106003-0002	MUFFLER SEAL	1
4	903007-0003	FLANGE LOCKNUT-M6	2
5	903019-0016	FLANGE BOLT-M8*30	1
5	903019-0016-03	FLANGE BOLT-M8*30	1
6	908007-0052	INSULATED SPACER	1

Electric Component Assy



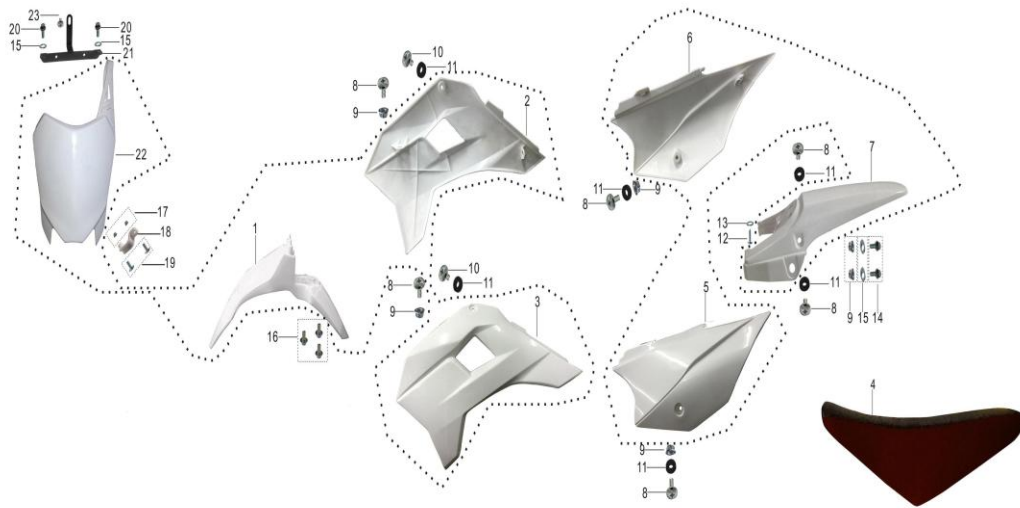
No.	Code	Name	Qty.
1	309001-0023	MAIN CABLE 002	1
1	309001-0143	MAIN CABLE 002	1
2	303001-0001	CDI	1
3	306001-0001	IGNITION COIL	1
4	903018-0005	FLANGE BOLT-M6*20	1
4	903018-0005-03	FLANGE BOLT-M6*20	1

Fuel Tank Assy



No.	Code	Name	Qty.
1	805001-0020	FUEL TANK ASSY	1
1	805001-0020-02	FUEL TANK ASSY	1
1-1	805004-0008	FUEL TANK TAP	1
1-1	805004-0032	FUEL TANK TAP	1
2	903018-0008	FLANGE BOLT-M6*40	2
2	903018-0008-03	FLANGE BOLT-M6*40	2
3	805003-0004	FUEL TANK CAP	1
4	805005-0001-06	FUEL CAP BREATHER	1
5	903012-0006	SCREW-TM6*12	1
5	903012-0006-03	SCREW-TM6*12	1
6	906002-0002	PIPE CLIP-Φ8	1
7	906002-0001	PIPE CLIP-Φ7.5	1

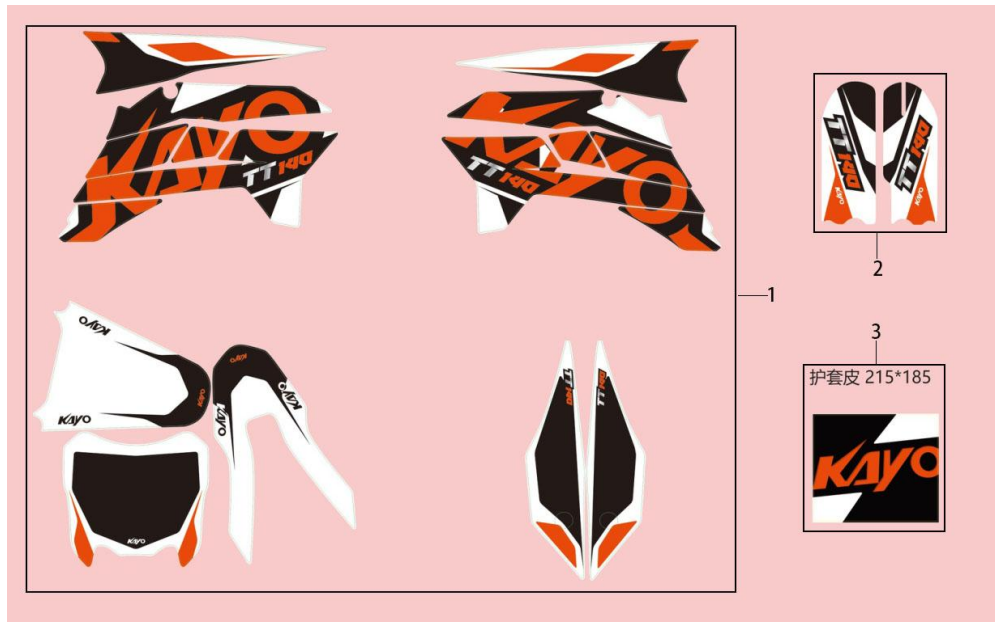
Plastic Assy



No.	Code	Model	Name
1	801013-0002	FRONT FENDER	1
1	801013-0002-05	FRONT FENDER	1
2	801007-0002-03	RIGHT FRONT PANEL	1
2	801007-0002-05	RIGHT FRONT PANEL	1
2	801007-0002-06	RIGHT FRONT PANEL	1
3	801007-0001-03	LEFT FRONT PANEL	1
3	801007-0001-05	LEFT FRONT PANEL	1
3	801007-0001-06	LEFT FRONT PANEL	1
4	701000-0004-05	SEAT ASSY	1
5	801007-0003	LEFT REAR PANEL	1
5	801007-0003-05	LEFT REAR PANEL	1
5	801007-0003-06	LEFT REAR PANEL	1
6	801007-0004	RIGHT REAR PANEL	1
6	801007-0004-05	RIGHT REAR PANEL	1
6	801007-0004-06	RIGHT REAR PANEL	1
7	801004-0007-05	REAR PANEL	1
7	801004-0007-07	REAR PANEL	1
7	801004-0007-0	REAR PANEL	1
8	903012-0007	SCREW-TM6*16	6
8	903012-0007-03	SCREW-TM6*16	6
9	903006-0002	FLANGE NUT-M6	6
9	903006-0002-03	FLANGE NUT-M6	6
10	903012-0006	SCREW-TM6*12	2
10	903012-0006-03	SCREW-TM6*12	2
11	908003-0002	RUBBER WASHER- Φ5.5*15*2	6

12	903010-0006	SCREW-ST4.8*12	1
12	903010-0006-03	SCREW-ST4.8*12	1
13	903002-0001	WASHER-Φ6*12*1.5	1
13	903002-0001-03	WASHER-Φ6*12*1.5	1
14	903019-0005	FLANGE BOLT-M6*20	2
14	903019-0005-03	FLANGE BOLT-M6*20	2
15	903002-0002	WASHER-Φ6*18*1.5	4
15	903002-0002-03	WASHER-Φ6*18*1.5	4
16	903019-0002	FLANGE BOLT-M6*12	3
17	903008-0024	NUT-M4	2
17	903008-0024-02	NUT-M4	2
18	801003-0011	CLIP	1
19	903009-0003	SCREW-M4*12	2
19	903009-0003-03	SCREW-M4*12	2
20	903019-0004	FLANGE BOLT-M6*16	2
21	555000-0137	FRONT PLATE BRACKET	1
21	555000-0137-02	FRONT PLATE BRACKET	1
22	801013-0001-02	FRONT PLATE	1
22	801013-0001-05	FRONT PLATE	1
23	903012-0001	SCREW-TM5*10	1
23	903012-0001-03	SCREW-TM5*10	1
	C90002-0160	PLASTIC PARTS ASSEMBLY	

Sticker



No.	Code	Name	Qty.
1	802007-0372	STICKER	1
1	802007-0372-02	STICKER	1
2	802007-0373	FRONT SHOCK GUARD STICKER	1
2	802007-0373-02	FRONT SHOCK GUARD STICKER	1
3	802018-0116	HANDLEBAR PAD COVER	1