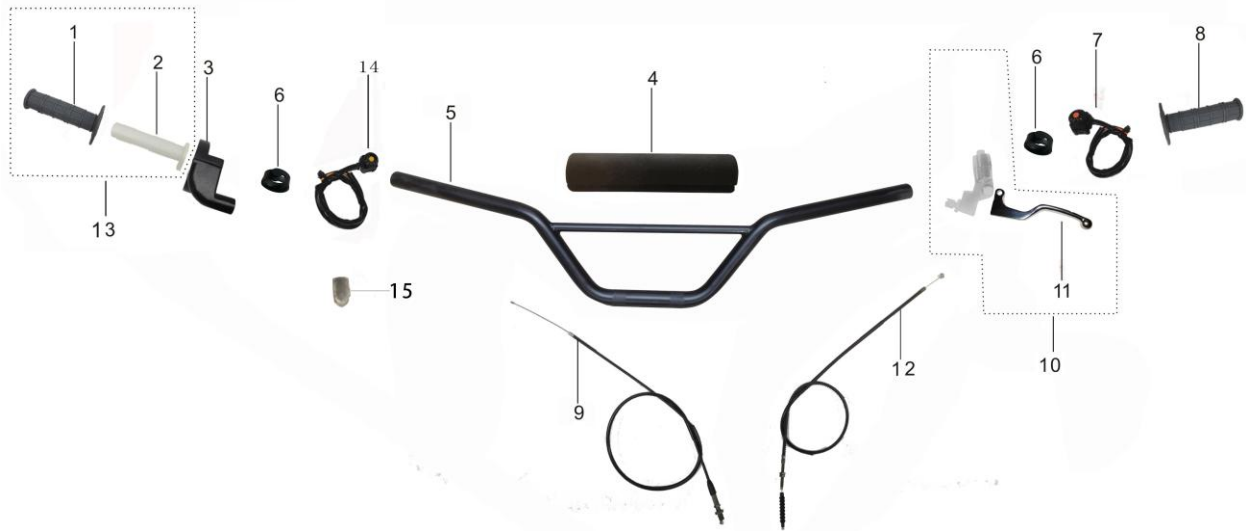


TT125 Parts Catalog

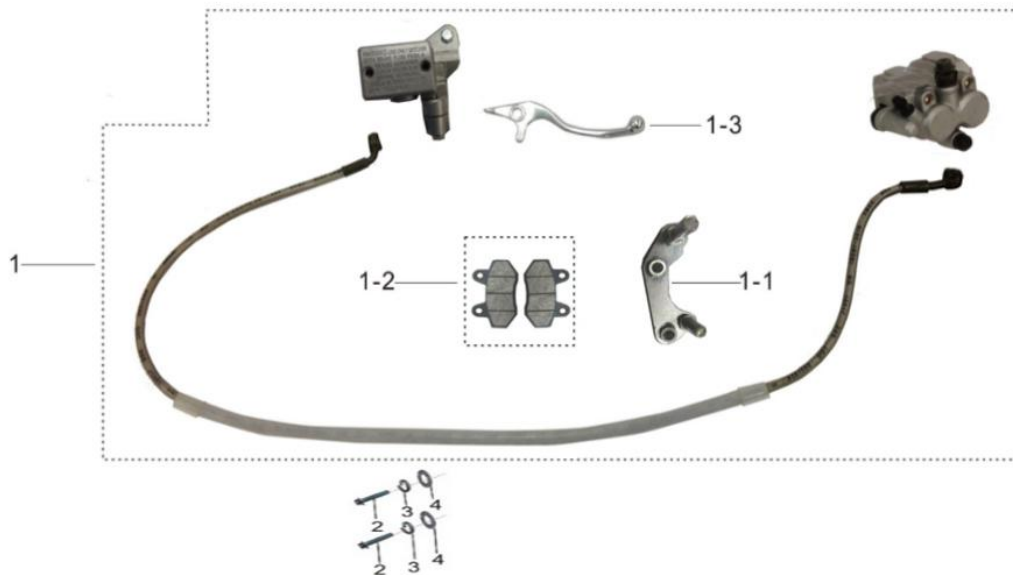


Handlebar Assy



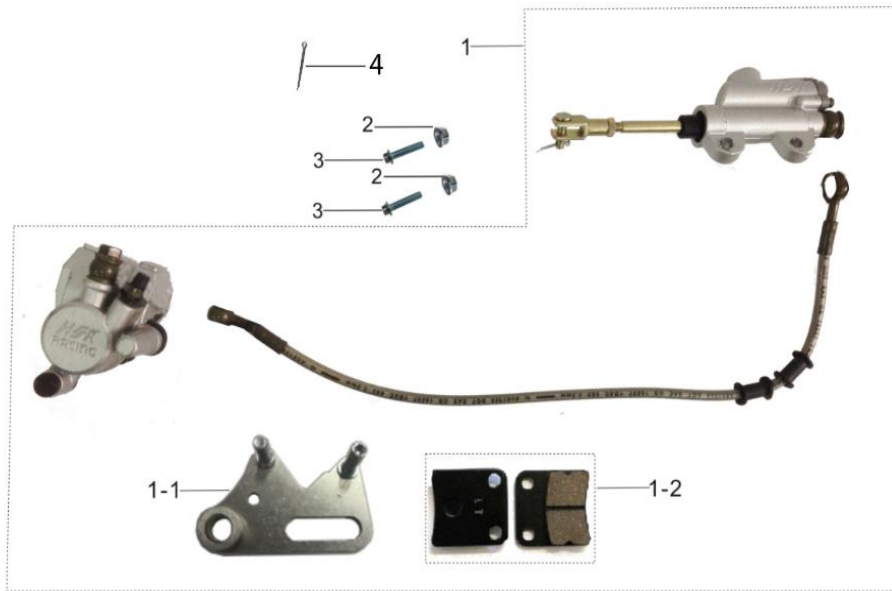
No.	Code	Name	Qty.
1	602006-0005-02	RIGHT BAR GRIP KIT	1
2	602012-0002	THROTTLE TUBE	1
3	602011-0003	THROTTLE PERCH	1
4	602017-0002	HANDLE BAR PAD	1
5	602001-0002	HANDLE BAR	1
6	908007-0071	CABLE RUBBER CLIP	2
7	313003-0015-02	STOP SWITCH	1
8	602006-0003-02	LEFT HANDLEBAR GRIP	1
9	602014-0010	THROTTLE CABLE	1
10	602007-0024-02	CLUTCH LEVER ASSY.	1
11	602009-0004	CLUTCH LEVER	1
12	602013-0009	CLUTCH CABLE 021	1
13	602006-0004-02	RIGHT BAR GRIP KIT	1
14	313002-0007-02	START SWITCH	1
15	908004-00180	SILICONE PROTECTIVE CASE	1

Front Brake Assy



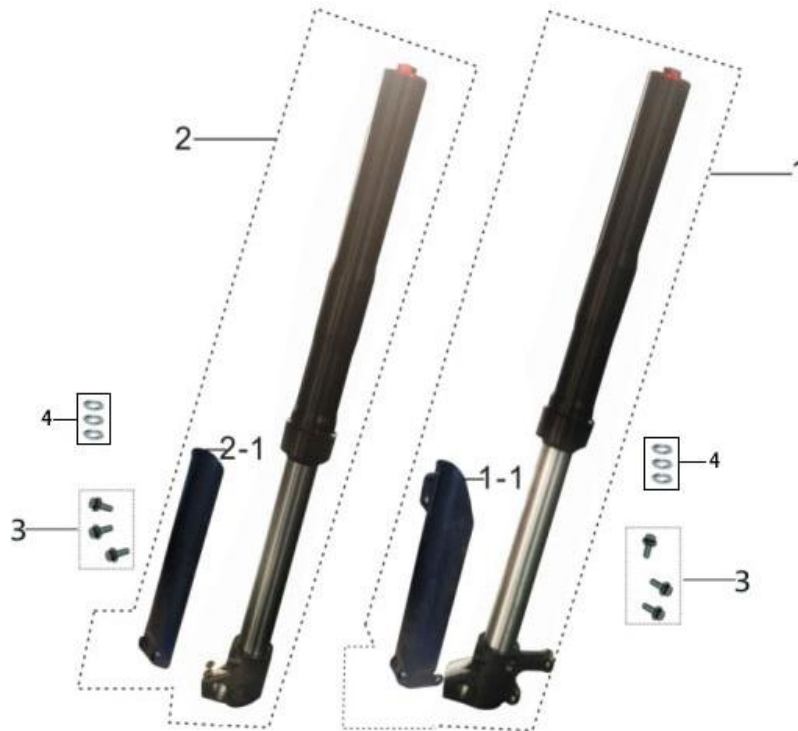
No.	Code	Name	Qty.
1	404000-0039	FRONT BRAKE ASSY	1
1-1	404008-0001	FRONT BRAKE BRACKET	1
1-2	404007-0004	FRONT BRAKE PAD	1
1-3	404002-0007	UNFOLD BRAKE LEVER	1
2	903019-0010-03	BOLT M6*35	2
3	903001-0002-03	SPRING WASHER $\Phi 6$	2
4	903002-0001-03	FLAT WASHER $\Phi 6*12*1.5$	2

Rear Brake Assy



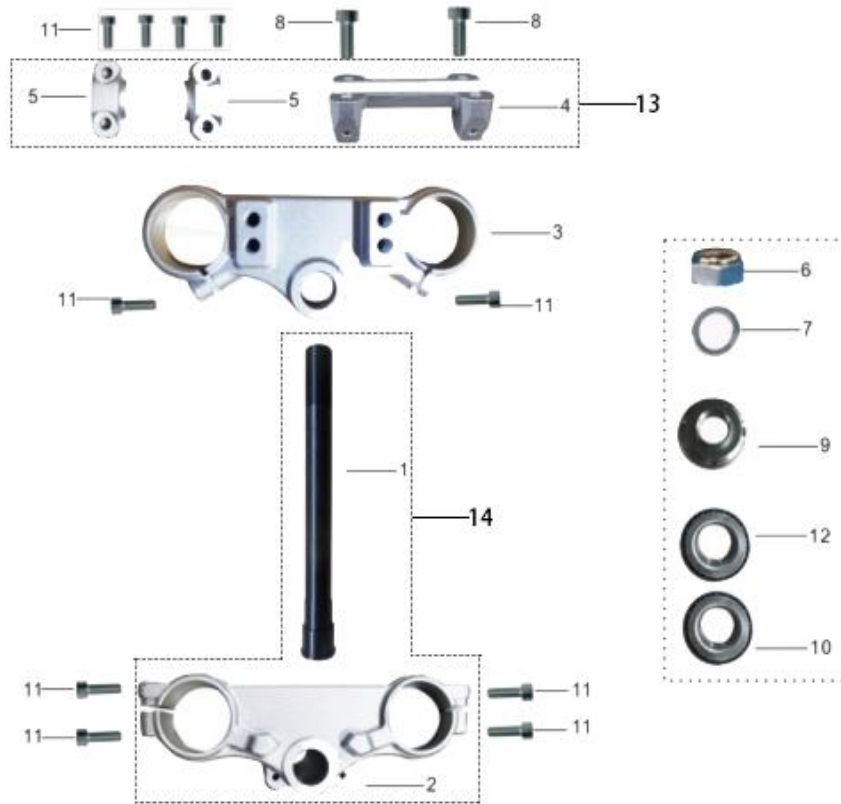
No.	Code	Name	Qty.
1	405000-0032-02	REAR BRAKE ASSY.	1
1-1	405009-0004	REAR BRAKE BRACKET	1
1-2	405008-0001	REAR BRAKE PAD	1
2	903006-0002-03	FLANGE NUT-M6	2
3	903019-0005-03	FLANGE BOLT-M6*20	2
4	904002-0001-03	COTTER PIN	1

Front Shock Assy



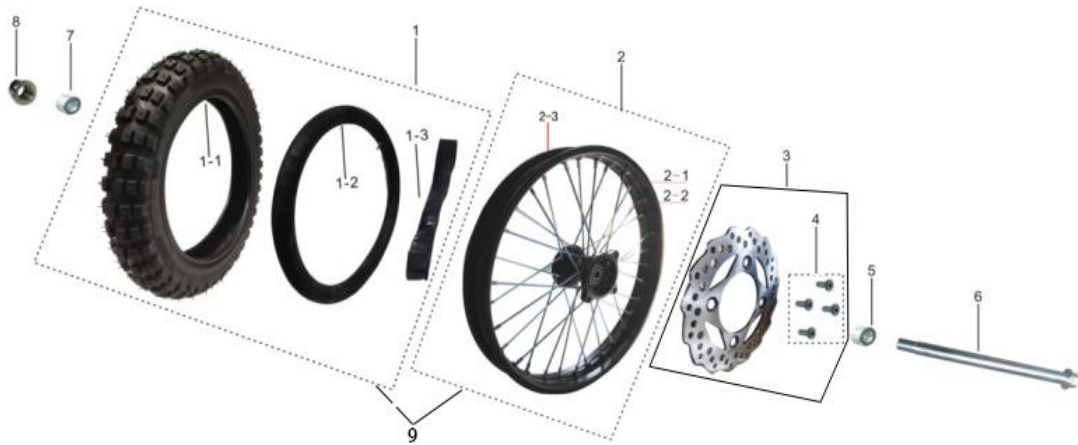
No.	Code	Name	Qty.
1	501000-0039-02	FRONT SHOCK, LH	1
1-1	501001-0003	LEFT FRONT FORK COVER	1
1	501000-0040-02	FRONT SHOCK GUARD, LH	1
2-1	501001-0004	RIGHT FRONT FORK COVER	1
3	903018-0004-03	FLANGE BOLT-M6*16	6
4	903002-0001-03	WASHER-Φ6*12*1.5	6

Clamps Assy



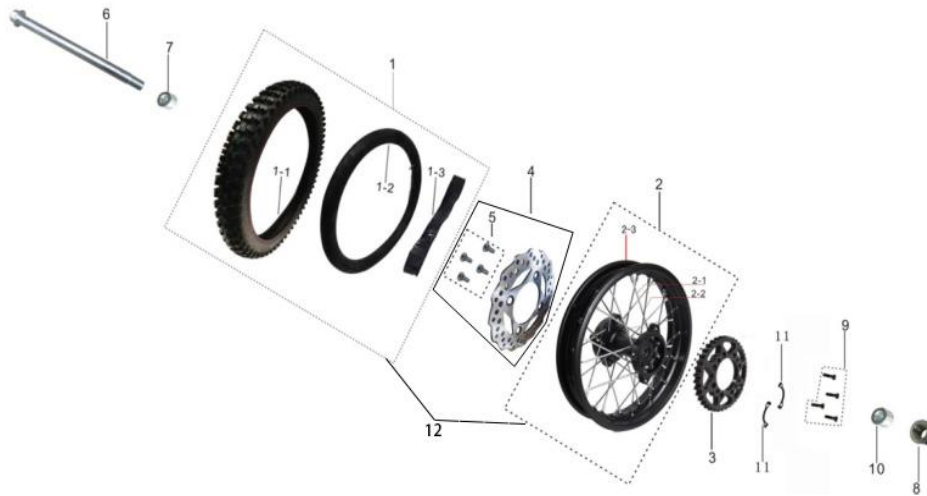
No.	Code	Name	Qty.
1	601006-0025	STEERING COLUMN	1
2	601002-0022	LOWER CLAMP	1
3	601001-0026	UPPER CLAMP	1
4	601004-0022	LOWER RAISERS	1
5	601003-0017	UPPER RAISERS	2
6	601005-0001	TOP NUT	1
7	903003-0001-02	WASHER- $\Phi 23 \times 36 \times 1.5$	1
8	903013-0036-02	SCREW-M10*30*1.5	2
9	601005-0008	DUST SEAL	1
10	907002-0007	LOWER BEARING	1
11	903013-0020-05	SCREW-M8*25	10
12	907002-0006	UPPER BEARING	1
13	C90002-0032	UPPER AND LOWER RAISER SUBASSEMBLY	1
14	C90002-0011	LOWER CLAMP SUBASSEMBLY	1

Front Wheel Assy



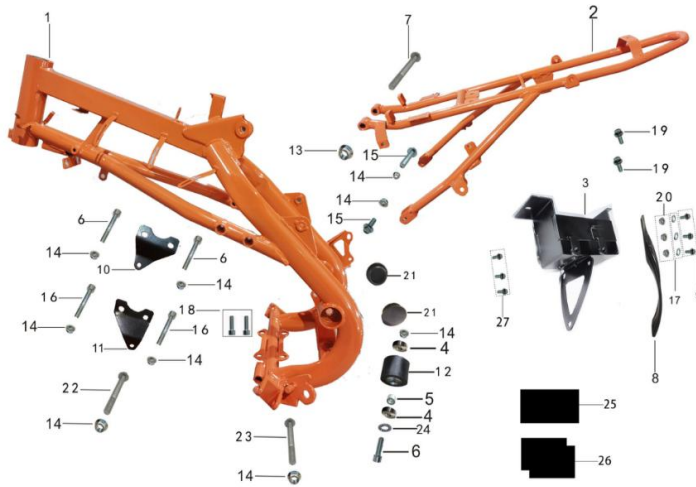
No.	Code	Name	Qty.
1	401005-0039	FRONT TYRE ASSY.	1
1-1	401006-0049	FRONT OUTER TYRE	1
1-2	401007-0012	FRONT INNER TUBE	1
1-3	401008-0003	LINING BELT	1
2	401000-0026-07	FRONT RIM ASSY.	1
2-1	401004-0009	SPOKE ASSY.	16
2-2	401004-0010	SPOKE ASSY.	16
2-3	401002-0004	WHEEL RING	1
3	404001-0020	FRONT BRAKE DISC	1
4	404011-0001	FRONT DISC BOLT-M8*16*1.25	4
5	902001-0067	FLAT WASHER	1
6	901001-0029-03	FLANGE AXLE	1
7	902001-0062	FLAT WASHER	1
8	903007-0009-02	FLANGE LOCKNUT-M14*1.5	1
9	C90002-0096	FRONT WHEEL ASSY.	1

Rear Wheel Assy



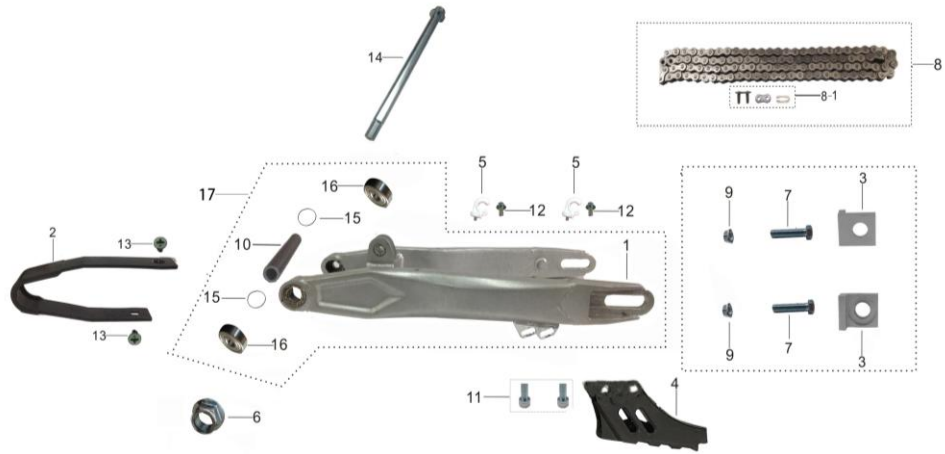
No.	Code	Name	Qty.
1	402005-0039	REAR TYRES ASSY.	1
1-1	402006-0040	FRONT OUTER TYRE	1
1-2	402007-0009	FRONT INNER TUBE	1
1-3	401008-0002	LINING BELT	1
2	402000-0030-07	REAR RIM ASSY.	1
2-1	402004-0007	SPOKE ASSY.	16
2-2	402004-0006	SPOKE ASSY.	16
2-3	402002-0002	WHEEL RING	1
3	205001-0015	STEEL REAR SPROCKET	1
4	405001-0018	REAR BRAKE DISC	1
5	404011-0001	FRONT DISC BOLT-M8*16*1.25	4
6	901001-0033-03	FLANGE AXLE	1
7	902001-0071	FLAT WASHER	1
8	903007-0009-02	FLANGE LOCKNUT- M14*1.5	1
9	903017-0004	BOLT-M8*30+Ø8.2*5.5 S13	4
10	902001-0066	FLAT BUSHING- Ø15*25*H25	1
11	906004-0001	REAR SPROCKET LOCKING TAP	2
12	C90002-0097	REAR WHEEL ASSY.	1

Frame Assy



No.	Code	Name	Qty.
1	551000-0105-04	FRAME ASSY.	1
2	552000-0029-02	SUB FRAME ASSY.	1
3	555000-0059-02	BATTERY BOX	1
4	907001-0001	BEARING	2
5	902001-0003	FLAT WASHER	1
6	903013-0025	SCREW-M8*45	3
7	903019-0024	BOLT-M10*115*1.25	1
8	801004-0008	MUD GUARD	1
9	903019-0004	FLANGE BOLT- M6*16	3
10	555000-0125	RIGHT LIFTING LUG	1
11	555000-0124	LEFT LIFTING LUG	1
12	203004-0014	CHAIN ROLLER	1
13	903007-0006-02	FLANGE LOCKNUT-M10*1.25	1
14	903007-0005	FLANGE LOCKNUT-M8	9
15	903019-0015-03	FLANGE BOLT-M8*27	2
16	903013-0024	SCREW-M8*40	2
17	903002-0002-03	SCREW-M8*40	3
18	903020-0016-02	WASHER-Φ6*18*1.5	2
19	903019-0012-03	SCREW-M8*25	2
20	903006-0002-03	FLANGE BOLT-M8*16	3
21	908004-0008	FLANGE NUT-M6	2
22	903018-0025	FLAT FORK PLUG	1
23	903018-0022	FLANGE BOLT-M8*115	1
24	903002-0004-03	FLANGE BOLT-M8*115	1
25	909010-0009	WASHER-Φ8*16*1.5	1
26	909010-0008	EVA	2
27	903018-0003-03	EVA	3

Swingarm Kit



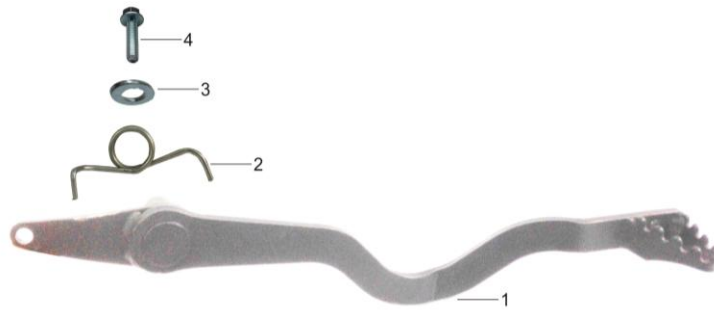
No.	Code	Name	Qty.
1	553000-0061	STEEL SWING ARM	1
2	203004-0031	CHAIN SLIDER	1
3	203002-0001-06	ALLOY ADJUSTER	2
4	203004-0036-01	CHAIN GUIDER	1
5	405010-0003	REAR BRAKE OIL PIPE CLIP	2
6	903007-0008-02	FLANGE LOCKNUT-M12*1.25	1
7	903017-0007-04	BOLT-M8*40 S10	2
8	203000-0068	CHAIN	1
8-1	203001-0004	CHAIN JOINT	1
9	903005-0006-02	NUT-M8	2
10	902001-0112	BUSH	1
11	903020-0016-02	SCREW- M8*25	2
12	903018-0003-03	FLANGE BOLT-M6*12	2
13	903018-0003-03	SCREW- M6*12	2
14	903011-0002-03	FLANGE AXLE	1
15	901001-0018	RUBBER O-SHAPE WASHER	2
16	908005-0006	BEARING	2
17	907001-0015	STEEL FORK SUBASSEMBLY	1

Rear Shock Assy



No.	Code	Name	Qty.
1	502000-0035	REAR SHOCK ASSY.	1
2	901001-0001-02	FLANGE AXLE	1
3	903007-0006-02	FLANGE LOCKNUT- M10*1.25	1

Foot Brake Lever Assy



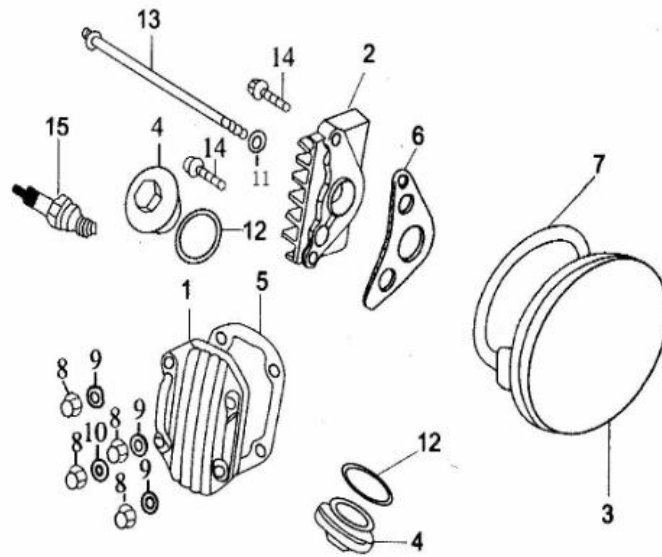
No.	Code	Name	Qty.
1	406001-0033-02	BRAKE PEDAL	1
2	407003-0009-03	BRAKE SPRING	1
3	903002-0005-03	WASHER- $\Phi 8*28*1.5$	1
4	903019-0012-03	FLANGE BOLT- M8*16	1

Engine Assy



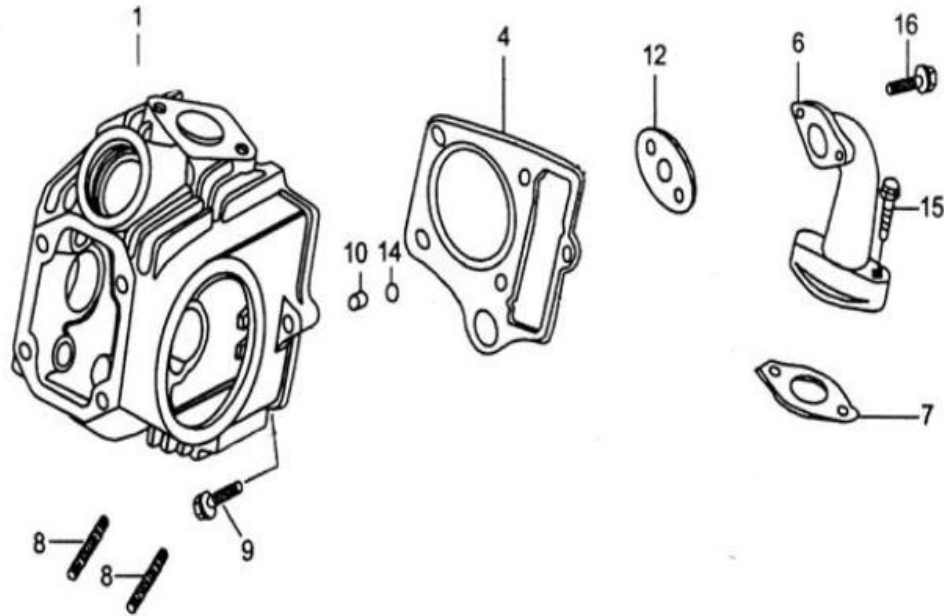
No.	Code	Name	Qty.
1	101000-0626	ENGINE ASSY	1

Cylinder Head Cover



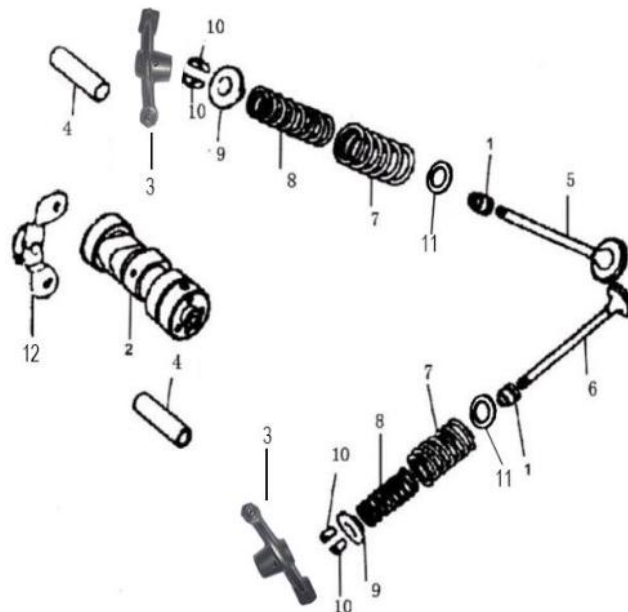
No.	Code	Name	Qty.
1	101019-0562	CYLINDER HEAD COVER	1
2	101019-0563	CYLINDER HEAD RIGHT COVER	1
3	101019-0564	CYLINDER HEAD LEFT COVER	1
4	101019-0565	VALVE COVER	2
5	101019-0566	CYLINDER HEAD COVER GASKET	1
6	101019-0567	CYLINDER HEAD RIGHT COVER GASKET	1
7	101019-0568	CYLINDER HEAD LEFT COVER GASKET	1
8	101019-0833	CAP TYPE NUT	4
9	101019-0857	IRON WASHER	3
10	101019-0858	COPPER WASHER	1
11	101019-0852	BOLT	1
12	101019-0569	O-SEAL RING	2
13	101019-0848	BOLT	1
14	101019-0838	BOLT	2
15	101019-0570	SPARK PLUG	1

Cylinder Head



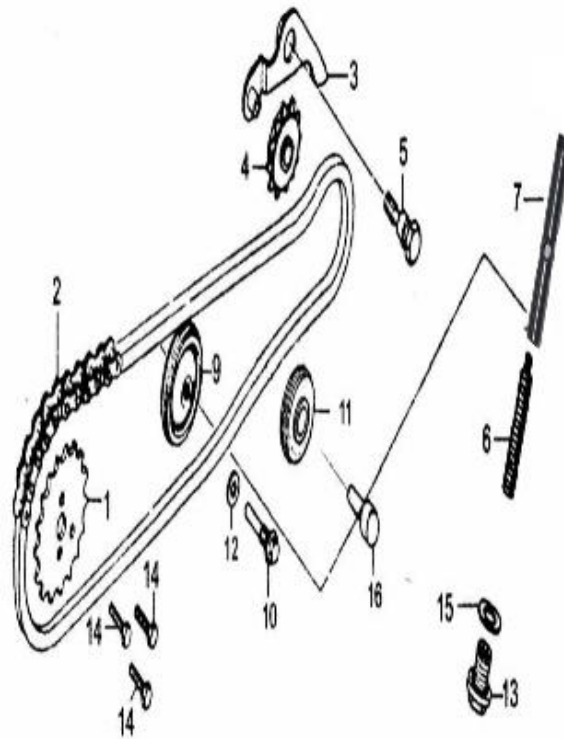
No.	Code	Name	Qty.
1	101019-0571	CYLINDER HEAD COMPONENT	1
4	101019-0572	CYLINDER HEAD GASKET	1
6	101019-0681	INTAKE PIPE	1
7	101019-0573	GASKET,INTAKE PIPE	1
8	101019-0860	DOUBLE SCREW BOLTS	2
9	101019-0856	CONNECTING BOLT	1
10	101019-0855	FLANGING COLLAR	1
12	101019-0574	BAKELITE GASKET, CARBURETOR	1
14	101019-0575	SQURE RING	1
15	101019-0836	BOLT	2
16	101019-0840	BOLT	2

Camshaft & Valves



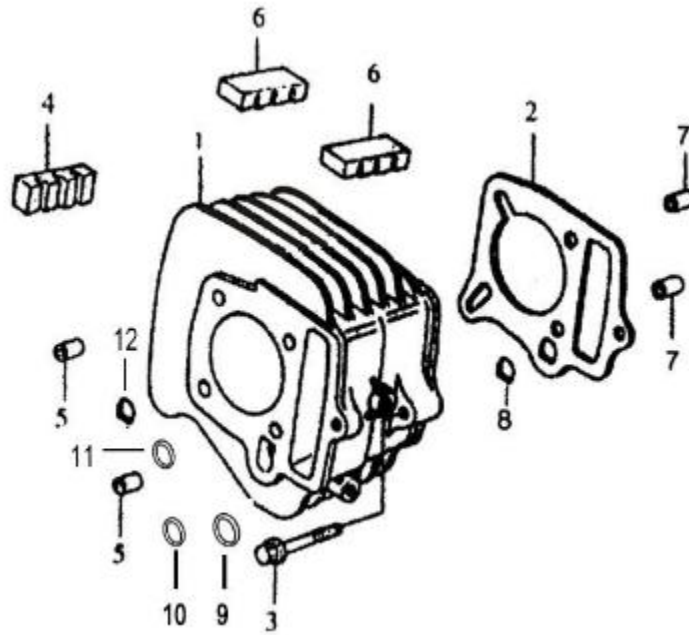
No.	Code	Name	Qty.
1	101019-0576	OIL SEAL,VALVE STEM ASSEMBLY	2
2	101019-0577	CAMSHAFT COMPONENT	1
3	101019-0578	VALVE ROCKER ARM COMPONENT	2
4	101019-0579	ROCKSHAFT	2
5	101019-0543	INTAKE VALVE	1
6	101019-0544	EXHAUST VALVE	1
7	101019-0580	VALVE OUTER SPRING	2
8	101019-0581	VALVE INNER SPRING	2
9	101019-0582	VALVE INNER AND OUTER SPRING SEAT	2
10	101019-0583	VALVE CLIPER	4
11	101019-0584	VALVE OUTER SPRING SEAT	2
12	101019-0585	LIMIT PLATE COMPONENT	1

Timing Chain & Tensioning



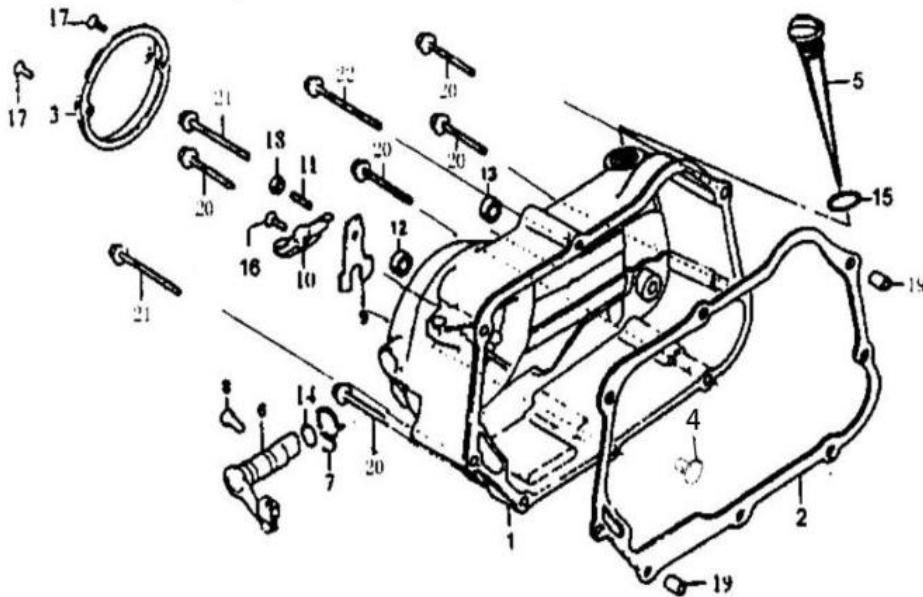
No.	Code	Name	Qty.
1	101019-0586	TIMING DRIVEN SPROCKET	1
2	101019-0587	TIMING CHAIN	1
3	101019-0588	TENSIONING ARM	1
4	101019-0589	TENSIONING ROLLER	1
5	101019-0590	MANDREL, TENSIONING ARM	1
6	101019-0591	SPRING	1
7	101019-0592	TENSIONING BAR	1
9	101019-0593	CHAIN GUIDE ROLLER ASSEMBLY	1
10	101019-0594	PIN SHAFT, CHAIN GUIDE ROLLER	1
11	101019-0595	CHAIN TENSIONING ROLLER II	1
12	101019-0853	ALUMINUM WASHER	1
13	101019-0851	SEAL SOCKET PLUG	1
14	101019-0861	HEXAGON HEAD BOLT FULL-THREAD	3
15	101019-0854	ALUMINUM WASHER	1
16	101019-0596	MANDREL, CHAIN TENSIONING ROLLER II	1

Cylinder



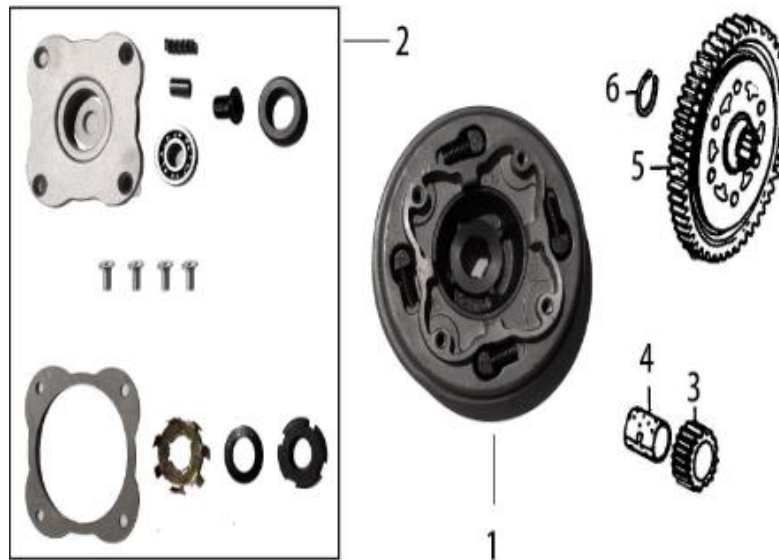
No.	Code	Name	Qty.
1	101019-0540	CYLINDER	1
2	101019-0597	CYLINDER GASKET	1
3	101019-0859	CONNECTING BOLT	1
4	101019-0598	CYLINDER DAMPING RUBBER B	1
5	101019-0850	DOWEL PIN	2
6	101019-0599	CYLINDER DAMPING RUBBER A	2
7	101019-0849	DOWEL PIN	2
8	101019-0600	SQURE RING	1
9	101019-0601	SQURE RING	1
10	101019-0602	SQURE IRON RING	1
11	101019-0603	SQURE RING	1
12	101019-0855	FLANGING COLLAR	1

Right Crankcase Cover



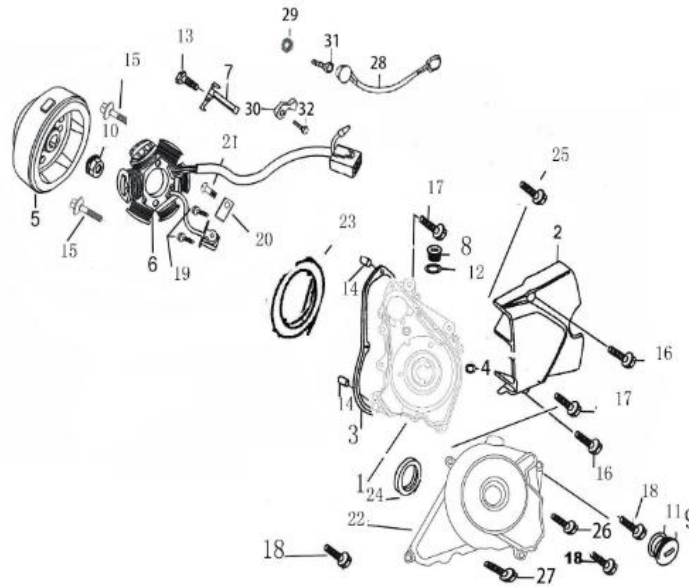
No.	Code	Name	Qty.
1	101019-0545	RIGHT CRANKCASE COVER	1
2	101019-0604	RIGHT CRANKCASE COVER GASKET	1
3	101019-0605	RIGHT DECORATE COVER	1
4	101019-0606	PUSH ROD SET	1
5	101019-0607	DIPSTICK	1
6	101019-0608	OPERATING SHAFT,CLUTCH	1
7	101019-0609	SPING, OPERATING SHAFT	1
8	101019-0610	LOCATING PIN, OPERTING SHAFT	1
9	101019-0611	CONTROL PLATE	1
10	101019-0612	PRESS BOARD, CLUTCH	1
11	101019-0613	ADJUSTING BOLT, CLUTCH	1
12	101019-0614	OIL SEAL	1
13	101019-0615	OIL SEAL	1
14	101019-0616	O-SEAL RING	1
15	101019-0617	O-SEAL RING	1
16	101019-0826	CROSS RECESSED COUNTERSUNK HEAD SCREW	1
17	101019-0832	COUNTERSUNK RAISED HEAD SCREWS WITH CROSS RECESS	2
18	101019-0829	TYPE 1 HEXAGON NUT	1
19	101019-0088	DOWEL PIN	2
20	101019-0842	BOLT	5
21	101019-0846	BOLT	2
22	101019-0845	BOLT	1

Clutch



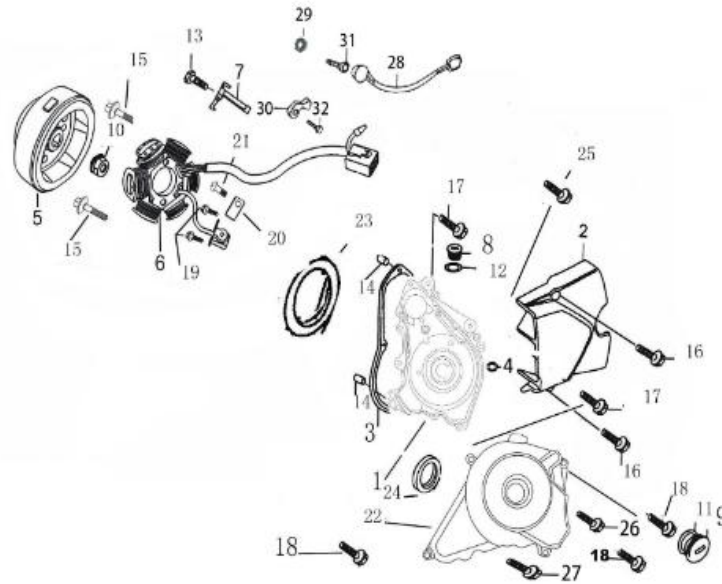
No.	Code	Name	Qty.
1	101019-0618	CLUTCH BODY	1
2	101019-0619	CLUTCH ACCESSORY ASSEMBLY	1
3	101019-0620	DRIVING GEAR	1
4	101019-0621	DRIVING GEAR SHAFT SLEEVE	1
5	101019-0622	DRIVEN GEAR	1
6	101019-0623	RETAINING RING, DRIVEN GEAR	1

Left Crankcase Cover & Magnetic Motor



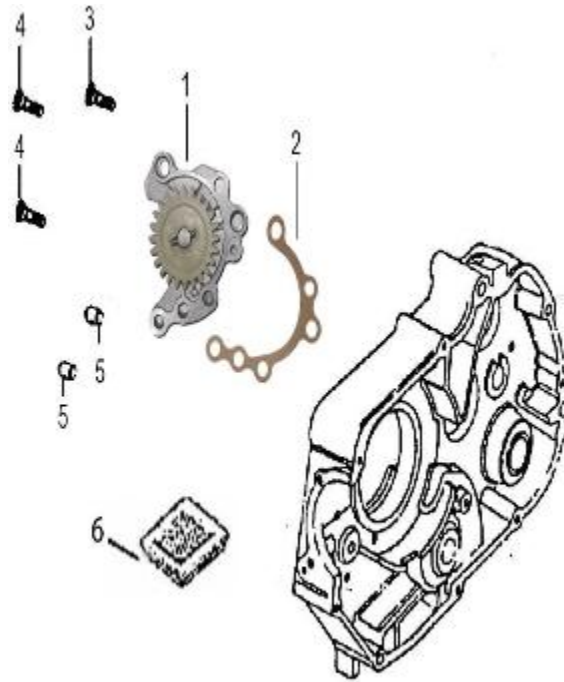
No.	Code	Name	Qty.
1	101019-0624	LEFT CRANKCASE COVER PLATE	1
2	101019-0550	REAR COVER.LH	1
3	101019-0625	GASKET,CRANKCASE,LH	1
4	101019-0626	O-RING	1
5	101019-0627	ROTOR,MAGNETO	1
6	101019-0628	STATOR,MAGNETO	1
7	101019-0629	WIRE CLAMP	1
8	101019-0630	A.C GENERATOR CAP	1
9	101019-0631	HOLE PLUG	1
10	101019-0632	LOCK NUT	1
11	101019-0633	O-RING	1
12	101019-0634	O-RING	1
13	101019-0835	BOLT	1
14	101019-0088	SET PIN	2
15	101019-0837	BOLT	2

Left Crankcase Cover & Magnetic Motor



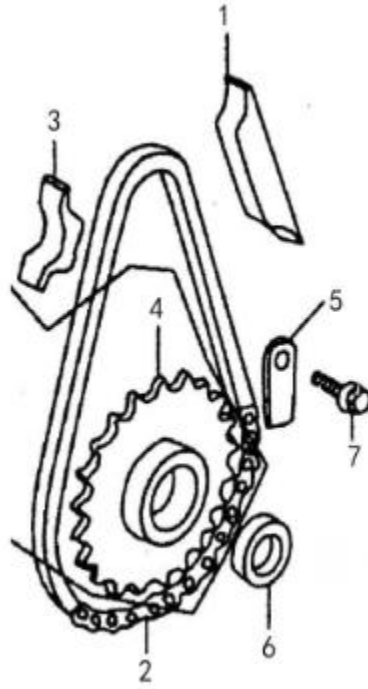
No.	Code	Name	Qty.
16	101019-0839	BOLT	2
17	101019-0840	BOLT	3
18	101019-0841	BOLT	1
19	101019-0827	SCREW	2
20	101019-0635	WIRE CLAMP	1
21	101019-0825	SCREW	2
22	101019-0550	CRANKCASE COVER, LH	1
23	101019-0636	O-RING	1
24	101019-0637	OIL SEAL	1
25	101019-0847	BOLT	1
26	101019-0838	BOLT	1
27	101019-0843	BOLT	1
28	101017-0316	RUBBER PLUG	1
29	101017-0317	WASHER, GEARSHIFT DRUM	1
30	101017-0318	BAFFLE, VALVE CAMSHAFT	1
31	101017-0462	HEXAGON HEAD BOLT FULL-THREAD	1
32	101017-0427	BOLT	1

OIL PUMP



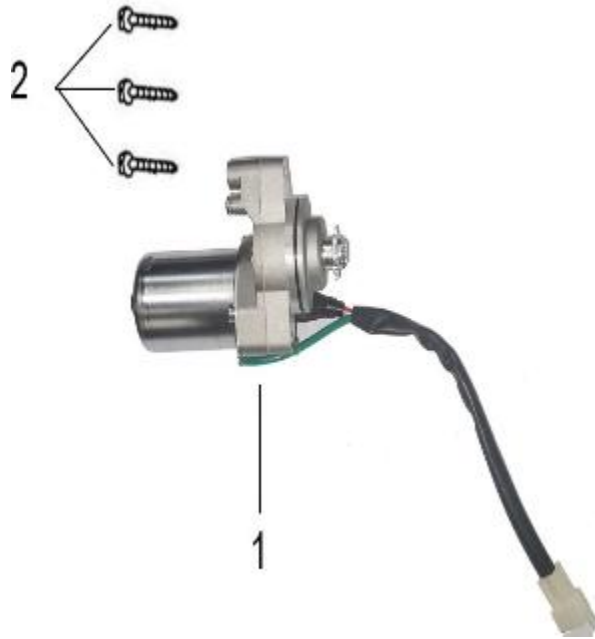
No.	Code	Name	Qty.
1	101019-0641	OIL PUMP ASSEMBLY	1
2	101019-0642	GASKET,OIL PUMP	1
3	101019-0830	CROSS RECESSED COUNTERSUNK HEAD SCREW	1
4	101019-0831	CROSS RECESSED COUNTERSUNK HEAD SCREW	2
5	101019-0088	DOWEL PIN	2
6	101019-0643	GAUZE COMP.	1

Starting Clutch



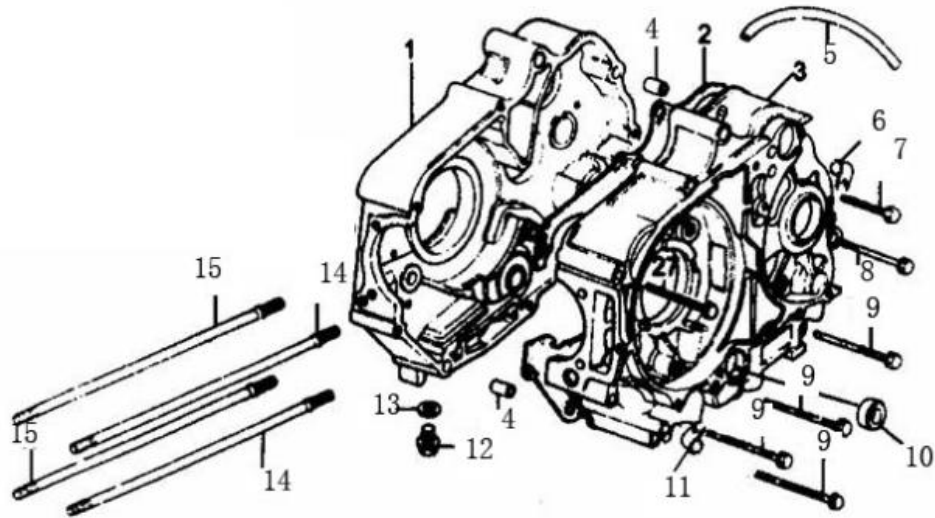
No.	Code	Name	Qty.
1	101019-0644	STARTER CHAIN GUIDE	1
2	101019-0645	STARTING CHAIN	1
3	101019-0646	GUIDE PLATE, CHAIN	1
4	101019-0647	STARTING SPROCKET COMPONENT	1
5	101019-0648	CLAMP PLATE OF STARTING SPROCKET	1
6	101019-0649	OIL SEAL	1
7	101019-0828	HEXAGON HEAD BOLT FULL-THREAD	1

Starting Motor



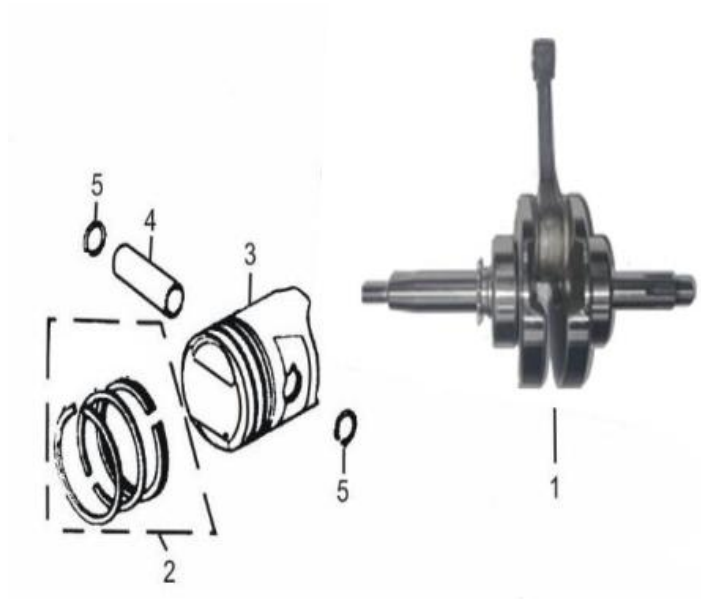
No.	Code	Name	Qty.
1	101019-0650	STARTING MOTOR	1
2	101019-0838	BOLT	2

Crankcase



No.	Code	Name	Qty.
1	101019-0553	RIGHT CRANKCASE COMPONENT	1
2	101019-0651	CRANKCASE GASKET	1
3	101019-0554	LEFT CRANKCASE ASSEMBLY	1
4	101019-0066	DOWEL PIN	1
5	101019-0652	AIR PIP	1
6	101019-0653	CLAMP, EXHAUST PIPE	1
7	101019-0843	BOLT	1
8	101019-0844	BOLT	1
9	101019-0845	BOLT	4
10	101019-0654	OIL SEAL	1
11	101019-0655	OVERFLOW PIPE CLAMP	1
12	101019-0656	PLUG, DRAIN	1
13	101019-0657	ALUMINUM WASHER	1
14	101019-0658	DOUBLE SCREW BOLTS A	2
15	101019-0659	DOUBLE SCREW BOLTS B	2

Crankshaft& Piston



No.	Code	Name	Qty.
1	101019-0660	CRANK CONNECTING ROD ASSEMBLY	1
2	101019-0661	PISTON RING SETS	1
3	101019-0662	PISTON	1
4	101019-0663	PIN, PISTON	1
5	101019-0664	C-SHAPED RETAINING RING , PISTON PIN	2

Transmission



No.	Code	Name	Qty.
1	101019-0665	MAIN SHAFT COMPONENTS	1
2	101019-0666	COUNTERSHAFT ASSEMBLY	1
3	101019-0667	DRIVING SPROCKET	1
4	101019-0668	DRIVING SPROCKET FIXING PLATE	1
5	101019-0669	OIL SEAL	1
6	101019-0670	HEXAGON HEAD BOLT FULL-THREAD	2
7	101019-0671	BEARING	2
8	101019-0672	BEARING	1
9	101019-0673	BEARING	1

Kick-Starter



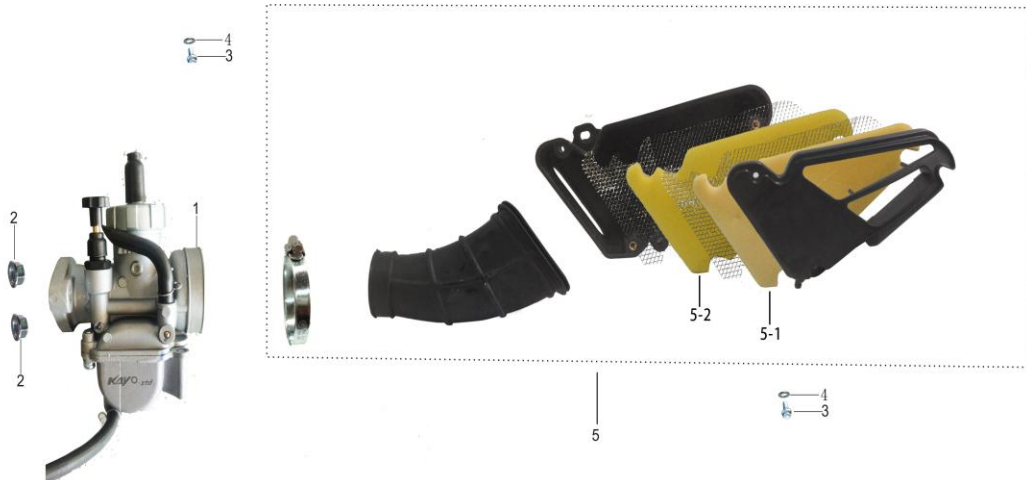
No.	Code	Name	Qty.
1	101019-0558	STARTING SHAFT COMPONENT	1
2	101019-0674	KICK STARTER	1
3	101019-0560	GEARSHIFT ARM ASSEMBLY	1
4	101019-0675	POSITIONING BOLT, GEARSHIFT ARM	1
5	101019-0676	GEARSHIFT DRUM	1
6	101019-0677	LOCATOR, GEARSHIFT	1
7	101019-0678	SPRING, GEARSHIFT LOCATOR	1
8	101019-0679	GEARSHIFT PADEL	1
9	101019-0680	OIL SEAL	1
10	101017-0462	HEXAGON HEAD BOLT FULL-THREAD	1

Sidestand & Footpegs Assy



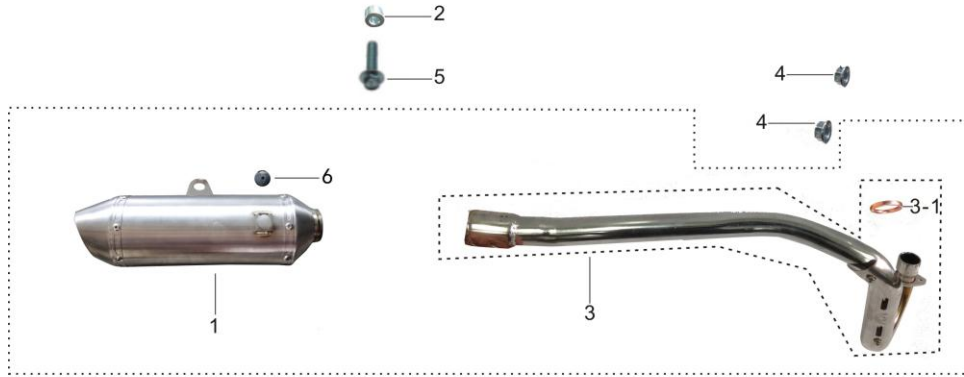
No.	Code	Name	Qty.
1	554000-0032	SIDE STAND	1
2	407002-0001	SIDE STAND SPRING	1
3	903020-0002-03	BOLT- M10*35*1.5 S17	1
4	903007-0007-03	FLANGE LOCKNUT- M10*1.5	1
5	506003-0013-01	RIGHT STEEL FOOTPEG	1
6	904001-0002	HINGE PIN	2
7	407001-0007	RIGHT FOOTPEG SPRING	1
8	904002-0002-03	COTTER PIN	2
9	506003-0012-01	LEFT STEEL FOOTPEG	1
10	407001-0006	LEFT FOOTPEG SPRING	1
11	903019-0004	FLANGE BOLT-M6*16	2
12	109001-0003-02	ENGINE BASH PLATE	1
13	903002-0011-02	WASHER-Φ13*20*1.5	1
14	903002-0004-03	WASHER-Φ8*16*1.5	2
15	903018-0012-03	FLANGE BOLT- M8*40	2
16	C90002-0165	SIDE STAND SUBASSEMBLY	1
17	C90002-0015-02	CAST STEEL FOOT PEG ASSEMBLY	1

Carburetor & Air Filter Assy



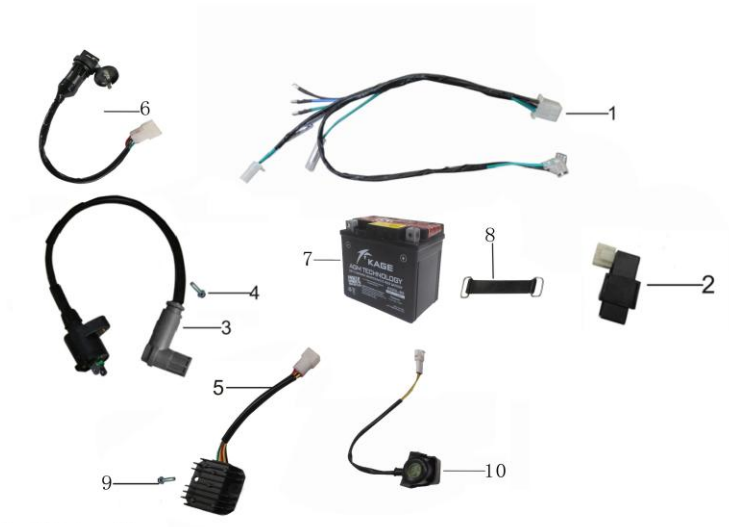
No.	Code	Name	Qty.
1	102000-0058	CARBURETOR	1
2	903006-0002-03	FLANGE NUT- M6	2
3	903018-0005-03	FLANGE BOLT-M6*20	2
4	903002-0002-03	WASHER-Φ6*18*1.5	2
5	105000-0033	AIR FILTER ASSY.	1
5-1	105002-0001	AIR FILTER SPONGE	1
5-2	105002-0002	AIR FILTER SPONGE	1

Muffler Assy



No.	Code	Name	Qty.
1	106002-0038	MUFFLER	1
2	902001-0009	FLAT BUSHING- Φ 8*20*H14	1
3	106001-0106	EXHAUST PIPE	1
3-1	106003-0002	MUFFLER SEAL	1
4	903007-0003	FLANGE LOCKNUT-M6	2
5	903019-0018-02	BOLT M8*35 S12	1
6	908007-0052	INSULATED SPACER	1

Electric Component Assy



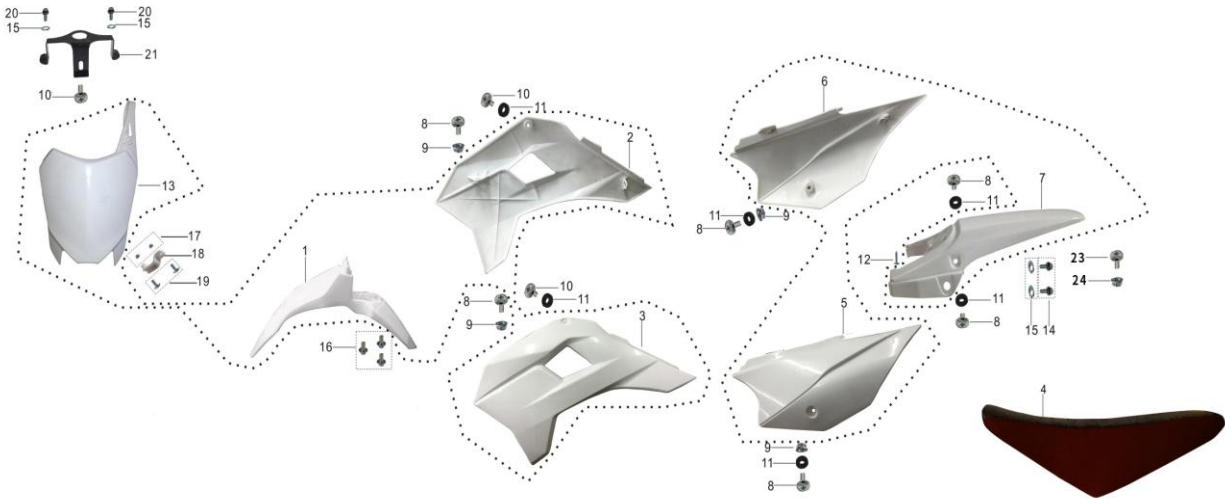
No.	Code	Model	Name
1	309001-0136	MAIN CABLE	1
1	309001-0136-02	MAIN CABLE	1
2	303001-0001	CDI	1
3	306001-0001	IGNITION COIL	1
4	903018-0005-03	FLANGE BOLT- M6*20	1
5	302001-0002	REGULATOR	1
6	314001-0003-04	ELECTRIC LOCK	1
7	312001-0044	BATTERY	1
8	908007-0073	BATTERY PROTECTOR	1
9	903018-0004-03	BOLT M6*16	1
10	301001-0001	RELAY	1

Fuel Tank Assy



No.	Code	Name	Qty.
1	805001-0020-02	FUEL TANK ASSY	1
1-1	805004-0032	FUEL TANK SWITCH	1
2	903019-0010-03	FLANGE BOLT- M6*35	2
3	805003-0004	FUEL TANK CAP-PLASTIC	1
4	805005-0001-06	FUEL TANK BREATHE VALVE	1
5	903012-0006-03	SCREW-TM6*12	1
6	906002-0002	OIL PIPE CLIP	1
7	906002-0001	OIL PIPE CLIP	3
8	903019-0016-03	FLANGE BOLT-M8*30	1
9	903002-0005-03	WASHER-Φ8*28*1.5	1
10	906002-0003	OIL PIPE CLIP	1
11	906002-0004	OIL PIPE CLIP	1
12	903018-0003-03	FLANGE BOLT- M6*12	4
13	108001-0002	OIL FILTER	1

Plastic Assy



No.	Code	Name	Qty.
1	801013-0002	FRONT FENDER	1
1	801013-0002-05	FRONT FENDER	1
2	801007-0002-05	RIGHT FRONT PANEL	1
2	801007-0002-06	RIGHT FRONT PANEL	1
3	801007-0001-05	LEFT FRONT PANEL	1
3	801007-0001-06	LEFT FRONT PANEL	1
4	701000-0004-05	SEAT ASSY	1
5	801007-0003-05	LEFT REAR PANEL	1
5	801007-0003-06	LEFT REAR PANEL	1
6	801007-0004-05	RIGHT REAR PANEL	1
6	801007-0004-06	RIGHT REAR PANEL	1
7	801004-0007-07	REAR PANEL	1
7	801004-0007-08	REAR PANEL	1
8	903012-0007-04	SCREW TM6*16	6
9	903006-0002-03	FLANGE NUT-M6	4
10	903012-0011-03	SCREW TM6*10	3
11	908003-0002	RUBBER WASHER-Φ5.5*15*2	6
12	903010-0007-02	SCREW ST4.8*16	1
13	801013-0001-02	FRONT PLATE	1
13	801013-0001-05	FRONT PLATE	1
14	903019-0005-03	FLANGE BOLT-M6*20	2
15	903002-0002-03	WASHER-Φ6*18*1.5	4
16	903018-0004-03	BOLT M6*16	3
17	903008-0024-02	NUT-M4	2
18	801003-0011	CLIP	1

19	903009-0003-03	SCREW-M4*12	2
20	903018-0003-03	BOLT M6*12	2
21	555000-0181	FRONT PLATE BRACKET	1
22	801013-0001-02	FRONT PLATE	1
23	903012-0003-03	SCREW TM5*16	1
24	903007-0001-03	NUT M5	1
	C90002-0160	PLASTICS KIT	1

Sticker



No.	Code	Name	Qty.
1	802007-0370-03	STICKER	1
2	802007-0371-02	STICKER - FRONT SHOCK COVER	1
3	802018-0116	SHEATH COVER	1
4	802013-0007	WARNING LABEL	1