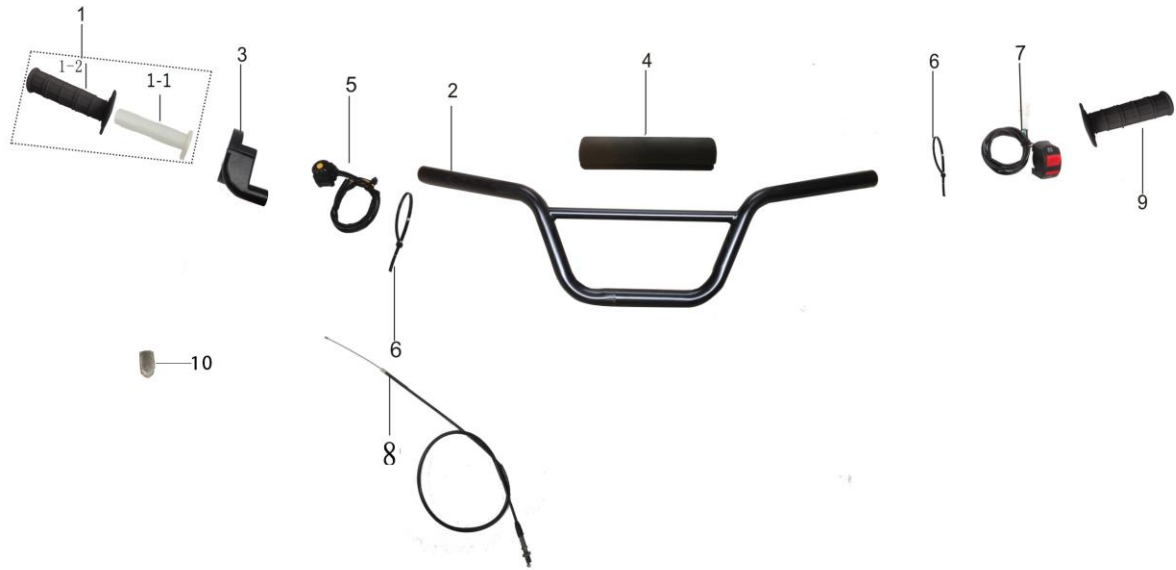


TS90 Parts Catalog

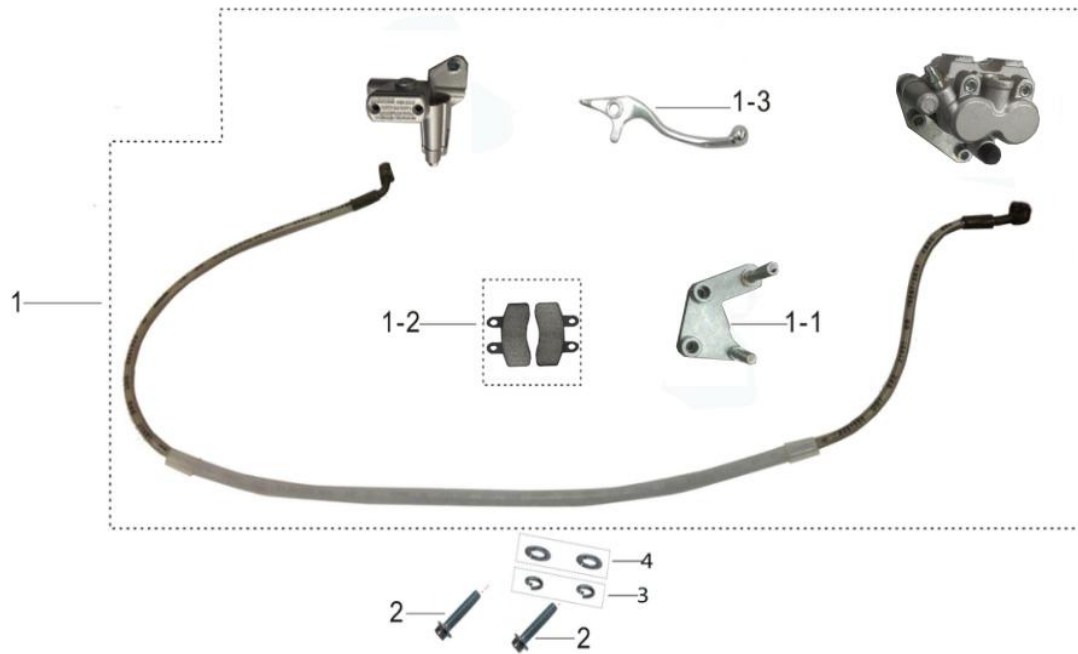


Handlebar Assy



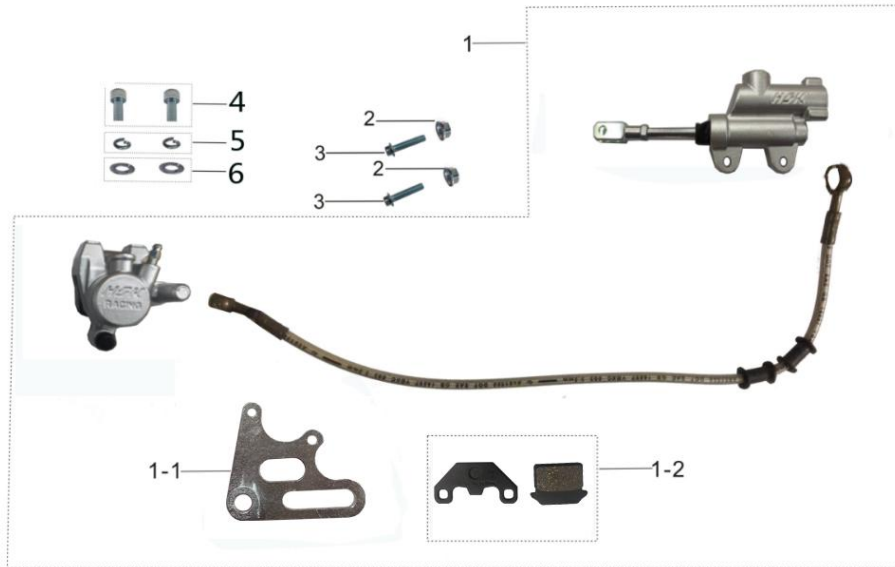
No.	Code	Name	Qty.
1	602006-0004-02	RIGHT HANDLEBAR GRIP (INCLUDING THROTTLE TUBE)	1
1-1	602012-0002	THROTTLE TUBE	1
1-2	602006-0005-02	HANDLEBAR GRIP	1
2	602001-0004-01	STEEL HANDLEBAR	1
3	602011-0003	THROTTLE PERCH	1
4	602017-0002	HANDLEBAR PAD	1
5	313002-0007	START SWITCH	1
5	313002-0007-02	START SWITCH	1
6	906003-0002	CABLE TIES	2
7	313003-0015	STOP SWITCH	1
7	313003-0015-02	STOP SWITCH	1
8	602014-0024	THROTTLE CABLE	1
9	602006-0003-02	LEFT HANDLEBAR GRIP	1
10	908004-0018	SILICONE PROTECTIVE CASE	1

Front Brake Assy



No.	Code	Name	Qty.
1	404000-0168	FRONT BRAKE ASSY	1
1	404000-0168-02	FRONT BRAKE ASSY	1
1-1	404008-0020	FRONT BRAKE BRACKET	1
1-2	404007-0008	FRONT BRAKE PAD	1
1-3	404002-0008	UNFOLD BRAKE LEVER	1
2	903018-0012	FLANGE BOLT-M8*40	2
2	903018-0012-03	FLANGE BOLT-M8*40	2
3	903001-0004	SPRING WASHER-Φ8*13*2	2
3	903001-0003-02	SPRING WASHER-Φ8*13*2	2
4	903002-0004	WASHER-Φ8*16*1.5	2
4	903002-0004-03	WASHER-Φ8*16*1.5	2

Rear Brake Assy



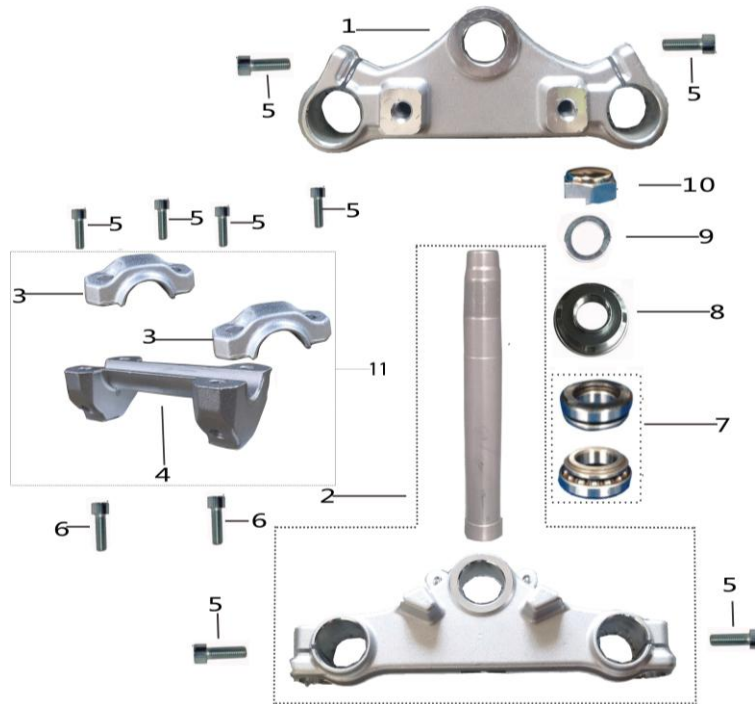
No.	Code	Name	Qty.
1	405000-0003	REAR BRAKE ASSY	1
1-1	405009-0005	REAR BRAKE BRACKET	1
1-2	405008-0004	REAR BRAKE PAD	1
2	903006-0002	FLANGE NUT-M6	2
2	903006-0002-03	FLANGE NUT-M6	2
3	903019-0005	FLANGE BOLT-M6*20	2
3	903019-0005-03	FLANGE BOLT-M6*20	2
4	903013-0017	SCREW-M8*16	2
4	903013-0017-03	SCREW-M8*16	2
5	903001-0004	SPRING WASHER-Φ8*13*2	2
5	903001-0003-02	SPRING WASHER-Φ8*13*2	2
6	903002-0004	WASHER-Φ8*16*1.5	2
6	903002-0004-03	WASHER-Φ8*16*1.5	2

Front Shock Assy



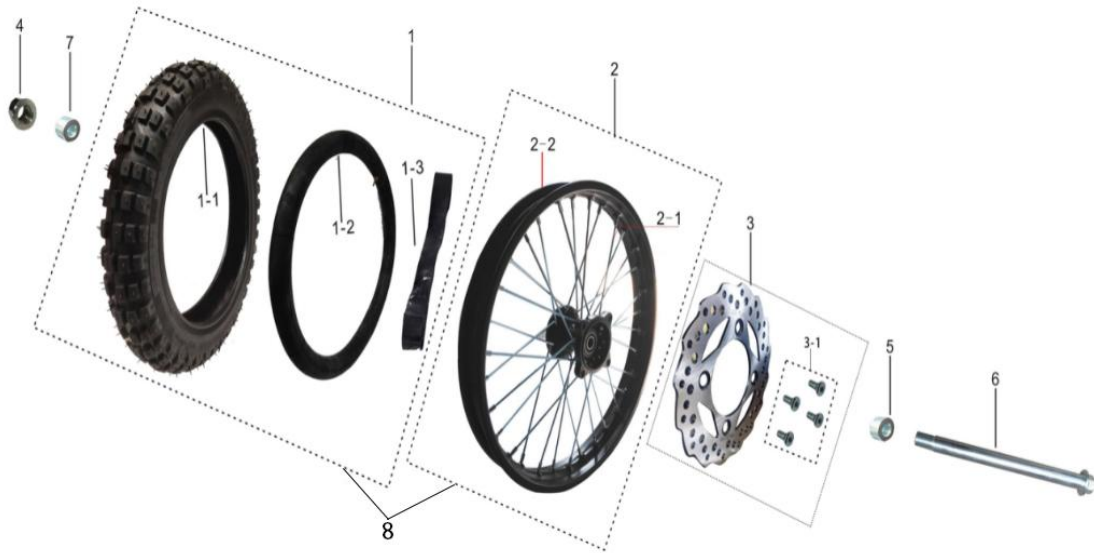
No.	Code	Name	Qty.
1	501000-0115	FRONT SHOCK, RH	1
2	501000-0114	FRONT SHOCK, LH	1

Clamps Assy



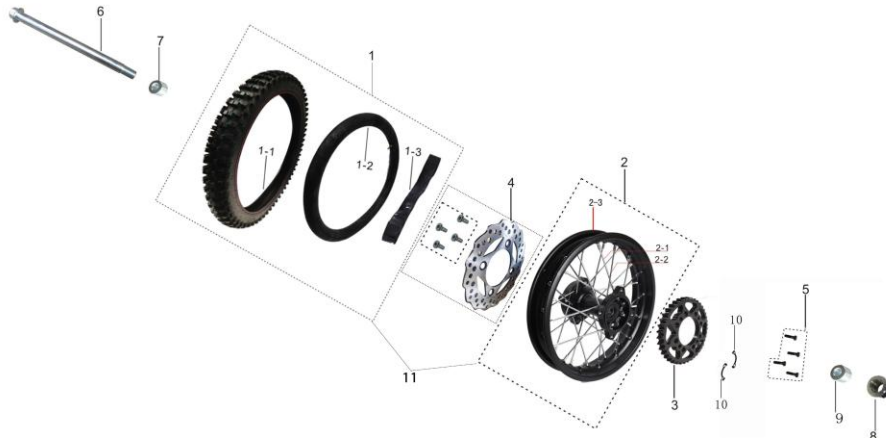
No.	Code	Name	Qty.
1	601001-0025	UPPER CLAMP	1
2	601002-0027	LOWER CLAMP	1
3	601003-0017	UPPER RAISER	2
4	601004-0022	LOWER RAISER	1
5	903013-0020	SCREW- M8*25	8
5	903013-0020-05	SCREW- M8*25	8
6	903013-0036	SCREW-M10*30*1.5	2
6	903013-0036-02	SCREW-M10*30*1.5	2
7	907001-0028	BEARING	1
8	601005-0009	DUST SEAL	1
9	601005-0012	WASHER-Φ23*36*1.5	1
10	601005-0001	TOP NUT	1
11	C90002-0032	UPPER AND LOWER CLAMPING BLOCK ASSEMBLY	1

Front Wheel Assy



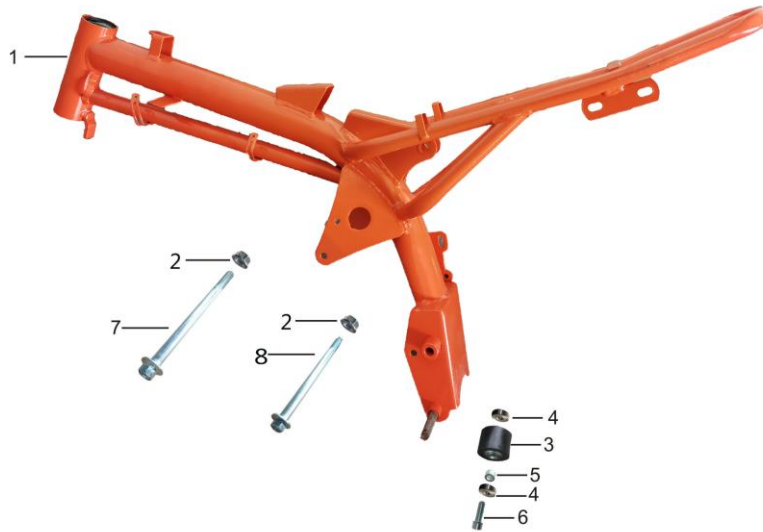
No.	Code	Name	Qty.
1	401005-0036	FRONT TYRE & INNER TUBE ASSY	1
1-1	401006-0047	FRONT TYRE	1
1-2	401007-0003	FRONT INNER TUBE	1
1-3	401008-0001	INNER TUBE BAND	1
2	401000-0008-02	FRONT WHEEL	1
2	401000-0008-05	FRONT WHEEL	1
2-1	401004-0002	SPOKE ASSY.-12'	32
2-2	401002-0008	FRONT RIM	1
3	404001-0019	FRONT BRAKE DISC-WAVE	1
3-1	404011-0001	FLANGE BOLT-M8*16*1.25	4
4	903007-0009	FLANGE LOCKNUT-M14*1.5	1
4	903007-0009-02	FLANGE LOCKNUT-M14*1.5	1
5	902001-0068	FLAT BUSHING-Φ15*25*H27	1
6	901001-0027	FLANGE AXLE-Φ15*195*M14*1.5MM	1
7	902001-0060	FLAT BUSHING-Φ15*25*H17	1
8	C90002-0088	FRONT WHEEL ASSY	1

Rear Wheel Assy



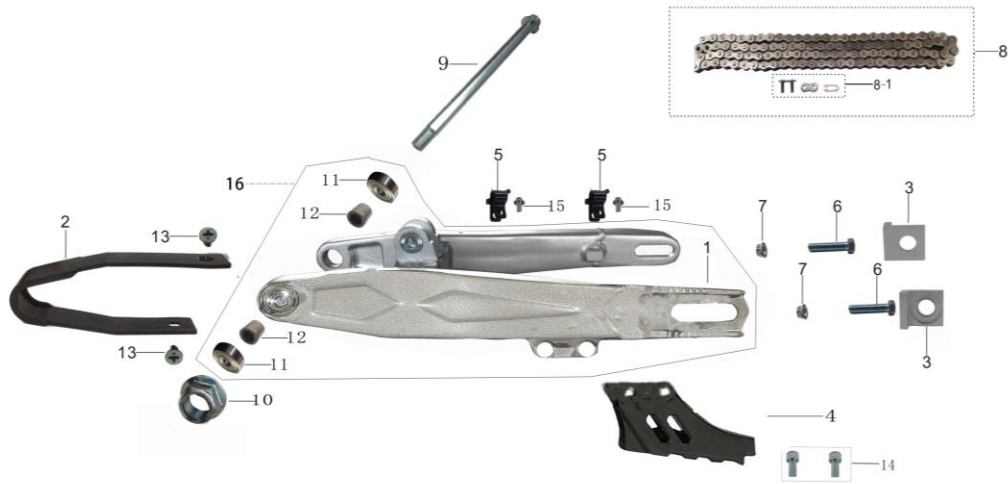
No.	Code	Name	Qty.
1	402005-0036	REAR TYRE & INNER TUBE ASSY	1
1-1	402006-0038	REAR TYRE	1
1-2	402007-0019	REAR INNER TUBE	1
1-3	401008-0001	INNER TUBE BAND	1
2	402000-0010-02	REAR WHEEL	1
2	402000-0010-05	REAR WHEEL	1
2-1	402004-0002	INNER REAR SPOKE 10'.	16
2-2	402004-0001	OUTER REAR SPOKE 10'.	16
2-3	402002-0005	REAR RIM	1
3	205001-0034	STEEL REAR SPROCKET	1
3	205001-0006	STEEL REAR SPROCKET	1
4	405001-0017	REAR BRAKE DISC- WAVE	1
5	903014-0006	SCREW-M8*25	4
5	903017-0004	BOLT-M8*25	4
6	901001-0033	FLANGE AXLE- Φ 15*225*M14*1.5MM	1
7	902001-0069	FLAT BUSHING- Φ 15*25*H28	1
8	903007-0009	FLANGE LOCKNUT-M14*1.5	1
8	903007-0009-02	FLANGE LOCKNUT-M14*1.5	1
9	902001-0071	WASHER- Φ 15*25*H33	1
10	906004-0001	REAR SPROCKET LOCKING TAP	2
11	C90002-0089	REAR WHEEL ASSY	1

Frame Assy



No.	Code	Name	Qty.
1	551000-0110-03	FRAME ASSY	1
2	903007-0005	FLANGE LOCKNUT-M8	2
3	203004-0014	CHAIN ROLLER	1
4	907001-0001	BEARING	2
5	902001-0003	WASHER-Ø8*12*H13	1
6	903013-0024	SCREW-M8*40 J350016	1
7	903018-0023	SCREW- M8*110 J390019	1
8	903018-0024	FLANGE BOLT-M8*110	1
8	903018-0024-02	FLANGE BOLT-M8*110	1

Swingarm Kit



No.	Code	Name	Qty.
1	553000-0058	STEEL SWINGARM	1
2	203004-0049	CHAIN SLIDER	1
3	203002-0001-06	ALLOY CHAIN ADJUSTOR	2
4	203004-0036-01	CHAIN GUIDE	1
5	405010-0003	REAR BRAKE HOSE CLIP	2
6	903017-0007-03	BOLT-M8*40 S10	2
6	903017-0007-04	BOLT-M8*40 S10	2
7	903005-0006	NUT-M8	2
7	903005-0006-02	NUT-M8	2
8	203000-0055	CHAIN	1
8	203001-0002	CHAIN JOINT	1
9	901001-0005	FLANGE AXLE-Φ10*185*M10*1.25MM	1
10	903007-0006	FLANGE LOCKNUT-M10*1.25	1
10	903007-0006-02	FLANGE LOCKNUT-M10*1.25	1
11	907001-0014	BEARING	2
12	902001-0035	FLAT BUSHING-Φ10.2*22.5*H16	2
13	903011-0002	SCREW-M6*12	2
13	903011-0002-03	SCREW-M6*12	2
14	903020-0015	SCREW-M8*20	2
14	903020-0015-02	SCREW-M8*20	2
15	903018-0003	FLANGE BOLT-M6*12	2
15	903018-0003-03	FLANGE BOLT-M6*12	2
16	C90002-0016-02	STRAIGHT SWINGARM ASSEMBLY	1

Chain Cover Assy



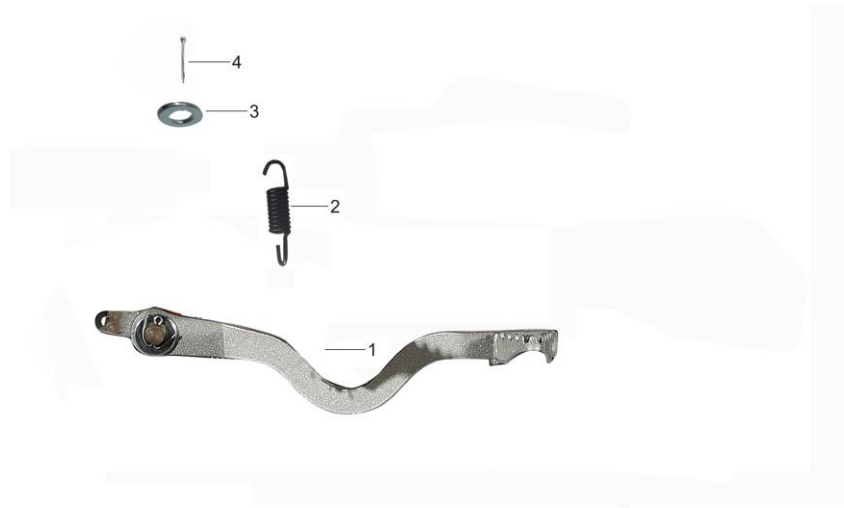
No.	Code	Name	Qty.
1	203004-0048	CHAIN COVER	1
2	903018-0003	FLANGE BOLT-M6*12	2
2	903018-0003-03	FLANGE BOLT-M6*12	2
3	903002-0002	WASHER-Φ6*18*1.5	2
3	903002-0002-03	WASHER-Φ6*18*1.5	2

Rear Shock Assy



No.	Code	Name	Qty.
1	502000-0008	REAR SHOCK	1
2	901001-0001	FLANGE AXLE- Φ10*45*M10*1.25MM	2
3	903007-0006	FLANGE LOCKNUT-M10*1.25	2
3	903007-0006-02	FLANGE LOCKNUT-M10*1.25	2

Foot Brake Lever Assy



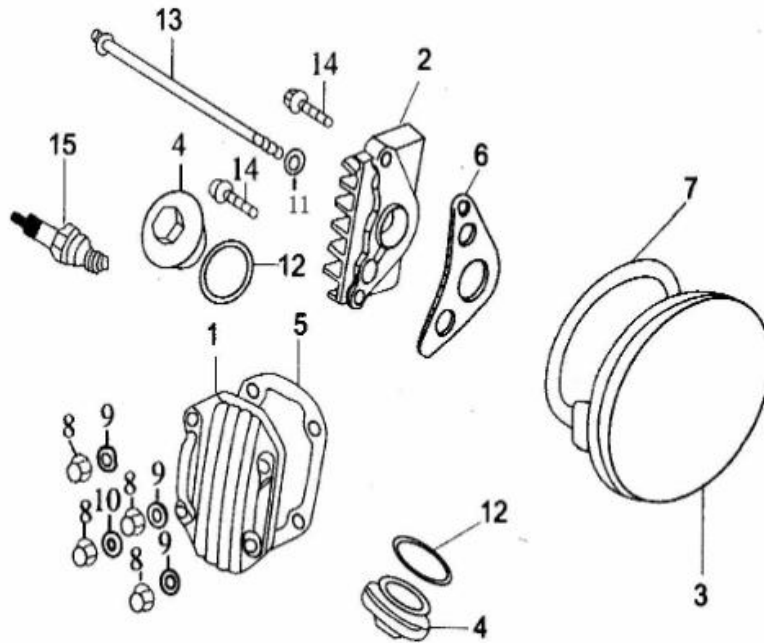
No.	Code	Name	Qty.
1	406001-0020-02	FOOT BRAKE LEVER	1
2	407003-0002	BRAKE SPRING	1
3	903002-0013	WASHER-Φ15*28*2.5	1
3	903002-0013-03	WASHER-Φ15*28*2.5	1
4	904002-0003	COTTER PIN	1
4	904002-0003-03	COTTER PIN	1

Engine Assy



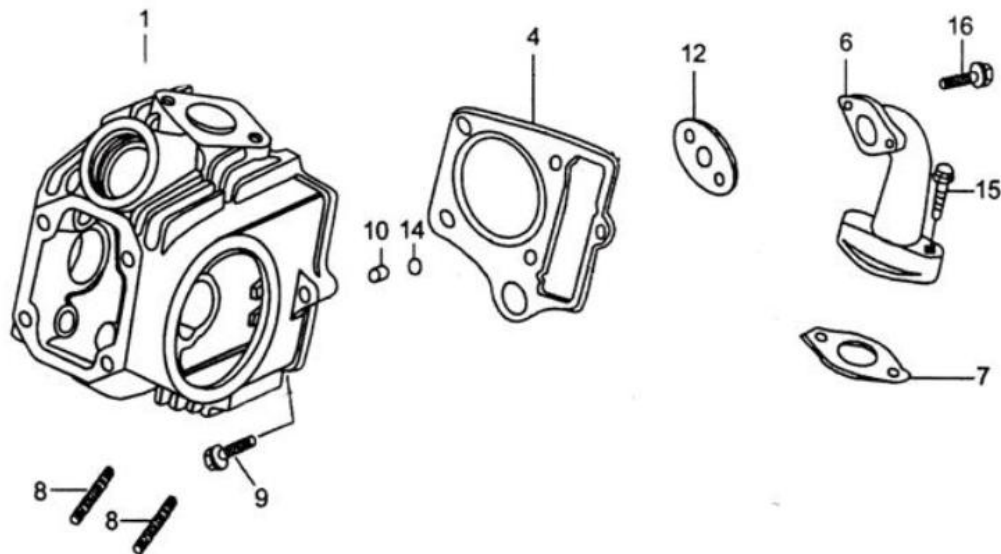
No.	Code	Name	Qty.
1	101000-0536	ENGINE ASSY	1
1	101000-0622	ENGINE ASSY	1
1	101000-0643	ENGINE ASSY	1

Cylinder Head Cover



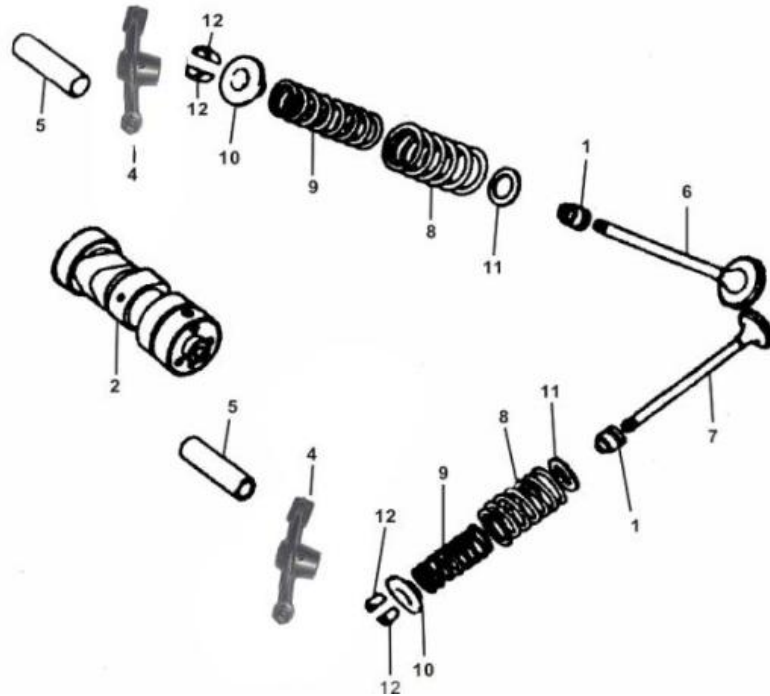
No.	Code	Name	Qty.
1	101017-0243	CYLINDER HEAD COVER	1
2	101017-0244	RIGHT CYLINDER HEAD COVER	1
3	101017-0245	CYLINDER HEAD LEFT COVER	1
4	101017-0246	VALVE COVER	2
5	101017-0247	CYLINDER HEAD COVER GASKET	1
6	101017-0248	RIGHT CYLINDER HEAD COVER GASKET	1
7	101017-0249	LEFT CYLINDER HEAD COVER GASKET	1
8	101017-0461	CAP TYPE NUT, M6	4
9	101017-0475	IRON WASHER, $\Phi 6.2 \times \Phi 13 \times 2$	3
10	101017-0476	COPPER WASHER, $\Phi 6.5 \times \Phi 13 \times 2$	1
11	101017-0474	BOLT, $\Phi 6 \times \Phi 13 \times 2$	1
12	101017-0250	O-SEAL RING, $\Phi 29.6 \times 3.2$	2
13	101017-0013	BOLT, M6x110	1
14	101017-0014	BOLT, M6x20	2
15	101017-0251	SPARK PLUG	1

Cylinder Head



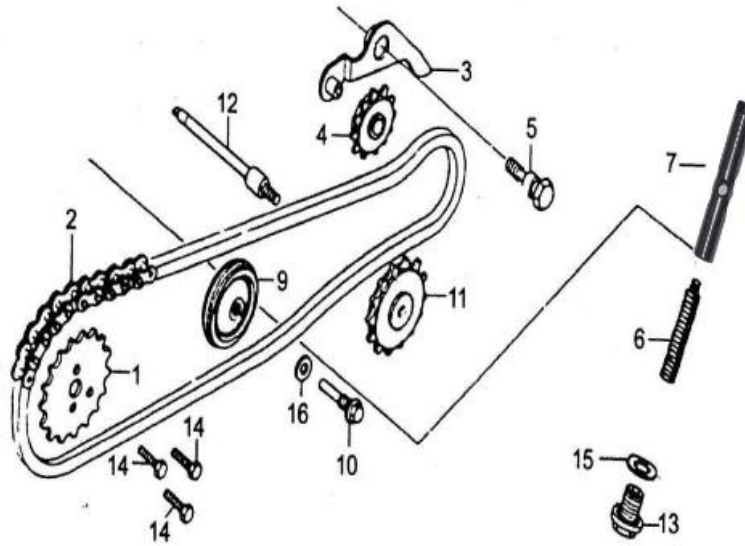
No.	Code	Name	Qty.
1	101017-0252	CYLINDER HEAD COMPONENT	1
4	101017-0253	CYLINDER HEAD GASKET	1
6	101017-0254	INTAKE PIPE	1
7	101017-0255	INTAKE PIPE GASKET	1
8	101017-0256	STUD BOLT, M6×35	2
9	101017-0023	CONNECTING BOLT, M6×23	1
10	101017-0460	FLANGING COLLAR, Ø9.5	1
12	101017-0257	CARBURETOR BAKELITE GASKET	1
14	101017-0258	SQURE RING	1
15	101017-0464	BOLT, M6×25	2
16	101017-0464	BOLT, M6×25	2

Camshaft & Valves



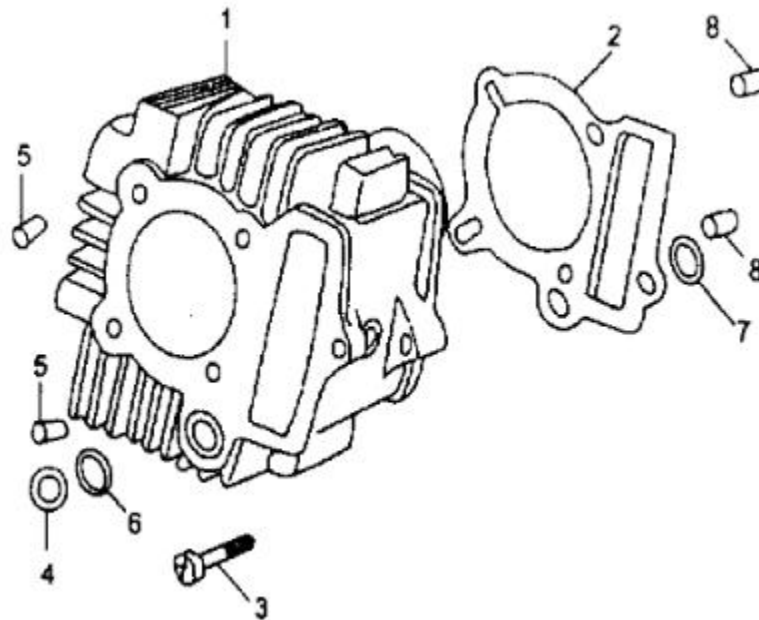
No.	Code	Name	Qty.
1	101017-0259	OIL SEAL,VALVE STEM ASSEMBLY	2
2	101017-0260	CAMSHAFT COMPONENT	1
4	101017-0261	VALVE ROCKER ARM COMPONENT	2
5	101017-0262	ROCKSHAFT	2
6	101017-0228	INTAKE VALVE	1
7	101017-0229	EXHAUST VALVE	1
8	101017-0263	VALVE OUTER SPRING	2
9	101017-0264	VALVE INNER SPRING	2
10	101017-0265	VALVE INNER AND OUTER SPRING SEAT	2
11	101017-0266	VALVE OUTER SPRING SEAT	2
12	101017-0267	VALVE CLIPER	4

Timing Chain Accessories



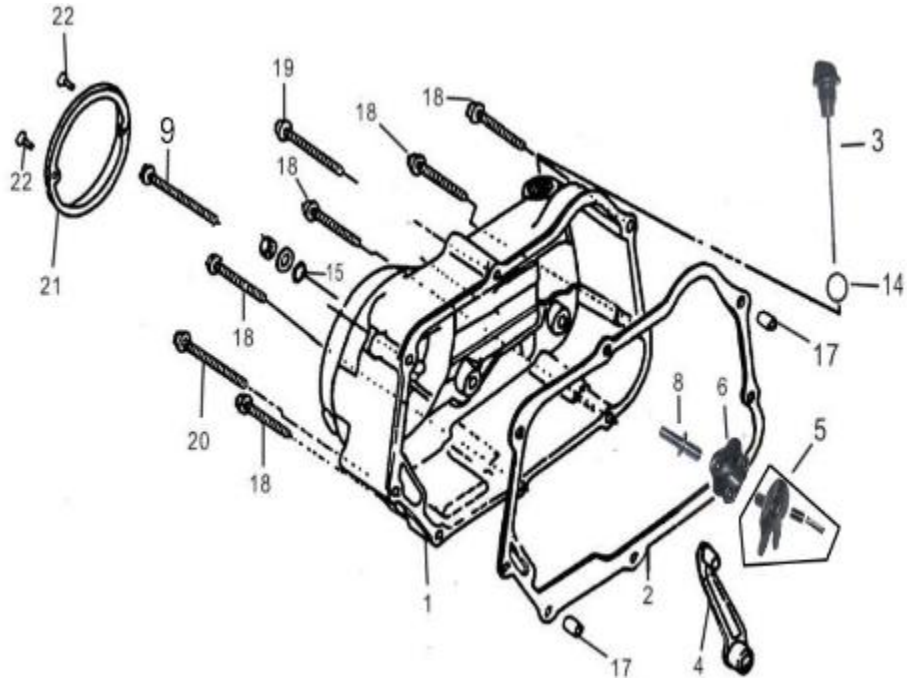
No.	Code	Name	Qty.
1	101017-0268	TIMING DRIVEN SPROCKET	1
2	101017-0269	TIMING CHAIN	1
3	101017-0270	TENSIONING ARM	1
4	101017-0271	TENSIONING ROLLER	1
5	101017-0272	MANDREL, TENSIONING ARM	1
6	101017-0273	SPRING, $\Phi 0.6 \times 111.7$	1
7	101017-0274	TENSIONING BAR	1
9	101017-0275	CHAIN GUIDE ROLLER ASSEMBLY	1
10	101017-0276	CHAIN GUIDE ROLLER PIN SHAFT	1
11	101017-0277	OIL PUMP SPROCKET	1
12	101017-0278	OIL PUMP SPROCKET SHAFT	1
13	101017-0279	SEAL SOCKET PLUG	1
14	101017-0280	HEXAGON HEAD BOLT , M5 \times 12	3
15	101017-0397	ALUMINUM WASHER, $\Phi 14 \times \Phi 20 \times 1.5$	1
16	101017-0398	ALUMINUM WASHER, $\Phi 14 \times \Phi 20 \times 1.5$	1

Cylinder



No.	Code	Name	Qty.
1	101017-0230	CYLINDER	1
2	101017-0281	CYLINDER GASKET	1
3	101017-0282	CONNECTING BOLT, M6×20	1
4	101017-0283	SQURE IRON RING	1
5	101017-0065	DOWEL PIN, Ø8×14	2
6	101017-0284	SQURE RING, 14.5×18.5×2.5	1
7	101017-0285	SQURE RING, 11.5×16×2.5	1
8	101017-0132	DOWEL PIN, Ø8×12	2

Right Crankcase Cover



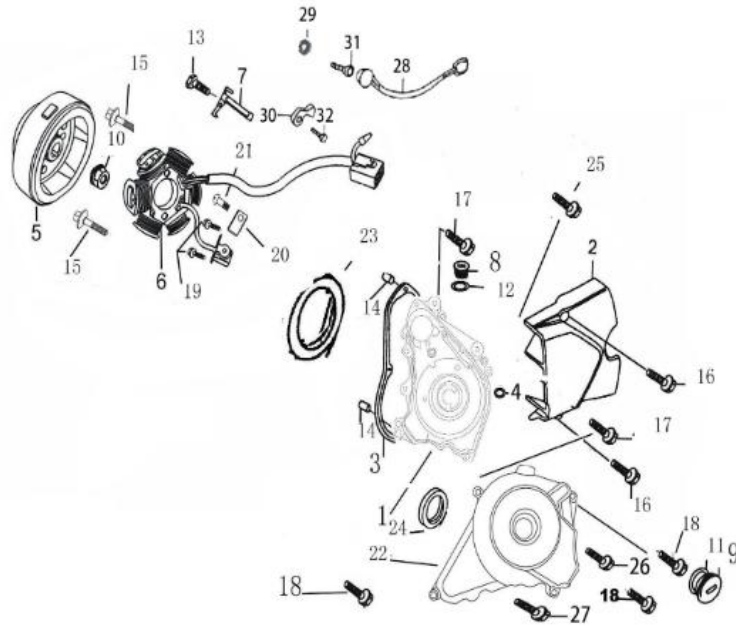
No.	Code	Name	Qty.
1	101017-0231	RIGHT CRANKCASE COVER	1
2	101017-0286	RIGHT CRANKCASE COVER GASKET	1
3	101017-0287	DIPSTICK	1
4	101017-0288	MANIPULATOR ARM	1
5	101017-0289	CAM DISC, CLUTCH	1
6	101017-0290	CLUTCH TAPPET ASSEMBLY	1
8	101017-0291	ADJUSTING BOLT, CLUTCH	1
9	101017-0468	BOLT, M6×85	1
14	101017-0292	O-SEAL RING, Φ18×3.5	1
15	101017-0293	O-SEAL RING, Φ7.5×1.8	1
17	101017-0132	DOWEL PIN, Φ8×12	2
18	101017-0466	BOLT, M6×40	5
19	101017-0194	BOLT, M6×65	1
20	101017-0467	BOLT, M6×80	1
21	101017-0294	RIGHT DECORATE COVER	1
22	101017-0470	BOLT, M6×22	2

Clutch



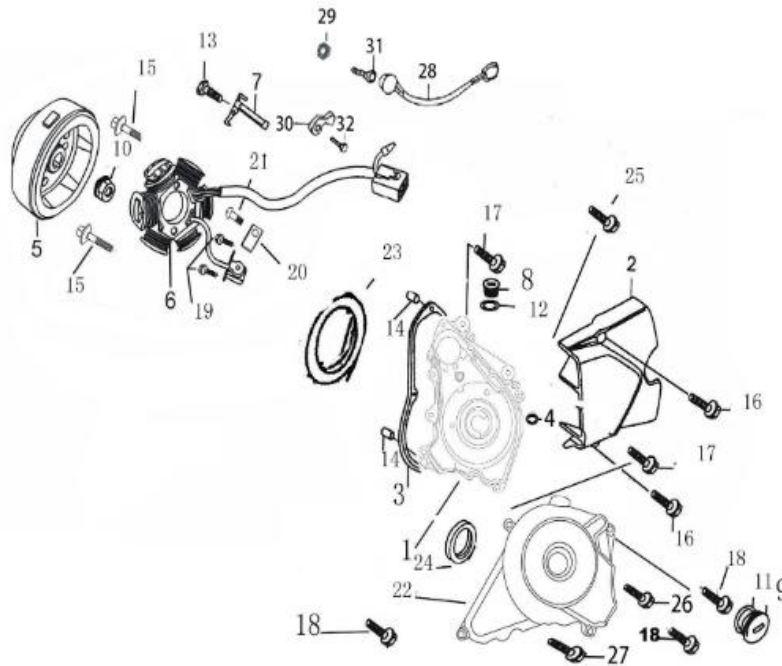
No.	Code	Name	Qty.
1	101017-0295	CLUTCH BODY	1
2	101017-0296	CLUTCH ACCESSORY ASSEMBLY	1
3	101017-0297	DRIVING GEAR SHAFT SLEEVE	1
4	101017-0298	DRIVING GEAR	1
5	101017-0299	DRIVEN GEAR	1
6	101017-0300	RETAINING RING, DRIVEN GEAR	1

Left Crankcase Cover & Magnetic Motor



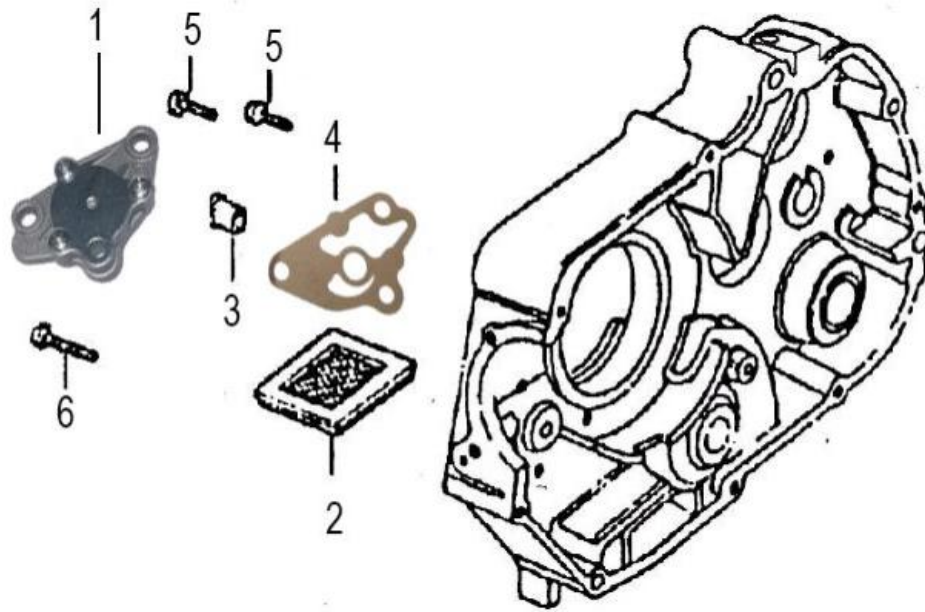
No.	Code	Name	Qty.
1	101017-0301	LEFT CRANKCASE COVER PLATE	1
2	101017-0234	REAR LEFT CRANKCASE COVER	1
3	101017-0302	FRONT LEFT CRANKCASE COVER GASKET	1
4	101017-0303	O-SEAL RING	1
5	101017-0304	MAGNETO ROTOR	1
6	101017-0305	MAGNETO STATOR	1
7	101017-0306	WIRE CLAMP	1
8	101017-0307	A.C GENERATOR CAP	1
9	101017-0308	HOLE PLUG	1
10	101017-0309	LOCK NUT, M10×1.25	1
11	101017-0310	O-RING, Φ27.4×2.4	1
12	101017-0311	O-RING, Φ13.8×2.5	1
13	101017-0463	BOLT, M6×14	1
14	101017-0132	SET PIN, M6×14	2
15	101017-0477	BOLT, M6×22	2

Left Crankcase Cover & Magnetic Motor



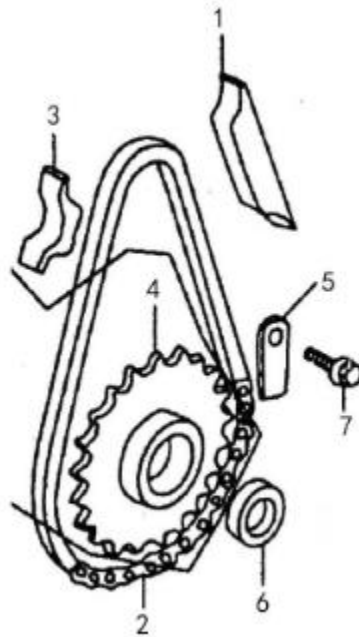
No.	Code	Name	Qty.
16	101017-0312	BOLT, M6×28	2
17	101017-0135	BOLT, M6×32	3
18	101017-0465	BOLT, M6×35	1
19	101017-0058	SCREW, M5×12	2
20	101017-0313	WIRE CLAMP	1
21	101017-0471	SCREW, M5×6	2
22	101017-0233	CRANKCASE COVER,LH	1
23	101017-0314	O-RING	1
24	101017-0315	OIL SEAL	1
25	101017-0469	BOLT, M6×105	1
26	101017-0464	BOLT, M6×25	1
27	101017-0136	BOLT, M6×50	1
28	101017-0316	RUBBER PLUG	1
29	101017-0317	WASHER, GEARSHIFT DRUM	1
30	101017-0318	BAFFLE, VALVE CAMSHAFT	1
31	101017-0462	HEXAGON HEAD BOLT, M6×16	1
32	101017-0427	BOLT, M6×12	1

Oil Pump



No.	Code	Name	Qty.
1	101017-0236	OIL PUMP ASSEMBLY	1
2	101017-0319	GAUZE COMP.	1
3	101017-0320	SHAFT COLLAR, OIL PUMP	1
4	101017-0321	GASKET, OIL PUMP	1
5	101017-0472	SCREW, M6×16	2
6	101017-0473	SCREW, M6×22	1

Starting Clutch



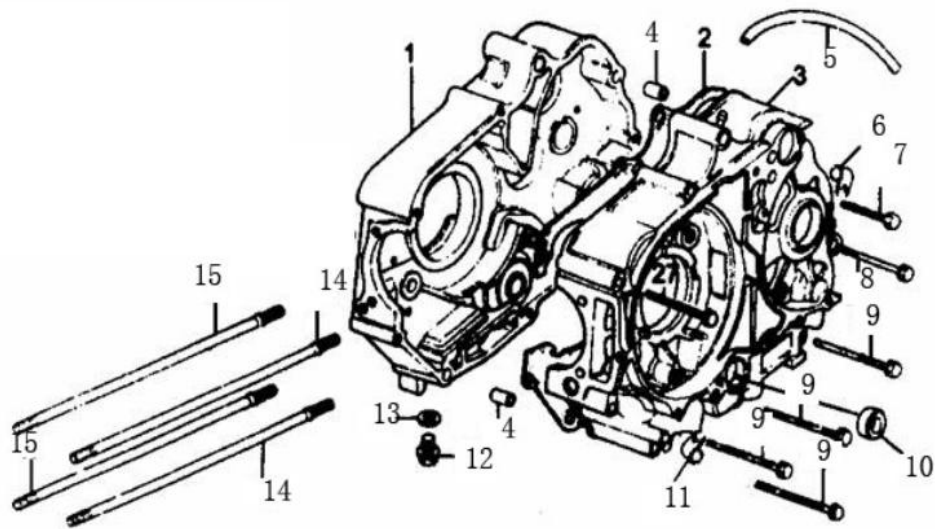
No.	Code	Name	Qty.
1	101017-0322	STARTER CHAIN GUIDE	1
2	101017-0323	STARTING CHAIN	1
3	101017-0324	GUIDE PLATE, CHAIN	1
4	101017-0325	STARTING SPROCKET COMPONENT	1
5	101017-0326	CLAMP PLATE OF STARTING SPROCKET	1
6	101017-0167	OIL SEAL	1
7	101017-0220	HEXAGON HEAD BOLT (FULL-THREAD)	1

Starting Motor



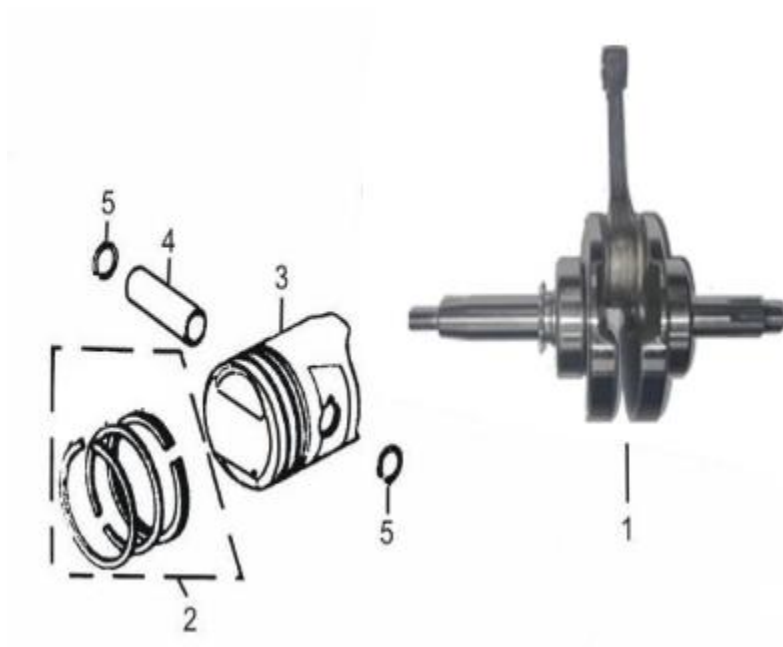
No.	Code	Name	Qty.
1	101017-0237	STARTING MOTOR	1
2	101017-0464	BOLT, M6×25	2

Crankcase



No.	Code	Name	Qty.
1	101017-0238	RIGHT CRANKCASE COMPONENT	1
2	101017-0327	CRANKCASE GASKET	1
3	101017-0238	LEFT CRANKCASE ASSEMBLY	1
4	101017-0192	DOWEL PIN, $\Phi 10 \times 14$	1
5	101017-0328	AIR PIP	1
6	101017-0329	CLAMP, EXHAUST PIPE	1
7	101017-0195	BOLT, M6 \times 50	1
8	101017-0478	BOLT, M6 \times 60	1
9	101017-0194	BOLT, M6 \times 65	4
10	101017-0330	OIL SEAL, 11.6 \times 24 \times 10	1
11	101017-0331	OVERFLOW PIPE CLAMP	1
12	101017-0332	DRAIN BOLT, M12 \times 1.5	1
13	101017-0333	ALUMINUM WASHER	1
14	101017-0334	BOLT A, M6 \times 202	2
15	101017-0335	BOLT B, M6 \times 194	2

Crankshaft & Piston



No.	Code	Name	Qty.
1	101017-0240	CRANK CONNECTING ROD ASSEMBLY	1
2	101017-0336	PISTON RING SETS	1
3	101017-0337	PISTON	1
4	101017-0338	PISTON PIN	1
5	101017-0339	C-SHAPED RETAINING RING , PISTON PIN	2

Transmission



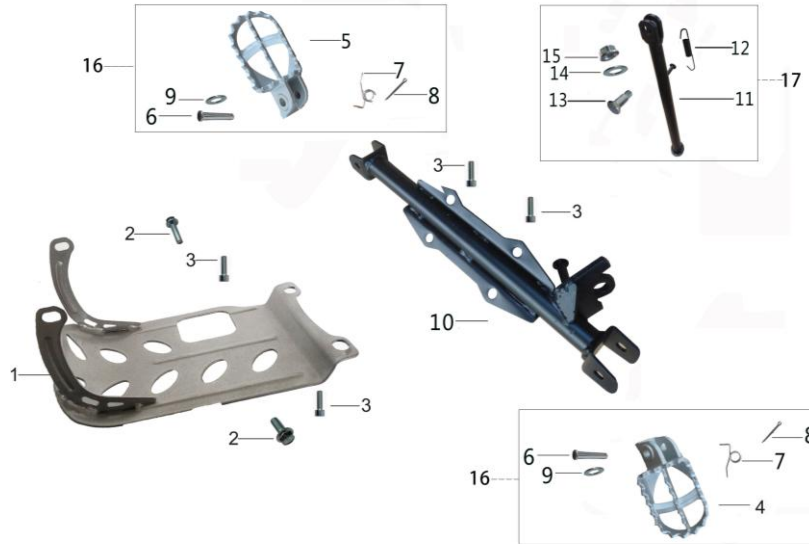
No.	Code	Name	Qty.
1	101017-0340	MAIN SHAFT ASSEMBLY	1
2	101017-0341	COUNTERSHAFT ASSEMBLY	1
3	101017-0342	DRIVING SPROCKET	1
4	101017-0343	DRIVING SPROCKET FIXING PLATE	1
5	101017-0344	OIL SEAL	1
6	101017-0345	HEXAGON HEAD BOLT (FULL-THREAD)	2
7	101017-0346	BEARING, 6203	2
8	101017-0347	BEARING, 6201	1
9	101017-0348	BEARING, 6001	1

Kick-Starter



No.	Code	Name	Qty.
1	101017-0349	STARTING SHAFT COMPONENT	1
2	101017-0350	KICK STARTER	1
3	101017-0351	GEARSHIFT ARM ASSEMBLY	1
4	101017-0352	POSITIONING BOLT, GEARSHIFT ARM	1
5	101017-0353	GEARSHIFT DRUM	1
6	101017-0354	LOCATOR, GEARSHIFT	1
7	101017-0355	SPRING, GEARSHIFT LOCATOR	1
8	101017-0356	GEARSHIFT PADEL	1
9	101017-0357	OIL SEAL	1
10	101017-0462	HEXAGON HEAD BOLT (FULL-THREAD)	1

Footpeg Mounting Bar Assy



No.	Code	Name	Qty.
1	109001-0006-02	ENGINE BASH PLATE	1
2	903019-0004	FLANGE BOLT-M6*16	2
3	903020-0015	SCREW-M8*20	4
3	903020-0015-02	SCREW-M8*20	4
4	506003-0028	LEFT FOOTPEG ASSY	1
5	506003-0029	RIGHT FOOTPEG ASSY	1
6	904001-0001	HINGE PIN	2
7	407001-0014	FOOTPEG SPRING	2
8	904002-0002	COTTER PIN	2
8	904002-0002-03	COTTER PIN	2
9	903002-0004	WASHER-Φ8*16*1.5	2
9	903002-0004-03	WASHER-Φ8*16*1.5	2
10	506001-0011-02	FOOTPEG MOUNTING BAR	1
11	554000-0002	SIDESTAND	1
12	407002-0001	SIDESTAND SPRING	1
13	903020-0001	BOLT-M10*30*1.5 S17	1
13	903020-0001-03	BOLT-M10*30*1.5 S17	1
14	903002-0011	WASHER-Φ13*20*1.5	1
14	903002-0011-02	WASHER-Φ13*20*1.5	1
15	903006-0005	FLANGE NUT-M10*1.5	1
15	903006-0005-03	FLANGE NUT-M10*1.5	1
18	C90002-0019-02	LEFT AND RIGHT FOOTPEG ASSEMBLY	1
19	C90002-0020-02	STRAIGHT SIDE STAND ASSEMBLY	1

Carburetor



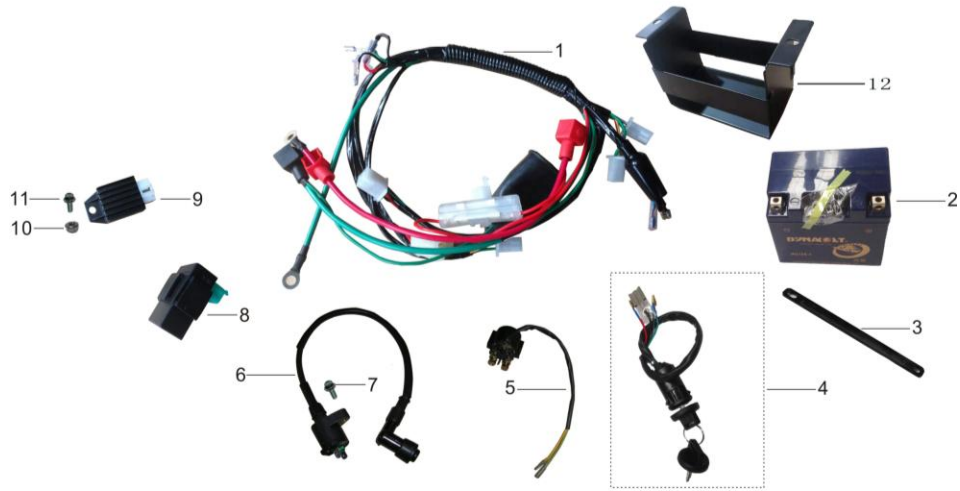
No.	Code	Name	Qty.
1	102000-0003	CARBURETOR	1
2	105000-0027	SPONGE AIR FILTER	1

Muffler Assy



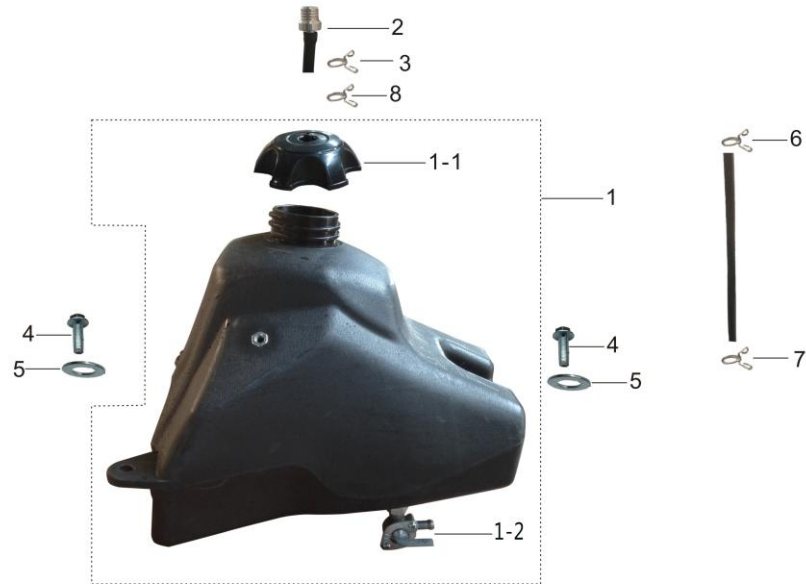
No.	Code	Name	Qty.
1	106001-0096	EXHAUST PIPE	1
1-1	106003-0002	MUFFLER SEAL	1
2	106002-0038	MUFFLER	1
3	903007-0003	FLANGE LOCKNUT-M6	2
4	903007-0005	FLANGE LOCKNUT-M8	1
5	903019-0019	FLANGE BOLT-M8*35	1
6	908007-0052	INSULATED SPACER	1

Electric Component Assy.



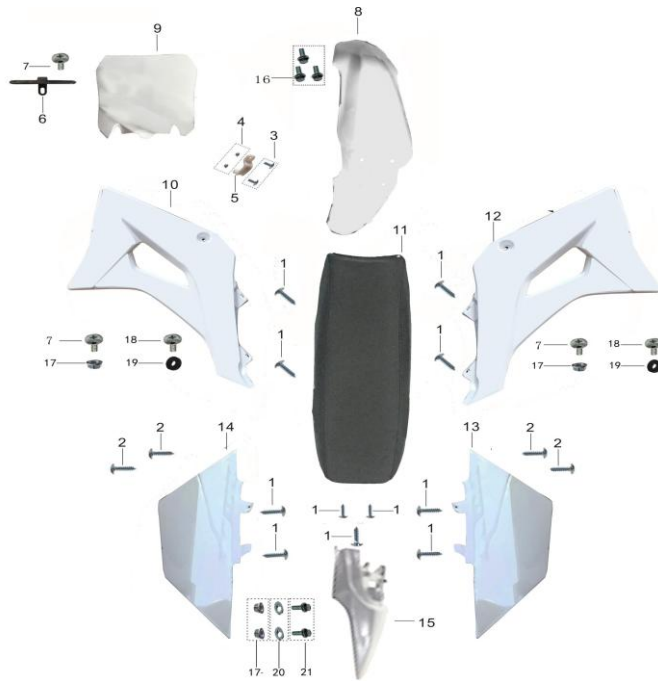
No.	Code	Name	Qty.
1	309001-0135	MAIN CABLE 002	1
1	309001-0135-02	MAIN CABLE	1
2	312001-0044	BATTERY	1
3	555000-0179	BATTERY BOX PLATE	1
4	314001-0003-03	ELECTRIC LOCK	1
4	314001-0003-04	ELECTRIC LOCK	1
5	301001-0001	RELAY	1
6	306001-0001	IGNITION COIL	1
7	903018-0005	FLANGE BOLT-M6*20	1
7	903018-0005-03	FLANGE BOLT-M6*20	1
7	A00103-0604-24	FLANGE BOLT-M6*20	1
8	303001-0001	CDI	1
9	302001-0002	VOLTAGE REGULATOR	1
10	903006-0002	FLANGE NUT-M6	1
10	903006-0002-03	FLANGE NUT-M6	1
11	903019-0004	FLANGE BOLT-M6*16	1
12	555000-0180	BATTERY BOX	1

Fuel Tank Assy



No.	Code	Name	Qty.
1	805001-0001	FUEL TANK ASSY	1
1-1	805003-0003	FUEL TANK CAP	1
1-2	805004-0005	FUEL TANK TAP	1
2	805005-0001-06	FUEL CAP BREATHER	1
3	906002-0003	PIPE CLIP- Φ 8.2	1
4	903019-0014	FLANGE BOLT-M8*25	2
4	903019-0014-03	FLANGE BOLT-M8*25	2
5	903002-0005	WASHER- Φ 8*28*1.5	2
5	903002-0005-03	WASHER- Φ 8*28*1.5	2
6	906002-0002	PIPE CLIP- Φ 8	1
7	906002-0001	PIPE CLIP- Φ 7.5	1
8	906002-0004	PIPE CLIP- Φ 8.5	1

Plastic Assy



No.	Code	Name	Qty.
1	903010-0005	SCREW-ST4.2*16	11
1	903010-0005-03	SCREW-ST4.2*16	11
2	903010-0004	SCREW-ST4.2*12	4
2	903010-0004-03	SCREW-ST4.2*12	4
3	903009-0003	SCREW-M4*12	2
3	903009-0003-03	SCREW-M4*12	2
4	903008-0024	NUT-M4	2
4	903008-0024-02	NUT-M4	2
5	801003-0011	CABLE CLIP	1
6	555000-0137	PLATE BRACKET	1
7	903012-0011	SCREW-TM6*10	3
7	903012-0011-03	SCREW-TM6*10	3
8	801016-0007	FRONT FENDER	1
8	801016-0007-03	FRONT FENDER	1
9	801016-0006	FRONT PLATE	1
9	801016-0006-03	FRONT PLATE	1
10	801016-0001	LEFT FRONT PANEL	1
10	801016-0001-03	LEFT FRONT PANEL	1
11	701000-0046	SEAT ASSY	1
11	701000-0046-06	SEAT ASSY	1
12	801016-0002	RIGHT FRONT PANEL	1

12	801016-0002-03	RIGHT FRONT PANEL	1
13	801016-0004	RIGHT REAR PANEL	1
13	801016-0004-03	RIGHT REAR PANEL	1
14	801016-0003	LEFT REAR PANEL	1
14	801016-0003-03	LEFT REAR PANEL	1
15	801016-0005	REAR PANEL	1
15	801016-0005-03	REAR PANEL	1
16	903019-0002	FLANGE BOLT-M6*12	3
17	903006-0002	NUT-M6	4
17	903006-0002-03	NUT-M6	4
18	903012-0007	SCREW-TM6*16	2
18	903012-0007-03	SCREW-TM6*16	2
19	908003-0002	RUBBER WASHER- Φ 5.5*15*2	2
20	903002-0002	FLAT WASHER- Φ 6*18*1.5	2
20	903002-0002-03	FLAT WASHER- Φ 6*18*1.5	2
21	903018-0005	FLANGE BOLT-M6*20	2
21	903018-0005-03	FLANGE BOLT-M6*20	2
	C90002-0053	PLASTIC PARTS ASSEMBLY	1

Sticker



No.	Code	Name	Qty.
1	802018-0115	STICKER	1
1	802018-0115-02	STICKER	1
2	802018-0116	HANDLEBAR PAD COVER	1