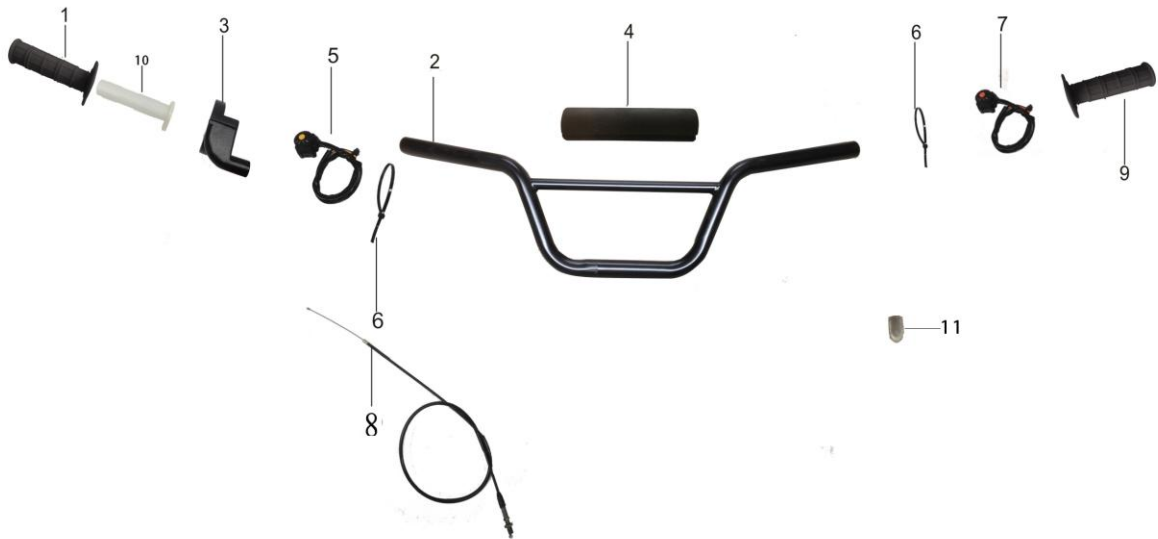


TS70 Parts Catalog

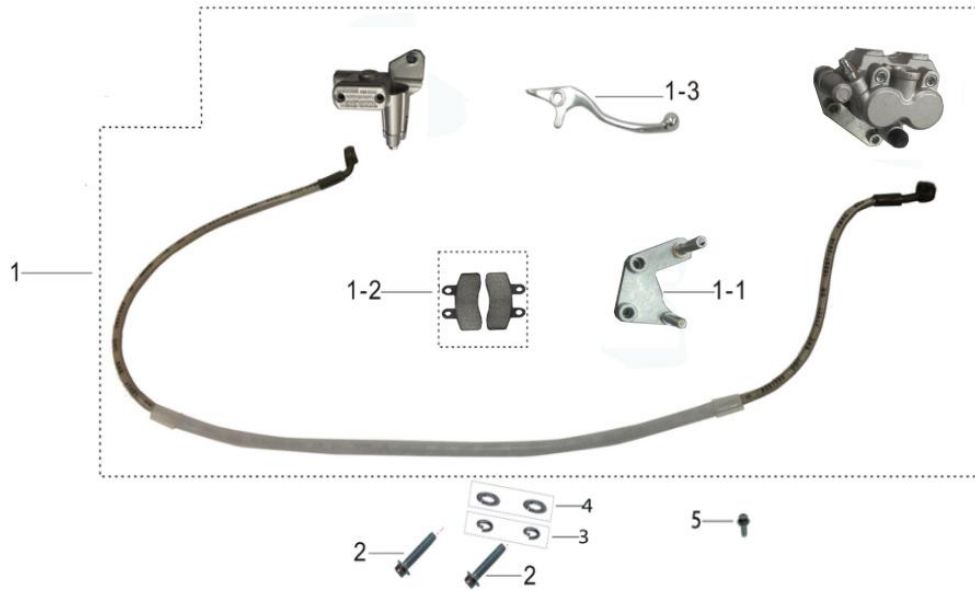


Handlebar Assy



No.	Code	Name	Qty.
1	602006-0005-02	RIGHT HANDLEBAR GRIP	1
2	602001-0004-01	STEEL HANDLEBAR	1
3	602011-0006	THROTTLE QUADRANT	1
4	602017-0002	HANDLEBAR PAD	1
5	313002-0007-02	START SWITCH	1
6	906003-0002	CABLE TIES	2
7	313003-0015-02	STOP SWITCH	1
8	602014-0024	THROTTLE CABLE	1
9	602006-0003-02	LEFT HANDLEBAR GRIP	1
10	602012-0003	THROTTLE TUBE	1
11	908004-0018	SILICONE PROTECTIVE CASE	1

Front Brake Assy



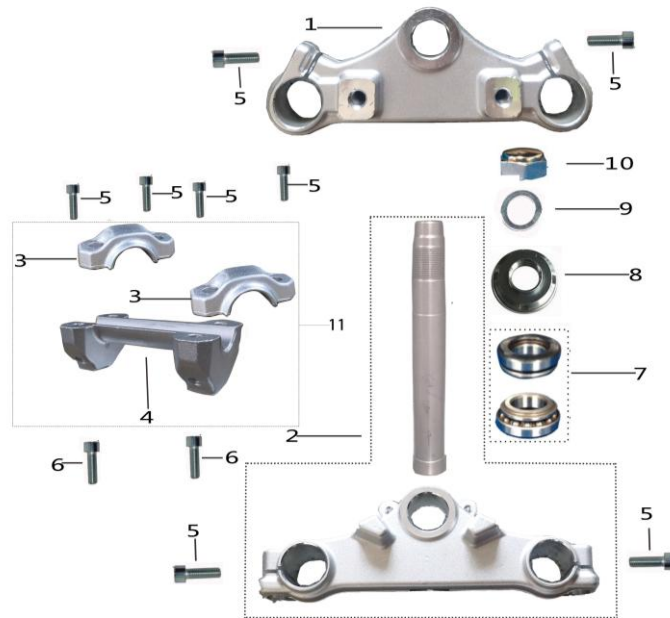
No.	Code	Name	Qty.
1	404000-0193	FRONT BRAKE ASSY	1
1-1	404008-0020	FRONT BRAKE BRACKET	1
1-2	404007-0008	FRONT BRAKE PAD	1
1-3	404002-0030	FRONT BRAKE LEVER	1
2	903018-0012	FLANGE BOLT-M8*40	2
2	903018-0012-03	FLANGE BOLT-M8*40	2
3	903001-0004	SPRING WASHER-Φ8*13*2	2
3	903001-0003-02	SPRING WASHER-Φ8*13*2	2
4	903002-0004	WASHER-Φ8*16*1.5	2
4	903002-0004-03	WASHER-Φ8*16*1.5	2
5	903018-0003	FLANGE BOLT- M6*12	1
5	903018-0003-03	FLANGE BOLT- M6*12	1

Front Shock Assy



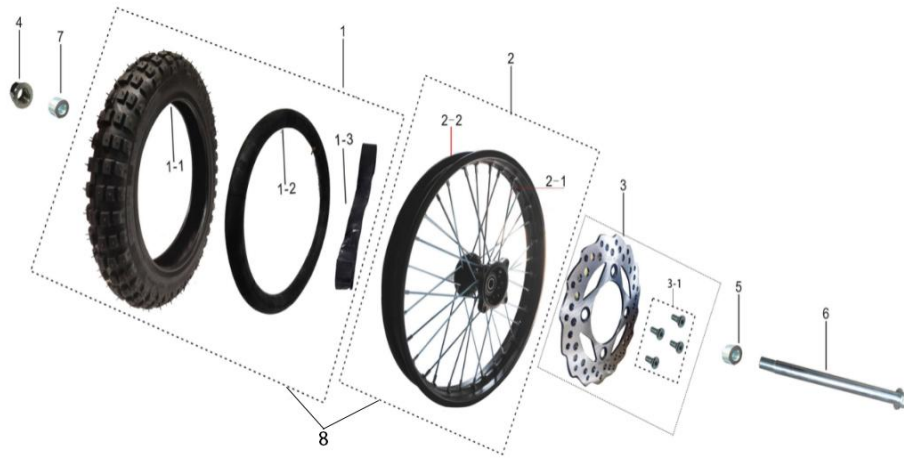
No.	Code	Name	Qty.
1	501000-0113	FRONT SHOCK, RH	1
2	501000-0112	FRONT SHOCK, LH	1

Clamps Assy



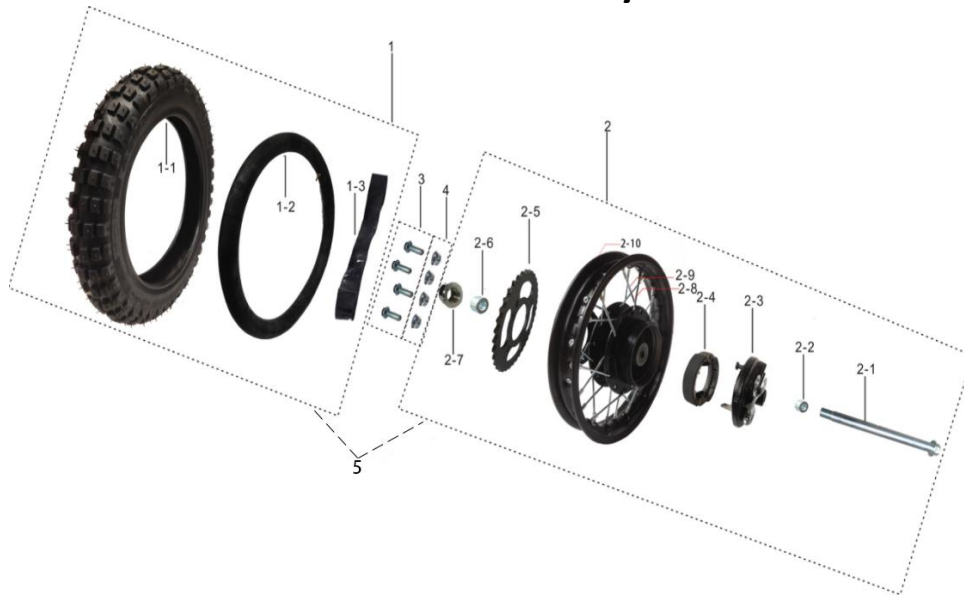
No.	Code	Name	Qty.
1	601001-0025	UPPER CLAMP	1
2	601002-0027	LOWER CLAMP	1
3	601003-0017	UPPER RAISER	2
4	601004-0022	LOWER RAISER	1
5	903013-0020	SCREW- M8*25	8
5	903013-0020-05	SCREW- M8*25	8
6	903013-0036	SCREW-M10*30*1.5	2
6	903013-0036-02	SCREW-M10*30*1.5	2
7	907001-0028	BEARING	1
8	601005-0009	DUST SEAL	1
9	601005-0012	WASHER-Φ23*36*1.5	1
10	601005-0001	TOP NUT	1
11	C90002-0032	UPPER AND LOWER CLAMPING BLOCK ASSEMBLY	1

Front Wheel Assy



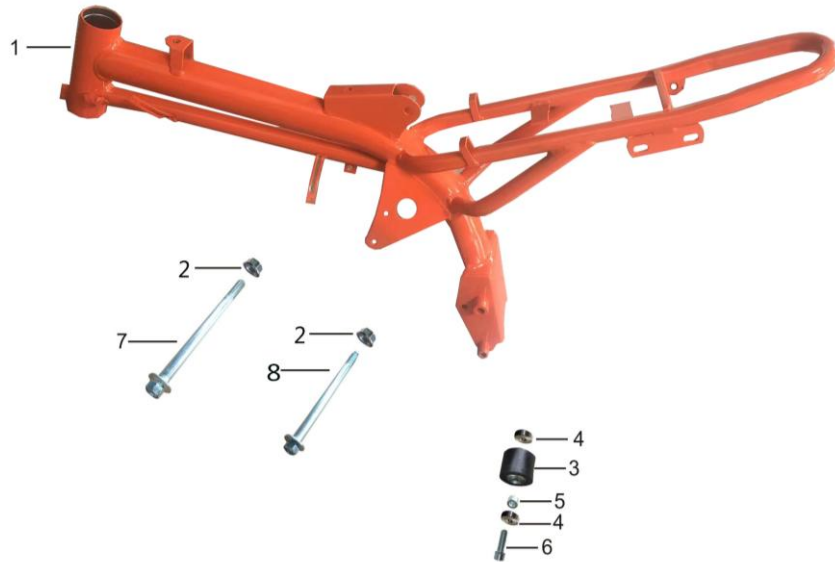
No.	Code	Name	Qty.
1	401005-0001	FRONT TYRE & INNER TUBE ASSY	1
1-1	401006-0001	FRONT TYRE-10'	1
1-2	401007-0002	FRONT INNER TUBE-2.50-10	1
1-3	401008-0001	INNER TUBE BAND	1
2	401000-0003	FRONT WHEEL-10'	1
2-1	401004-0019	SPOKE ASSY.-10'	32
2-2	401002-0001	FRONT RIM-10'	1
3	404001-0019	FRONT BRAKE DISC-WAVE	1
3-1	404011-0001	FLANGE BOLT-M8*16*1.25	4
4	903007-0008	FLANGE LOCKNUT-M12*1.25	1
4	903007-0008-02	FLANGE LOCKNUT-M12*1.25	1
5	902001-0047	FLAT BUSHING-Φ12*20*H26	1
6	901001-0015	FLANGE AXLE-Φ12*190*1.25MM	1
7	902001-0044	FLAT BUSHING- Φ12*20*H16	1
8	C90002-0084	FRONT WHEEL ASSY	1

Rear Wheel Assy



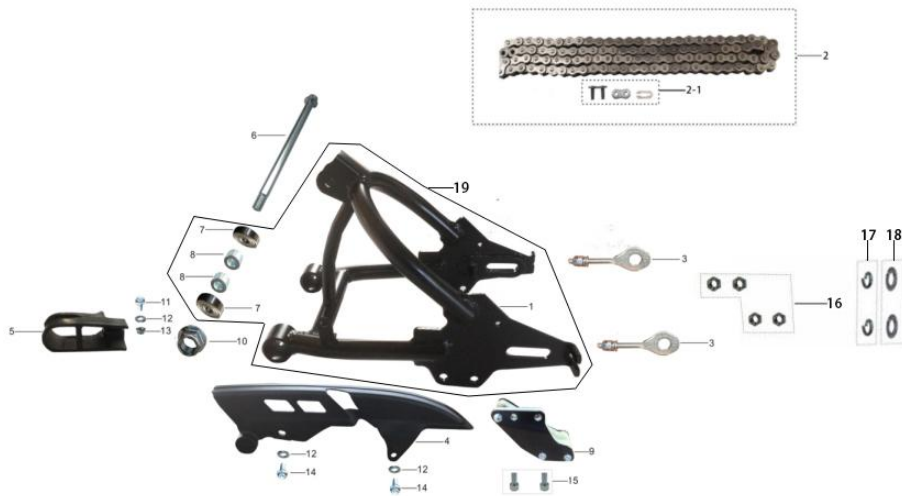
No.	Code	Name	Qty.
1	401005-0001	REAR TYRE & INNER TUBE ASSY	1
1-1	401006-0001	REAR TYRE-10'	1
1-2	401007-0002	REAR INNER TUBE	1
1-3	401008-0001	INNER TUBE BAND	1
2	402000-0008-02	REAR WHEEL-10'	1
2-1	901001-0020	FLANGE AXLE- $\Phi 12*215*M12*1.25MM$	1
2-2	902001-0043	FLAT BUSHING- $\Phi 12*20*H6$	1
2-3	403004-0002-02	REAR BRAKE HUB COVER	1
2-4	404007-0001	REAR BRAKE PAD	1
2-5	205001-0003	STEEL REAR SPROCKET	1
2-6	902001-0046	FLAT BUSHING- $\Phi 12*20*H19$	1
2-7	903007-0008	FLANGE LOCKNUT-M12*1.25	1
2-8	401004-0004	OUTER REAR SPOKE 10'.	14
2-9	401004-0003	INNER REAR SPOKE 10'.	14
2-10	401002-0001	REAR RIM-10'	1
3	903019-0016	FLANGE BOLT-M8*30	4
3	903019-0016-03	FLANGE BOLT-M8*30	4
4	903007-0005	FLANGE NUT-M8	4
5	C90002-0085	REAR WHEEL ASSY	1

Frame Assy



No.	Code	Name	Qty.
1	551000-0146	FRAME ASSY	1
2	903007-0005	FLANGE LOCKNUT-M8	2
3	203004-0014	CHAIN ROLLER	1
4	907001-0001	BEARING	2
5	902001-0003	WASHER-Φ8*12*H13	1
6	903013-0024	SCREW-M8*40 J350016	1
7	903018-0023	FLANGE BOLT- M8*110 J390019	1
8	903018-0024	FLANGE BOLT-M8*110	1
9	903018-0024-02	FLANGE BOLT-M8*110	1

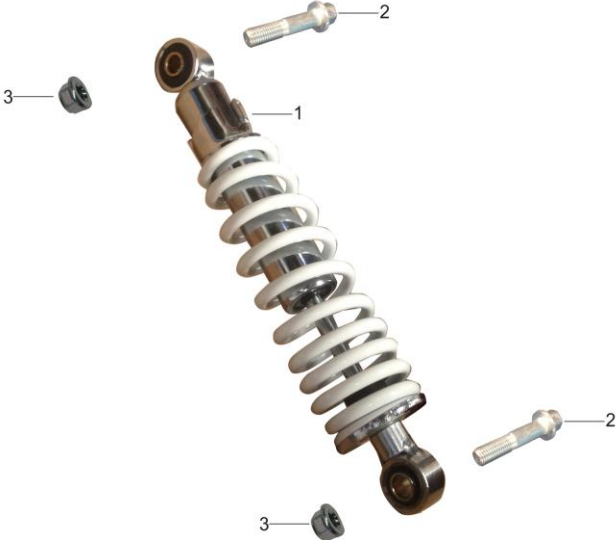
Swingarm Kit



No.	Code	Name	Qty.
1	553000-0020-01	STEEL SWINGARM	1
2	203000-0053	CHAIN	1
2-1	203001-0002	CHAIN JOINT	1
3	203003-0003	CHAIN ADJUSTOR	2
4	203004-0021	CHAIN GUARD	1
5	203004-0019	CHAIN SLIDER	1
6	901001-0007	FLANGE AXLE- Φ 10*185*M10*1.25MM	1
7	907001-0002	BEARING	2
8	902001-0037	FLAT BUSHING- Φ 10.2*22.5*H20	2
9	203004-0009-02	CHAIN GUIDE	1
10	903007-0006	FLANGE NUT-M10*1.25	1
10	903007-0006-02	FLANGE NUT-M10*1.25	1
11	903019-0004	FLANGE BOLT- M6*16	1
12	903002-0002	FLAT WASHER- Φ 6*18*1.5	3

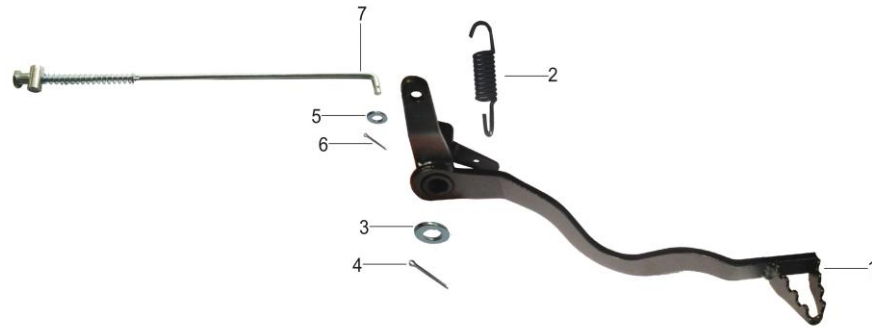
12	903002-0002-03	FLAT WASHER-Φ6*18*1.5	3
13	903006-0002	FLANGE NUT-M6	1
13	903006-0002-03	FLANGE NUT-M6	1
14	903018-0003	FLANGE BOLT- M6*12	2
14	903018-0003-03	FLANGE BOLT- M6*12	2
15	903020-0015	SCREW-M8*20	2
15	903020-0015-02	SCREW-M8*20	2
16	903005-0004	NUT-M6	4
16	903005-0004-03	NUT-M6	4
17	903001-0002	SPRING WASHER-Φ6	2
17	903001-0002-03	SPRING WASHER-Φ6	2
18	903002-0001	FLAT WASHER-Φ6*12*1.5	2
18	903002-0001-03	FLAT WASHER-Φ6*12*1.5	2
19	C90002-0142	STRAIGHT SWINGARM ASSEMBLY	1

Rear Shock Assy



No.	Code	Name	Qty.
1	502000-0006-02	REAR SHOCK	1
2	901001-0001	FLANGE AXLE- Φ10*45*M10*1.25MM	2
3	903007-0006	FLANGE LOCKNUT-M10*1.25	2
3	903007-0006-02	FLANGE LOCKNUT-M10*1.25	2

Foot Brake Lever Assy



No.	Code	Name	Qty.
1	406001-0046	FOOT BRAKE LEVER	1
2	407003-0002	BRAKE SPRING	1
3	903002-0013	FLAT WASHER-Φ15*28*2.5	1
3	903002-0013-03	FLAT WASHER-Φ15*28*2.5	1
4	904002-0003	COTTER PIN-2.5*30	1
4	904002-0003-03	COTTER PIN-2.5*30	1
5	903002-0002	FLAT WASHER-Φ6*18*1.5	1
5	903002-0002-03	FLAT WASHER-Φ6*18*1.5	1
6	904002-0001	COTTER PIN-2*20	1
6	904002-0001-03	COTTER PIN-2*20	1
7	403005-0002	FOOT BRAKE ROD	1
7	403005-0002-02	FOOT BRAKE ROD	1

Engine Assy



No.	Code	Name	Qty.
1	101000-0649	ENGINE ASSY	1
1	101000-0669	ENGINE ASSY	1

Cylinder Head & Cylinder Block



No.	Code	Name	Qty.
1	101043-0117	GASKET,CYLINDER BLOCK	1
2	101043-0131	PIN, $\Phi 8 \times 12$	2
3	101043-0001	CYLINDER BLOCK	1
4	101043-0129	WASHER, B $\Phi 16 \times 11.5 \times 2.5$	1
5	101043-0146	BOLT, M6 $\times 28$	2
6	101043-0180	GASKET,CYLINDER HEAD	1
7	101043-0132	PIN, $\Phi 8 \times 14$	2
8	101043-0116	SLEEVE	1
9	101043-0130	WASHER, C $\Phi 10.8 \times 8 \times 1.5$	1
10	101043-0168	IRON WASHER, $\Phi 11.3 \times \Phi 14.9 \times 1.5$	1
11	101043-0128	WASHER, A $\Phi 18.2 \times 14 \times 2.5$	1
12	101043-0003	LEFT CYLINDER HEAD COVER	1
13	101043-0004	GASKET, LEFT CYLINDER HEAD COVER	1
14	101043-0119	DOUBLE-SCREW BOLT, M6 $\times 35$	2
15	101043-0005	WASHER, VALVE COVER	2
16	101043-0006	VALVE COVER	2
17	101043-0007	WASHER, CYLINDER HEAD COVER	1
18	101043-0008	CYLINDER HEAD COVER	1
19	101043-0121	IRON WASHER, $\Phi 6 \times 13 \times 2$	3
20	101043-0120	COPPER WASHER, $\Phi 6 \times 13 \times 2$	1

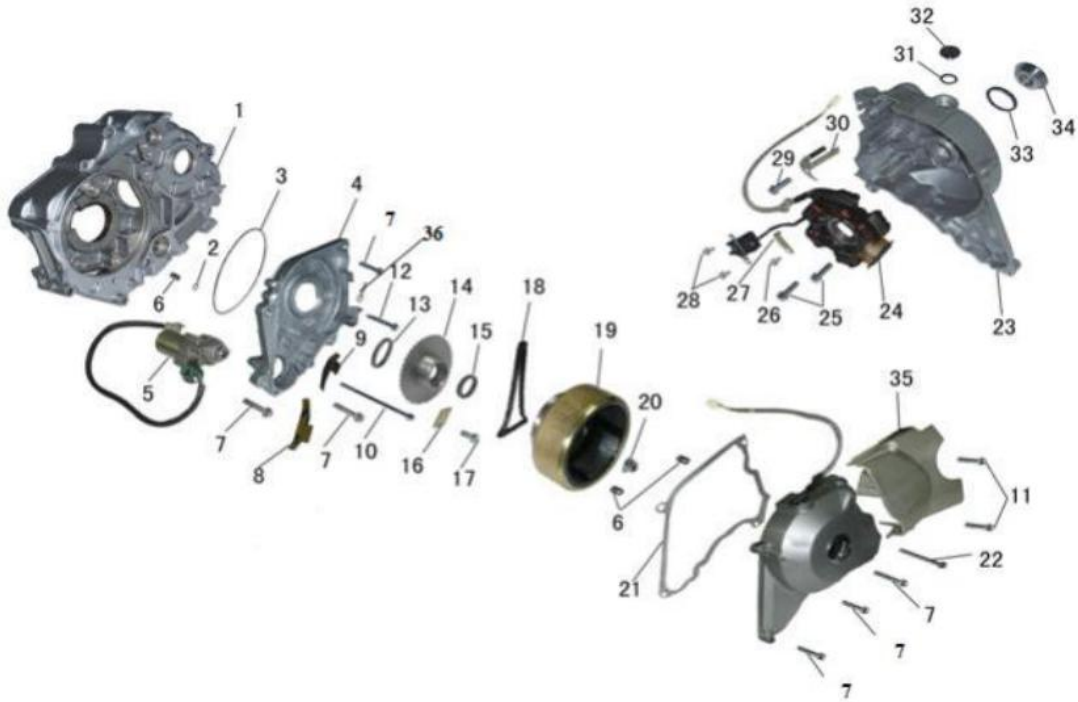
21	101043-0118	BOLT M6, CYLINDER HEAD	4
22	101043-0009	SPARK	1
23	101043-0145	BOLT, M6×20	2
24	101043-0153	BOLT, M6×110	1
25	101043-0164	ALLOY WASHER, Φ6×13×1.5	1
26	101043-0010	RIGHT CYLINDER HEAD COVER	1
27	101043-0011	GASKET, RIGHT CYLINDER HEAD COVER	1
28	101043-0012	CYLINDER HEAD	1
29	101043-0013	WASHER, INTAKE PIPE	1
30	101043-0014	INTAKE PIPE	1
31	101043-0155	BOLT, M6×25	4
32	101043-0016	WASHER, 25×2.4	1
33	101043-0015	GASKET	1

Valve Mechanism



No.	Code	Name	Qty.
1	101043-0017	Camshaft	1
2	101043-0018	Rocker Arm	2
3	101043-0019	Shaft, Rocker Arm	2
4	101043-0020	Valve Cotter	4
5	101043-0021	Retainer, Valve Spring	2
6	101043-0022	Valve Inner Spring	2
7	101043-0023	Valve Outer Spring	2
8	101043-0171	Washer, Valve Outer Spring	2
9	101043-0025	Valve Stem Seal Assembly	2
10	101043-0026	Inlet Valve	1
11	101043-0027	Exhaust Valve	1
12	101043-0028	Bolt, M5x12	3
13	101043-0029	Timing Chain (82)	1
14	101043-0030	Timing Driven Sprocket (28)	1
15	101043-0031	Pin Shaft, Guide Roller	1
16	101043-0124	Alloy Washer, Φ12x20x2	1
17	101043-0032	Guide Roller	1
18	101043-0033	Sprocket, Oil Pump	1
19	101043-0034	Sprocket Shaft, Oil Pump	1
20	101043-0035	Tensioning Roller	1
21	101043-0036	Tensioning Arm	1
22	101043-0037	Pin Shaft, Tensioning Arm	1
23	101043-0038	Tensioning Bar Assembly	1
24	101043-0039	Tensioning Bar Spring	1
25	101043-0166	Alloy Washer, Φ14x20x1.5	1
26	101043-0040	Screw Plug	1

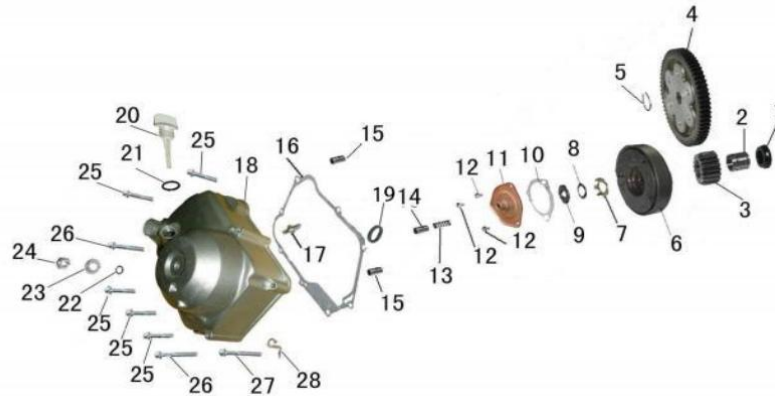
Magnetic Motor & Starting Motor & Left Crankcase Cover



No.	Code	Name	Qty.
1	101043-0084	LEFT CRANKCASE COVER ASSEMBLY	1
2	101043-0162	WASHER, 7.5×1.8	1
3	101043-0047	WASHER, 106.8×2	1
4	101043-0174	OIL SEPARATE PLATE	1
5	101043-0041	STARING MOTOR	1
6	101043-0131	PIN, $\Phi 8 \times 12$	3
7	101043-0147	BOLT, M6×32	6
8	101043-0176	STARTER CHAIN TENSINOR	1
9	101043-0177	STARTER CHAIN GUIDE	1
10	101043-0158	BOLT, M6×105	1
11	101043-0146	BOLT, M6×28	2
12	101043-0157	BOLT, M6×37	1
13	101043-0048	OIL SEAL, TC30 42 4.5	1
14	101043-0175	STARTER SPROCKET	1
15	101043-0052	OIL SEAL, TC18.9 30 5	1
16	101043-0050	SPROCKET PLATE	1
17	101043-0138	BOLT, M6×12	1
18	101043-0051	STARTING CHAIN (62)	1
19	101043-0053	ROTOR,MAGNETO	1
20	101043-0054	NUT,MAGNETO	1

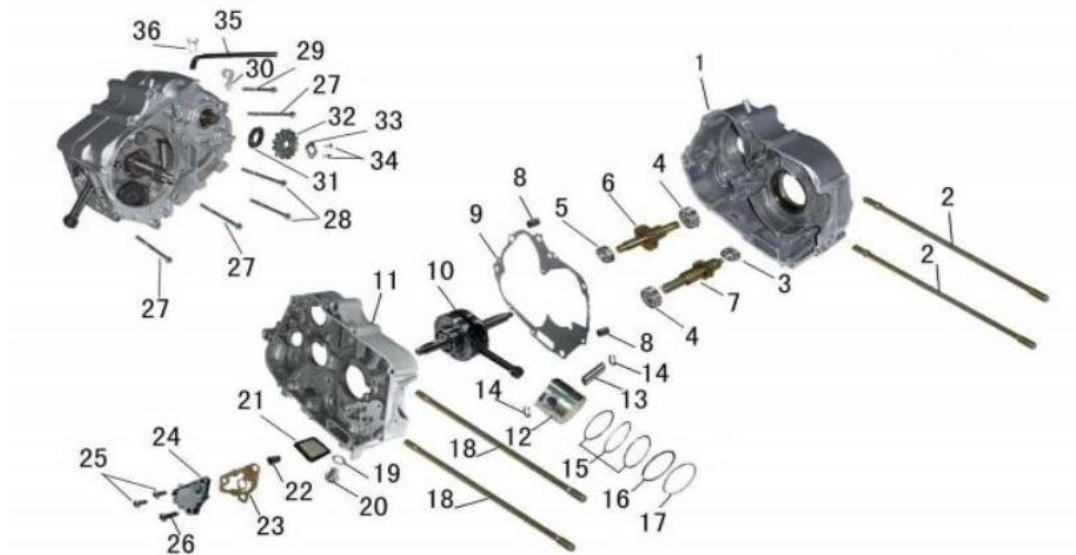
21	101043-0181	GASKET, LEFT CRANKCASE COVER	1
22	101043-0148	BOLT, M6×40	1
23	101043-0188	LEFT FRONT COVER	1
24	101043-0055	STATOR,MAGNETO	1
25	101043-0145	BOLT, M6×20	2
26	101043-0137	BOLT, M5×6	1
27	101043-0056	TRIGGER COIL CLIP	1
28	101043-0028	BOLT, M5×12	2
29	101043-0144	BOLT, M6×12	1
30	101043-0178	MAGNETO COIL CLIP	1
31	101043-0163	WASHER, 13.2×2.65	1
32	101043-0060	SMALL CAP	1
33	101043-0063	WASHER, 27.4×2.4	1
34	101043-0064	BIG CAP	1
35	101043-0173	REAR LEFT COVER	1
36	101043-0164	ALLOY WASHER, Φ6×13×1.5	1

Clutch & Right Crankcase Cover



No.	Code	Name	Qty.
1	101043-0065	SLEEVE	1
2	101043-0170	SLEEVE, DRIVING GEAR	1
3	101043-0067	DRIVING GEAR	1
4	101043-0068	DRIVEN GEAR	1
5	101043-0183	RETAINING RING	1
6	101043-0070	CLUTCH BODY	1
7	101043-0071	WASHER	1
8	101043-0072	BUTTERFLY WASHER	1
9	101043-0073	ROUND NUT, M14×1	1
10	101043-0074	GASKET, CLUTCH END COVER	1
11	101043-0075	END COVER, CLUTCH	1
12	101043-0169	SCREW, M5×8	3
13	101043-0076	SPRING, VITTA	1
14	101043-0077	VITTA	1
15	101043-0131	PIN, Φ8×12	2
16	101043-0078	GASKET, RIGHT CRANKCASE	1
17	101043-0079	BOLT	1
18	101043-0080	RIGHT CRANKCASE COVER ASSEMBLY	1
19	101043-0184	SEAL, TC13.8 24 5	1
20	101043-0081	DIP STICK	1
21	101043-0082	WASHER, 18×3.5	1
22	101043-0083	WASHER, 7.5×1.8	1
23	101043-0167	IRON WASHER, 8×16×2.0	1
24	101043-0133	NUT, M8	1
25	101043-0148	BOLT, M6×40	5
26	101043-0151	BOLT, M6×65	2
27	101043-0152	BOLT, M6×100	1
28	101043-0113	HIGH VOLTAGE CLAMP	1

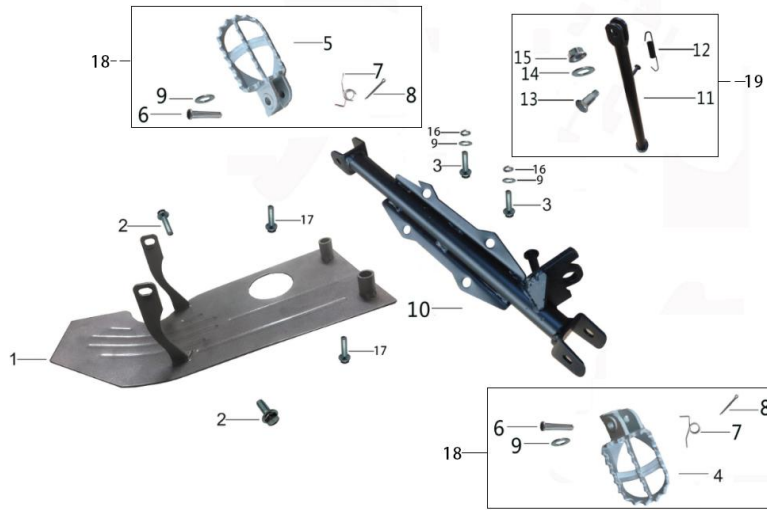
Crankcase & Gearshift Mechanism & Crankshaft & Piston



No.	Code	Name	Qty.
1	101043-0084	LEFT CRANKCASE COVER	1
2	101043-0186	CYLINDER BOLT B, M6×202	2
3	101043-0159	BEARING, 6001	1
4	101043-0161	BEARING, 6203	2
5	101043-0160	BEARING, 6201	1
6	101043-0089	COUNTERSHAFT ASSEMBLY	1
7	101043-0090	MAIN SHAFT COMPONENTS	1
8	101043-0126	PIN, Φ10×14	2
9	101043-0091	WASHER, CRANKCASE	1
10	101043-0092	ASSEMBLY, CRANK SHAFT CONNECTING ROD	1
11	101043-0093	RIGHT CRANKCASE COVER	1
12	101043-0094	PISTON	1
13	101043-0095	PIN, PISTON	1
14	101043-0096	CIRCLIP, PISTON PIN	2
15	101043-0097	ASSEMBLY, OIL RING	1
16	101043-0098	PISTON RING (2ND)	1
17	101043-0099	PISTON RING (1ST)	1
18	101043-0185	CYLINDER BOLT A, M6×194	2
19	101043-0165	ALLOY WASHER, 12.2×20×1.5	1
20	101043-0102	OIL DRAIN BOLT	1
21	101043-0103	GAUZE COMP.	1
22	101043-0172	SHAFT COLLAR, OIL PUMP	1

23	101043-0105	GASKET, OIL PUMP	1
24	101043-0106	OIL PUMP ASSEMBLY	1
25	101043-0141	SCREW, M6×16	2
26	101043-0142	SCREW, M6×22	1
27	101043-0150	BOLT, M6×60	3
28	101043-0151	BOLT, M6×65	2
29	101043-0149	BOLT, M6×50	1
30	101043-0179	CLIP, BREATHER PIPE	1
31	101043-0107	COUNTERSHAFT SEAL, TC 17 29 5	1
32	101043-0108	DRIVING SPROCKET	1
33	101043-0109	DRIVING SPROCKET FIXING PLATE	1
34	101043-0110	BOLT, M6×10	2
35	101043-0111	BREATHER PIPE	1
36	101043-0114	CLAMP, BREATHER PIPE	1

Footpeg Mounting Bar Assy



No.	Code	Name	Qty.
1	109001-0003-02	STEEL ENGINE BASH PLATE	1
2	903019-0004	FLANGE BOLT-M6*16	2
3	903019-0013	FLANGE SCREW-M8*20	4
3	903019-0013-03	FLANGE SCREW-M8*20	4
4	506003-0028	LEFT FOOTPEG ASSY	1
5	506003-0029	RIGHT FOOTPEG ASSY	1
6	904001-0001	HINGE PIN	2
7	407001-0014	FOOTPEG SPRING	2
8	904002-0002	COTTER PIN	2
8	904002-0002-03	COTTER PIN	2
9	903002-0004	WASHER-Φ8*16*1.5	4
9	903002-0004-03	WASHER-Φ8*16*1.5	4
10	506001-0011-02	FOOTPEG MOUNTING BAR	1
11	554000-0054	SIDESTAND	1
12	407002-0001	SIDESTAND SPRING	1
13	903020-0001	BOLT-M10*30*1.5 S17	1
13	903020-0001-03	BOLT-M10*30*1.5 S17	1
14	903002-0011	FLAT WASHER-Φ13*20*1.5	1
14	903002-0011-02	FLAT WASHER-Φ13*20*1.5	1
15	903006-0005	FLANGE NUT-M10*1.5	1
15	903006-0005-03	FLANGE NUT-M10*1.5	1
16	903001-0004	SPRING WASHER-Φ8*13*2	2
16	903001-0003-02	SPRING WASHER-Φ8*13*2	2
17	903018-0012	FLANGE BOLT-M8*40	2
17	903018-0012-03	FLANGE BOLT-M8*40	2
18	C90002-0019-02	LEFT AND RIGHT FOOTPEG ASSEMBLY	1
19	C90002-0042	STRAIGHT SIDE STAND ASSEMBLY	1

Carburetor & Air Filter Assy



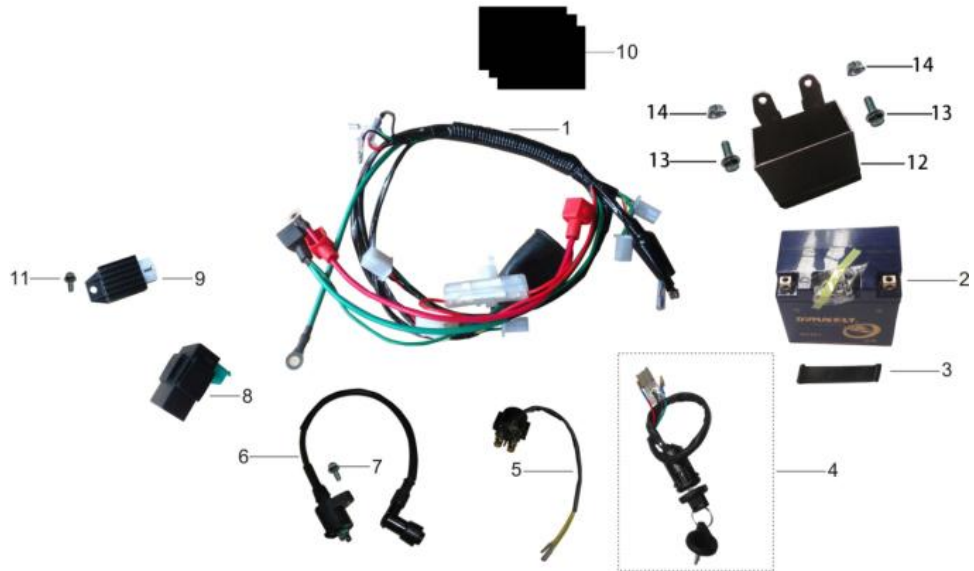
No.	Code	Name	Qty.
1	102000-0003	CARBURETOR	1
2	105000-0027	SPONGE AIR FILTER	1

Muffler Assy



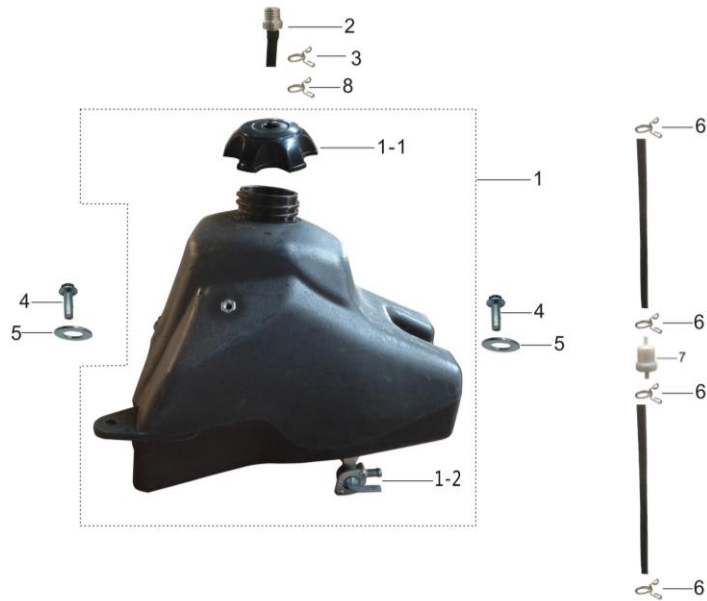
No.	Code	Name	Qty.
1	106000-0011	MUFFLER	1
1-1	106003-0002	MUFFLER SEAL	1
1-2	106006-0015	INSULATED SPACER	1
2	903019-0019	FLANGE BOLT-M8*35	1
3	903007-0003	FLANGE LOCKNUT-M6	2
4	903007-0005	FLANGE LOCKNUT-M8	1

Electric Component Assy



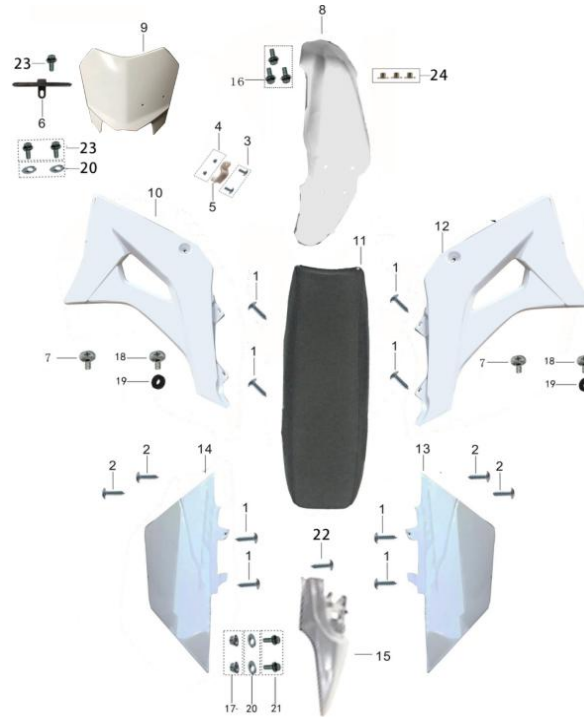
No.	Code	Name	Qty.
1	309001-0168	MAIN CABLE	1
2	312001-0044	BATTERY	1
3	908007-0021	BATTERY BELT	1
3	908007-0073	BATTERY BELT	1
4	314001-0003-03	ELECTRIC LOCK	1
4	314001-0003-04	ELECTRIC LOCK	1
5	301001-0001	RELAY	1
6	306001-0001	IGNITION COI	1
7	903018-0005	FLANGE BOLT-M6*20	1
7	903018-0005-03	FLANGE BOLT-M6*20	1
8	303001-0001	CDI	1
9	302001-0002	VOLTAGE REGULATOR	1
10	909010-0019	EVA SPONGE	3
11	903019-0004	FLANGE BOLT-M6*16	1
12	555000-0009	BATTERY BOX	1
13	903019-0013	FLANGE BOLT-M8*20	2
13	903019-0013-03	FLANGE BOLT-M8*20	2
14	903007-0005	FLANGE NUT-M8	2

Fuel Tank Assy



No.	Code	Name	Qty.
1	805001-0001	FUEL TANK ASSY	1
1-1	805003-0003	FUEL TANK CAP	1
1-2	805004-0005	FUEL TANK TAP	1
2	805005-0001-06	FUEL CAP BREATHER	1
3	906002-0003	PIPE CLIP-Φ8.2	1
4	903019-0014	FLANGE BOLT-M8*25	2
4	903019-0014-03	FLANGE BOLT-M8*25	2
5	903002-0005	FLAT WASHER-Φ8*28*1.5	2
5	903002-0005-03	FLAT WASHER-Φ8*28*1.5	2
6	906002-0002	PIPE CLIP-Φ8	4
7	108001-0002	FUEL FILTER	1
8	906002-0004	PIPE CLIP-Φ8.5	1

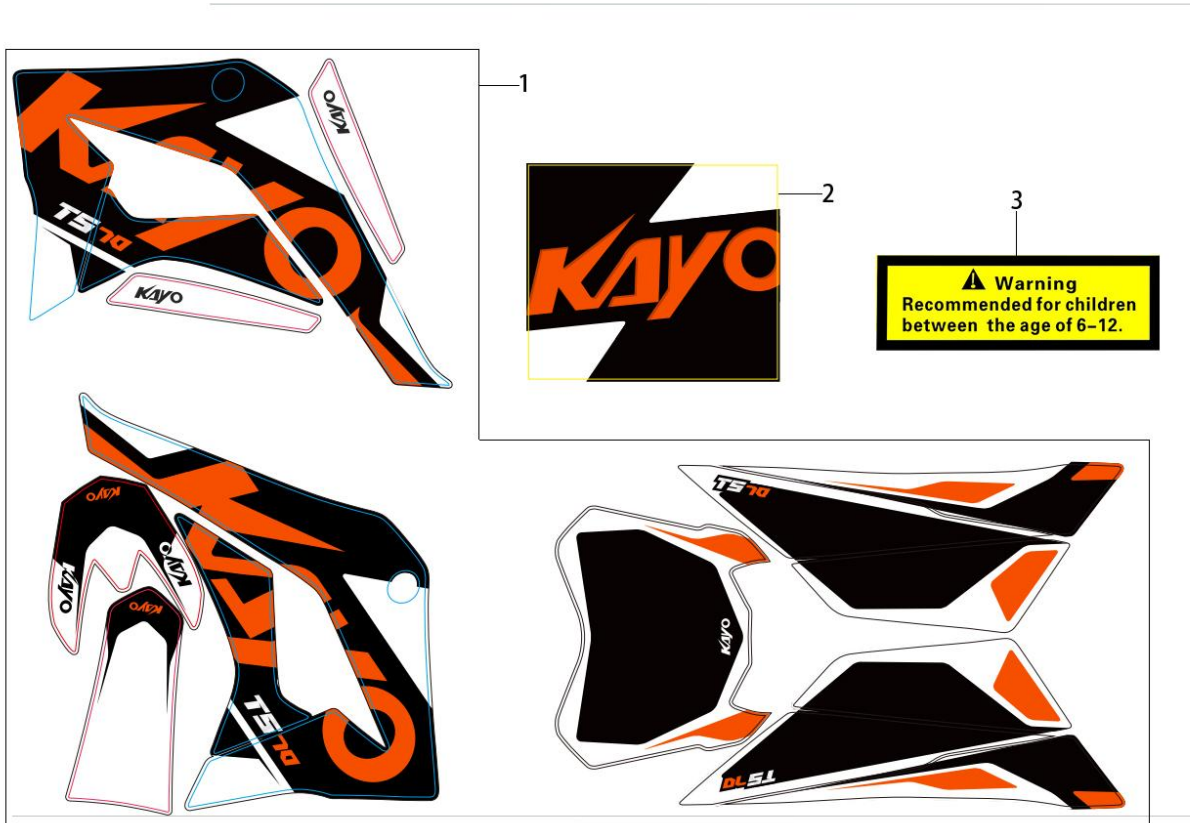
Plastic Assy



No.	Code	Name	Qty.
1	903010-0005	SCREW-ST4.2*16	8
1	903010-0005-03	SCREW-ST4.2*16	8
2	903010-0004	SCREW-ST4.2*12	4
2	903010-0004-03	SCREW-ST4.2*12	4
3	903009-0003	SCREW-M4*12	2
3	903009-0003-03	SCREW-M4*12	2
4	903008-0024	NUT-M4	2
4	903008-0024-02	NUT-M4	2
5	801003-0011	CABLE CLIP	1
6	555000-0137	FRONT PLATE BRACKET	1
7	903012-0011	SCREW-TM6*10	2
7	903012-0011-03	SCREW-TM6*10	2
8	801016-0007	FRONT FENDER	1
8	801016-0007-03	FRONT FENDER	1
9	801016-0006	FRONT PLATE	1
9	801016-0006-03	FRONT PLATE	1
10	801016-0001	LEFT FRONT PANEL	1
10	801016-0001-03	LEFT FRONT PANEL	1
11	701000-0046	SEAT ASSY	1
11	701000-0046-06	SEAT ASSY	1

12	801016-0002	RIGHT FRONT PANEL	1
12	801016-0002-03	RIGHT FRONT PANEL	1
13	801016-0004	RIGHT REAR PANEL	1
13	801016-0004-03	RIGHT REAR PANEL	1
14	801016-0003	LEFT REAR PANEL	1
14	801016-0003-03	LEFT REAR PANEL	1
15	801016-0005	REAR PANEL	1
15	801016-0005-03	REAR PANEL	1
16	903019-0004	FLANGE BOLT-M6*16	3
17	903006-0002	FLANGE NUT-M6	2
17	903006-0002-03	FLANGE NUT-M6	2
18	903012-0007	SCREW-TM6*16	2
18	903012-0007-03	SCREW-TM6*16	2
19	908003-0002	RUBBER WASHER- Φ 5.5*15*2/	2
20	903002-0002	FLAT WASHER- Φ 6*18*1.5	4
20	903002-0002-03	FLAT WASHER- Φ 6*18*1.5	4
21	903019-0005	FLANGE BOLT-M6*20	2
21	903019-0005-03	FLANGE BOLT-M6*20	2
22	903010-0007	SCREW-ST4.8*16	1
22	903010-0007-02	SCREW-ST4.8*16	1
23	903018-0003	FLANGE BOLT-M6*12	3
23	903018-0003-03	FLANGE BOLT-M6*12	3
24	902002-0042	SPACER- Φ 6.5*16*H6+ Φ 10+H4	3
	C90002-0053	PLASTIC PARTS ASSEMBLY	1

Sticker



No.	Code	Name	Qty.
1	802018-0181	STICKER	1
2	802018-0116	HANDLEBAR PAD COVER	1
3	802013-0012	WARNING LABEL	1