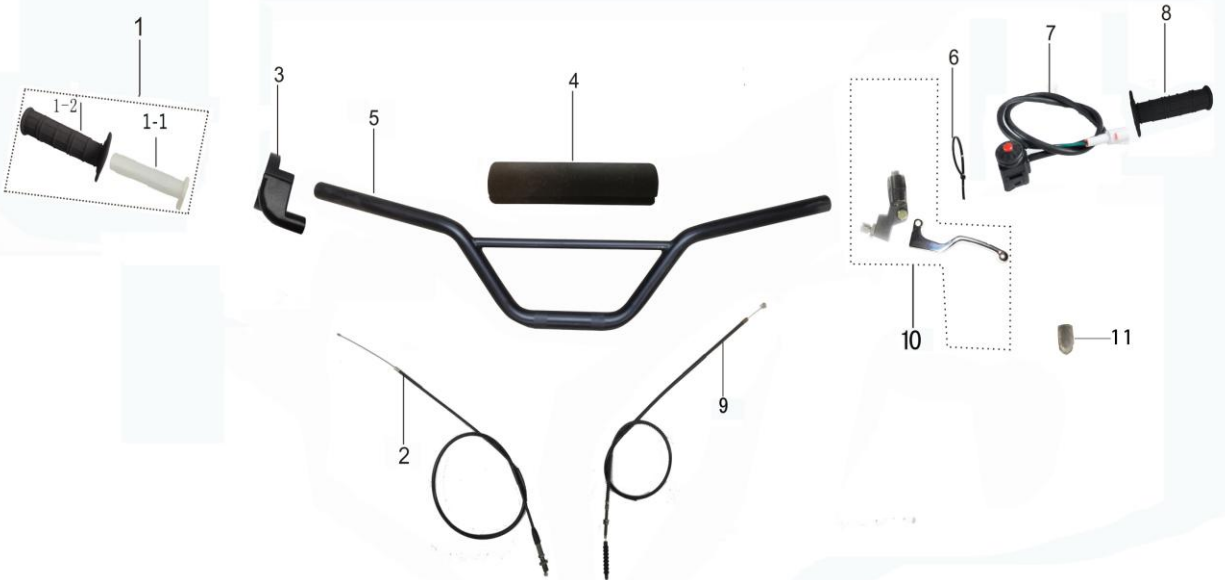


TD125 Parts Catalog

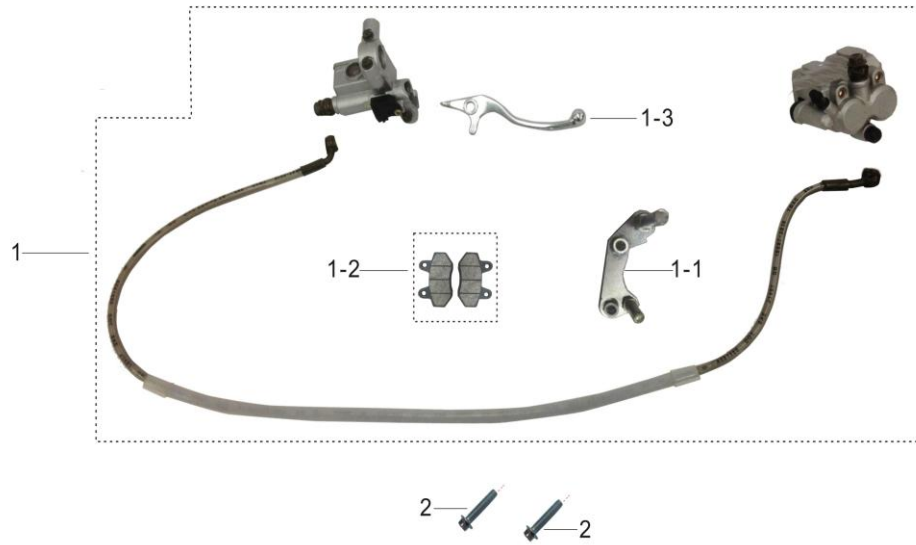


Handlebar Assy



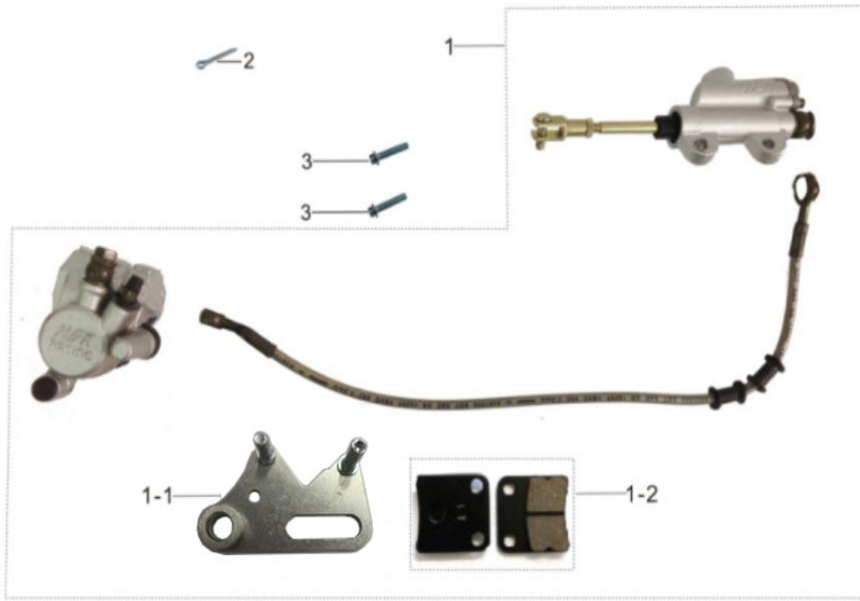
No.	Code	Name	Qty.
1	602006-0004-02	RIGHT HANDLEBAR GRIP (INCLUDING THROTTLE TUBE)	1
1-1	602012-0002	THROTTLE TUBE	1
1-2	602006-0003-02	RIGHT HANDLEBAR GRIP	1
2	602014-0010	THROTTLE CABLE	1
3	602011-0003	THROTTLE PERCH	1
4	602017-0002	HANDLEBAR PAD	1
5	602001-0002	STEEL HANDLEBAR	1
6	906003-0002	CABLE TIES	1
7	313003-0015	STOP SWITCH	1
7	313003-0015-02	STOP SWITCH	1
8	602006-0003-02	LEFT HANDLE GRIP	1
9	602013-0009	CLUTCH CABLE	1
9	602013-0026	CLUTCH CABLE	1
10	602007-0024-02	CLUTCH LEVER ASSY	1
11	908004-0018	SILICONE PROTECTIVE CASE	1

Front Brake Assy



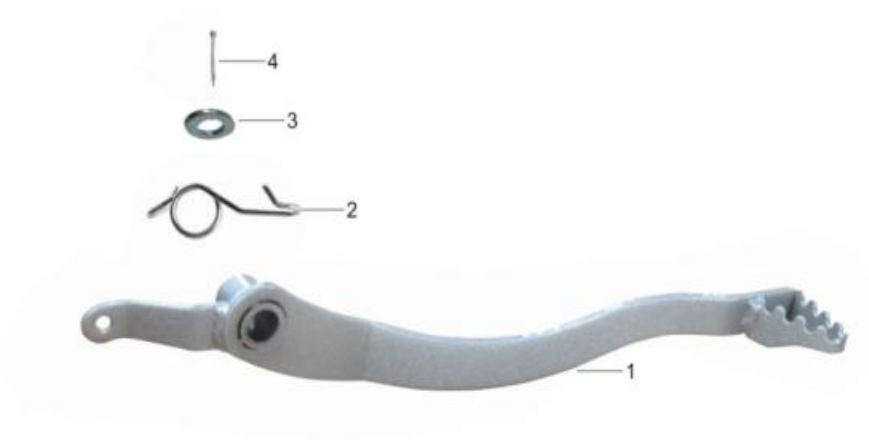
No.	Code	Name	Qty.
1	404000-0028	FRONT BRAKE ASSY	1
1-1	404008-0001	FRONT BRAKE BRACKET	1
1-2	404007-0004	FRONT BRAKE PAD	1
1-3	404002-0007	UNFOLD BRAKE LEVER	1
2	903019-0009	FLANGE BOLT-M6*32	2
2	903019-0009-03	FLANGE BOLT-M6*32	2

Rear Brake Assy



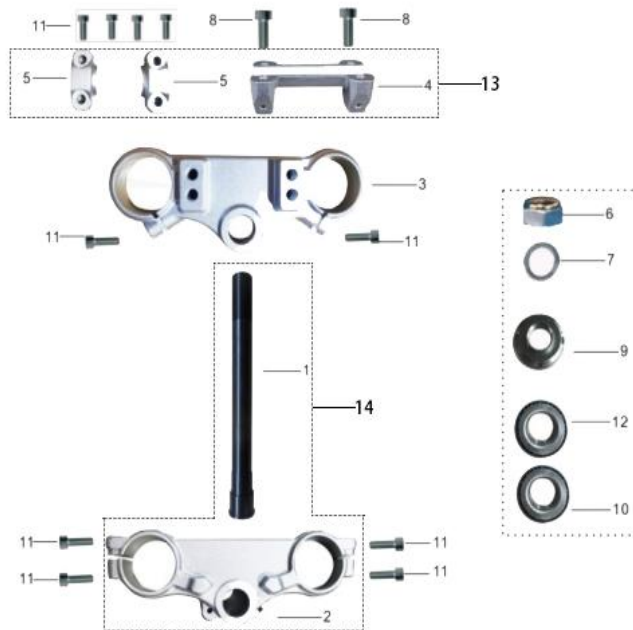
No.	Code	Name	Qty.
1	405000-0130	REAR BRAKE ASSY	1
1	405000-0130-02	REAR BRAKE ASSY	1
1-1	405009-0004	REAR BRAKE BRACKET	1
1-2	405008-0001	REAR BRAKE PAD	1
2	904002-0001	COTTER PIN	1
2	904002-0001-03	COTTER PIN	2
3	903019-0005-03	FLANGE BOLT- M6*20	2

Foot Brake Lever Assy



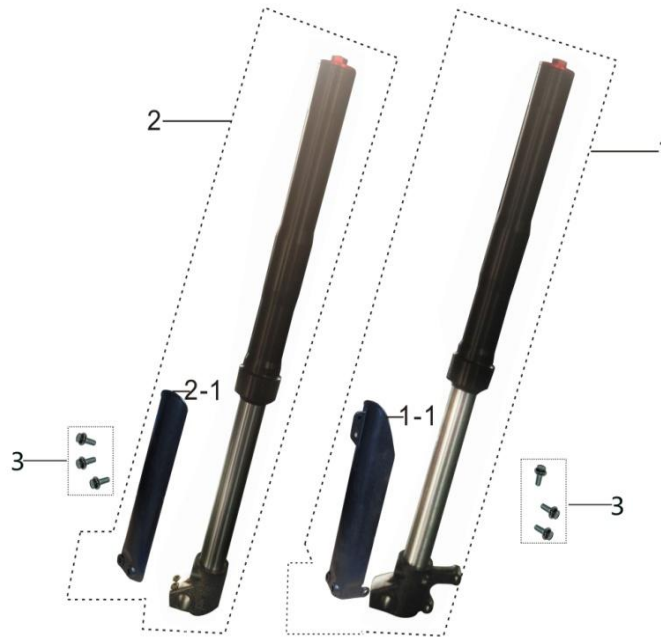
No.	Code	Name	Qty.
1	406001-0017-02	FOOT BRAKE LEVER	1
2	407003-0005	BRAKE SPRING- $\Phi 32 * \Phi 3.5 * H7 * 2$	1
3	903002-0012	WASHER- $\Phi 15 * 28 * 1.5$	1
3	903002-0012-03	WASHER- $\Phi 15 * 28 * 1.5$	1
4	904002-0003	COTTER PIN-2.5*30	1
4	904002-0003-03	COTTER PIN-2.5*30	1

Clamps Assy



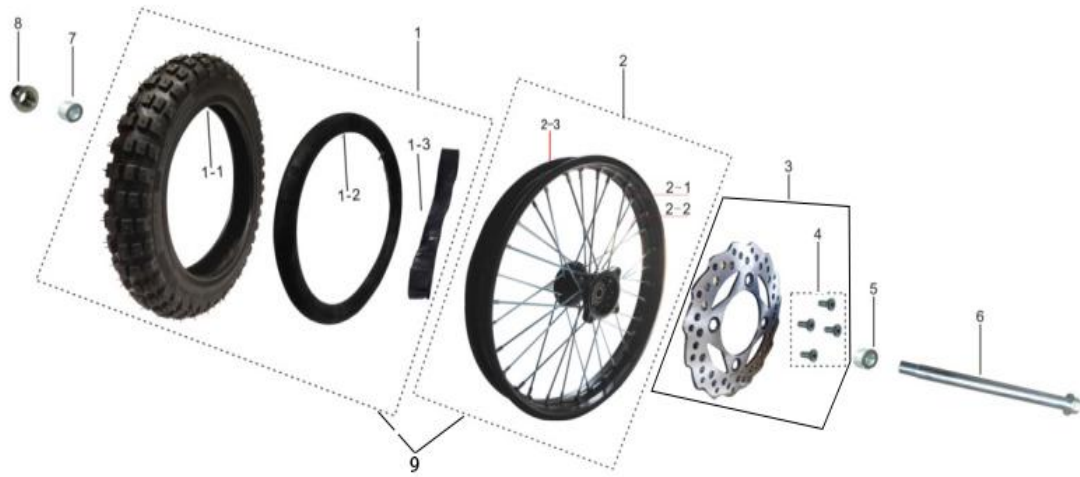
No.	Code	Name	Qty.
1	601006-0025	STEERING STEM	1
2	601002-0022	LOWER CLAMP	1
3	601001-0026	UPPER CLAMP	1
4	601004-0022	LOWER RAISER	1
5	601003-0017	UPPER RAISER	2
6	601005-0001	TOP NUT	1
7	601005-0012	WASHER- $\Phi 23 \times 36 \times 1.5$	1
8	903013-0036	SCREW-M10*30*1.5	2
8	903013-0036-02	SCREW-M10*30*1.5	2
9	601005-0008	DUST SEAL	1
10	907002-0007	BEARING-'320/23.5	1
11	903013-0020	SCREW-M8*25	10
11	903013-0020-05	SCREW-M8*25	10
12	907002-0006	BEARING-'320/22	1
13	C90002-0032	UPPER AND LOWER CLAMPING BLOCK ASSEMBLY	1
14	C90002-0011	LOWER TRIPLE CLAMP ASSEMBLY	1

Front Shock Assy



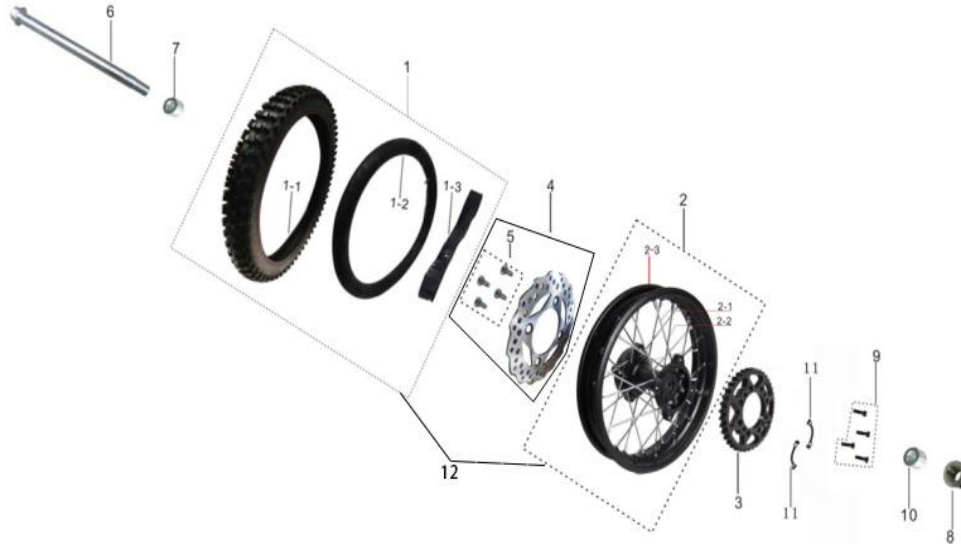
No.	Code	Name	Qty.
1	501000-0027	FRONT SHOCK, LH	1
1-1	501001-0003	FRONT SHOCK GUARD, LH	1
2	501000-0028	FRONT SHOCK, RH	1
2-1	501001-0004	FRONT SHOCK GUARD, RH	1
3	903018-0004	FLANGE BOLT M6*16	6
3	903018-0004-03	FLANGE BOLT M6*16	6

Front Wheel Assy



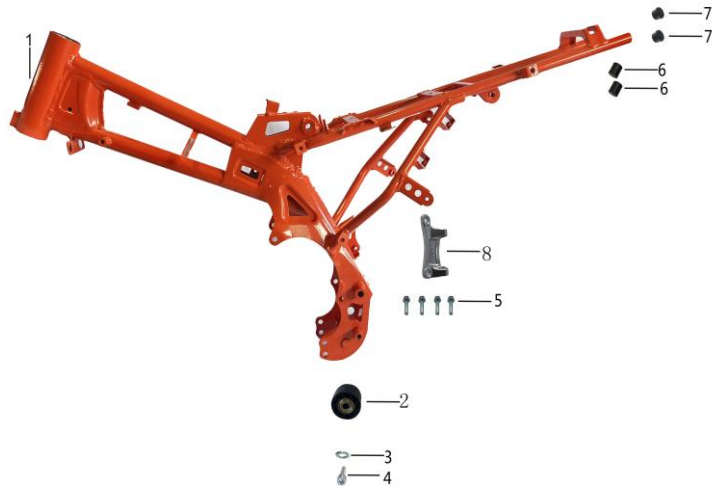
No.	Code	Name	Qty.
1	401005-0038	FRONT TYRE & INNER TUBE ASSY	1
1-1	401006-0048	FRONT TYRE	1
1-2	401007-0010	FRONT INNER TUBE	1
1-3	401008-0002	INNER TUBE BAND	1
2	401000-0011-03	FRONT RIM	1
2	401000-0011-06	FRONT RIM	1
2-1	401004-0005	INNER FRONT SPOKE 14'.	16
2-2	401004-0006	OUTER FRONT SPOKE 14'.	16
2-3	401002-0002	FRONT RIM	1
3	404001-0020	FRONT BRAKE DISC-WAVE	1
4	404011-0001	BOLT M8*16*1.25	4
5	902001-0067	FLAT BUSHING $\Phi 15*25*H26$	1
6	901001-0029	FLANGE AXLE $\Phi 15*215*M14*1.5MM$	1
7	902001-0062	FLAT BUSHING $\Phi 15*25*H19$	1
8	903007-0009	FLANGE LOCK NUT M14*1.5	1
8	903007-0009-02	FLANGE LOCK NUT M14*1.5	1
9	C90002-0090	FRONT WHEEL ASSY	1

Rear Wheel Assy



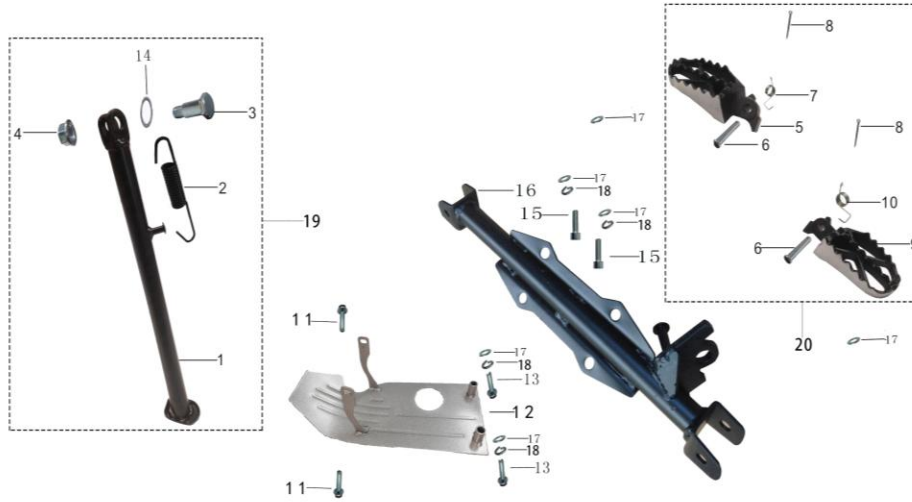
No.	Code	Name	Qty.
1	402005-0038	REAR TYRE & INNER TUBE ASSY	1
1-1	402006-0039	REAR TYRE	1
1-2	402007-0006	REAR INNER TUBE	1
1-3	401008-0001	INNER TUBE BAND	1
2	402000-0017-03	REAR WHEEL	1
2	402000-0017-06	REAR WHEEL	1
2-1	402004-0004	INNER REAR SPOKE 14'.	16
2-2	402004-0005	OUTER REAR SPOKE 14'.	16
2-3	402002-0001	REAR RIM	1
3	205001-0015	STEEL REAR SPROCKET	1
4	405001-0018	REAR BRAKE DISC- WAVE	1
5	404011-0001	BOLT-M8*16*1.25	4
6	901001-0033	FLANGE AXLE- Φ15*215*M14*1.5MM	1
7	902001-0071	FLAT WASHER-Φ15*25*H33	1
8	903007-0009	FLANGE LOCKNUT- M14*1.5	1
8	903007-0009-02	FLANGE LOCKNUT- M14*1.5	1
9	903017-0004	BOLT-M8*30+Φ8.2*5.5 S13	4
10	902001-0066	FLAT BUSHING-Φ15*25*H25	1
11	906004-0001	REAR SPROCKET LOCKING TAP	2
12	C90002-0091	REAR WHEEL ASSY	1

Frame Assy



No.	Code	Name	Qty.
1	551000-0124-01	FRAME ASSY	1
2	203004-0016	CHAIN ROLLER	1
3	903002-0004	WASHER- $\Phi 8*16*1.5$	1
3	903002-0004-03	WASHER- $\Phi 8*16*1.5$	1
4	903013-0025	SCREW-M8*45 S10.9	1
5	903019-0013	FLANGE BOLT-M8*20	4
5	903019-0013-03	FLANGE BOLT-M8*20	4
6	908007-0052	INSULATED SPACER	2
7	908004-0001	CHAIN SUPPORT PLUG- $\Phi 6*14*H16$	2
8	506002-0001	FOOTPEG BRACKET CONNECTOR	1

Sidestand & Footpegs Assy



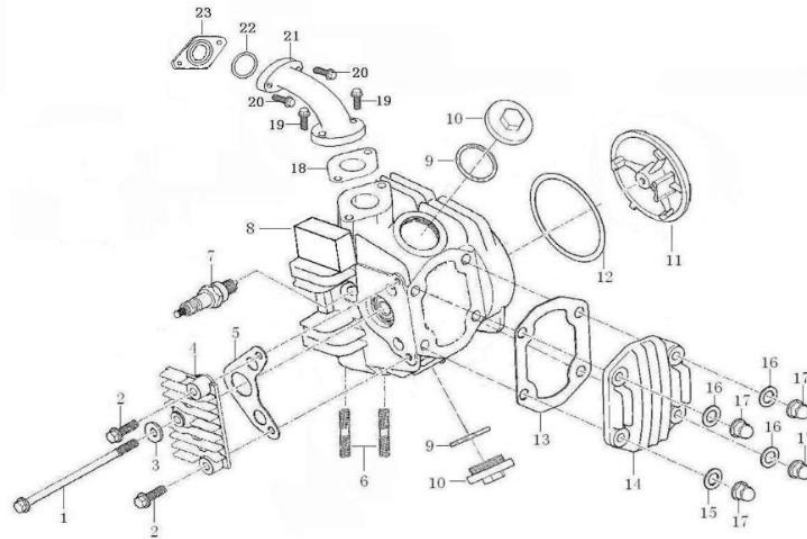
No.	Code	Name	Qty.
1	554000-0007	SIDESTAND	1
1	554000-0007-02	SIDESTAND	1
2	407002-0001	SIDESTAND SPRING	1
3	903020-0001	BOLT-M10*30*1.5 S17	1
3	903020-0001-03	BOLT-M10*30*1.5 S17	1
4	903006-0005	FLANGE NUT-M10*1.5	1
4	903006-0005-03	FLANGE NUT-M10*1.5	1
5	506003-0013-01	RIGHT FOOTPEG	1
6	904001-0001	HINGE PIN	2
7	407001-0007	RIGHT FOOTPEG SPRING	1
8	904002-0002	COTTER PIN	2
8	904002-0002-03	COTTER PIN	2
9	506003-0012-01	LEFT FOOTPEG ASSY	1
10	407001-0006	LEFT FOOTPEG SPRING	1
11	903019-0004	BOLT-M6*16	2
12	903019-0004	ENGINE BASH PLATE	1
13	903019-0013	BOLT-M8*20	2
13	903019-0013-03	BOLT-M8*20	2
14	903002-0011	FLAT WASHER-Φ13*20*1.5	1
14	903002-0011-02	FLAT WASHER-Φ13*20*1.5	1
15	903019-0016	BOLT-M8*30	2
15	903019-0016-03	BOLT-M8*30	2
16	506001-0011-02	FOOTPEG MOUNTING BAR	1
17	903002-0004	FLAT WASHER-Φ8*16*1.5	6
17	903002-0004-03	FLAT WASHER-Φ8*16*1.5	6
18	903001-0004	SPRING WASHER-Φ8*13*2	4
18	903001-0003-02	SPRING WASHER-Φ8*13*2	4
19	C90002-0043	STRAIGHT SIDE STAND ASSEMBLY	1
20	C90002-0015-02	CAST STEEL FOOTREST ASSEMBLY	1

Engine Assy



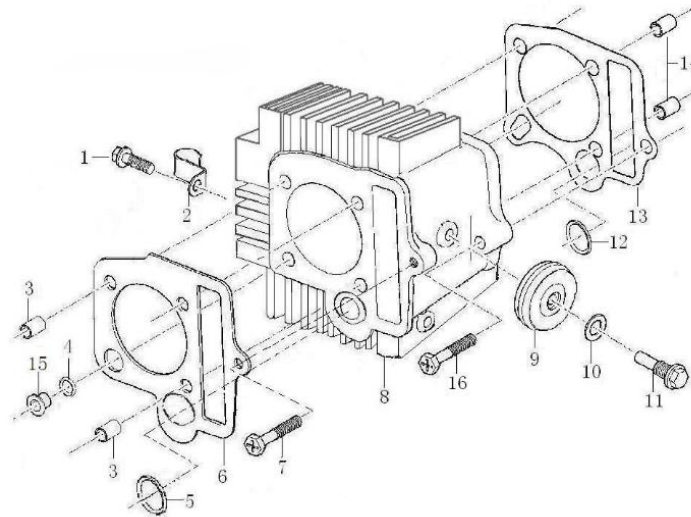
No.	Code	Name	Qty.
1	101000-0634	ENGINE ASSY	1
2	903007-0005	FLANGE LOCKNUT-M8	2
3	903018-0022	FLANGE BOLT-M8*105	1
4	903018-0025	FLANGE BOLT-M8*115	1

CYLINDER HEAD ASSY



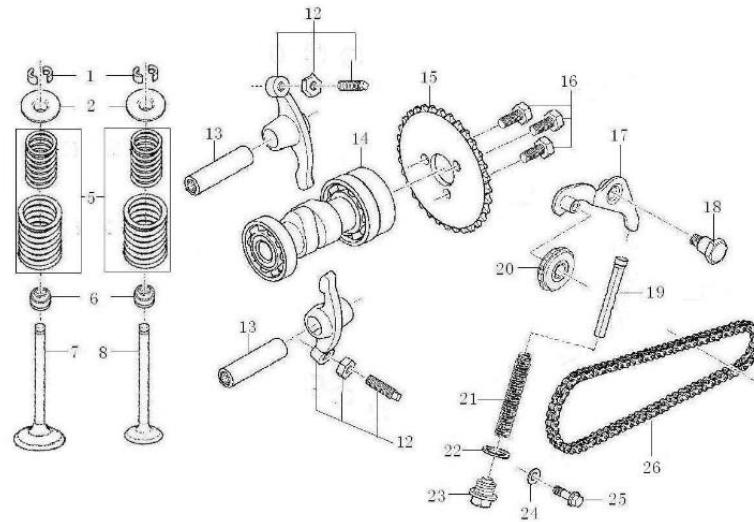
No.	Code	Name	Qty.
1	101038-0001	BOLT, M6×110	1
2	101038-0002	BOLT, M6×25	2
3	101038-0003	WASHER, 6.5×1×12	1
4	101038-0004	RIGHT COVER, CYLINDER HEAD	1
5	101038-0005	GASKET, R. CYLINDER HEAD COVER	1
6	101038-0006	BOLT, M6×32	2
7	101038-0007	SPARK PLUG	1
8	101038-0008	CYLINDER HEAD ASSY	1
9	101038-0009	O-RING, 29.6×3.2	2
10	101038-0010	COVER, VALVE CHAMBER	2
11	101038-0011	LEFT COVER, CYLINDER HEAD	1
12	101038-0012	GASKET, L. CYLINDER HEAD COVER	1
13	101038-0013	GASKET, CYLINDER HEAD UPPER COVER	1
14	101038-0014	UPPER COVER, CYLINDER HEAD	1
15	101038-0015	WASHER, 7.3×2.5×14	1
16	101038-0016	WASHER, 7.3×2.5×14	3
17	101038-0017	NUT, M7	4
18	101038-0018	GASKET, INLET PIPE	1
19	101038-0019	BOLT, M6×20	2
20	101038-0020	BOLT, M6×28	2
21	101038-0021	INLET PIPE	1
22	101038-0022	O-RING, 29×2.4	1
23	101038-0023	GASKET, CARBURETOR	1

CYLINDER ASSEMBLY



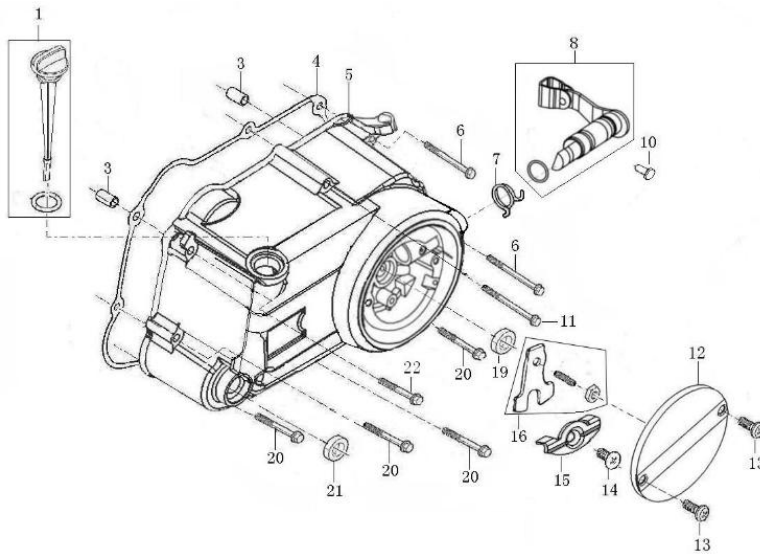
No.	Code	Name	Qty.
1	101038-0030	BOLT, M6×16	1
2	101038-0031	CLIP, HIGH VOLTAGE WIRE	1
3	101038-0027	PIN, Φ8×14×Φ7	2
4	101038-0026	RECTANGLE RING, Φ8×10.8×1.5	1
5	101038-0612	RECTANGLE RING, Φ14×18.2×2.5	1
6	101038-0029	GASKET ASSY, CYLINDER HEAD	1
7	101038-0032	BOLT, M6×23	1
8	101038-0033	CYLINDER BLOCK ASSEMBLY	1
9	101038-0035	GUIDE CHAIN ROLLER SET	1
10	101038-0036	WASHER, Φ8×1.5×Φ14	1
11	101038-0037	GUIDE CHAIN ROLLER PIN	1
12	101038-0038	RECTANGLE RING, 11.5×16×2.5	1
13	101038-0039	GASKET, CYLINDER BLOCK	1
14	101038-0028	PIN, Φ8×12×Φ7	2
15	101038-0025	BUSH, 9.5	1
16	101038-0034	BOLT, M6×30	1

VALVE MECHANISM



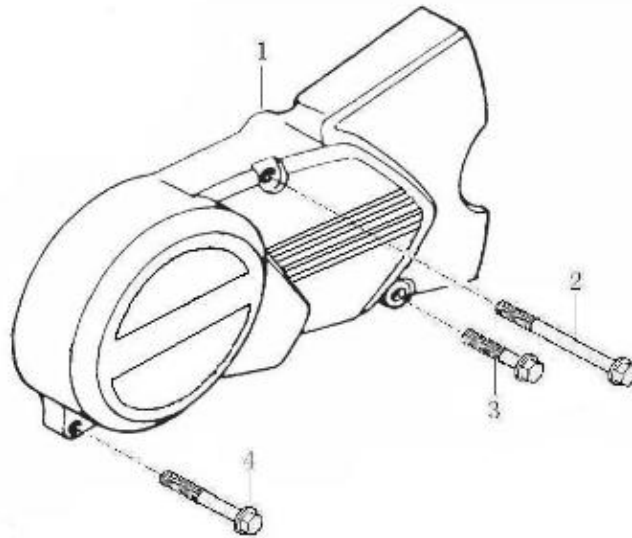
No.	Code	Name	Qty.
1	101038-0040	VALVE LOCKER	4
2	101038-0041	SPRING SEAT	2
5	101038-0044	INNER SPRING, ASSY	2
6	101038-0045	SEAL, VALVE STEM	2
7	101038-0046	INTAKE VALVE	1
8	101038-0047	EXHAUST VALVE	1
12	101038-0051	ROCKER ARM ASSEMBLY, VALVE	2
13	101038-0052	ROCKER SHAFT	2
14	101038-0053	GAMP SHAFT COMP	1
15	101038-0054	TIMING DRIVEN SPROCKET	1
16	101038-0055	BOLT, M5×12	3
17	101038-0056	CHAIN ADJUSTING SET	1
18	101038-0057	AXLE, TENSIONER LEVER	1
19	101038-0058	CHAIN TYHT SET	1
20	101038-0059	PLUG OF TIGHTENER	1
21	101038-0060	SPRING	1
22	101038-0061	WASHER, Φ14×1.5×Φ20	1
23	101038-0062	SEALING PLUG, M14×1.5	1
24	101038-0262	WASHER, Φ6.2×1.5×Φ13	1
25	101038-0616	BOLT, M6×18	1
26	101038-0063	SPROCKET CHAIN	1

RIGHT CRANKCASE COVER



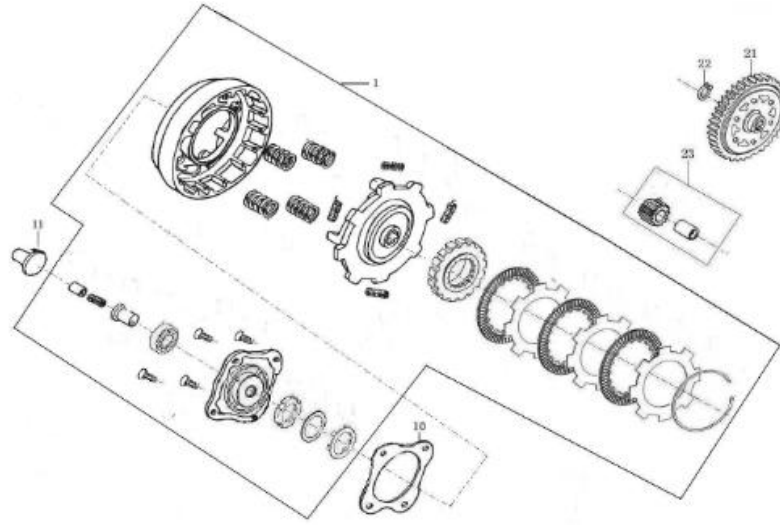
No.	Code	Name	Qty.
1	101038-0064	OIL RULER ASSY	1
3	101038-0066	PIN, $\Phi 8 \times 12 \times \Phi 6.3$	2
4	101038-0067	GASKET, R. CRANKCASE COVER	1
5	101038-0068	COVER COMP. RIGHT CRANKCASE	1
6	101038-0069	BOLT, M6 \times 80	2
7	101038-0070	CLUTCH CONTROLLING ARM SPRING	1
8	101038-0071	CONTROLLING ARM ASSEMBLY, CLUTCH	1
10	101038-0073	CLUTCH LEVER PIN	1
11	101038-0074	BOLT, M6 \times 65	1
12	101038-0617	DECORATE COVER, R. CRANKCASE COVER	1
13	101038-0076	SCREW, M6 \times 16	2
14	101038-0077	SCREW, M6 \times 12	1
15	101038-0078	CLUTCH PRESSURE CLIP	1
16	101038-0079	CLUTCH SHIFTING PLATE	1
19	101038-0082	OIL-SEAL, 12 \times 21 \times 4	1
20	101038-0083	BOLT, M6 \times 40	4
21	101038-0084	OIL SEAL, 13.8 \times 24 \times 5	1
22	101038-0085	BOLT, M6 \times 42	1

L. CRANKCASE COVER FRONT PART



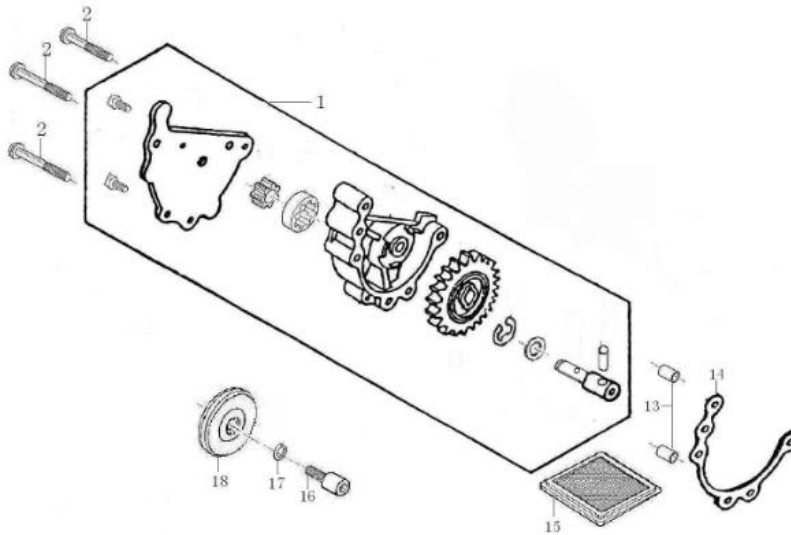
No.	Code	Name	Qty.
1	101038-0602	L. CRANKCASE COVER FRONT PART	1
2	101038-0263	BOLT, M6x35	1
3	101038-0615	BOLT, M6x28	1
4	101038-0094	BOLT, M6x32	1

CLUTCH ASSY



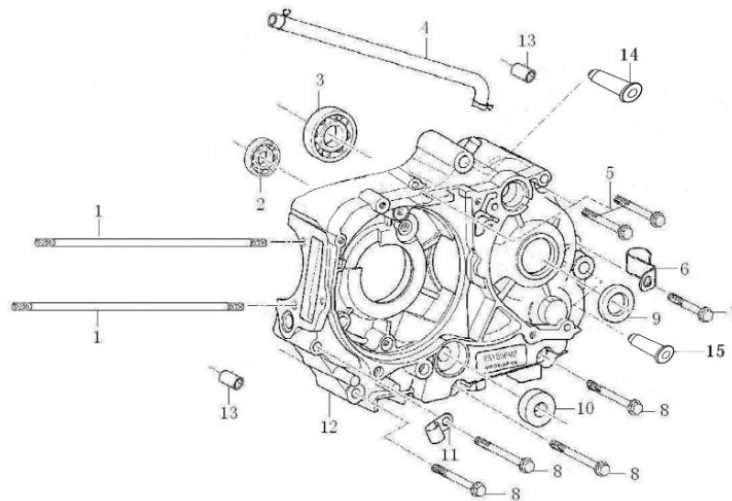
No.	Code	Name	Qty.
1	22000-IA24-0003	CLUTCH ASSY	
10	90218-D002-0000	GASKET, END COVER	
11	22403-D002-0000	PUSHING ROD, CLUTCH	
21	2312B-D002-0000	DRIVEN GEAR COMP	
22	23226-D002-0000	CIRCLIP	
23	23110-D002-0000	DRIVEN GEAR	

OIL PUMP



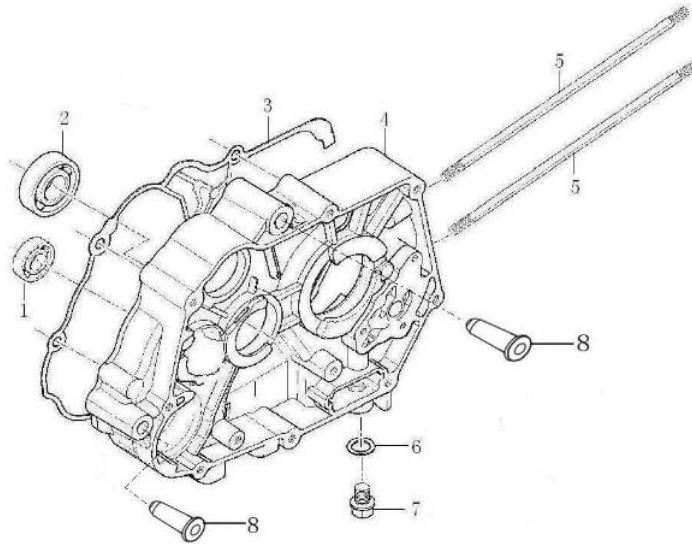
No.	Code	Name	Qty.
1	101038-0125	OIL PUMP ASSY	1
2	101038-0124	SCREW, M6×30	3
13	101038-0066	PIN, Φ8×12×Φ6.3	2
14	101038-0123	GASKET, OIL PUMP	1
15	101038-0136	STRAINER, OIL FILTER	1
16	101038-0137	SCREW	1
17	101038-0138	WASHER, Φ6	1
18	101038-0139	HUB DUMP CHAIN SPROCKET, OIL PUMP	1

LEFT CRANKCASE



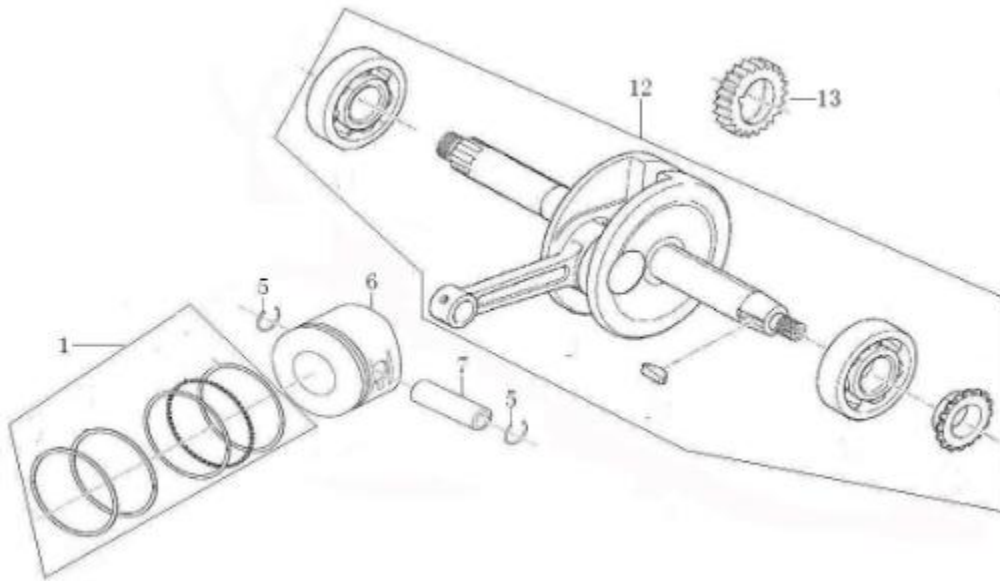
No.	Code	Name	Qty.
1	101038-0140	CYLINDER STUD BOLT A	2
2	101038-0111	BEARING, 6001	1
3	101038-0142	BEARING, 6203	1
4	101038-0143	PIPE ASSY	1
5	101038-0145	BOLT, M6×60	2
6	101038-0031	CLIP, HIGH VOLTAGE WIRE	1
7	101038-0147	BOLT, M6×45	1
8	101038-0074	BOLT, M6×65	4
9	101038-0148	OIL SEAL, 17×29×5	1
10	101038-0150	OIL-SEAL, 11.6×24×10	1
11	101038-0599	CLIP, OVERFLOW PIPE	1
12	101038-0600	LEFT CRANKCASE BLOCK	1
13	101038-0144	PIN, 10×14	2
14	101038-0597	ABSORBER SLEEVE	1
15	101038-0598	ABSORBER SLEEVE	1

RIGHT CRANKCASE



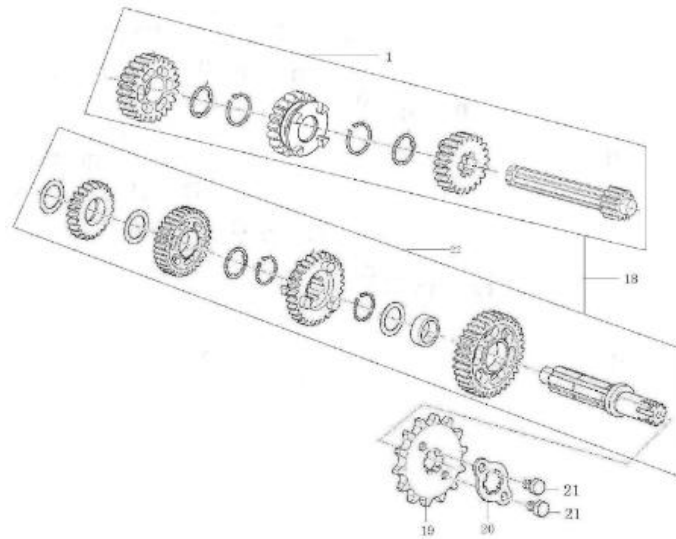
No.	Code	Name	Qty.
1	101038-0154	BEARING, 6201	1
2	101038-0142	BEARING, 6203	1
3	101038-0613	GASKET, CRANKCASE	1
4	101038-0601	RIGHT CRANKCASE BLOCK	1
5	101038-0158	CYLINDER STUD BOLT B	2
6	101038-0159	WASHER, 12.4×2×20	1
7	101038-0160	OIL DRAIN PLUG	1
8	101038-0598	ABSORBER SLEEVE	2

CRANKSHAFT CONNECTING-ROD ASSY/PISTON



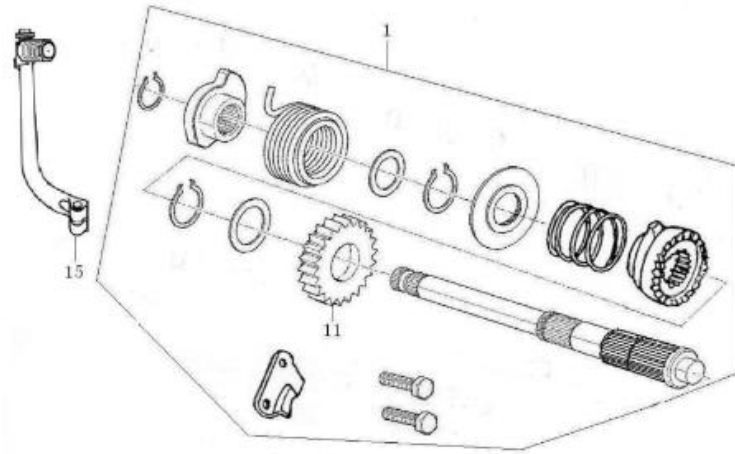
No.	Code	Name	Qty.
1	101038-0161	PISTON RING COMP	1
5	101038-0165	CHECK RING, PISTON PIN	2
6	101038-0166	PISTON	1
7	101038-0167	PIN PISTON	1
12	101038-0172	CRANKSHAFT CONNECTING-ROD ASSY	1
13	101038-0173	DRIVE GEAR, OIL PUMP	1

TRANSMISSION MAIN,COUNTER SHAFT



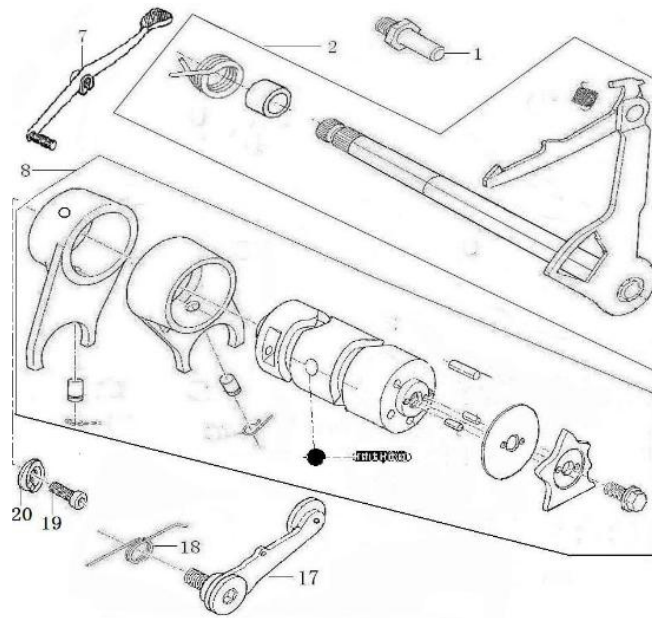
No.	Code	Name	Qty.
1	101038-0604	MAIN SHAFT, TRANSMISSION	1
18	101038-0603	TRANSMISSION MAIN, COUNTER SHAFT	1
19	101038-0192	DRIVE SPROCKET	1
20	101038-0193	FIXING PLATE, DRIVE SPROCKET	1
21	101038-0194	BOLT, M6×10	2
22	101038-0605	COUTERSHAFT TRANSMISSION	1

KICK STARTING SHAFT ASSEMBLY



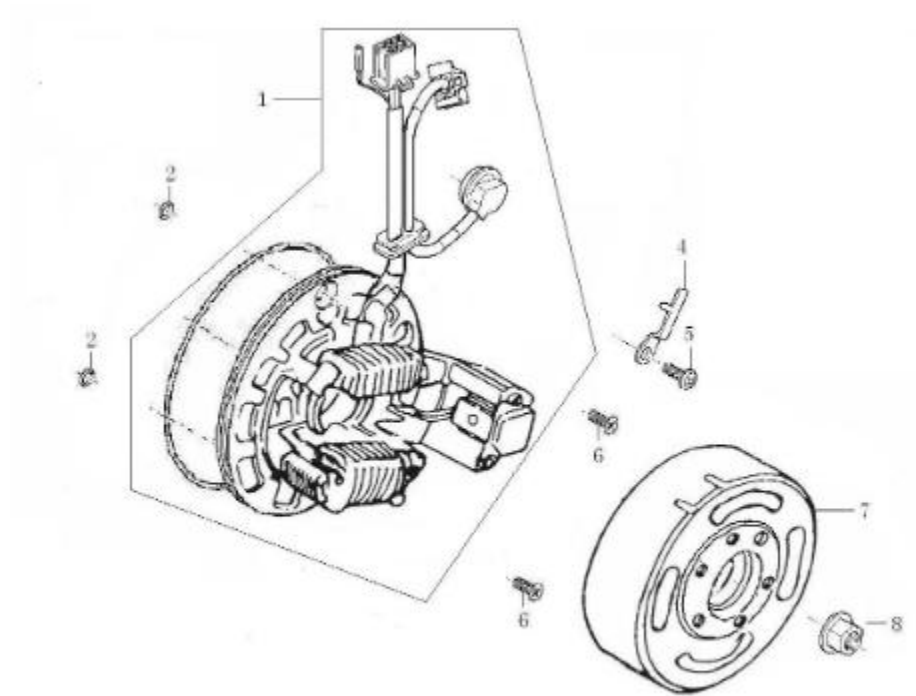
No.	Code	Name	Qty.
1	101038-0195	KICK STARTING SHAFT ASSEMBLY	1
11	101038-0205	GEAR, KICK STARTER	1
15	101038-0209	START-UP BAR COMP	1

GEARSHIFT MECHANISM



No.	Code	Name	Qty.
1	101038-0210	BOLT, RETURN SPRINGN FIXING 8×11	1
2	101038-0607	GEARSHIFT LEVER COMP	1
7	101038-0216	GEARSHIFT SHAFT	1
8	101038-0606	GEARSHIFT DRUM COMP	1
17	101038-0226	LOCATING PLATE ASSY	1
18	101038-0227	SPRING, LOCATING PLATE	1
19	101038-0228	SCREW	1
20	101038-0210	CONTACT, CEARINDICATION	1

MAGNETO COMP



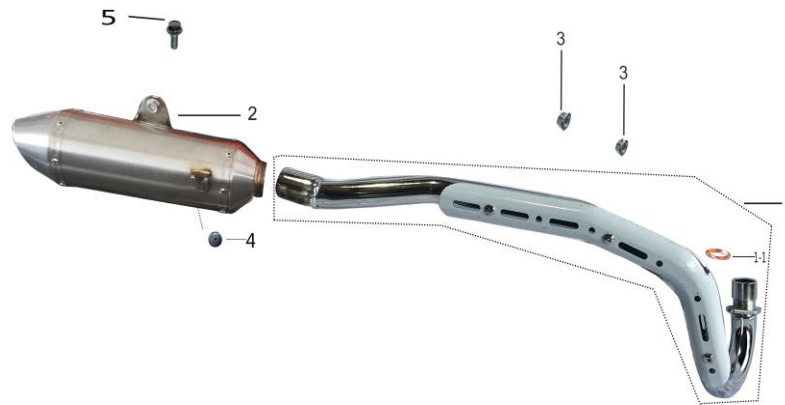
No.	Code	Name	Qty.
1	101038-0608	STATOR ASSY, MAGNETO	1
2	101038-0611	O-RING, 6.5×1.8	2
4	101038-0610	GEARSHIFT SWITCH PRESSING PLATE	1
5	101038-0230	SCREW, M6×12	1
6	101038-0614	SCREW, M6×16	2
7	101038-0609	ROTOR ASSY, MAGNETO	1
8	101038-0243	NUT	1

Carburetor & Air Filter Assy



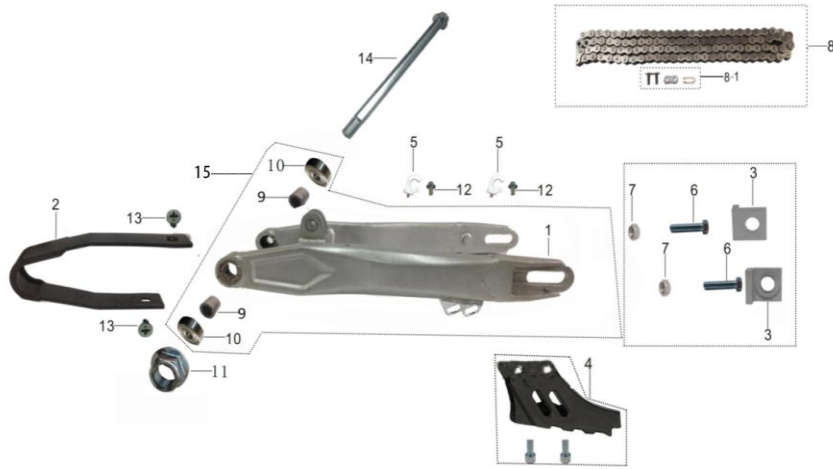
No.	Code	Name	Qty.
1	102000-0058	CARBURETOR	1
2	903006-0002	FLANGE NUT-M6	2
2	903006-0002-03	FLANGE NUT-M6	2
3	105000-0038	AIR FILTER	1
3	105000-0038-02	AIR FILTER	1

Muffler Assy



No.	Code	Name	Qty.
1	106001-0123	EXHAUST PIPE	1
1-1	106003-0002	MUFFLER SEAL	1
2	106002-0038	MUFFLER	1
3	903007-0003	FLANGE LOCKNUT-M6	2
4	908007-0052	INSULATED SPACER	1
5	903019-0014	FLANGE BOLT-M8*25	1
5	903019-0014-03	FLANGE BOLT-M8*25	1

Swingarm Kit



No.	Code	Name	Qty.
1	553000-0060	STEEL SWINGARM	1
2	203004-0031	CHAIN SLIDER	1
3	203002-0001-06	ALLOY CHAIN ADJUSTOR	2
4	203004-0036-01	CHAIN GUIDE	1
5	405010-0003	REAR BRAKE HOSE CLIP	2
6	903017-0007-03	BOLT-M8*40 S10	2
6	903017-0007-04	BOLT-M8*40 S10	2
7	903005-0006	NUT-M8	2
7	903005-0006-02	NUT-M8	2
8	203000-0065	CHAIN	1
8-1	203001-0004	CHAIN JOINT	1
9	902001-0035	FLAT BUSHING-Φ10.2*22.5*H16	2
10	907001-0014	BEARING	2
11	903007-0006	FLANGE LOCKNUT-M10*1.25	1
11	903007-0006-02	FLANGE LOCKNUT-M10*1.25	1
12	903018-0003	FLANGE BOLT-M6*12	2
12	903018-0003-03	FLANGE BOLT-M6*12	2
13	903011-0002	SCREW-M6*12	2
13	903011-0002-03	SCREW-M6*12	2
14	901001-0005	FLANGE AXLE	1
15	C90002-0025-02	STRAIGHT SWINGARM ASSEMBLY	1

Rear Shock Assy



No.	Code	Name	Qty.
1	502000-0095	REAR SHOCK	1
1	502000-0096-02	REAR SHOCK	1
2	901001-0001	FLANGE AXLE- Φ10*45*M10*1.25MM	2
3	903007-0006	FLANGE LOCKNUT-M10*1.25	2
3	903007-0006-020	FLANGE LOCKNUT-M10*1.25	2

Electric Component Assy



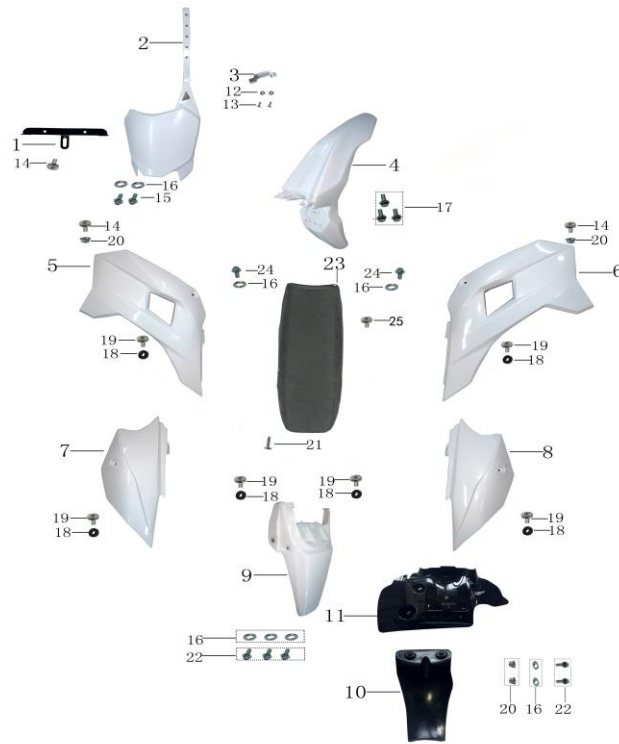
No.	Code	Name	Qty.
1	309001-0143	MAIN CABLE	1
2	303001-0001	CDI	1
3	306001-0001	IGNITION COIL	1
4	903018-0005	FLANGE BOLT-M6*20	1
4	903018-0005-03	FLANGE BOLT-M6*20	1

Fuel Tank Assy



No.	Code	Name	Qty.
1	805001-0020	FUEL TANK ASSY	1
1	805001-0020-02	FUEL TANK ASSY	1
1-1	805004-0008	FUEL TANK TAP	1
1-1	805004-0032	FUEL TANK TAP	1
2	805005-0001-06	FUEL CAP BREATHER	1
3	906002-0003	PIPE CLIP-Φ8.2	1
4	903019-0019	FLANGE BOLT-M8*35	1
5	903002-0005	FLAT WASHER Φ8*28*1.5	1
5	903002-0005-03	FLAT WASHER Φ8*28*1.5	1
6	906002-0002	PIPE CLIP-Φ8	1
7	906002-0001	PIPE CLIP-Φ7.5	1
8	906002-0004	PIPE CLIP-Φ8.5	1
9	903002-0002	FLAT WASHER-Φ6*18*1.5	2
9	903002-0002-03	FLAT WASHER-Φ6*18*1.5	2
10	903018-0008	FLANGE BOLT-M6*40	2
10	903018-0008-03	FLANGE BOLT-M6*40	2
11	805003-0004	FUEL TANK CAP	1

Plastic Assy



No.	Code	Name	Qty.
1	555000-0137	FRONT PLATE BRACKET	1
1	555000-0137-02	FRONT PLATE BRACKET	1
2	801013-0001-02	FRONT PLATE	1
2	801013-0001-05	FRONT PLATE	1
3	801003-0011	CLIP	1
4	801013-0002	FRONT FENDER	1
4	801013-0002-05	FRONT FENDER	1
5	801007-0001-03	LEFT FRONT PANEL	1
5	801007-0001-05	LEFT FRONT PANEL	1
5	801007-0001-06	LEFT FRONT PANEL	1
6	801007-0002-03	RIGHT FRONT PANEL	1
6	801007-0002-05	RIGHT FRONT PANEL	1
6	801007-0002-06	RIGHT FRONT PANEL	1
7	801007-0003	LEFT REAR PANEL	1
7	801007-0003-05	LEFT REAR PANEL	1
7	801007-0003-06	LEFT REAR PANEL	1
8	801007-0004	RIGHT REAR PANEL	1
8	801007-0004-05	RIGHT REAR PANEL	1

8	801007-0004-06	RIGHT REAR PANEL	1
9	801004-0007-05	REAR PANEL	1
9	801004-0007-07	REAR PANEL	1
9	801004-0007-08	REAR PANEL	1
10	801019-0009	SMALL REAR PANEL	1
11	801013-0006	REAR FENDER	1
12	903008-0024	NUT-M4	2
12	903008-0024-02	NUT-M4	2
13	903009-0003	SCREW-M4*12	2
13	903009-0003-03	SCREW-M4*12	2
14	903012-0011	SCREW-TM6*10	3
14	903012-0011-03	SCREW-TM6*10	3
15	903018-0003	FLANGE BOLT-M6*12	2
15	903018-0003-03	FLANGE BOLT-M6*12	2
16	903002-0002	FLAT WASHER- Φ 6*18*1.5	9
16	903002-0002-03	FLAT WASHER- Φ 6*18*1.5	9
17	903018-0004	FLANGE BOLT-M6*16	3
17	903018-0004-03	FLANGE BOLT-M6*16	3
18	908003-0002	RUBBER WASHER Φ 5.5*14.5*2	6
19	903012-0007	SCREW-TM6*16	6
19	903012-0007-03	SCREW-TM6*16	6
20	903006-0002	NUT-M6	4
20	903006-0002-03	NUT-M6	4
21	903010-0007	SCREW-ST4.8*16	1
21	903010-0007-02	SCREW-ST4.8*16	1
22	903019-0004	FLANGE BOLT-M6*16	5
23	701000-0004-05	SEAT ASSY	1
24	903019-0005	FLANGE BOLT-M6*20	2
24	903019-0005-03	FLANGE BOLT-M6*20	2
25	903012-0006	SCREW-TM6*12	1
25	903012-0006-03	SCREW-TM6*12	1
	C90002-0054	PLASTIC PARTS ASSEMBLY	1

Sticker



No.	Code	Name	Qty.
1	802007-0413	STICKER	1
1	802007-0413-02	STICKER	1
2	802007-0415	HANDLEBAR PAD COVER	1