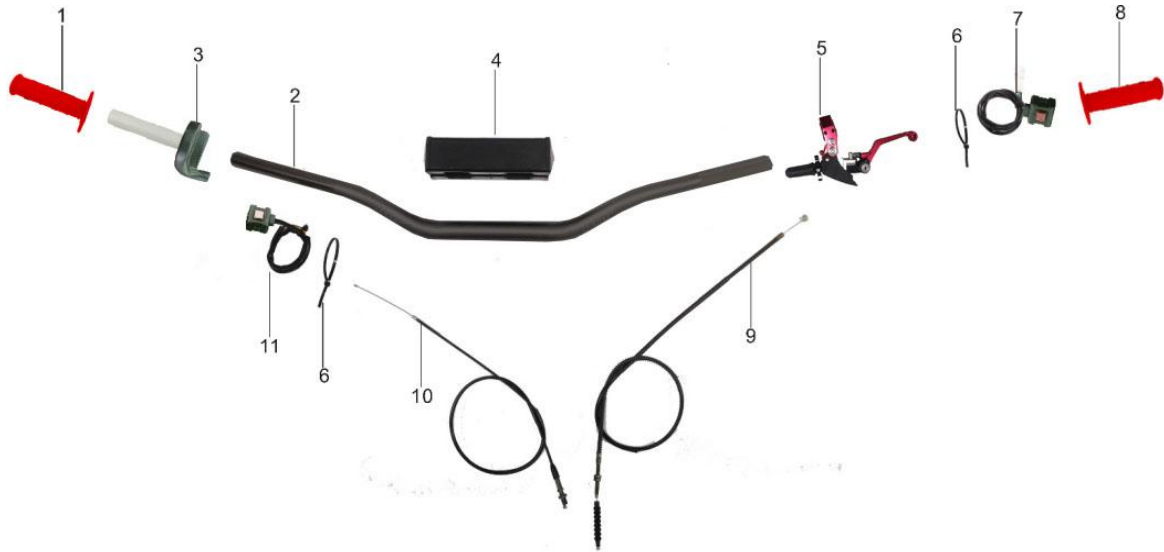


T4 300 Parts Catalog

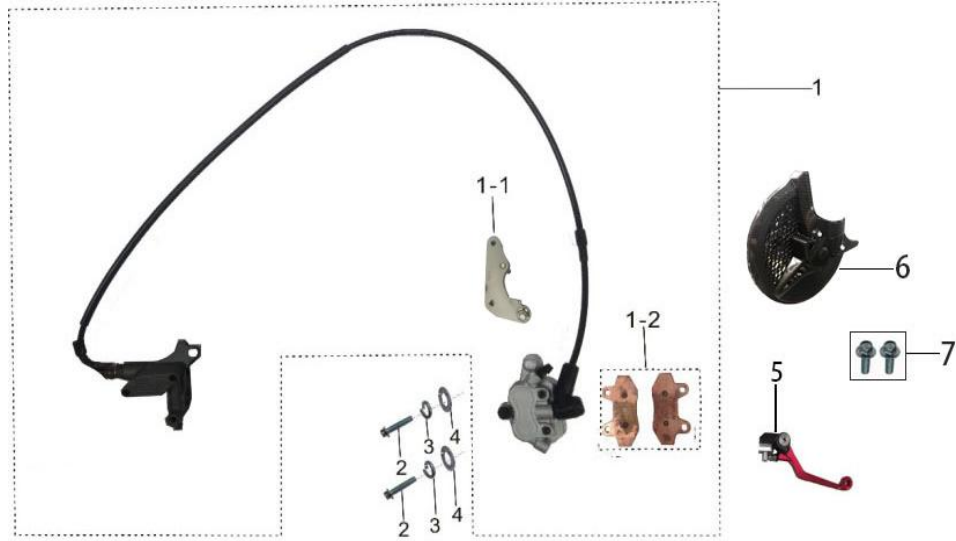


Handlebar Assy



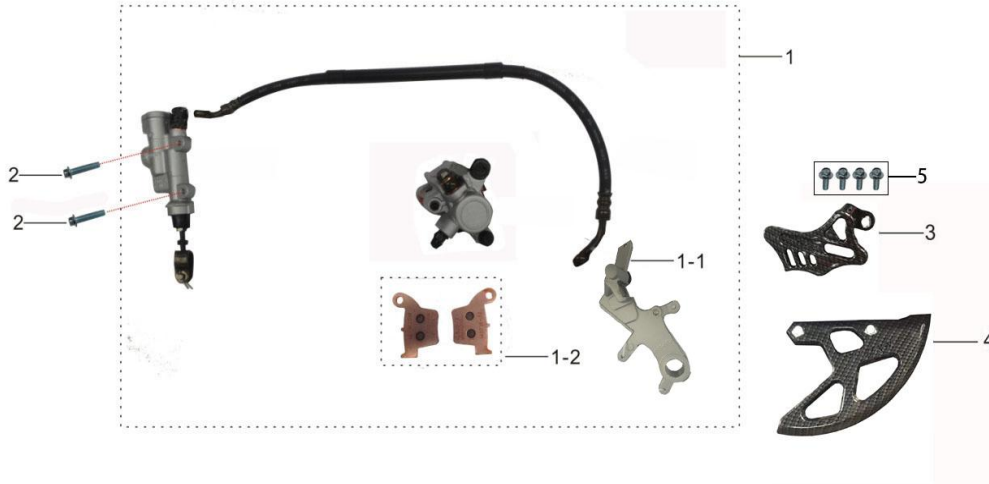
No.	Code	Name	Qty.
1	602006-0007-06	RIGHT BAR GRIP	1
2	602002-0027-02	ALUMINIUM HANDLE BAR	1
3	602011-0009	THROTTLE PERCH	1
4	602017-0005	HANDLE BAR PAD	1
5	602007-0030	CLUTCH LEVER ASSY.	1
6	906003-0002	CABLE TIES	2
7	313003-0014	STOP SWITCH	1
8	602006-0006-06	LEFT BAR GRIP	1
9	602013-0018	CLUTCH CABLE	1
10	602014-0019-02	THROTTLE CABLE	1
11	313002-0006	START SWITCH	1

Front Brake Assy



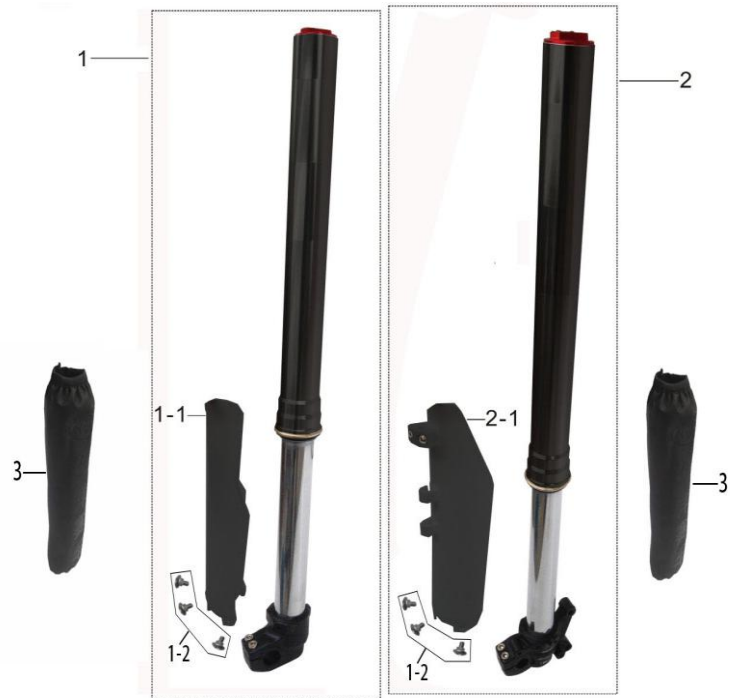
No.	Code	Name	Qty.
1	404000-0065-02	FRONT BRAKE ASSY.	1
1-1	404008-0008	FRONT BRAKE BRACKET	1
1-2	404007-0010	FRONT BRAKE PAD	1
2	903018-0012	FLANGE BOLT-M8*40	2
2	903018-0012-03	FLANGE BOLT-M8*40	2
3	903001-0004	SPRING WASHER-Φ8*13*2	2
3	903001-0003-02	SPRING WASHER-Φ8*13*2	2
4	903002-0004	FLAT WASHER-Φ8*16*1.5	2
4	903002-0004-03	FLAT WASHER-Φ8*16*1.5	2
5	404002-0035	FRONT BRAKE LEVER	1
6	404010-0002-02	FRONT BRAKE DISC PROTECTOR	1
7	903018-0003	BOLT-M6*12	2
7	903018-0003-03	BOLT-M6*12	2

Rear Brake Assy



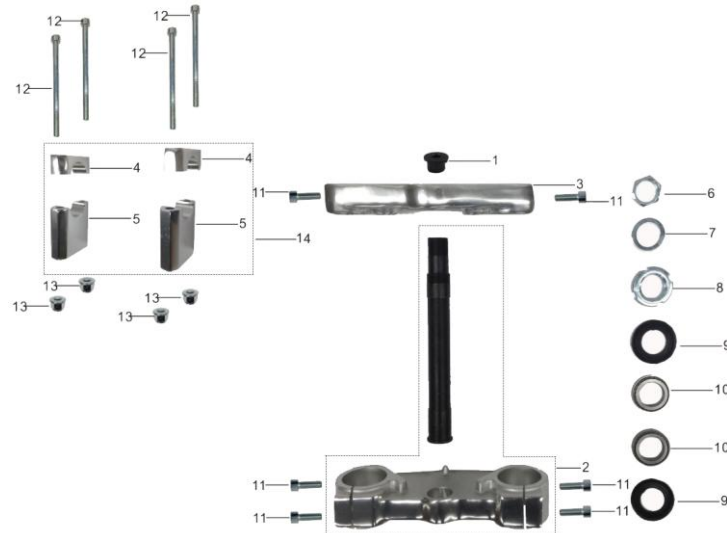
No.	Code	Name	Qty.
1	405000-0048	REAR BRAKE ASSY.	1
1-1	405009-0006	REAR BRAKE BRACKET	1
1-2	405008-0010	REAR BRAKE PAD	1
2	903020-0034	SCREW- M6*20	2
2	903020-0034-02	SCREW- M6*20	2
3	405011-0001-02	REAR BRAKE PUMP COVER	1
4	405011-0002-02	REAR BRAKE COVER	1
5	903018-0003	BOLT-M6*12	4
5	903018-0003-03	BOLT-M6*12	4

Front Shock Assy



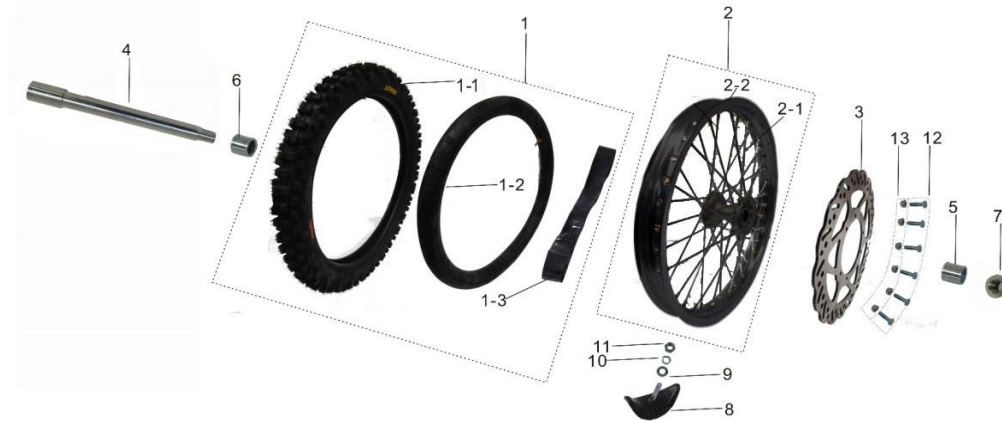
No.	Code	Name	Qty.
1	501000-0052-02	FRONT RIGHT SHOCK	1
1-1	501001-0008-02	FRONT RIGHT SHOCK GUARD	1
1-2	903020-0047	BOLT-M6*8+Φ10*4	6
2	501000-0051-02	FRONT LEFT SHOCK	1
2-1	501001-0007-02	FRONT LEFT SHOCK GUARD	1
3	501004-0002-02	FRONT LEFT SHOCK COVER	2

Clamps Assy



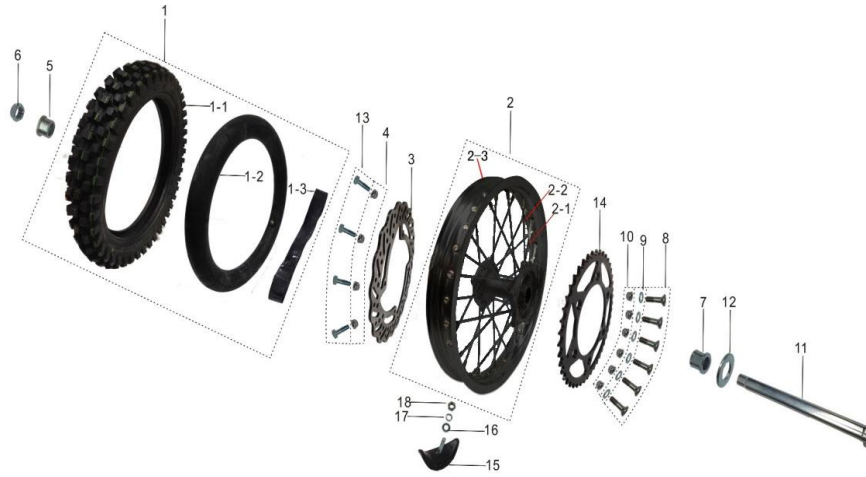
No.	Code	Name	Qty.
1	908004-0004	STEERING PLUG	1
2	601002-0017	LOWER CLAMP ASSY	1
3	601001-0007-02	UPPER CLAMP	1
4	601003-0002-03	UPPER RAISERS	2
5	601004-0003-03	LOWER RAISERS	2
6	601005-0002	NUT-M26*1	1
7	601005-0014	WASHER- Φ 27*40*1.5	1
8	601005-0006	LOCK NUT-M30*1*H12	1
9	601005-0010	DUST SEAL	2
10	907002-0008	BEARING	2
11	903013-0020	SCREW-M8*25	6
11	903013-0020-05	SCREW-M8*25	6
12	903013-0035	SCREW-M8*120	4
13	903007-0005	FLANGE LOCK NUT-M8	4
14	C90002-0007	UPPER AND LOWER CLAMPING BLOCK ASSEMBLY	1

Front Wheel Assy



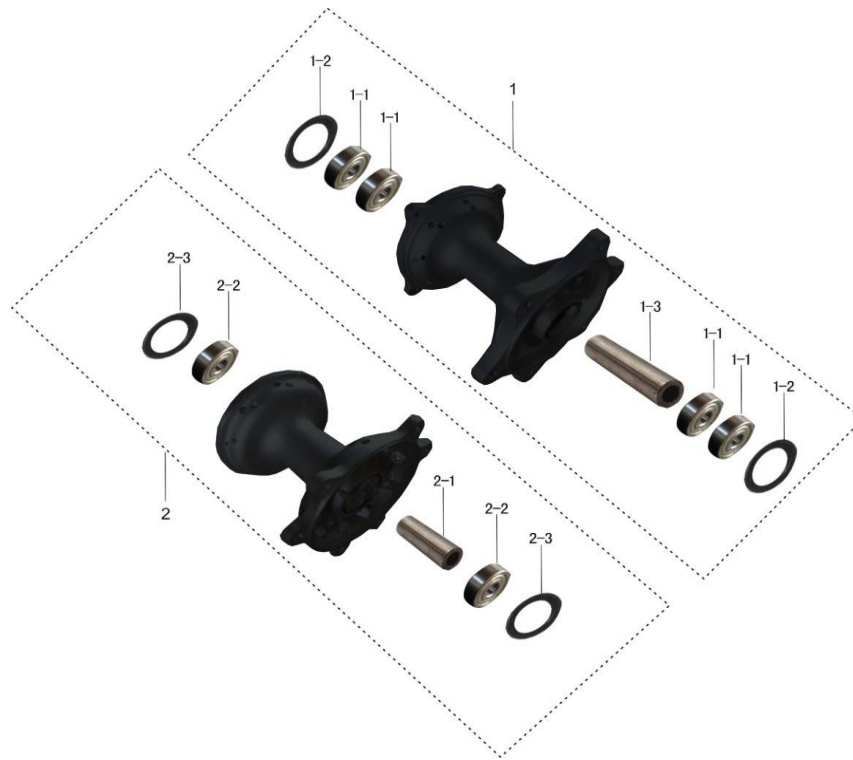
No.	Code	Name	Qty.
1	401005-0013	FRONT TYRE & INNER TUBE ASSY	1
1-1	401006-0011	FRONT TYRE	1
1-2	401007-0006	FRONT INNER TUBE	1
1-3	401008-0007	INNER TUBE BAND	1
2	401000-0043-02	FRONT RIM	1
2-1	401004-0013-02	SPOKE ASSY.	36
2-2	401001-0010	ALUMINIUM RIM	1
3	404001-0012	FRONT BRAKE DISC	1
4	901003-0001	AXLE	1
5	902003-0001	FRONT LEFT CONCAVE BUSH	1
6	902003-0003	FRONT RIGHT CONCAVE BUSH	1
7	903007-0010	FLANGE LOCK NUT-M16*1.5	1
7	903007-0010-02	FLANGE LOCK NUT-M16*1.5	1
8	401010-0004	RIM LOCK	1
9	903002-0004	FLAT WASHER-Φ8*16*1.5	1
9	903002-0004-03	FLAT WASHER-Φ8*16*1.5	1
10	903001-0004	SPRING WASHER-Φ8*13*2	1
10	903001-0003-02	SPRING WASHER-Φ8*13*2	1
11	903005-0006	NUT-M8	1
11	903005-0006-02	NUT-M8	1
12	903017-0001	BOLT-M6*20	6
12	903017-0001-02	BOLT-M6*20	6
13	903007-0003	FLANGE LOCK NUT-M6	6
	C90002-0114	FRONT WHEEL ASSY	1

Rear Wheel Assy



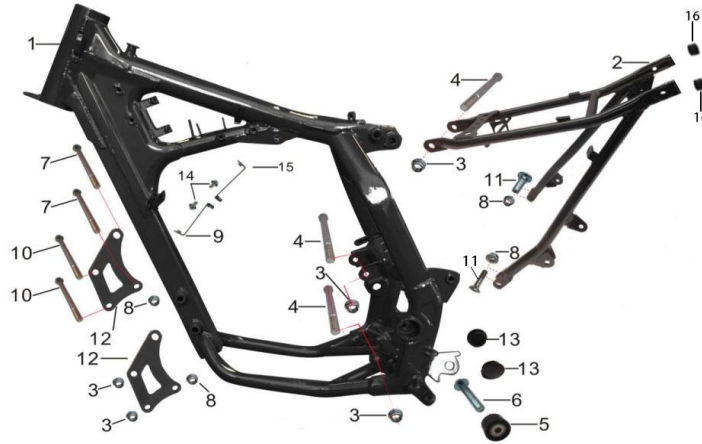
No.	Code	Name	Qty.
1	402005-0015	REAR TYRE & INNER TUBE ASSY	1
1-1	402006-0008	REAR TYRE	1
1-2	402007-0005	REAR INNER TUBE	1
1-3	401008-0005	INNER TUBE BAND	1
2	402000-0049-02	REAR RIM	1
2-1	402004-0012-02	SPOKE ASSY.	16
2-2	402004-0013-02	SPOKE ASSY.	16
2-3	402001-0016	ALUMINIUM RIM	1
3	405001-0006	REAR BRAKE DISC	1
4	903007-0003	FLANGE LOCK NUT-M6	4
5	902003-0004	REAR RIGHT CONCAVE BUSH	1
6	903008-0008	LOCK NUT-M22*1.5	1
7	902003-0002	REAR LEFT CONCAVE BUSH	1
8	903014-0003	BOLT-M8*31	6
9	903002-0004	FLAT WASHER-Φ8*16*1.5	6
9	903002-0004-03	FLAT WASHER-Φ8*16*1.5	6
10	903008-0007	LOCK NUT-M8	6
10	903008-0007-02	LOCK NUT-M8	6
11	901003-0016	AXLE	1
12	601005-0012	WASHER-Φ23*36*1.5	1
13	903017-0001	BOLT-M6*20	4
13	903017-0001-02	BOLT-M6*20	4
14	205001-0021	STEEL REAR SPROCKET	1
15	401010-0005	RIM LOCK	1
16	903002-0004	FLAT WASHER- Φ8*16*1.5	1
17	903001-0004	SPRING WASHER-Φ8*13*2	1
18	903005-0007	NUT-M8	1
	C90002-0115	REAR WHEEL ASSY	1

Front and Rear Wheel Hub Assy



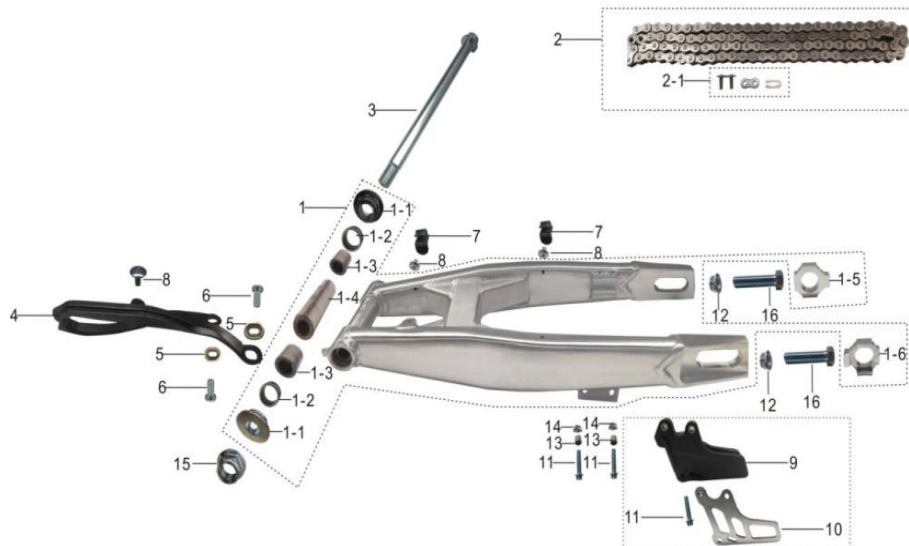
No.	Code	Name	Qty.
1	402003-0013-03	REAR HUB ASSY.	1
1-1	907001-0023	REAR HUB BEARING	4
1-2	908001-0016	REAR HUB OIL SEAL	2
1-3	902001-0086	REAR HUB BUSH	1
2	401003-0005-03	FRONT HUB ASSY.	1
2-1	902001-0084	FRONT HUB BUSH	1
2-2	907001-0022	FRONT HUB BEARING	2
2-3	908001-0015	FRONT HUB OIL SEAL	2

Frame Assy



No.	Code	Name	Qty.
1	551000-0125-01	FRAME ASSY.	1
1	551000-0157-01	FRAME ASSY.	1
1	551000-0157-0202	FRAME ASSY.	1
2	552000-0030-01	SUB FRAME ASSY.	1
2	552000-0038-01	SUB FRAME ASSY.	1
3	903007-0006	FLANGE LOCKNUT-M10*1.25	5
3	903007-0006-02	FLANGE LOCKNUT-M10*1.25	5
4	903017-0017	BOLT-M10*110*1.25	3
4	903017-0017-02	BOLT-M10*110*1.25	3
5	203004-0016	CHAIN ROLLER	1
6	903018-0012	FLANGE BOLT-M8*40	1
6	903018-0012-03	FLANGE BOLT-M8*40	1
7	903018-0020	FLANGE BOLT-M8*90	2
7	903018-0020-02	FLANGE BOLT-M8*90	2
8	903007-0005	FLANGE LOCK NUT-M8	4
8	903006-0003-03	FLANGE LOCK NUT-M8 S12	2
9	555000-0146	LEFT FRONT FENDER BRACKET	1
10	903019-0023	FLANGE BOLT-M10*90*1.25	2
11	903016-0003	SCREW-M8*26	2
11	903016-0003-03	SCREW-M8*26	2
11	903020-0057	BOLT-M8*25	2
12	555000-0183	ENGINE MOUNTING PLATE	2
13	908004-0008	SWING ARM PLUG	2
14	903018-0003	FLANGE BOLT-M6*12	2
14	903018-0003-03	FLANGE BOLT-M6*12	2
15	555000-0147	RIGHT FRONT FENDER BRACKET	1
16	908004-0002	CHAIN SUPPORT PLUG	2

Swingarm Kit



No.	Code	Name	Qty.
1	553000-0035	ALUMINIUM SWING ARM ASSY.	1
1-1	902002-0049	STEP BUSH	2
1-2	907002-0005	BEARING	2
1-3	902001-0106	BUSH-' Φ 17.5*22*H30	2
1-4	902001-0105	BUSH-' Φ 17.5*22*H105	1
1-5	203003-0006	RIGHT CHAIN ADJUSTER	1
1-6	203003-0005	LEFT CHAIN ADJUSTER	1
2	203000-0073	CHAIN	1
2-1	203001-0006	CHAIN LINKAGE	1
3	901001-0038-02	FLANGE AXLE	1
4	203004-0018	CHAIN SLIDER	1
5	903003-0006	OVAL GASKET	2
6	903009-0010	SCREW-M6*12	2
6	903009-0010-03	SCREW-M6*12	2
7	405010-0001	REAR BRAKE OIL PIPE CLIP	2
8	903012-0006	SCREW-TM6*12	3
8	903012-0006-03	SCREW-TM6*12	3
9	203004-0001	CHAIN GUARD PLASTIC	1
10	203004-0002	CHAIN GUARD SLICE	1
11	903018-0008	FLANGE BOLT-M6*40	3
11	903018-0008-03	FLANGE BOLT-M6*40	3
12	903006-0004	FLANGE NUT-M10*1.25	2
12	903006-0004-02	FLANGE NUT-M10*1.25	2
13	903002-0002	FLAT WASHER- Φ 6*18*1.5	2
13	903002-0002-03	FLAT WASHER- Φ 6*18*1.5	2
14	903007-0003	FLANGE LOCK NUT-M6	2
15	903007-0011	FLANGE LOCK NUT-M16*1.5	1
15	903007-0011-02	FLANGE LOCK NUT-M16*1.5	1
16	903017-0014	BOLT- M10*40*1.25	2

Rear Shock Absorber Assy



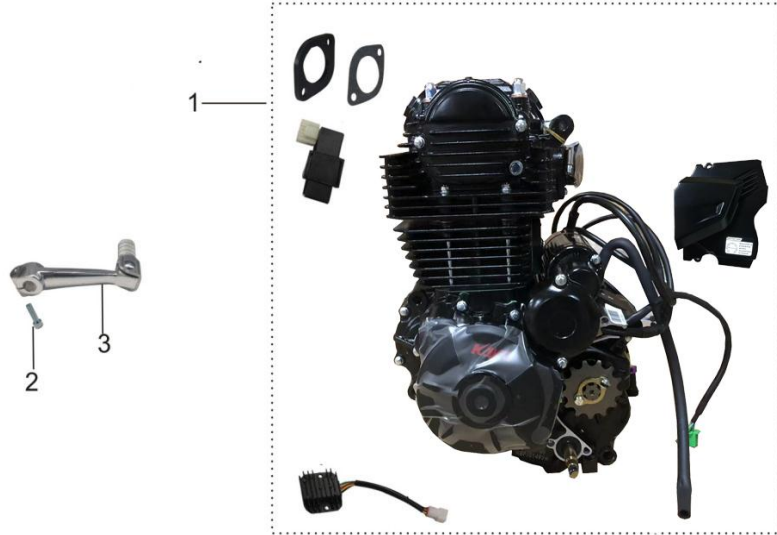
No.	Code	Name	Qty.
1	502000-0043-02	REAR SHOCK ASSY.	1
2	504000-0002	U-SHAPED LINKAGE	1
3	503000-0001	TRIANGLE LINKAGE	1
4	903017-0016	BOLT-M10*85*1.25	1
4	903017-0016-02	BOLT-M10*85*1.25	1
5	903020-0013	OVAL HEAD BOLT-M10*42*1.25+Φ10*28	1
5	903020-0013-02	OVAL HEAD BOLT-M10*42*1.25+Φ10*28	1
6	903019-0023	FLANGE BOLT-M10*90*1.25	1
7	903007-0006	FLANGE LOCK NUT-M10*1.25	4
7	903007-0006-02	FLANGE LOCK NUT-M10*1.25	4
8	903006-0004	FLANGE NUT-M10*1.25	1
8	903006-0004-02	FLANGE NUT-M10*1.25	1
9	903018-0035	FLANGE BOLT-M10*70*1.25	1
9	903018-0035-02	FLANGE BOLT-M10*70*1.25	1
10	502001-0004	REAR SHOCK BUSH	1
11	901001-0003-02	FLANGE AXLE	1

Brake Pedal Assy



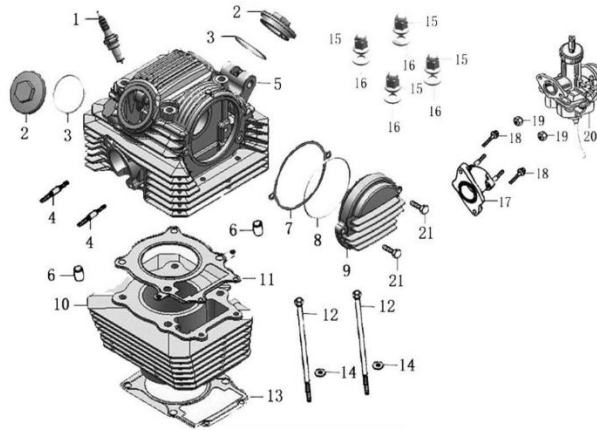
No.	Code	Name	Qty.
1	406001-0038	BRAKE PEDAL	1
2	406002-0005	BRAKE PEDAL HEAD	1
3	908005-0001	RUBBER O RING	2
4	406003-0002	BRAKE PEDAL FIXING COLUMN	1
5	407003-0001	REAR BRAKE SPRING	1
6	903013-0001	SCREW-M5*12	2
6	903013-0001-02	SCREW-M5*12	2
	C90002-0173	BRAKE PEDAL ASSEMBLY	1

Engine Assy



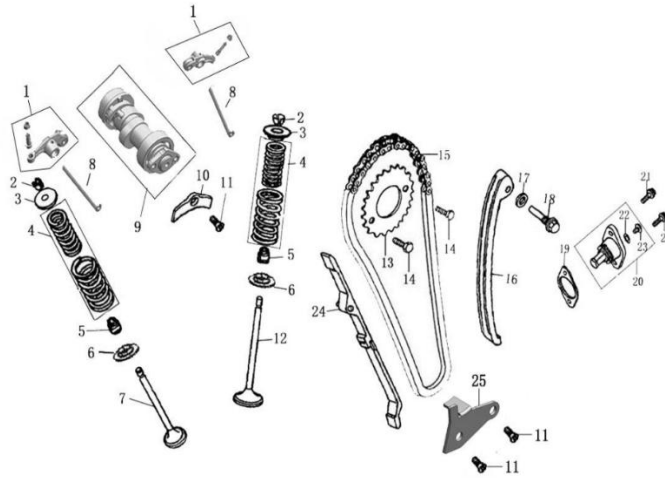
No.	Code	Name	Qty.
1	101000-0648	ENGINE ASSY.	1
2	903013-0008	SCREW-M6*20	1
2	903013-0008-03	SCREW-M6*20	1
3	201002-0024	GEAR SHIFT LEVER	1

CYLINDER HEAD ASSY/CYLINDER ASSEMBLY



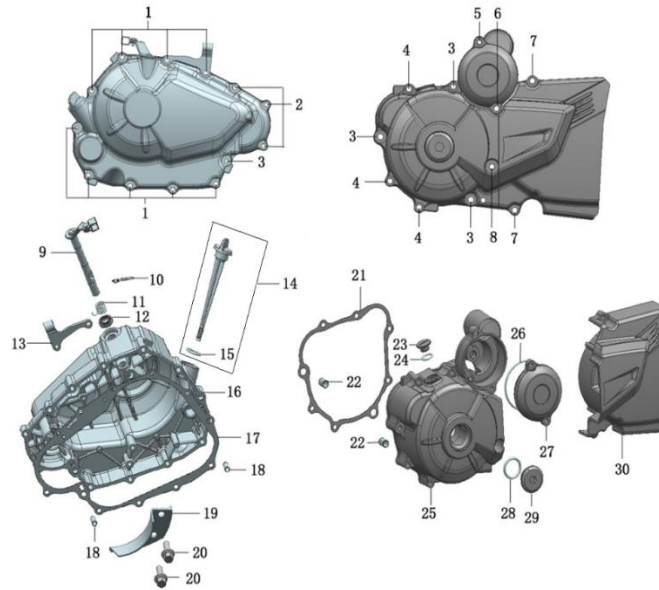
No.	Code	Name	Qty.
1	101029-1659	SPARK PLUG	1
2	101029-0830	COVER VALVE CHAMBER	2
2	101029-0830-02	COVER VALVE CHAMBER	2
3	101029-0831	O-RING, $\Phi 45 \times 3$	2
4	101028-0288	BOLT, M8 \times 38	2
5	101029-0833	CYLINDER HEAD ASSY	1
5	101029-0833-02	CYLINDER HEAD ASSY	1
6	101028-0297	PIN, $\Phi 10 \times 20$	2
7	101029-0835	GASKET L CYLINDER HEAD COVER	1
8	101029-0836	O-RING, $\Phi 80 \times 2.65$	1
9	101029-0837	LEFT COVER CYLINDER HEAD	1
9	101029-0837-02	LEFT COVER CYLINDER HEAD	1
10	101029-0838	CYLINDER BLOCK ASSEMBLY	1
10	101029-1753	CYLINDER BLOCK ASSEMBLY	1
10	101029-1753-02	CYLINDER BLOCK ASSEMBLY	1
11	101029-0839	GASKET ASSY CYLINDER HEAD	1
11	101029-1745	GASKET ASSY CYLINDER HEAD	1
12	101029-0840	BOLT, M6 \times 113	2
13	101029-0841	GASKET CYLINDER BLOCK	1
13	101029-1751	GASKET CYLINDER BLOCK	1
14	101029-1585	WASHER, $\Phi 6.2 \times 1 \times \Phi 12$	2
15	101028-0282	NUT M8	4
16	101029-0934	WASHER, $\Phi 8.5 \times 2 \times \Phi 18$	4
17	101029-1680	INLET PIPE	1
18	101028-0301	BOLT, M6 \times 20	2
19	101028-0292	NUT, M6	2
20	101029-1704	CARBURETOR	1
21	101028-0301	BOLT, M6 \times 20	2

VALVE MECHANISM



No.	Code	Name	Qty.
1	101029-0843	ROCKER ARM ASSEMBLY VALVE	2
2	101028-0310	VALVE LOCKER	4
3	101029-0845	SPRING, SEAT	2
4	101029-1690	INNER SPRING, ASSY	2
5	101028-0314	SEAL VALVE STEM	2
6	101029-0848	OUTER VALVE SPRING, RETAINER	2
7	101029-0849	EXHAUST VALVE	1
7	101029-1749	EXHAUST VALVE	1
8	101029-0850	ROCKER SHAFT	2
9	101029-0851	GAMP SHAFT COMP	1
10	101029-0852	POSITION PLATE ROCKER SHAFT	1
11	101029-0853	BOLT, M6x16	3
12	101029-0854	INTAKE VALVE	1
13	101029-0855	TIMING DRIVEN SPROCKET	1
14	101028-0321	BOLT, M6x12	2
15	101029-0857	SPROCKET CHAIN	1
16	101029-1638	TENSION PLATE ASSY	1
17	101028-0324	WASHER, Φ8x1.5xΦ14	1
18	101028-0325	BOLT	1
19	101028-0313	GASKET TENSIONER	1
20	101028-0326	CHAIN TENSIONING WHEEL	1
20	101028-0326-02	CHAIN TENSIONING WHEEL	1
21	101028-0327	BOLT, M6x16	2
22	101028-0328	O-RING 9x1.8	1
23	101028-0329	BOLT M6x6	1
24	101028-0319	GUIDE PLATE CHAIN	1
25	101029-1654	ASSEMBLY CHAIN PROTECT PLATE	1

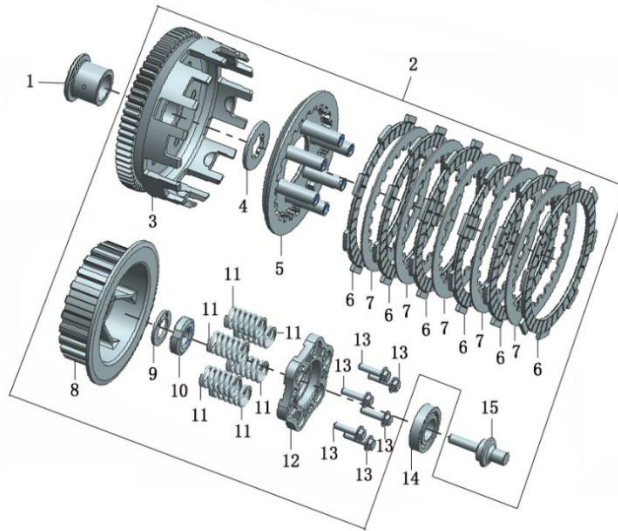
CRANKCASE COVER



No.	Code	Name	Qty.
1	101028-0335	BOLT, M6×40	9
2	101028-0359	BOLT, M6×28	3
3	101028-0360	BOLT, M6×50	4
4	101028-0335	BOLT, M6×40	3
5	101028-0301	BOLT, M6×20	1
6	101029-0972	BOLT, M6×70	1
7	101028-0359	BOLT, M6×28	2
8	101029-0931	BOLT, M6×65	1
9	101029-1725	CLUTCH MANIPULATE ARM COMBINATION	1
10	101028-0341	CLUTCH LEVER PIN	1
11	101028-0339	CLUTCH CONTROLLING ARM SPRING	1
12	101028-0340	OIL SEAL 12×22×5	1
13	101029-1726	HOLDER CLUTCH CABLE	1
14	101029-1669	OIL RULER ASSY	1
15	101028-0345	O-RING, Φ18×3	1
16	101029-1743	COVER COMP.RIGHT CRANKCASE	1
16	101029-1743-02	COVER COMP.RIGHT CRANKCASE	1
17	101029-1619	GASKET R.CRANKCASE COVER	1
18	101029-0878	DOWEL PIN, Φ8×14×Φ6.3	2
19	101029-1605	BAFFLE	1
20	101028-0425	BOLT, M6×12	2
21	101029-1618	GASKET L.CRANKCASE COVER	1
22	101028-0347	PIN, Φ10×14	2

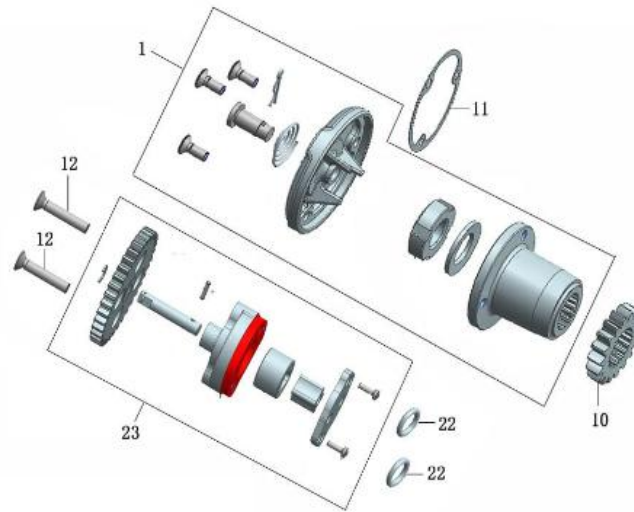
No.	Code	Name	Qty.
23	101028-0349	CAP SMALL VIEW HOLE	1
23	101028-0349-02	CAP SMALL VIEW HOLE	1
24	101028-0348	O-RING, Φ 13.2×2.65	1
25	101029-1719	FRONT PART, L.CRANKCASE COVER	1
25	101029-1719-02	FRONT PART, L.CRANKCASE COVER	1
26	101028-0356	O-RING, Φ 62×3	1
27	101029-1720	COVER REDUCTION GEAR	1
27	101029-1720-02	COVER REDUCTION GEAR	1
28	101029-1160	O-RING, Φ 22.5×3.55	1
29	101029-1739	CAP BIG VIEW HOLE	1
29	101029-1739-02	CAP BIG VIEW HOLE	1
30	101029-1727	BACK PART L.CRANKCASE COVER	1
30	101029-1727-02	BACK PART L.CRANKCASE COVER	1

CLUTCH ASSY



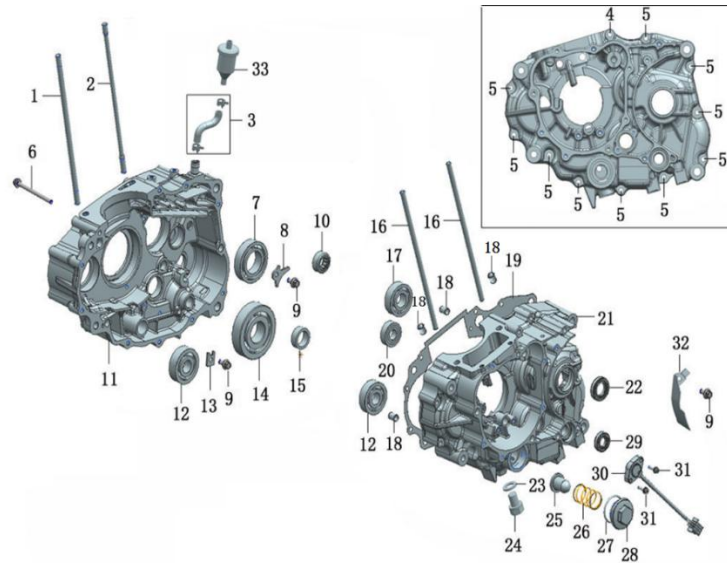
No.	Code	Name	Qty.
1	101029-1632	SLEEVE CLUTCH	1
2	101029-1631	CLUTCH ASSY	1
3	101045-0001	OUT CASE ASSEMBLY CLUTCH	1
4	101028-0379	WASHER	1
5	101028-0378	PRESSURE PLATE CLUTCH	1
6	101045-0002	DRIVE FRICTION DISK	6
7	101028-0377	OUTER FRICTION DISK A	5
8	101028-0375	CENTER SLEEVE CLUTCH	1
9	101028-0397	DISH WASHER, CLUTCH	1
10	101028-0398	NUT	1
11	101028-0374	SPRING, CLUTCH	6
12	101028-0372	END COVER CLUTCH	1
13	101028-0370	BOLT, M5×20	6
14	101028-0371	BEARING, 16003	1
15	101045-0003	PUSHING ROD CLUTCH	1

OIL PUMP/OIL FILTER



No.	Code	Name	Qty.
1	101029-1688	OIL FILTER COMP	1
10	101029-1643	DRIVE GEAR OIL PUMP	1
11	101029-0914	GASKET OIL FILTER	1
12	101029-1742	SCREW, M6×32	2
22	101029-0919	O-RING, $\Phi 9.4 \times 2.4$	2
23	101029-1634	OIL PUMP ASSY	1

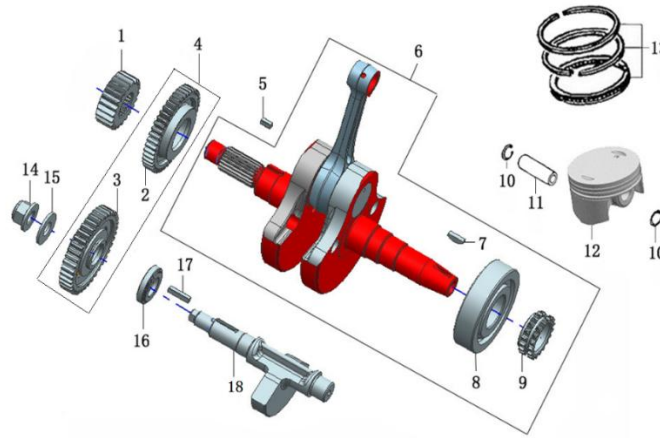
CRANKCASE



No.	Code	Name	Qty.
1	101029-0936	CYLINDER STUD BOLT A	1
2	101029-0935	CYLINDER STUD BOLT A	1
3	101029-1702	PIPE ASSY	1
4	101029-1718	BOLT, M6×85	1
5	101028-0360	BOLT, M6×50	10
6	101029-0931	BOLT, M6×65	1
7	101029-1614	BEARING, (6006×2/20_C3)	1
8	101029-1701	PRESSURE PLATE BEARING	1
9	101028-0425	BOLT, M6×12	3
10	101029-1610	NEEDLE BUSH, (NK15×27×12)	1
11	101029-1730	RIGHT CRANKCASE BLOCK	1
11	101029-1755	RIGHT CRANKCASE BLOCK	1
11	101029-1755-02	RIGHT CRANKCASE BLOCK	1
12	101029-1609	BEARING, (6303_C3)	2
12	101029-1744	BEARING, (6303/4PC3)	2
13	101029-1606	BAFFLE	1
14	101029-0981	BEARING, (TM63/28X1E2/P5)	1
15	101028-0411	NEEDLE BEARING, (HK21×28×10)	1
16	101029-0937	CYLINDER STUD BOLT B	2
17	101028-0412	BEARING, (6204_C3)	1
18	101028-0347	PIN, Φ10×14	4
19	101029-1642	GASKET INLET PIPE	1
19	101029-1756	PR300 CRANKCASE GASKET	1
20	101029-1608	BEARING, (6202Z_C3)	1

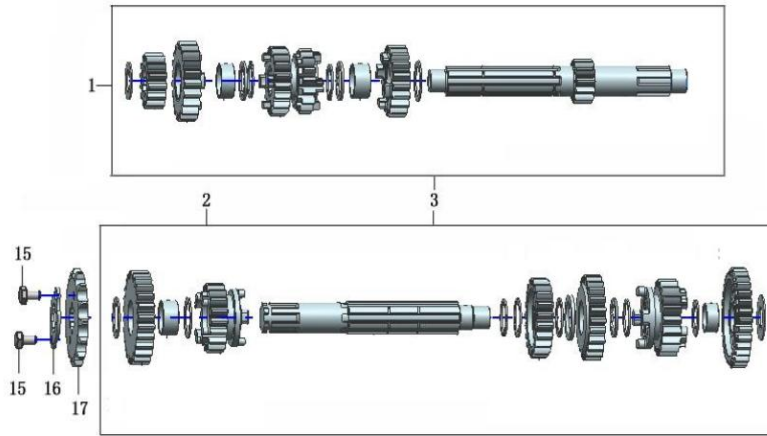
No.	Code	Name	Qty.
21	101029-1729	LEFT CRANKCASE BLOCK	1
21	101029-1754	LEFT CRANKCASE BLOCK	1
21	101029-1754-02	LEFT CRANKCASE BLOCK 6804	1
22	101028-0426	OIL SEAL 20×34×7	1
23	101028-0429	WASHER, $\Phi 12.1 \times 2 \times \Phi 20$	1
24	101028-0428	OIL DRAIN PLUG	1
25	101028-0417	STRAINER OIL FILTER	1
26	101028-0418	SPRING, OIL FILTER STRAINER	1
27	101029-0955	O-RING, $\Phi 35 \times 3$	1
28	101028-0419	COVER VALVE CHAMBER	1
29	101028-0420	OIL SEAL 14×28×7	1
30	101029-1736	GEARSHIFT SWITCH COMP	1
31	101028-0510	SCREW	2
32	101029-1691	POSITION PLATE	1
33	101029-1703	OIL AIR FILTER	1

CRANKSHAFT CONNECTING-ROD ASSY/PISTON



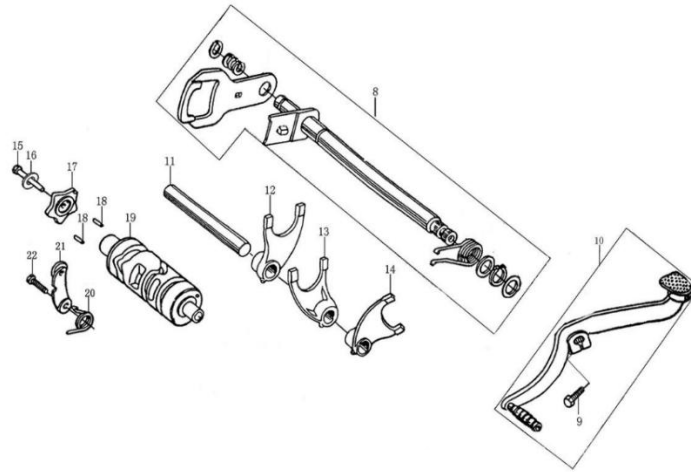
No.	Code	Name	Qty.
1	101029-1630	PRIMARY DRIVE GEAR	1
2	101029-1693	DRIVING GEAR	1
2	101029-1750	PR300	1
3	101029-1629	DRIVEN GEAR ASSY	1
4	101029-1692	DRIVE GEAR SET BALANCE SHAFT	1
5	101029-1212	TABULATE KEY	1
6	101029-1626	CRANKSHAFT CONNECTING-ROD ASSY	1
7	101028-0447	SEMICIRCULAR KEY	1
8	101029-0981	BEARING, (TM63/28X1E2/P5)	1
9	101029-0982	HUB DUMP CHAIN SPROCKET	1
10	101029-0978	CHECK RING PISTON PIN	2
11	101029-0979	PIN, PISTON	1
11	101029-1747	PIN, PISTON	1
12	101029-0980	PISTON	1
12	101029-1746	PISTON	1
13	101029-0977	PISTON RING, COMP	1
13	101029-1748	PISTON RING, COMP	1
14	101029-1699	NUT	1
15	101029-1591	WASHER, $\Phi 12.2 \times 2 \times \Phi 27$	1
16	101029-1628	BALANCE SHAFT COLLAR	1
17	101029-1625	TABULATE KEY	1
18	101029-1627	BALANCE SHAFT	1

TRANSMISSION MECHANISM



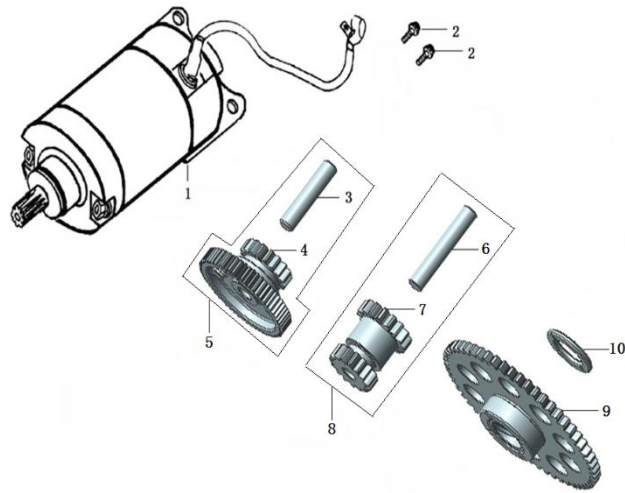
No.	Code	Name	Qty.
1	101029-1640	MAIN SHAFT TRANSMISSION	1
2	101029-1652	COUTERSHAFT TRANSMISSION	1
3	101029-1637	TRANSMISSION MAIN COUNTER SHAFT	1
15	101028-0462	BOLT, M6×10	2
16	101028-0463	FIXING PLATE DRIVE SPROCKET	1
17	101028-0464	DRIVE SPROCKET	1

GEARSHIFT MECHANISM



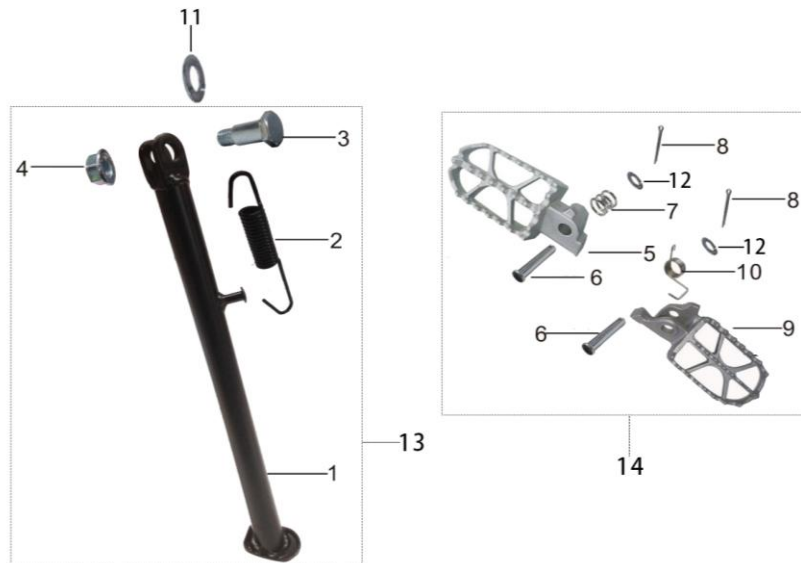
No.	Code	Name	Qty.
8	101029-1689	GEARSHIFT LEVER COMP	1
9	101028-0499	BOLT M6×20	1
10	101045-0004	GEARSHIFT SHAFT	1
11	101028-0501	SHAFT GEARSHIFT FORK	1
12	101029-1636	RIGHT FORK COUNTERSHAFT	1
13	101029-1635	CENTER FORK MAINSHAFT	1
14	101029-1639	LEFT FORK COUNTERSHAFT	1
15	101029-1714	BOLT, M6×22	1
16	101028-0506	WASHER, Φ6	1
17	101029-1641	STOPPING PLATE	1
18	101028-0508	PIN, Φ4×10	2
19	101029-1633	GEARSHIFT DRUM	1
20	101029-1696	SPRING, LOCATING PLATE	1
21	101029-1697	LOCATING PLATE ASSY	1
22	101028-0293	BOLT, M6×20	1

ELECTRIC STARTING MECHANISM



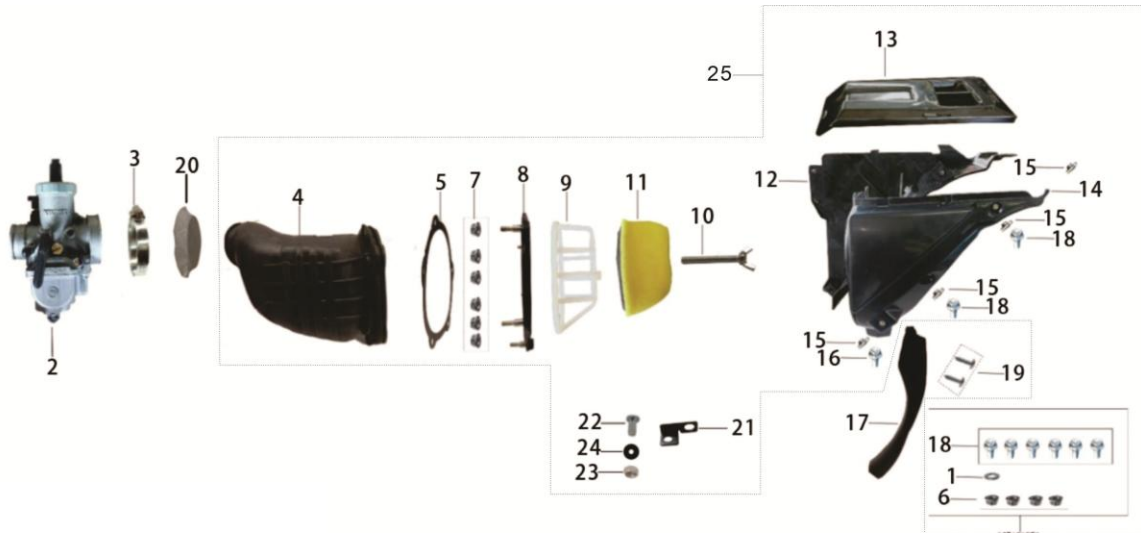
No.	Code	Name	Qty.
1	101029-1728	STARTING MOTOR ASSY	1
1	101029-1728-02	STARTING MOTOR ASSY	1
2	101028-0528	BOLT, M6×28	2
3	101045-0005	SHAFT REDUCTION	1
4	101045-0006	GEAR REDUCTION 1	1
5	101029-1616	GEAR REDUCTION 1	1
6	101045-0007	SHAFT REDUCTION	1
7	101045-0008	GEAR REDUCTION 2	1
8	101029-1617	GEAR REDUCTION 2	1
9	101029-1615	ATE GEAR ASSY	1
10	101029-1600	WASHER, Φ22×2.5×Φ34	1

Sidestand & Footpegs Assy



No.	Code	Name	Qty.
1	554000-0053	SIDE STAND	1
1	554000-0038	SIDE STAND	1
2	407002-0001	SIDE STAND SPRING	1
3	903020-0002	STEP BOLT- M10*35*1.5 S17	1
3	903020-0002-03	STEP BOLT- M10*35*1.5 S17	1
4	903007-0007	FLANGE LOCK NUT-M10*1.5	1
4	903007-0007-03	FLANGE LOCK NUT-M10*1.5	1
5	506003-0032	RIGHT FOOTPEG ASSY.	1
6	904001-0005	HINGE PIN	2
7	407001-0013	STRONG SPRING	1
8	904002-0002	COTTER PIN	2
8	904002-0002-03	COTTER PIN	2
9	506003-0030	LEFT FOOTPEG ASSY.	1
10	407001-0012	LEFT FOOTPEG SPRING	1
11	903002-0011	FLAT WASHER Φ 13*20*1.5	1
11	903002-0011-02	FLAT WASHER Φ 13*20*1.5	1
12	903002-0007	FLAT WASHER Φ 10*16*1.5	2
12	903002-0007-02	FLAT WASHER Φ 10*16*1.5	2
13	C90002-0157	STRAIGHT SIDE STAND ASSEMBLY	1
14	C90002-0031-02	LEFT AND RIGHT FOOTPEG ASSEMBLY	1

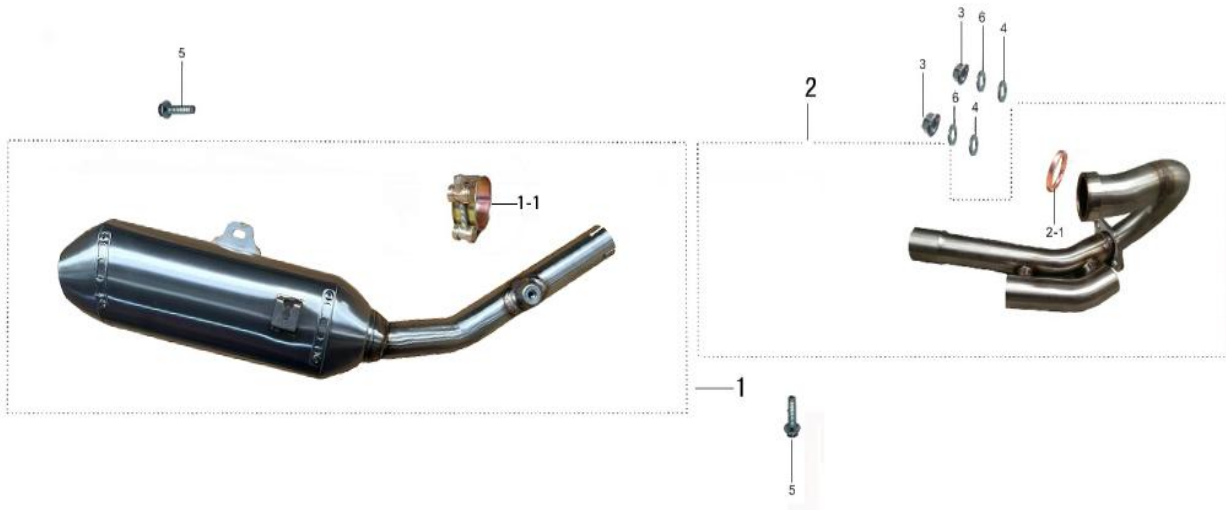
Carburetor and Air Filter Assy



No.	Code	Name	Qty.
1	903002-0002	FLAT WASHER-Φ6*18*1.5	1
1	903002-0002-03	FLAT WASHER-Φ6*18*1.5	1
2	102000-0087-02	CARBURETOR	1
3	906001-0004	HOOP	1
4	105003-0015	AIR INLET RUBBER CONNECTOR	1
4	105003-0015-02	AIR INLET RUBBER CONNECTOR	1
5	105004-0007	AIR FILTER RING	1
6	903006-0002	FLANGE NUT-M6	5
6	903006-0002-03	FLANGE NUT-M6	5
7	903007-0001	FLANGE LOCK NUT-M5	6
7	903007-0001-03	FLANGE LOCK NUT-M5	6
8	105004-0008	AIR FILTER ROUND CONNECTOR	1
8	105004-0008-02	AIR FILTER ROUND CONNECTOR	1
9	105004-0009	SPONGE SPROCKET	1
10	903020-0008	BUTTERFLY SHAPE BOLT-M6*75	1
10	903020-0059	BUTTERFLY SHAPE BOLT-M6*65	1
11	105002-0011	SPONGE	1
11	105002-0020	SPONGE	1
12	105001-0007	RIGHT AIR FILTER COVER	1
12	105001-0007-02	RIGHT AIR FILTER COVER	1
12	105001-0007-03	RIGHT AIR FILTER COVER	1
12	105001-0007-04	RIGHT AIR FILTER COVER	1
13	105001-0008	UPPER AIR FILTER COVER	1
13	105001-0008-02	UPPER AIR FILTER COVER	1

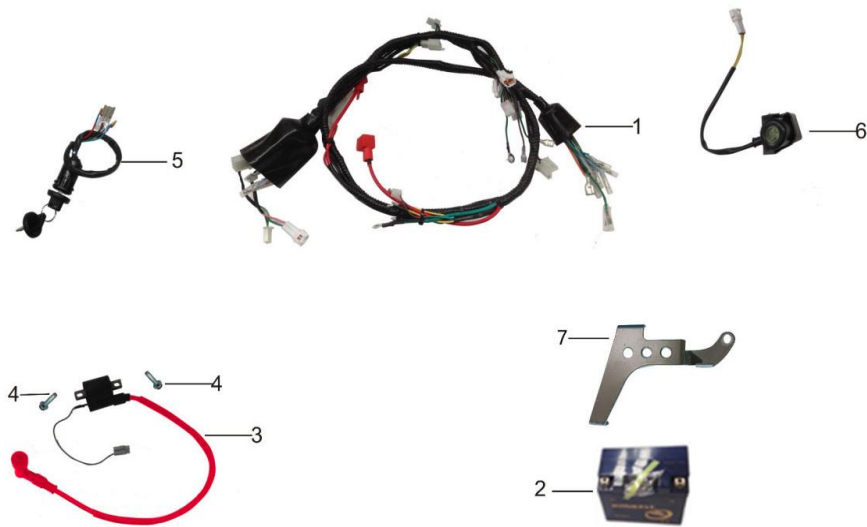
No.	Code	Name	Qty.
14	105001-0006	LEFT AIR FILTER COVER	1
14	105001-0006-02	LEFT AIR FILTER COVER	1
15	903008-0019	NUT-M6 11*17.2*1.0	3
15	903008-0019-02	NUT-M6 11*17.2*1.0	3
16	903018-0004	FLANGE BOLT-M6*16	1
16	903018-0004-03	FLANGE BOLT-M6*16	1
17	801010-0010	SMALL MUD COVER	1
18	903018-0003	FLANGE BOLT-M6*12	8
18	903018-0003-03	FLANGE BOLT-M6*12	8
19	903010-0006	SCREW-ST4.8*12	2
19	903010-0006-03	SCREW-ST4.8*12	2
20	102004-0009	CARBURETOR FIRE PROOF SHIELD	1
21	105004-0015	AIR FILTER COVER CONNECTION BRACKET	1
22	903009-0010	SCREW-M6*12	1
22	903009-0010-03	SCREW-M6*12	1
23	903005-0004	NUT-M6	1
23	903005-0004-03	NUT-M6	1
24	908003-0002	RUBBER FLAT WASHER Φ 5.5*14.5*2	1
25	C90002-0177	AIR FILTER ASSY ASSEMBLY	1

Muffler Assy



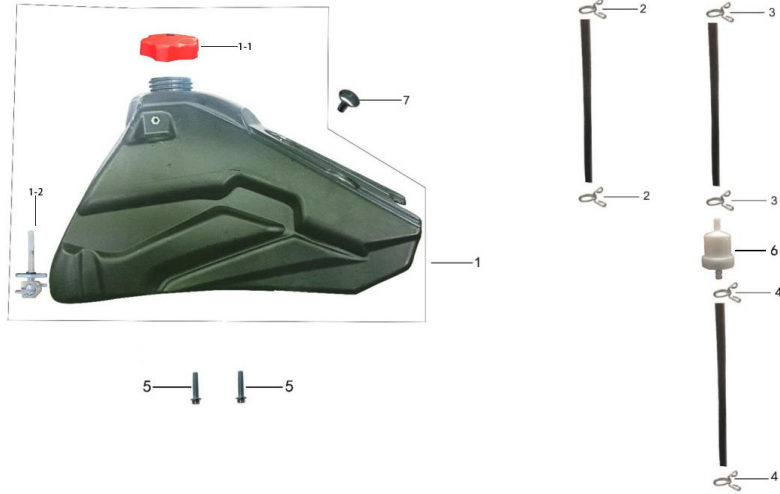
No.	Code	Name	Qty.
1	106002-0029-02	MUFFLER	1
1	106002-0029-05	MUFFLER	1
1-1	106004-0001	HOOP	1
2	106001-0080	EXHAUST PIPE	1
2-1	106003-0001	SEAL GASKET	1
3	903007-0005	FLANGE LOCK NUT-M8	2
4	903002-0004	FLAT WASHER-Φ8*16*1.5	2
4	903002-0004-03	FLAT WASHER-Φ8*16*1.5	2
5	903019-0012	FLANGE BOLT-M8*16	2
5	903019-0012-03	FLANGE BOLT-M8*16	2
6	903001-0004	SPRING WASHER-Φ8*13*2	2
6	903001-0003-02	SPRING WASHER-Φ8*13*2	2

Electric Component Assy



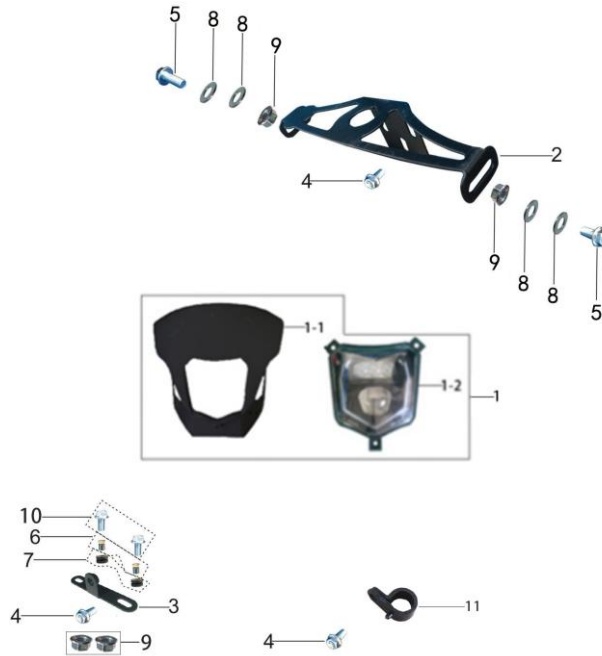
No.	Code	Name	Qty.
1	309001-0160	MAIN CABLE	1
1	309001-0160-03	MAIN CABLE	1
1	309001-0160-04	MAIN CABLE	1
2	312001-0046	LITHIUM BATTERY	1
2	312001-0027	BATTERY	1
2	312001-0027-02	BATTERY	1
3	306001-0011-02	IGNITION COIL	1
4	903018-0005	FLANGE BOLT-M6*20	2
4	903018-0005-03	FLANGE BOLT-M6*20	2
5	314001-0002-03	ELECTRIC LOCK	1
6	301001-0005	RELAY	1
6	301001-0001	RELAY	1
7	315012-0012	BATTERY FIX BRACKET	1
7	315012-0029	BATTERY FIX BRACKET	1

Fuel Tank Assy



No.	Code	Name	Qty.
1	805001-0021-02	FUEL TANK	1
1	805001-0021-03	FUEL TANK ASSY	1
1-1	805003-0007-02	PLASTIC FUEL TANK CAP	1
1-2	805004-0001	FUEL TANK SWITCH	1
1-2	805004-0032	FUEL TANK SWITCH	1
2	906002-0001	PIPE CLIP	2
3	906002-0002	PIPE CLIP	2
4	906002-0006	PIPE CLIP	2
5	903018-0008	FLANGE BOLT-M6*40	2
5	903018-0008-03	FLANGE BOLT-M6*40	2
6	108001-0002	FUEL FILTER	1
7	903012-0006	SCREW-TM6*12	1
7	903012-0006-03	SCREW-TM6*12	1

Headlight Assy



No.	Code	Name	Qty.
1	308001-0035-02	HEADLIGHT ASSY.	1
1-1	308006-0023-02	HEADLIGHT ASSY.	1
1-2	308005-0010	HEAD LIGHT BULB	1
2	315008-0007	HEAD LIGHT UPPER BRACKET	1
3	315008-0024	HEAD LIGHT LOWER BRACKET	1
3	315008-0024-02	HEAD LIGHT LOWER BRACKET	1
4	903018-0003	FLANGE BOLT-M6*12	3
4	903018-0003-03	FLANGE BOLT-M6*12	3
5	903018-0004	FLANGE BOLT-M6*16	2
5	903018-0004-03	FLANGE BOLT-M6*16	2
6	902001-0001	FLAT BUSHING-Φ6.2*8.2*H7	2
7	908007-0010	RUBBER RING-Φ8*11+Φ18*H7	2
8	903002-0002	FLAT WASHER-Φ6*18*1.5	4
8	903002-0002-03	FLAT WASHER-Φ6*18*1.5	4
9	903006-0002	FLANGE NUT-M6	4
9	903006-0002-03	FLANGE NUT-M6	4
10	903018-0005	BOLT-M6*20	2
10	903018-0005-03	BOLT-M6*20	2
11	801010-0022	WIRE CLIP	1

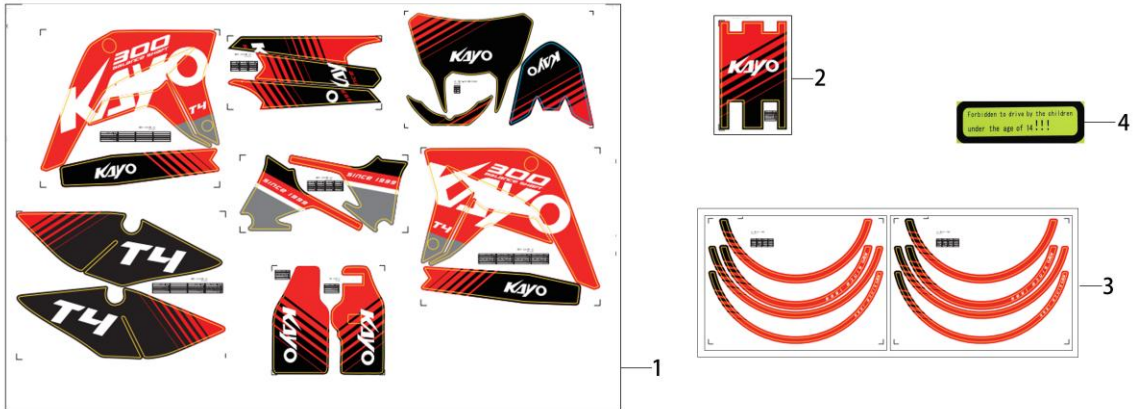
Plastic Assy



No.	Code	Name	Qty.
1	903018-0003	FLANGE BOLT-M6*12	4
1	903018-0003-03	FLANGE BOLT-M6*12	4
2	801010-0012-02	FRONT FENDER	1
3	801010-0015-02	FRONT RIGHT COVER	1
4	801010-0016-02	FRONT RIGHT DECORATING PALTE	1
5	801010-0013-02	FRONT LEFT COVER	1
6	801010-0014-02	FRONT LEFT DECORATING PLATE	1
7	801010-0017-02	REAR LEFT UPPER COVER	1
8	801010-0018-02	REAR LEFT LOWER COVER	1
9	801010-0019-02	REAR RIGHT UPPER COVER	1
10	801010-0020-02	REAR RIGHT LOWER COVER	1
11	801010-0021-02	REAR MIDDLE COVER	1
12	903018-0004	FLANGE BOLT-M6*16	2
12	903018-0004-03	FLANGE BOLT-M6*16	2
13	701000-0060	SEAT	1
14	903012-0006	SCREW-TM6*12	7
14	903012-0006-03	SCREW-TM6*12	7
15	903012-0011	SCREW- TM6*10	4
15	903012-0011-03	SCREW- TM6*10	4
16	903010-0004	TAPPING SCREW-ST4.2*12	4
16	903010-0004-03	TAPPING SCREW-ST4.2*12	4
17	903019-0013	BOLT-M8*20	2
17	903019-0013-03	BOLT-M8*20	2

18	903002-0002	FLAT WASHER-Φ6*18*1.5	6
18	903002-0002-03	FLAT WASHER-Φ6*18*1.5	6
19	903002-0018	FLAT WASHER- Φ8*20*2	2
19	903002-0018-02	FLAT WASHER- Φ8*20*2	2
20	903002-0001	FLAT WASHER-Φ6*12*1.5	4
20	903002-0001-03	FLAT WASHER-Φ6*12*1.5	4
21	908003-0002	FLAT WASHER-Φ5.5*14.5*2	1
	C90002-0059	PLASTIC PARTS	1

Sticker Assy



No.	Code	Name	Qty.
1	802010-0171	STICKER	1
1	802010-0171-02	STICKER	1
2	802010-0172	SHEATH BUSH	1
3	802010-0168	WHEEL HUB STICKER	1
4	802013-0007	WARNING STICKER	1