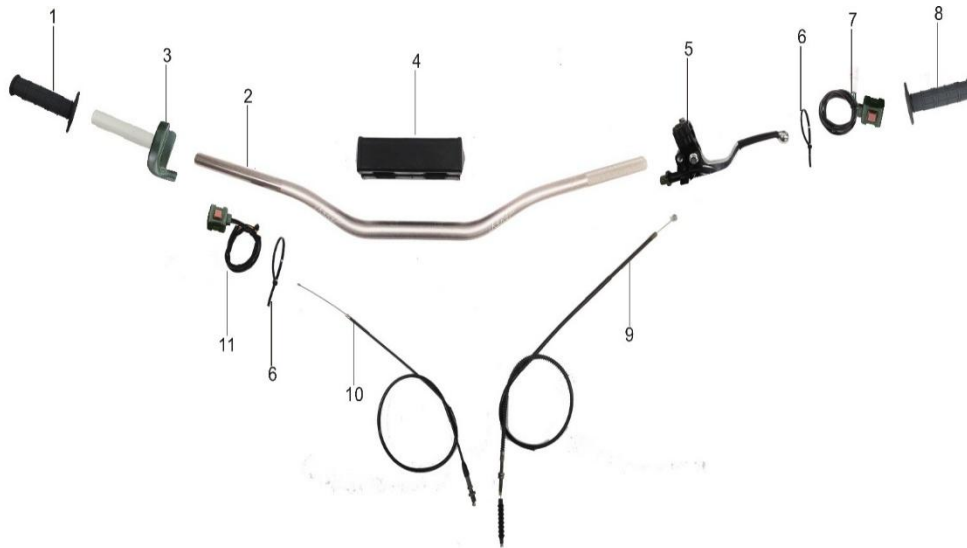


T4 250 Parts Catalog

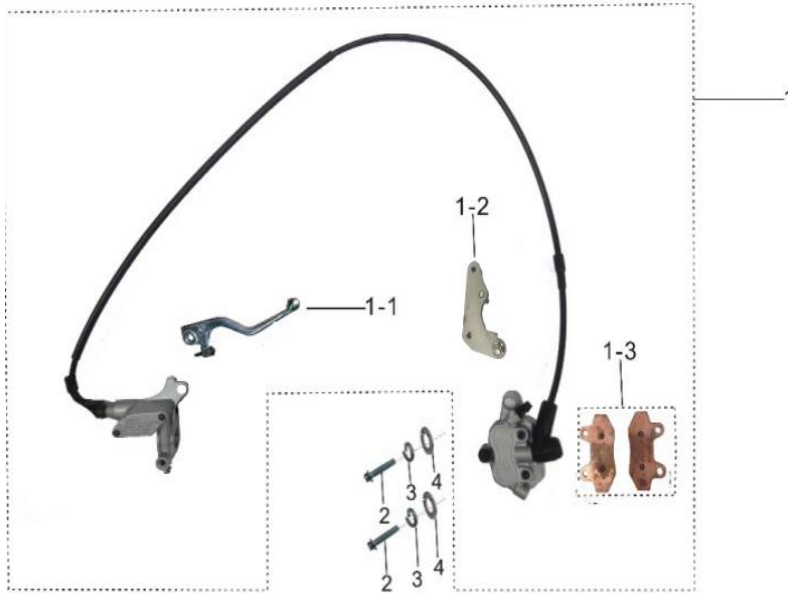


Handlebar Assy



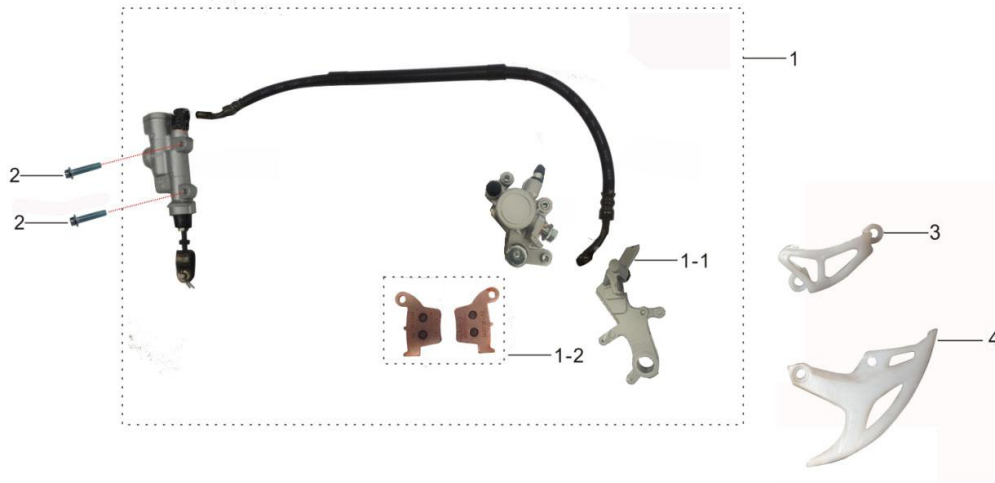
| No. | Code | Name | Qty. |
|-----|----------------|----------------------|------|
| 1 | 602006-0019 | RIGHT BAR GRIP | 1 |
| 2 | 602002-0022 | ALUMINIUM HANDLE BAR | 1 |
| 2 | 602002-0027 | ALUMINIUM HANDLE BAR | 1 |
| 3 | 602011-0009 | THROTTLE PERCH | 1 |
| 4 | 602017-0005 | HANDLE BAR PAD | 1 |
| 5 | 602007-0019-02 | CLUTCH LEVER ASSY. | 1 |
| 5 | 602007-0019-04 | CLUTCH LEVER ASSY. | 1 |
| 6 | 906003-0002 | CABLE TIES | 1 |
| 7 | 313003-0014 | STOP SWITCH | 1 |
| 8 | 602006-0018 | LEFT BAR GRIP | 1 |
| 9 | 602013-0020 | CLUTCH CABLE | 1 |
| 9 | 602013-0020-02 | CLUTCH CABLE | 1 |
| 9 | 602013-0020-03 | CLUTCH CABLE | 1 |
| 10 | 602014-0019 | THROTTLE CABLE | 1 |
| 10 | 602014-0019-02 | THROTTLE CABLE | 1 |
| 11 | 313002-0006 | START SWITCH | 1 |

Front Brake Assy



| No. | Code | Name | Qty. |
|-----|----------------|-----------------------|------|
| 1 | 404000-0065 | FRONT BRAKE ASSY. | 1 |
| 1-1 | 404002-0005 | BRAKE LEVER | 1 |
| 1-2 | 404008-0008 | FRONT BRAKE BRACKET | 1 |
| 1-3 | 404007-0010 | FRONT BRAKE PAD | 1 |
| 2 | 903018-0013 | FLANGE BOLT-M8*45 | 2 |
| 2 | 903018-0013-03 | FLANGE BOLT-M8*45 | 2 |
| 3 | 903001-0004 | SPRING WASHER-Φ8*13*2 | 2 |
| 3 | 903001-0003-02 | SPRING WASHER-Φ8*13*2 | 2 |
| 4 | 903002-0004 | FLAT WASHER-Φ8*16*1.5 | 2 |
| 4 | 903002-0004-03 | FLAT WASHER-Φ8*16*1.5 | 2 |

Rear Brake Assy



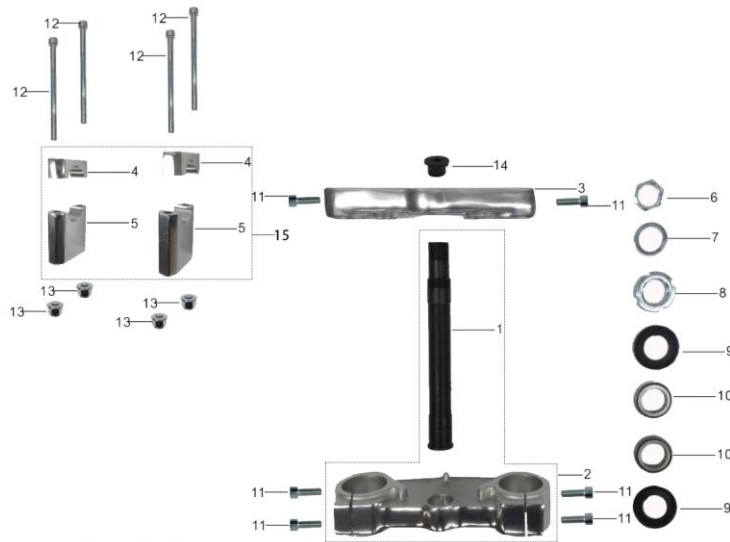
| No. | Code | Name | Qty. |
|-----|----------------|-----------------------|------|
| 1 | 405000-0048 | REAR BRAKE ASSY. | 1 |
| 1-1 | 405009-0006 | REAR BRAKE BRACKET | 1 |
| 1-2 | 405008-0010 | REAR BRAKE PAD | 1 |
| 2 | 903015-0002 | SCREW-M6*16 | 2 |
| 2 | 903020-0034 | SCREW-M6*20 | 2 |
| 2 | 903020-0034-02 | SCREW-M6*20 | 2 |
| 3 | 405011-0001 | REAR BRAKE PUMP COVER | 1 |
| 4 | 405011-0002 | REAR BRAKE COVER | 1 |

Front Shock Assy



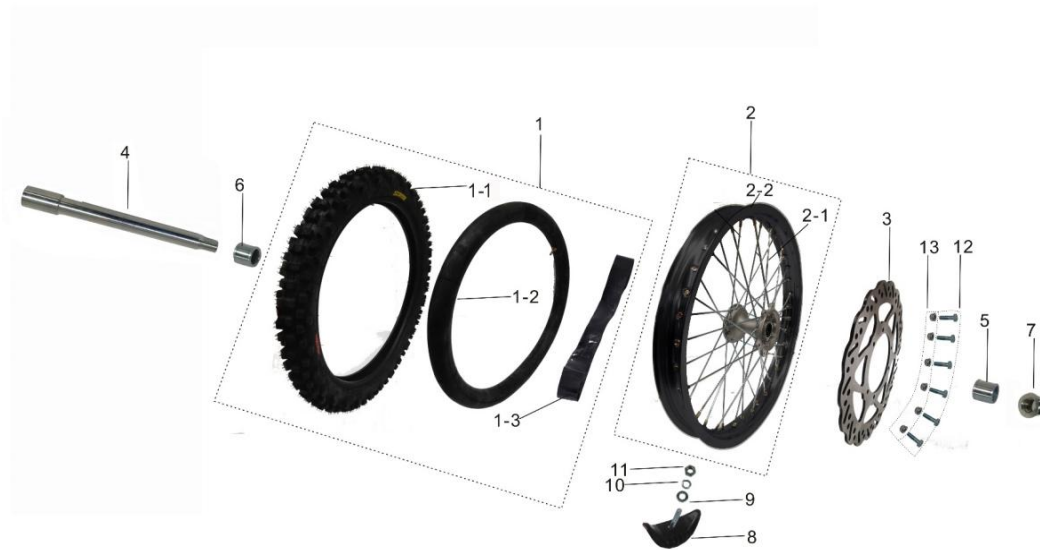
| No. | Code | Name | Qty. |
|-----|-------------|-------------------------|------|
| 1 | 501000-0052 | FRONT RIGHT SHOCK | 1 |
| 1-1 | 501001-0008 | FRONT RIGHT SHOCK GUARD | 1 |
| 1-2 | 903020-0047 | BOLT-M6*8+Φ10*4 | 6 |
| 2 | 501000-0051 | FRONT LEFT SHOCK | 1 |
| 2-1 | 501001-0007 | FRONT LEFT SHOCK GUARD | 1 |

Clamps Assy



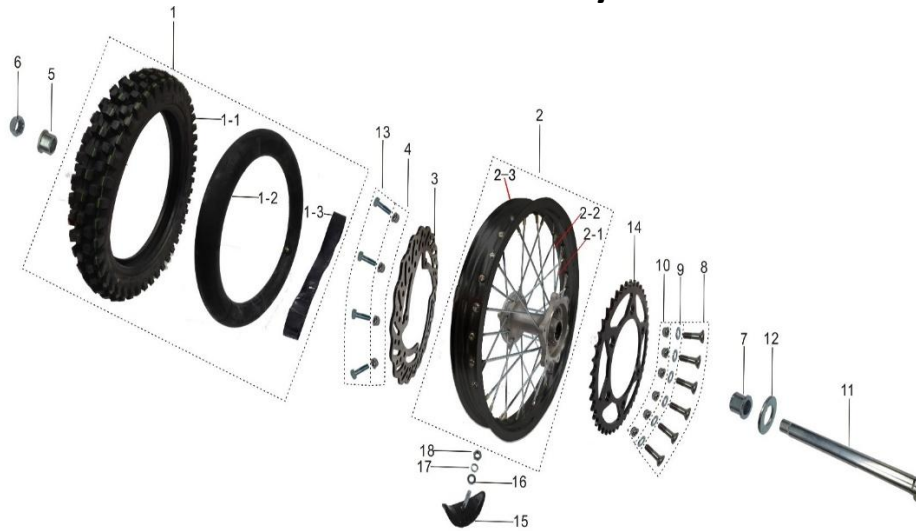
| No. | Code | Name | Qty. |
|-----|----------------|---|------|
| 1 | 601006-0015 | STEERING COLUMN | 1 |
| 1 | 601006-0015-2 | STEERING COLUMN | 1 |
| 2 | 601002-0020 | LOWER CLAMP | 1 |
| 2 | 601002-0017 | LOWER CLAMP ASSY | 1 |
| 3 | 601001-0007-02 | UPPER CLAMP | 1 |
| 4 | 601003-0002-03 | UPPER RAISERS | 2 |
| 5 | 601004-0003-03 | LOWER RAISERS | 2 |
| 6 | 601005-0002 | NUT-M26*1 | 1 |
| 7 | 601005-0014 | WASHER-Φ27*40*1.5 | 1 |
| 8 | 601005-0006 | LOCK NUT-M30*1*H12 | 1 |
| 9 | 601005-0010 | DUST SEAL | 2 |
| 10 | 907002-0008 | BEARING | 2 |
| 11 | 903013-0020 | SCREW-M8*25 | 6 |
| 11 | 903013-0020-05 | SCREW-M8*25 | 6 |
| 12 | 903013-0035 | SCREW-M8*120 | 4 |
| 13 | 903007-0005 | FLANGE LOCK NUT | 4 |
| 14 | 908004-0004 | STEERING PLUG | 1 |
| 15 | C90002-0007 | UPPER AND LOWER CLAMPING BLOCK ASSEMBLY | 1 |

Front Wheel Assy



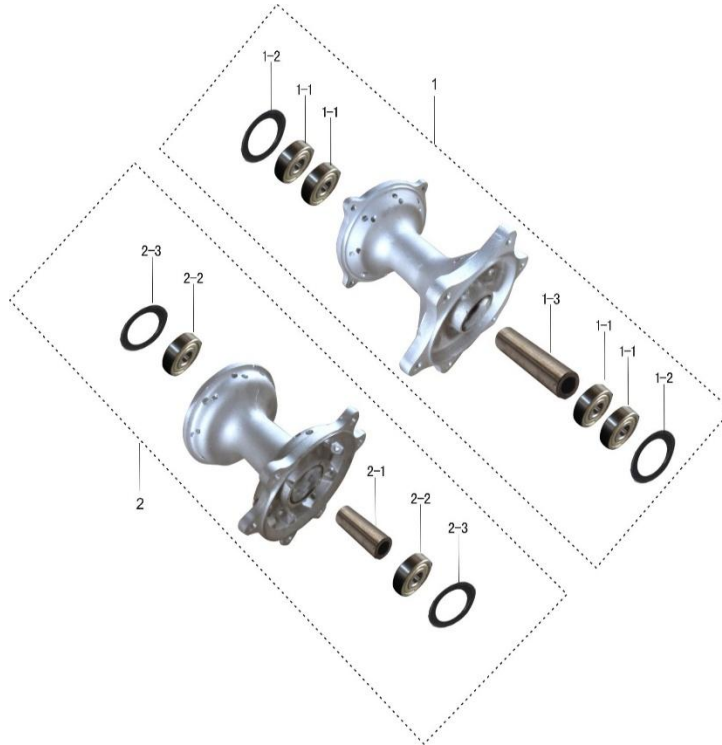
| No. | Code | Name | Qty. |
|-----|----------------|------------------------------|------|
| 1 | 401005-0013 | FRONT TYRE & INNER TUBE ASSY | 1 |
| 1-1 | 401006-0011 | FRONT TYRE | 1 |
| 1-2 | 401007-0006 | FRONT INNER TUBE | 1 |
| 1-3 | 401008-0007 | INNER TUBE BAND | 1 |
| 2 | 401000-0043 | FRONT RIM ASSY. | 1 |
| 2-1 | 401004-0013 | SPOKE ASSY. | 36 |
| 2-2 | 401001-0010 | ALUMINIUM RIM | 1 |
| 3 | 404001-0012 | FRONT BRAKE DISC | 1 |
| 4 | 901003-0001 | AXLE | 1 |
| 5 | 902003-0001 | FRONT LEFT CONCAVE BUSH | 1 |
| 6 | 902003-0003 | FRONT RIGHT CONCAVE BUSH | 1 |
| 7 | 903007-0010 | FLANGE LOCK NUT-M16*1.5 | 1 |
| 7 | 903007-0010-02 | FLANGE LOCK NUT-M16*1.5 | 1 |
| 8 | 401010-0004 | RIM LOCK | 1 |
| 9 | 903002-0004 | FLAT WASHER-Φ8*16*1.5 | 1 |
| 9 | 903002-0004-03 | FLAT WASHER-Φ8*16*1.5 | 1 |
| 10 | 903001-0004 | SPRING WASHER-Φ8*13*2 | 1 |
| 10 | 903001-0003-02 | SPRING WASHER-Φ8*13*2 | 1 |
| 11 | 903005-0006 | NUT-M8 | 1 |
| 11 | 903005-0006-02 | NUT-M8 | 1 |
| 12 | 903017-0001 | BOLT-M6*20 | 6 |
| 12 | 903017-0001-02 | BOLT-M6*20 | 6 |
| 13 | 903007-0003 | FLANGE LOCK NUT- M6 | 6 |
| | C90002-0112 | FRONT WHEEL ASSY | 1 |

Rear Wheel Assy



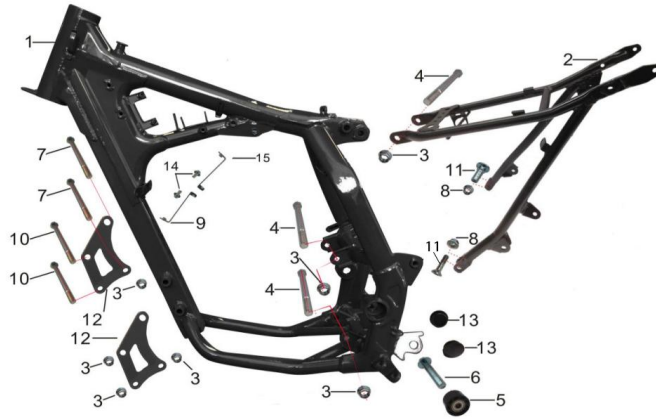
| No. | Code | Name | Qty. |
|-----|----------------|-----------------------------|------|
| 1 | 402005-0015 | REAR TYRE & INNER TUBE ASSY | 1 |
| 1.1 | 402006-0008 | REAR TYRE | 1 |
| 1.2 | 402007-0005 | REAR INNER TUBE | 1 |
| 1.3 | 401008-0005 | INNER TUBE BAND | 1 |
| 2 | 402000-0049 | REAR RIM | 1 |
| 2.1 | 402004-0012 | SPOKE ASSY. | 16 |
| 2.2 | 402004-0013 | SPOKE ASSY. | 16 |
| 2.3 | 402001-0016 | ALUMINIUM RIM | 1 |
| 3 | 405001-0006 | REAR BRAKE DISC | 1 |
| 4 | 903007-0003 | FLANGE LOCK NUT-M6 | 4 |
| 5 | 902003-0004 | REAR RIGHT CONCAVE BUSH | 1 |
| 6 | 903008-0008 | LOCK NUT-M22*1.5 | 1 |
| 7 | 902003-0002 | REAR LEFT CONCAVE BUSH | 1 |
| 8 | 903014-0003 | BOLT-M8*31 | 6 |
| 9 | 903002-0004 | FLAT WASHER-Φ8*16*1.5 | 6 |
| 9 | 903002-0004-03 | FLAT WASHER-Φ8*16*1.5 | 6 |
| 10 | 903008-0007 | LOCK NUT-M8 | 6 |
| 10 | 903008-0007-02 | LOCK NUT-M8 | 6 |
| 11 | 901003-0002 | AXLE | 1 |
| 11 | 901003-0016 | AXLE | 1 |
| 12 | 601005-0012 | WASHER-Φ23*36*1.5 | 1 |
| 13 | 903017-0001 | BOLT-M6*20 | 4 |
| 13 | 903017-0001-02 | BOLT-M6*20 | 4 |
| 14 | 205001-0021 | STEEL REAR SPROCKET | 1 |
| 15 | 401010-0005 | RIM LOCK | 1 |
| 16 | 903002-0004 | FLAT WASHER-Φ8*16*1.5 | 1 |
| 17 | 903001-0004 | SPRING WASHER-Φ8*13*2 | 1 |
| 18 | 903005-0007 | NUT-M8 | 1 |
| | C90002-0113 | REAR WHEEL ASSY | 1 |

Front and Rear Wheel Hub Assy



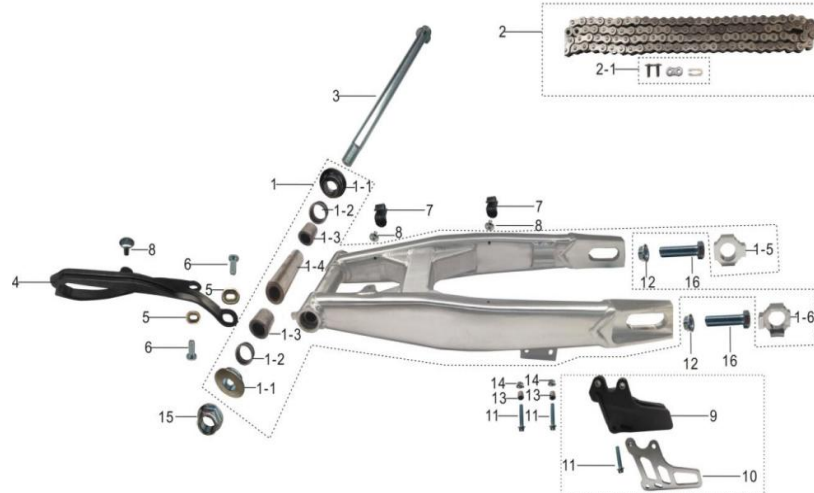
| No. | Code | Name | Qty. |
|-----|----------------|--------------------|------|
| 1 | 402003-0013 | REAR HUB ASSY. | 1 |
| 1-1 | 907001-0023 | REAR HUB BEARING | 4 |
| 1-2 | 908001-0016 | REAR HUB OIL SEAL | 2 |
| 1-3 | 902001-0086 | REAR HUB BUSH | 1 |
| 2 | 401003-0005-02 | FRONT HUB ASSY. | 1 |
| 2-1 | 902001-0084 | FRONT HUB BUSH | 1 |
| 2-2 | 907001-0022 | FRONT HUB BEARING | 2 |
| 2-3 | 908001-0015 | FRONT HUB OIL SEAL | 2 |

Frame Assy



| No. | Code | Name | Qty. |
|-----|------------------|----------------------------|------|
| 1 | 551000-0097-01 | FRAME ASSY. | 1 |
| 1 | 551000-0097-0202 | FRAME ASSY. | 1 |
| 2 | 552000-0030-01 | SUB FRAME ASSY. | 1 |
| 2 | 552000-0038-01 | SUB FRAME ASSY. | 1 |
| 3 | 903007-0006 | FLANGE BOLT-M10*1.25 | 7 |
| 3 | 903007-0006-02 | FLANGE BOLT-M10*1.25 | 7 |
| 4 | 903017-0017 | BOLT-M10*110*1.25 | 3 |
| 4 | 903017-0017-02 | BOLT-M10*110*1.25 | 3 |
| 5 | 203004-0016 | CHAIN ROLLER | 1 |
| 6 | 903018-0012 | FLANGE BOLT-M8*40 | 1 |
| 6 | 903018-0012-03 | FLANGE BOLT-M8*40 | 1 |
| 7 | 903018-0020 | FLANGE BOLT-M8*90 | 2 |
| 7 | 903018-0020-02 | FLANGE BOLT-M8*90 | 2 |
| 8 | 903007-0005 | FLANGE LOCK NUT-M8 | 2 |
| 8 | 903006-0003-03 | FLANGE LOCK NUT-M8 | 2 |
| 9 | 555000-0146 | LEFT FRONT FENDER BRACKET | 1 |
| 10 | 903019-0023 | FLANGE BOLT-M10*90*1.25 | 2 |
| 11 | 903016-0003 | SCREW-M8*26 | 2 |
| 11 | 903016-0003-03 | SCREW-M8*26 | 2 |
| 11 | 903020-0057 | SCREW-M8*25 | 2 |
| 12 | 555000-0104 | ENGINE STATOR AT FRONT | 2 |
| 13 | 908004-0008 | SWING ARM PLUG | 2 |
| 14 | 903018-0003 | FLANGE BOLT-M6*12 | 2 |
| 14 | 903018-0003-03 | FLANGE BOLT-M6*12 | 2 |
| 15 | 555000-0147 | RIGHT FRONT FENDER BRACKET | 1 |

Swingarm Kit



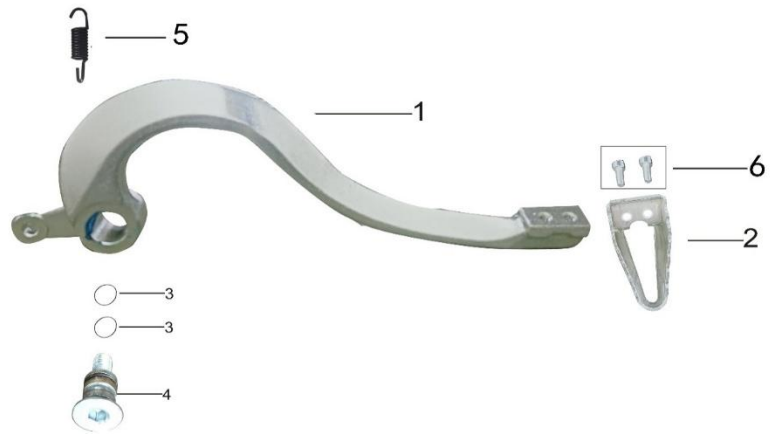
| No. | Code | Name | Qty. |
|-----|----------------|---------------------------|------|
| 1 | 553000-0035 | ALUMINIUM SWING ARM ASSY. | 1 |
| 2 | 902002-0049 | STEP BUSH | 2 |
| 3 | 907002-0005 | BEARING | 2 |
| 4 | 902001-0106 | BUSH | 2 |
| 5 | 902001-0105 | BUSH | 1 |
| 6 | 203003-0006 | RIGHT CHAIN ADJUSTER | 1 |
| 7 | 203003-0005 | LEFT CHAIN ADJUSTER | 1 |
| 8 | 203000-0073 | CHAIN | 1 |
| 9 | 203001-0006 | CHAIN LINKAGE | 1 |
| 10 | 901001-0038 | FLANGE AXLE | 1 |
| 11 | 203004-0018 | CHAIN SLIDER | 1 |
| 12 | 903003-0006 | OVAL GASKET | 2 |
| 13 | 903009-0010 | SCREW- M6*12 | 2 |
| 14 | 903009-0010-03 | SCREW- M6*12 | 2 |
| 15 | 405010-0001 | REAR BRAKE OIL PIPE CLIP | 2 |
| 16 | 903012-0006 | SCREW-TM6*12 | 3 |
| 17 | 903012-0006-03 | SCREW-TM6*12 | 3 |
| 18 | 203004-0001 | CHAIN GUARD PLASTIC | 1 |
| 19 | 203004-0002 | CHAIN GUARD SLICE | 1 |
| 20 | 903018-0008 | FLANGE BOLT-M6*40 | 3 |
| 21 | 903018-0008-03 | FLANGE BOLT-M6*40 | 3 |
| 22 | 903006-0004 | FLANGE NUT-M10*1.25 | 2 |
| 23 | 903006-0004-02 | FLANGE NUT-M10*1.25 | 2 |
| 24 | 903002-0002 | FLAT WASHER-Φ6*18*1.5 | 2 |
| 25 | 903002-0002-03 | FLAT WASHER-Φ6*18*1.5 | 2 |
| 26 | 903007-0003 | FLANGE LOCK NUT- M6 | 2 |
| 27 | 903007-0011 | FLANGE LOCK NUT-M16*1.5 | 1 |
| 28 | 903007-0011-02 | FLANGE LOCK NUT-M16*1.5 | 1 |
| 29 | 903017-0014 | BOLT-M10*40*1.25 | 2 |
| 30 | 903017-0014-02 | BOLT-M10*40*1.25 | 2 |

Rear Shock Absorber Assy



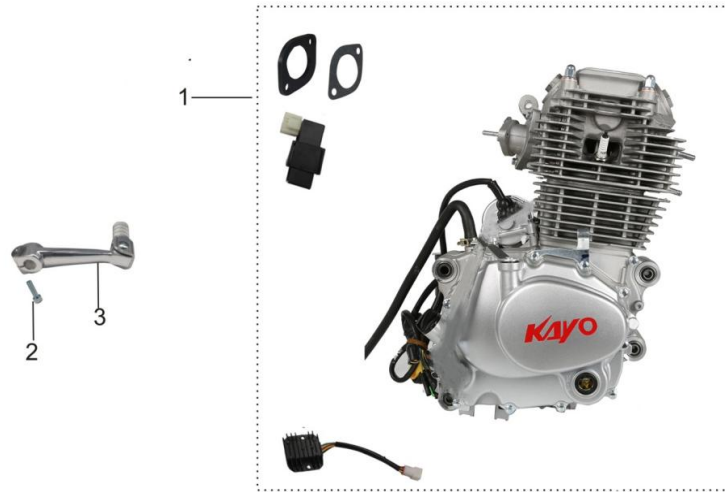
| No. | Code | Name | Qty. |
|-----|----------------|-----------------------------------|------|
| 1 | 502000-0043-02 | REAR SHOCK ASSY. | 1 |
| 2 | 504000-0002 | U-SHAPED LINKAGE | 1 |
| 3 | 503000-0001 | TRIANGLE LINKAGE | 1 |
| 4 | 903017-0016 | BOLT-M10*85*1.25 | 1 |
| 4 | 903017-0016-02 | BOLT-M10*85*1.25 | 1 |
| 5 | 903020-0013 | OVAL HEAD BOLT-M10*42*1.25+Φ10*28 | 1 |
| 5 | 903020-0013-02 | OVAL HEAD BOLT-M10*42*1.25+Φ10*28 | 1 |
| 6 | 903019-0023 | FLANGE BOLT-M10*90*1.25 | 1 |
| 7 | 903007-0006 | FLANGE LOCK NUT-M10*1.25 | 4 |
| 7 | 903007-0006-02 | FLANGE LOCK NUT-M10*1.25 | 4 |
| 8 | 903006-0004 | FLANGE NUT-M10*1.25 | 1 |
| 8 | 903006-0004-02 | FLANGE NUT-M10*1.25 | 1 |
| 9 | 903018-0035 | FLANGE BOLT-M10*70*1.25 | 1 |
| 9 | 903018-0035-02 | FLANGE BOLT-M10*70*1.25 | 1 |
| 10 | 502001-0004 | REAR SHOCK BUSH | 1 |
| 11 | 901001-0003 | FLANGE AXLE | 1 |

Brake Pedal Assy



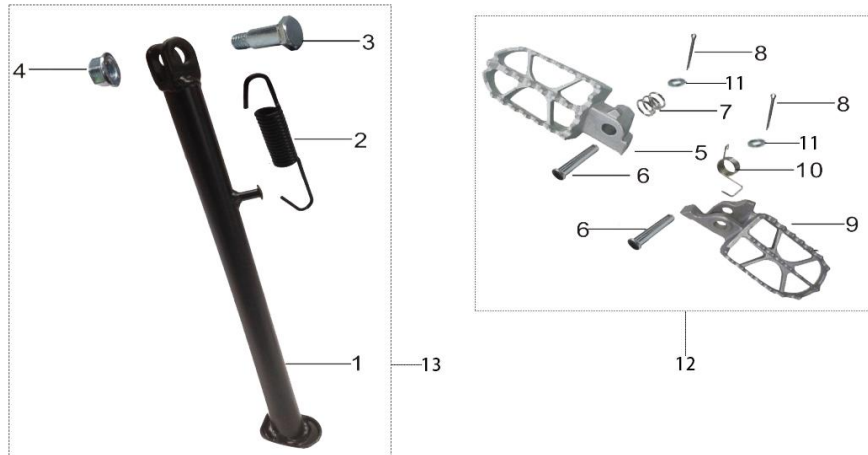
| No. | Code | Name | Qty. |
|-----|----------------|------------------------------|------|
| 1 | 406001-0038 | BRAKE PEDAL | 1 |
| 2 | 406002-0005 | BRAKE PEDAL HEAD | 1 |
| 3 | 908005-0001 | RUBBER O RING- Φ 15*2.4 | 2 |
| 4 | 406003-0002 | BRAKE PEDAL FIXING COLUMN | 1 |
| 5 | 407003-0001 | REAR BRAKE SPRING | 1 |
| 6 | 903013-0001 | SCREW-M5*12 | 2 |
| 6 | 903013-0001-02 | SCREW-M5*12 | 2 |
| | C90002-0173 | BRAKE PEDAL ASSEMBLY | 1 |

Engine Assy



| No. | Code | Name | Qty. |
|-----|----------------|------------------|------|
| 1 | 101000-0548 | ENGINE ASSY. | 1 |
| 1 | 101000-0549 | ENGINE ASSY. | 1 |
| 2 | 903013-0008 | SCREW-M6*20 | 1 |
| 2 | 903013-0008-03 | SCREW-M6*20 | 1 |
| 3 | 201002-0024 | GEAR SHIFT LEVER | 1 |

Sidestand & Footpegs Assy



| No. | Code | Name | Qty. |
|-----|----------------|---------------------------------|------|
| 1 | 554000-0038 | SIDE STAND | 1 |
| 1 | 554000-0053 | SIDE STAND | 1 |
| 2 | 407002-0001 | SIDE STAND SPRING | 1 |
| 3 | 903020-0002 | STEP BOLT-M10*35*1.5 S17 | 1 |
| 3 | 903020-0002-03 | STEP BOLT-M10*35*1.5 S17 | 1 |
| 4 | 903007-0007 | FLANGE LOCK NUT-M10*1.5 | 1 |
| 4 | 903007-0007-03 | FLANGE LOCK NUT-M10*1.5 | 1 |
| 5 | 506003-0027 | RIGHT FOOTPEG ASSY | 1 |
| 5 | 506003-0031 | RIGHT FOOTPEG ASSY. | 1 |
| 5 | 506003-0032 | RIGHT FOOTPEG ASSY. | 1 |
| 6 | 904001-0005 | HINGE PIN | 2 |
| 7 | 407001-0013 | STRONG SPRING | 1 |
| 8 | 904002-0002 | COTTER PIN-2.5*24 | 2 |
| 8 | 904002-0002-03 | COTTER PIN-2.5*24 | 2 |
| 9 | 506003-0026 | LEFT FOOTPEG ASSY. | 1 |
| 9 | 506003-0030 | LEFT FOOTPEG ASSY. | 1 |
| 10 | 407001-0012 | LEFT FOOTPEG SPRING | 1 |
| 11 | 903002-0007-02 | FLAT WASHER $\Phi 10*16*1.5$ | 2 |
| 12 | C90002-0031-02 | LEFT AND RIGHT FOOTPEG ASSEMBLY | 1 |
| 13 | C90002-0157 | STRAIGHT SIDE STAND ASSEMBLY | 1 |

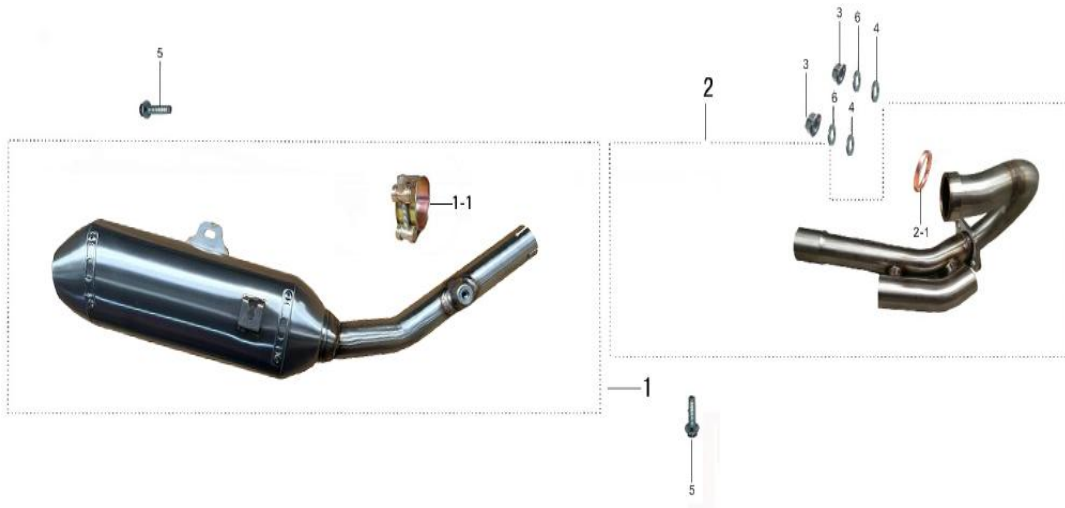
Carburetor and Air Filter Assy



| No. | Code | Name | Qty. |
|-----|----------------|-----------------------------|------|
| 1 | 903002-0002 | FLAT WASHER-Φ6*18*1.5 | 1 |
| 1 | 903002-0002-03 | FLAT WASHER-Φ6*18*1.5 | 1 |
| 2 | 102000-0032 | CARBURETOR | 1 |
| 3 | 906001-0004 | HOOP-Φ51-70 | 1 |
| 4 | 105003-0015 | AIR INLET RUBBER CONNECTOR | 1 |
| 4 | 105003-0015-02 | AIR INLET RUBBER CONNECTOR | 1 |
| 5 | 105004-0007 | AIR FILTER RING | 1 |
| 6 | 903006-0002 | FLANGE NUT-M6 | 5 |
| 6 | 903006-0002-03 | FLANGE NUT-M6 | 5 |
| 7 | 903007-0001 | FLANGE LOCK NUT-M5 | 6 |
| 7 | 903007-0001-03 | FLANGE LOCK NUT-M5 | 6 |
| 8 | 105004-0008 | AIR FILTER ROUND CONNECTOR | 1 |
| 8 | 105004-0008-02 | AIR FILTER ROUND CONNECTOR | 1 |
| 9 | 105004-0009 | SPONGE SPROCKET | 1 |
| 10 | 903020-0008 | BUTTERFLY SHAPE BOLT- M6*75 | 1 |
| 10 | 903020-0059 | BUTTERFLY SHAPE BOLT-M6*65 | 1 |
| 11 | 105002-0011 | SPONGE | 1 |
| 11 | 105002-0020 | SPONGE | 1 |
| 12 | 105001-0007 | RIGHT AIR FILTER COVER | 1 |
| 12 | 105001-0007-02 | RIGHT AIR FILTER COVER | 1 |
| 12 | 105001-0007-03 | RIGHT AIR FILTER COVER | 1 |
| 12 | 105001-0007-04 | RIGHT AIR FILTER COVER | 1 |
| 13 | 105001-0008 | UPPER AIR FILTER COVER | 1 |
| 13 | 105001-0008-02 | UPPER AIR FILTER COVER | 1 |

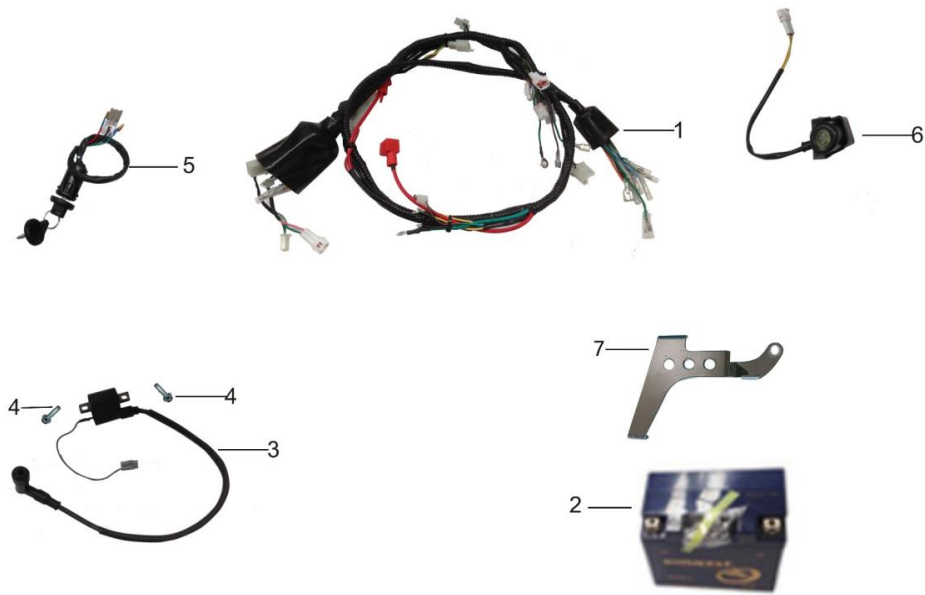
| | | | |
|----|----------------|--------------------------------------|---|
| 14 | 105001-0006 | LEFT AIR FILTER COVER | 1 |
| 14 | 105001-0006-02 | LEFT AIR FILTER COVER | 1 |
| 15 | 903008-0026 | NUT-M6 19*11*5.0 | 3 |
| 16 | 903015-0001 | SCREW-M6*10 | 3 |
| 16 | 903015-0001-02 | SCREW-M6*10 | 1 |
| 17 | 801010-0010 | SMALL MUD COVER | 1 |
| 18 | 903018-0003 | FLANGE BOLT-M6*12 | 6 |
| 18 | 903018-0003-03 | FLANGE BOLT-M6*12 | 8 |
| 19 | 903010-0004 | TAPPING SCREW-ST4.2*12 | 2 |
| 19 | 903010-0004-03 | TAPPING SCREW-ST4.2*12 | 2 |
| 20 | 105004-0015 | AIR FILTER COVER CONNECTION BRACKET | 1 |
| 21 | 903009-0010 | SCREW-M6*12 | 1 |
| 21 | 903009-0010-03 | SCREW-M6*12 | 1 |
| 22 | 908003-0002 | RUBBER FLAT WASHER Φ 5.5*14.5*2 | 1 |
| 23 | 903005-0004 | NUT-M6 | 1 |
| 23 | 903005-0004-03 | NUT-M6 | 1 |
| 24 | C90002-0177 | AIR FILTER ASSY ASSEMBLY | 1 |

Muffler Assy



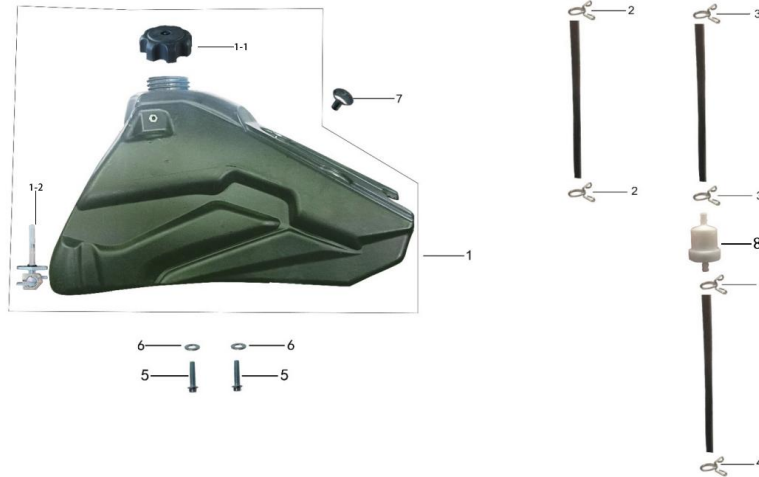
| No. | Code | Name | Qty. |
|-----|----------------|-----------------------|------|
| 1 | 106002-0029 | MUFFLER | 1 |
| 1 | 106002-0029-02 | MUFFLER | 1 |
| 1 | 106002-0029-05 | MUFFLER | 1 |
| 1-1 | 106004-0001 | MUFFLER HOOP | 1 |
| 2 | 106001-0080 | EXHAUST PIPE | 1 |
| 2-1 | 106003-0001 | SEAL GASKET | 1 |
| 3 | 903007-0005 | FLANGE LOCK NUT | 2 |
| 4 | 903002-0004 | FLAT WASHER-Φ8*16*1.5 | 2 |
| 4 | 903002-0004-03 | FLAT WASHER-Φ8*16*1.5 | 2 |
| 5 | 903019-0012 | FLANGE BOLT-M8*16 | 2 |
| 5 | 903019-0012-03 | FLANGE BOLT-M8*16 | 2 |
| 6 | 903001-0004 | SPRING WASHER-Φ8*13*2 | 2 |
| 6 | 903001-0003-02 | SPRING WASHER-Φ8*13*2 | 2 |

Electric Component Assy



| No. | Code | Name | Qty. |
|-----|----------------|---------------------|------|
| 1 | 309001-0108 | MAIN CABLE | 1 |
| 1 | 309001-0108-02 | MAIN CABLE | 1 |
| 1 | 309001-0108-05 | MAIN CABLE | 1 |
| 2 | 312001-0038 | LITHIUM BATTERY | 1 |
| 2 | 312001-0046 | LITHIUM BATTERY | 1 |
| 2 | 312001-0027 | BATTERY | 1 |
| 2 | 312001-0027-02 | BATTERY | 1 |
| 3 | 306001-0011 | IGNITION COIL | 1 |
| 4 | 903018-0005 | FLANGE BOLT-M6*20 | 2 |
| 4 | 903018-0005-03 | FLANGE BOLT-M6*20 | 2 |
| 5 | 314001-0012 | ELECTRIC LOCK | 1 |
| 5 | 314001-0012-03 | ELECTRIC LOCK | 1 |
| 6 | 301001-0005 | RELAY | 1 |
| 6 | 301001-0001 | RELAY | 1 |
| 7 | 315012-0012 | BATTERY FIX BRACKET | 1 |
| 7 | 315012-0029 | BATTERY FIX BRACKET | 1 |

Fuel Tank Assy



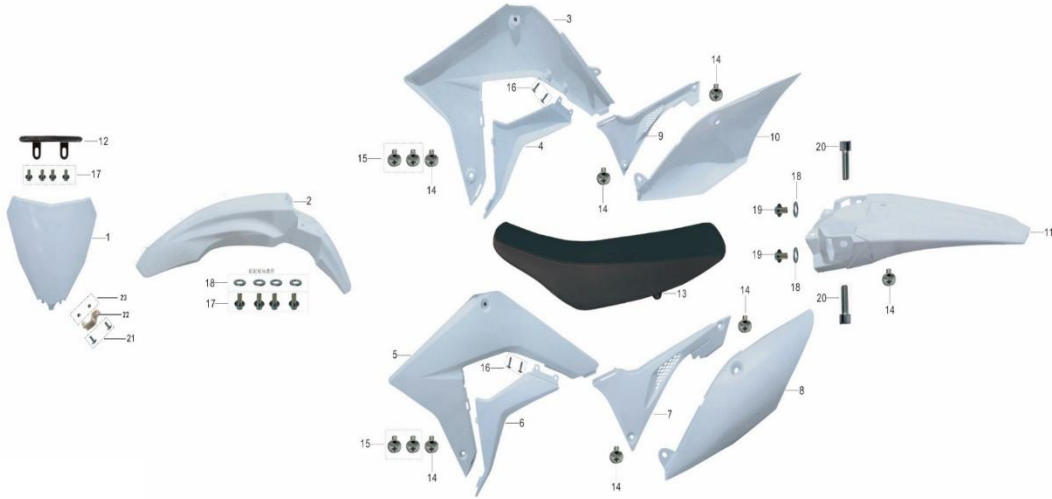
| No. | Code | Name | Qty. |
|-----|----------------|-----------------------|------|
| 1 | 805001-0021 | FUEL TANK | 1 |
| 1 | 805001-0021-04 | FUEL TANK | 1 |
| 1-1 | 805003-0007 | PLASTIC FUEL TANK CAP | 1 |
| 1-2 | 805004-0001 | FUEL TANK SWITCH | 1 |
| 1-2 | 805004-0032 | FUEL TANK SWITCH | 1 |
| 2 | 906002-0001 | PIPE CLIP | 2 |
| 3 | 906002-0002 | PIPE CLIP | 2 |
| 4 | 906002-0006 | PIPE CLIP | 2 |
| 5 | 903018-0008 | FLANGE BOLT-M6*40 | 2 |
| 5 | 903018-0008-03 | FLANGE BOLT-M6*40 | 2 |
| 6 | 903002-0010 | FLAT WASHER-Φ12*24*2 | 2 |
| 6 | 903002-0010-03 | FLAT WASHER-Φ12*24*2 | 2 |
| 7 | 903012-0006 | SCREW-TM6*12 | 1 |
| 7 | 903012-0006-03 | SCREW-TM6*12 | 1 |
| 8 | 108001-0002 | FUEL FILTER | 1 |

Headlight Assy



| No. | Code | Name | Qty. |
|-----|----------------|--------------------------|------|
| 1 | 308001-0005 | HEADLIGHT ASSY. | 1 |
| 1 | 308001-0035 | FRONT LIGHT ASSY. | 1 |
| 1-1 | 308006-0023 | HEADLIGHT COVER | 1 |
| 1-2 | 308005-0010 | HEADLIGHT BULB | 1 |
| 2 | 315008-0007 | HEADLIGHT UPPER BRACKET | 1 |
| 3 | 315011-0002 | SPEEDMETER LOWER BRACKET | 1 |
| 3 | 315008-0024-02 | HEADLIGHT LOWER BRACKET | 1 |
| 4 | 903018-0003 | FLANGE BOLT-M6*12 | 2 |
| 4 | 903018-0003-03 | FLANGE BOLT-M6*12 | 2 |
| 5 | 903018-0004 | FLANGE BOLT-M6*16 | 5 |
| 5 | 903018-0004-03 | FLANGE BOLT-M6*16 | 5 |
| 6 | 902001-0001 | FLAT BUSHING | 2 |
| 7 | 908007-0010 | RUBBER RING | 2 |
| 8 | 903002-0002 | FLAT WASHER-Φ6*18*1.5 | 4 |
| 8 | 903002-0002-03 | FLAT WASHER-Φ6*18*1.5 | 4 |
| 9 | 903006-0002 | FLANGE NUT-M6 | 4 |
| 9 | 903006-0002-03 | FLANGE NUT-M6 | 4 |
| 10 | 801010-0022 | CLIP-Φ13 | 1 |

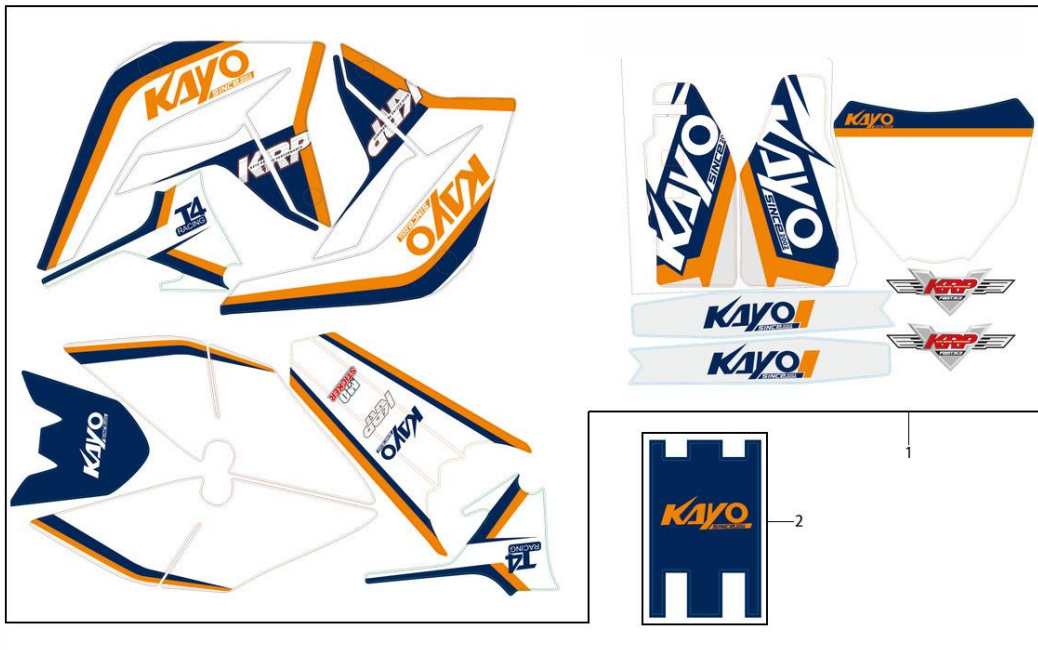
Plastic Assy



| No. | Code | Name | Qty. |
|-----|----------------|-------------------------------|------|
| 1 | 801010-0011 | NUMBER PLATE | 1 |
| 1 | 801010-0011-03 | NUMBER PLATE | 1 |
| 2 | 801010-0012 | FRONT FENDER | 1 |
| 2 | 801010-0012-03 | FRONT FENDER | 1 |
| 3 | 801010-0015 | RIGHT FRONT COVER | 1 |
| 3 | 801010-0015-03 | RIGHT FRONT COVER | 1 |
| 4 | 801010-0016 | RIGHT FRONT DECORATING PLATE | 1 |
| 4 | 801010-0016-03 | RIGHT FRONT DECORATING PLATE | 1 |
| 5 | 801010-0013 | LEFT FRONT COVER | 1 |
| 5 | 801010-0013-03 | LEFT FRONT COVER | 1 |
| 6 | 801010-0014 | LEFT FRONT DECORATING PLATE | 1 |
| 6 | 801010-0014-03 | LEFT FRONT DECORATING PLATE | 1 |
| 7 | 801010-0017 | LEFT REAR UPPER COVER | 1 |
| 7 | 801010-0017-03 | LEFT REAR UPPER COVER | 1 |
| 8 | 801010-0018 | LEFT REAR LOWER COVER | 1 |
| 8 | 801010-0018-03 | LEFT REAR LOWER COVER | 1 |
| 9 | 801010-0019 | RIGHT REAR UPPER COVER | 1 |
| 9 | 801010-0019-03 | RIGHT REAR UPPER COVER | 1 |
| 10 | 801010-0020 | RIGHT REAR LOWER COVER | 1 |
| 10 | 801010-0020-03 | RIGHT REAR LOWER COVER | 1 |
| 11 | 801010-0021 | REAR MIDDLE COVER | 1 |
| 11 | 801010-0021-03 | REAR MIDDLE COVER | 1 |
| 12 | 555000-0145 | UPPER BRACKET FOR FRONT PLATE | 1 |
| 13 | 701000-0035-02 | SEAT | 1 |
| 14 | 903012-0006 | SCREW-TM6*12 | 7 |
| 14 | 903012-0006-03 | SCREW-TM6*12 | 7 |

| No. | Code | Name | Qty. |
|-----|----------------|------------------------|------|
| 15 | 903012-0011 | SCREW-TM6*10 | 4 |
| 15 | 903012-0011-03 | SCREW-TM6*10 | 4 |
| 16 | 903010-0004 | TAPPING SCREW-ST4.2*12 | 4 |
| 16 | 903010-0004-03 | TAPPING SCREW-ST4.2*12 | 4 |
| 17 | 903018-0003 | FLANGE BOLT-M6*12 | 8 |
| 17 | 903018-0003-03 | FLANGE BOLT-M6*12 | 8 |
| 18 | 903002-0002 | FLAT WASHER-Φ6*18*1.5 | 6 |
| 18 | 903002-0002-03 | FLAT WASHER-Φ6*18*1.5 | 6 |
| 19 | 903018-0004 | FLANGE BOLT-M6*16 | 2 |
| 19 | 903018-0004-03 | FLANGE BOLT-M6*16 | 2 |
| 20 | 903013-0025 | TAPPING SCREW-M8*45 | 2 |
| 21 | 903009-0003 | SCREW-M4*12 | 2 |
| 21 | 903009-0003-03 | SCREW-M4*12 | 2 |
| 22 | 801003-0011 | CABLE CLIP | 1 |
| 23 | 903005-0001 | NUT-M4 | 2 |
| | C90002-0058 | PLASTIC PARTS | 1 |

Sticker Assy



| No. | Code | Name | Qty. |
|-----|----------------|---------------------|------|
| 1 | 802010-0106 | STICKER | 1 |
| 1 | 802010-0123 | STICKER | 1 |
| 1 | 802010-0123-03 | STICKER | 1 |
| 2 | 802010-0108 | HANDLEBAR PAD COVER | 1 |