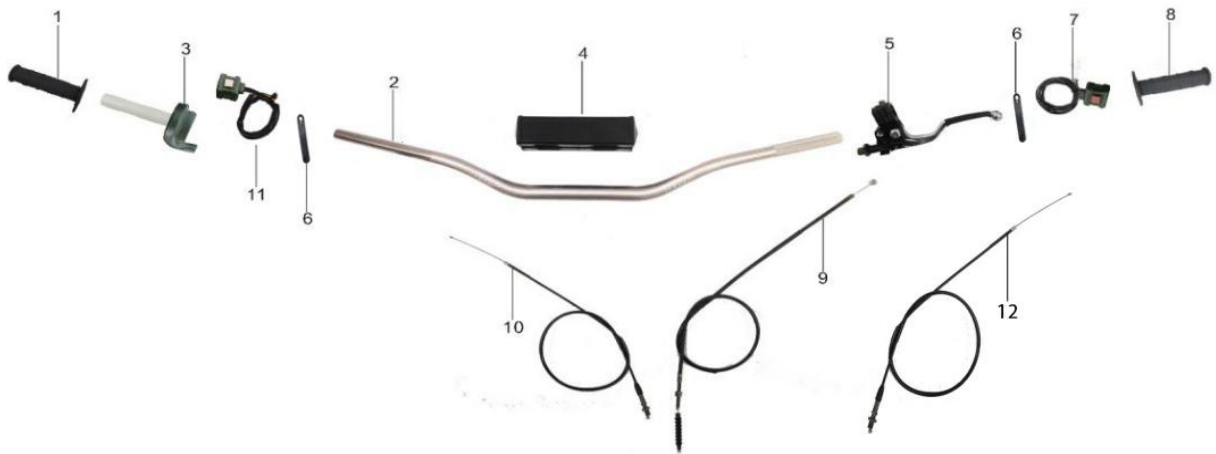


# T2 Parts Catalog

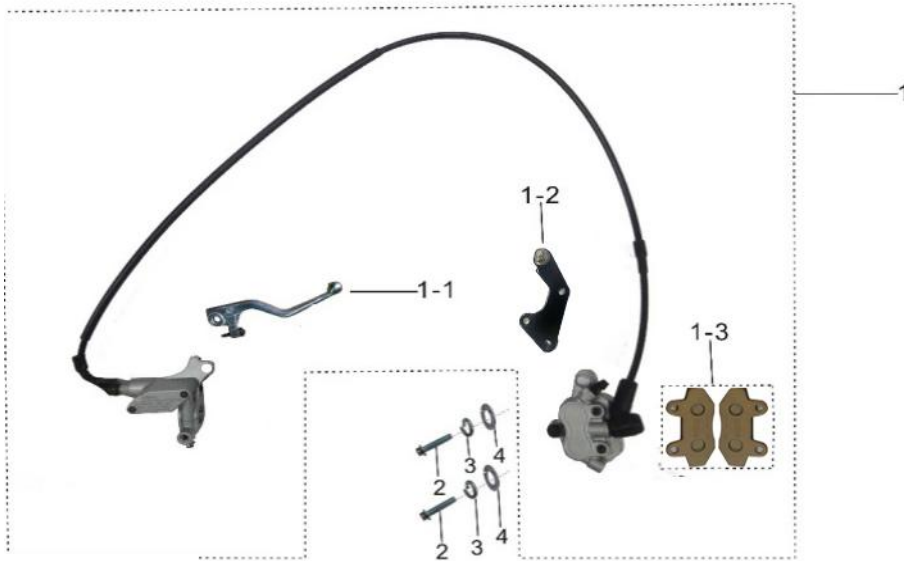


## Handlebar Assy



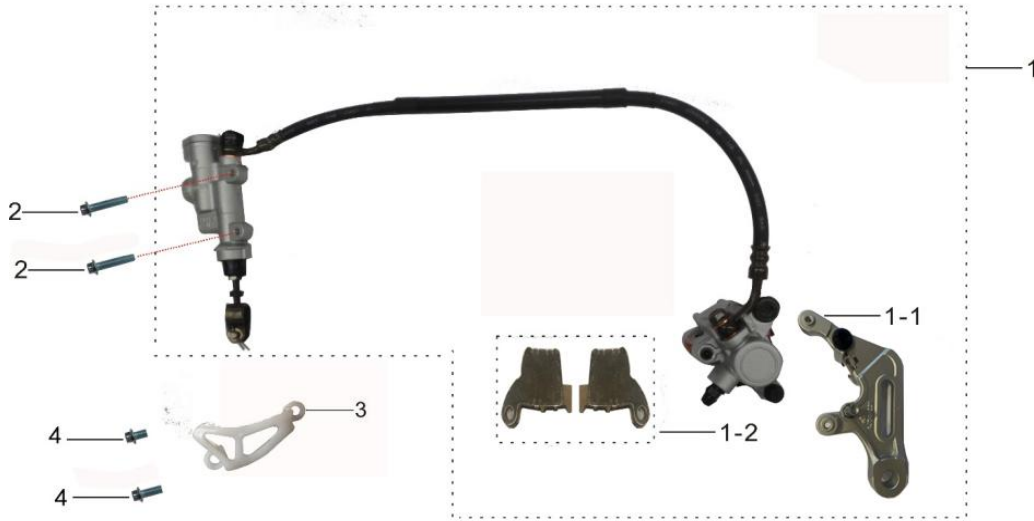
No.	Code	Name	Qty.
1	602006-0019	RIGHT BAR GRIP	1
2	602002-0025	ALUMINIUM HANDLE BAR	1
2	602002-0025-03	ALUMINIUM HANDLEBAR	1
3	602011-0009	THROTTLE PERCH	1
4	602017-0005	HANDLE BAR PAD	1
5	602007-0019-02	CLUTCH LEVER ASSY.	1
5	602007-0020	CLUTCH LEVER ASSY.	1
5	602007-0020-02	CLUTCH LEVER ASSY.	1
6	908007-0071	RUBBER BINDING	2
7	313003-0014	STOP SWITCH	1
8	602006-0018	LEFT BAR GRIP	1
9	602013-0020-02	CLUTCH CABLE	1
9	602013-0020-03	CLUTCH CABLE	1
10	602014-0048	THROTTLE CABLE	1
11	313002-0006	START SWITCH	1
12	602015-0008	THROTTLE CABLE	1

## Front Brake Assy



No.	Code	Name	Qty.
1	404000-0110	FRONT BRAKE ASSY.	1
1-1	404002-0024	BRAKE LEVER	1
1-2	404008-0004	FRONT BRAKE BRACKET	1
1-3	404007-0019	FRONT BRAKE PAD	1
2	903018-0012-03	FLANGE BOLT-M8*40	2
3	903001-0003-02	SPRING WASHER-Φ8*13*2	2
4	903002-0004-03	FLAT WASHER-Φ8*16*1.5	2

## Rear Brake Assy



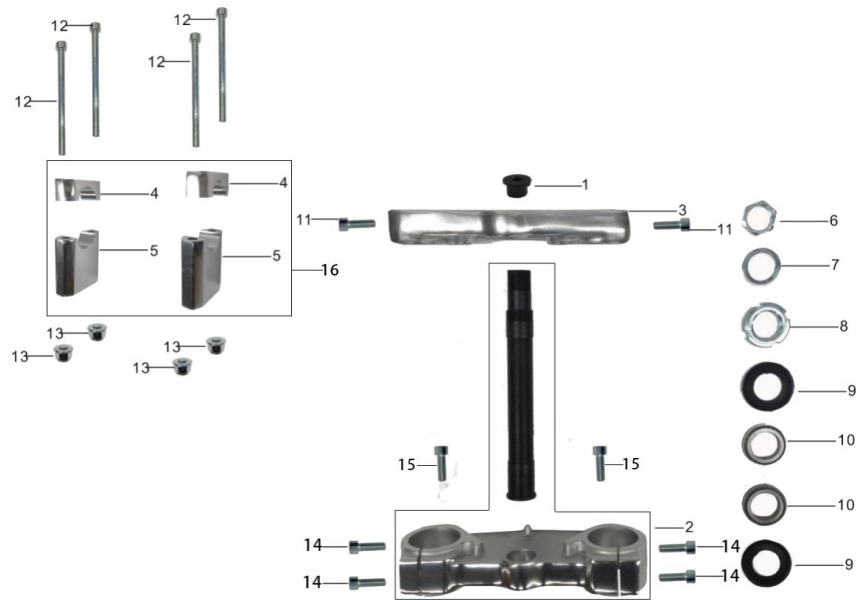
No.	Code	Name	Qty.
1	405000-0117	REAR BRAKE ASSY.	1
1-1	405009-0013	REAR BRAKE BRACKET	1
1-2	405008-0015	REAR BRAKE PAD	1
2	903020-0034-02	SCREW-M6*20	2
3	405011-0001	BRAKE PUMP COVER	1
4	903018-0003-03	FLANGE BOLT-M6*12	2

## Front Shock Assy



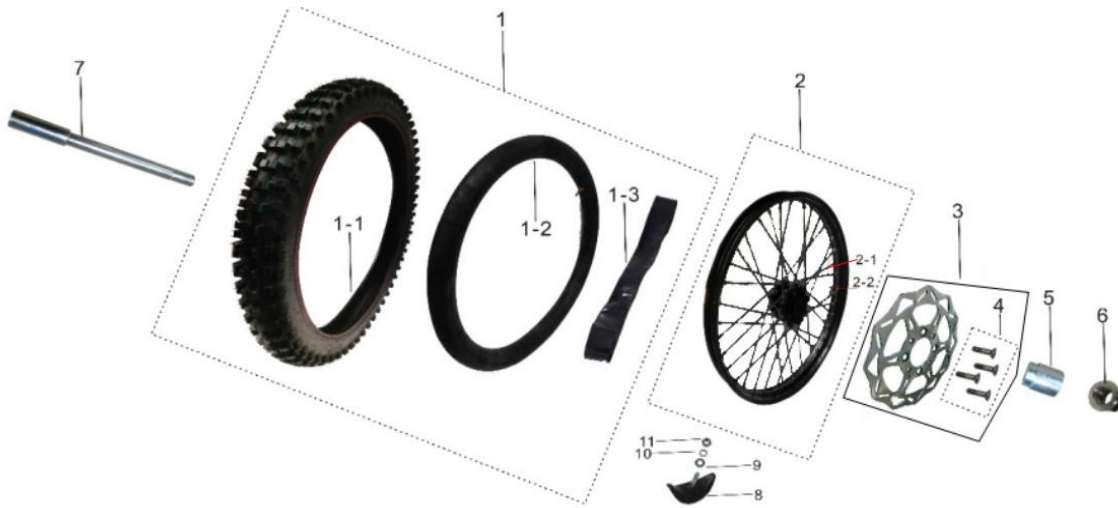
No.	Code	Name	Qty.
1	501000-0047	LEFT FRONT FORK	1
1-1	501001-0003	LEFT FRONT COVER	1
1-2	903015-0002	SCREW-M6*16	6
2	501000-0048	RIGHT FRONT FORK	1
2-1	501001-0004	RIGHT FRONT COVER	1
3	501004-0002	FRONT FORK SHEATH	2

## Coupling plate assy



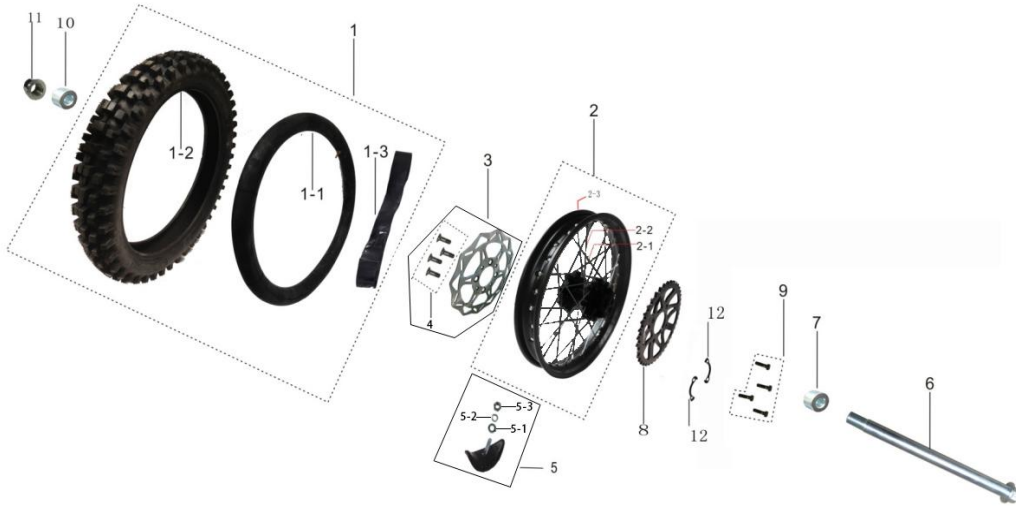
No.	Code	Name	Qty.
1	908004-0004	STEERING PLUG	1
2	601002-0016	LOWER CLAMP ASSY	1
3	601001-0006-02	UPPER CLAMP	1
4	601003-0002-03	UPPER RAISERS	2
5	601004-0003-03	LOWER RAISERS	2
6	601005-0002	NUT-M26*1	1
7	601005-0014	WASHER-Φ27*40*1.5	1
8	601005-0006	LOCKNUT-M30*1*H12	1
9	601005-0010	DUST SEAL	2
10	907002-0008	BEARING	2
11	903013-0018-03	SCREW-M8*20	2
12	903013-0033-03	SCREW-M8*110	4
13	903007-0005	FLANGE LOCK NUT M8	4
14	903013-0008-03	SCREW-M6*20	4
15	903013-0017-03	SCREW-M8*16	2
16	C90002-0007	FRONT LEFT AND RIGHT WHEEL ASSEMBLY	1

## Front Wheel Assy



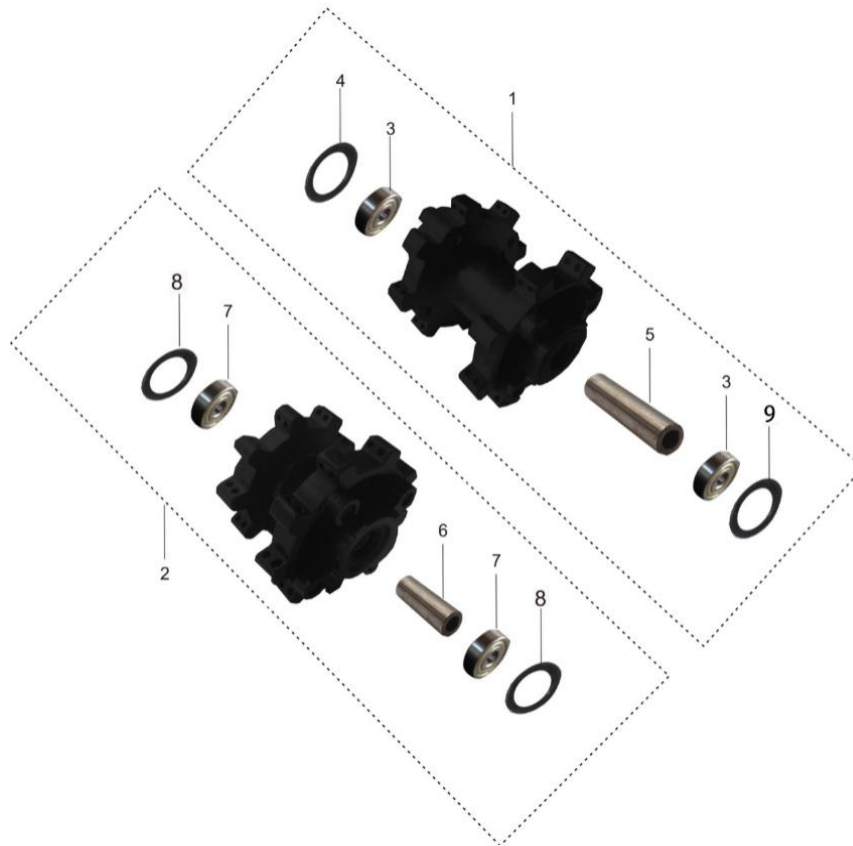
No.	Code	Name	Qty.
1	401005-0013	FRONT TYRE ASSY.	1
2	401006-0011	FRONT OUTER TYRE	1
3	401007-0006	FRONT INNER TYRE	1
4	401008-0007	LINING BELT	1
5	401000-0069-02	FRONT RIM ASSY.	1
6	401004-0012-02	SPOKE ASSY.	36
7	401001-0010	ALUMINUM RIM	1
8	404001-0018	FRONT BRAKE DIST	1
9	405012-0001	REAR DISC BOLT-M8*20*1.25	4
10	902002-0039	STEP WASHER	1
11	903007-0009-02	FLANGE LOCKNUT-M14*1.5	1
12	901002-0007	AXLE	1
13	401010-0004	RIM LOCK	1
14	903002-0004-03	FLAT WASHER-Φ8*16*1.5	1
15	903001-0003-02	SPRING WASHER-Φ8*13*2	1
16	903005-0006-02	NUT-M8	1
17	C90002-0108	FRONT WHEEL ASSY	1

## Rear Wheel Assy



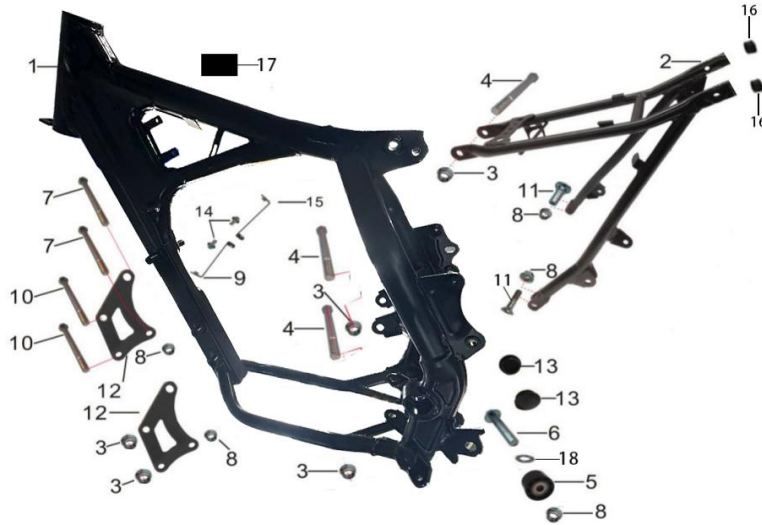
No.	Code	Name	Qty.
1	402005-0015	REAR TYRE ASSY.	1
1-1	402007-0005	REAR INNER TYRE	1
1-2	402006-0008	REAR OUTER TYRE	1
1-3	401008-0005	LINING BELT	1
2	402000-0077-02	REAR RIM	1
2-1	402004-0015-02	SPOKE ASSY.	16
2-2	402004-0016-02	SPOKE ASSY.	16
2-3	402001-0016	ALUMINUM RIM	1
3	405001-0016	REAR BRAKE DISC	1
4	405012-0001	REAR DISC BOLT- M8*20*1.25	4
5	401010-0005	TYRE CLIP	1
5-1	903002-0004	FLAT WASHER-Φ8*16*1.5	1
5-2	903001-0004	SPRING WASHER-Φ8*13*2	1
5-3	903005-0006	NUT-M8	1
6	901001-0033-03	FLANGE AXLE	1
7	902001-0073	FLAT WASHER-Φ15.2*25*H8	1
8	205001-0051	REAR SPROCKET	1
9	903017-0013	BOLT-M10*40*1.5 S16	4
10	902001-0063	FLAT WASHER Φ15*25*H21	1
11	903007-0009-02	FLANGE LOCKNUT- M14*1.5	1
12	906004-0002	REAR SPROCKET LOCK WASHER	2
	C90002-0109	REAR WHEEL ASSY	1

## Front and Rear Wheel Hub Assy



No.	Code	Name	Qty.
1	401003-0015-04	FRONT HUB ASSY.	1
2	402003-0019-04	REAR HUB ASSY.	1
3	907001-0018	BEARING	2
4	908001-0014	OIL SEAL	1
5	902001-0099	HUB BUSH	1
6	902001-0100	HUB BUSH	1
7	907001-0020	BEARING	2
8	908001-0009	OIL SEAL	2
9	908001-0025	OIL SEAL	1

## Frame Assy



No.	Code	Name	Qty.
1	551000-0097-01	FRAME ASSY.	1
1	551000-0097-0202	FRAME ASSY.	1
2	552000-0040-01	SUB FRAME ASSY.	1
3	903007-0006-02	FLANGE BOLT-M10*1.25	5
4	903017-0017-02	BOLT-M10*110*1.25	3
5	203004-0016	CHAIN ROLLER	1
6	903018-0012-03	FLANGE BOLT- M8*40	1
7	903018-0020-02	FLANGE BOLT- M8*90	2
8	903007-0005	FLANGE LOCK NUT M8	5
9	555000-0146	LEFT FRONT FENDER BRACKET	1
10	903019-0023	FLANGE BOLT M10*90*1.25	2
11	903016-0003-03	SCREW-M8*26	2
12	555000-0104	ENGINE STATOR AT FRONT	2
13	908004-0008	SWING ARM PLUG	2
14	903018-0003-03	FLANGE BOLT- M6*12	2
15	555000-0147	RIGHT FRONT FENDER BRACKET	1
16	908004-0002	CHAIN SUPPORT PLUG	2
17	909010-0008	EVA	1
18	903002-0004-03	FLAT WASHER-Φ8*16*1.5	1

## Flat Fork Assy



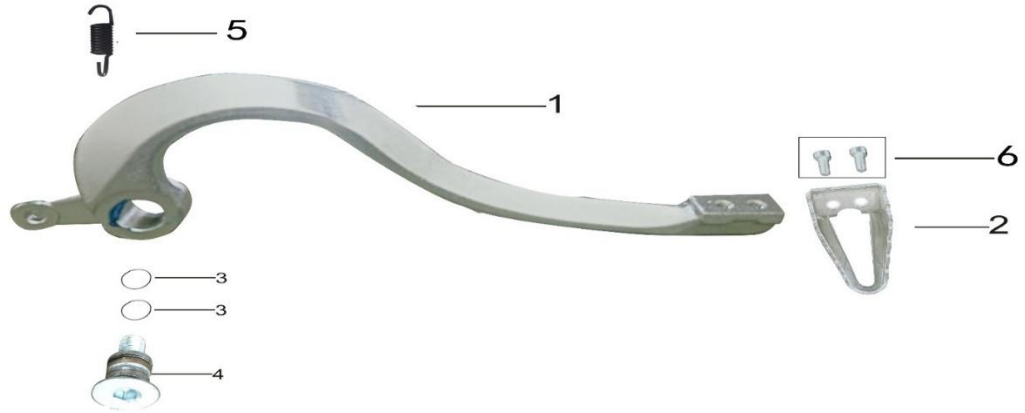
No.	Code	Name	Qty.
1	553000-0075-02	STEEL-SWING ARM	1
2	203000-0103	CHAIN	1
3	203001-0006	CHAIN LINKAGE	1
4	901001-0038-02	FLANGE AXLE	1
5	203004-0018	CHAIN SLIDER	1
6	903003-0006	OVAL GASKET	2
7	903009-0010-03	SCREW-M6*12	2
8	405010-0001	REAR BRAKE OIL PIPE CLIP	2
9	903012-0006-03	SCREW-TM6*12	3
10	203004-0001	CHAIN GUARD PLASTIC	1
11	203004-0002	CHAIN GUARD SLICE	1
12	903018-0008-03	FLANGE BOLT-M6*40	1
13	903005-0006-02	NUT-M8	4
14	903002-0002-03	FLAT WASHER-Φ6*18*1.5	2
15	903007-0003	FLANGE LOCK NUT-M6	2
16	903007-0011-02	FLANGE LOCKNUT-M16*1.5	1
17	903017-0010-03	BOLT-M8*70	2
18	902001-0082	BUSH	1
19	902001-0078	BUSH	2
20	907002-0004	BEARING	2
21	908005-0004	O RING	2
22	902002-0040	STEP BUSH	2
23	203002-0001-06	CHAIN ADJUSTER	2
24	903019-0010-03	BOLT-M6*35	2
25	C90002-0155	STRAIGHT SWINGARM ASSEMBLY	1

## Rear Shock and Rocker Assy



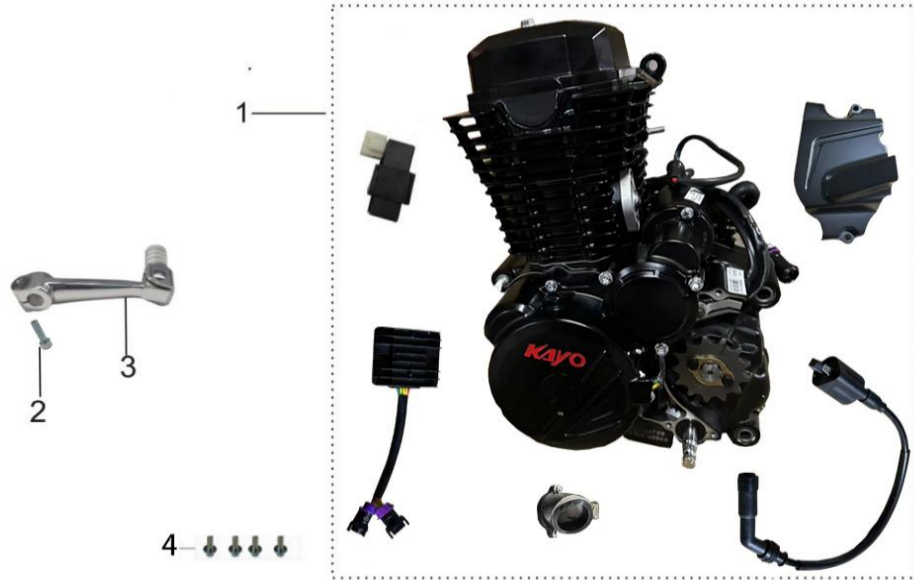
No.	Code	Name	Qty.
1	502000-0070	REAR SHOCK ASSY.	1
2	504000-0002	U ROCKER ARM ASSY.	1
3	503000-0001	TRIANGLE ROCKER ARM ASSY.	1
4	903017-0022-02	BOLT-M10*65*1.25	1
5	903020-0013-02	OVAL HEAD BOLT-M10*42*1.25+Φ10*28	1
6	903019-0023	FLANGE BOLT-M10*90*1.25	1
7	903007-0006-02	FLANGE LOCKNUT-M10*1.25	4
8	903006-0004-02	FLANGE NUT-M10*1.25	1
9	903018-0035-02	FLANGE BOLT-M10*70*1.25	1
10	502001-0004	REAR SHOCK BUSH	1
11	901001-0003-02	FLANGE AXLE	1

## Brake Pedal Assy



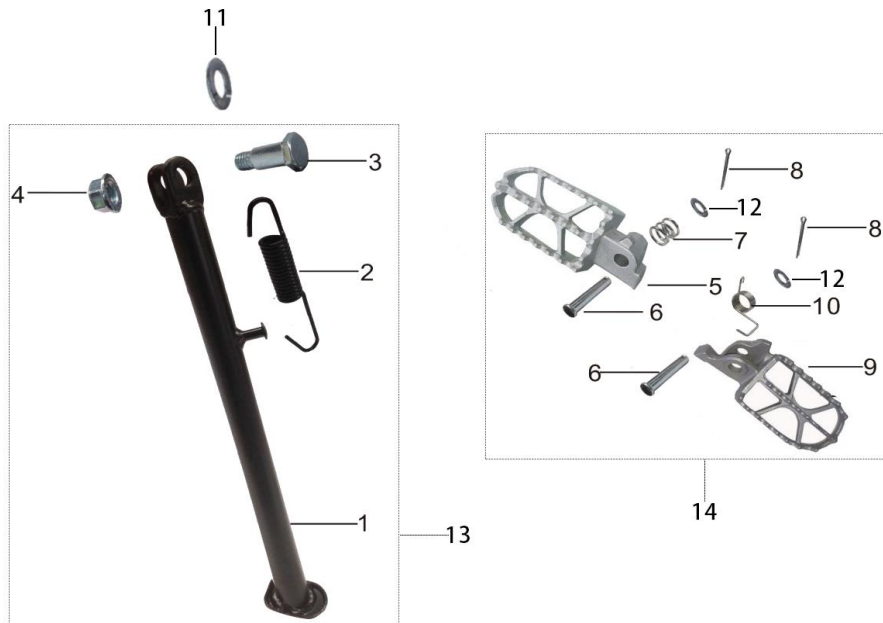
No.	Code	Name	Qty.
1	406001-0038	BRAKE PEDAL	1
2	406002-0005	BRAKE PEDAL HEAD	1
3	908005-0001	RUBBER O RING	2
4	406003-0002	BRAKE PEDAL FIXING COLUMN	1
5	407003-0001	REAR BRAKE SPRING	1
6	903013-0001-02	SCREW-M5*12	2
	C90002-0173	BRAKE PEDAL ASSEMBLY	1

## Engine Assy



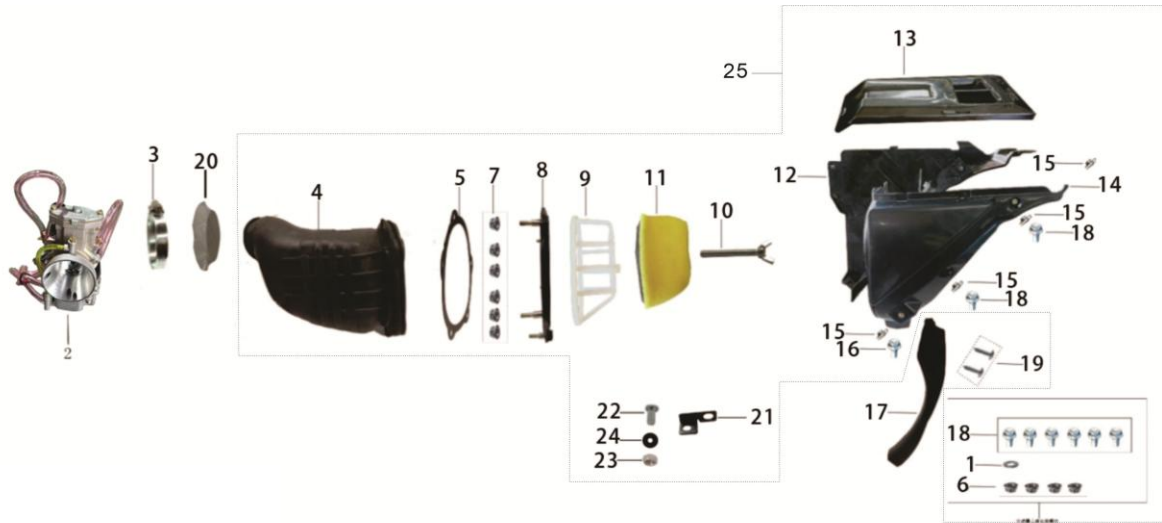
No.	Code	Name	Qty.
1	101000-0670	ENGINE ASSY.	1
2	903013-0008-03	SCREW-M6*20	1
3	201002-0035	GEAR SHIFT LEVER	1
3	201002-0024	GEAR SHIFT LEVER	1
4	903018-0005-03	FLANGE BOLT-M6*20	4
4	A00103-0606-24	FLANGE BOLT-M6*25	4

## Single Brace and Foot Assy



No.	Code	Name	Qty.
1	554000-0044	SIDE STAND	1
1	554000-0051	SIDE STAND	1
2	407002-0001	SIDE STAND SPRING	1
3	903020-0002-03	STEP BOLT-M10*35*1.5 S17	1
4	903007-0007-03	FLANGE LOCKNUT-M10*1.5	1
5	506003-0032	RIGHT FOOTPEG ASSY	1
6	904001-0005	HINGE PIN	2
7	407001-0013	STRONG SPRING	1
8	904002-0002-03	COTTER PIN-2.5*24	2
9	506003-0030	LEFT FOOTPEG ASSY.	1
10	407001-0012	LEFT FOOTPEG SPRING	1
11	903002-0011-02	FLAT WASHER-GB97.1-85 Φ13*20*1.5	1
12	903002-0007-02	FLAT WASHER-GB97.1-85 Φ10*16*1.5	2
13	C90002-0044	STRAIGHT SIDE STAND ASSEMBLY	1
14	C90002-0031-02	LEFT AND RIGHT FOOTPEG ASSEMBLY	1

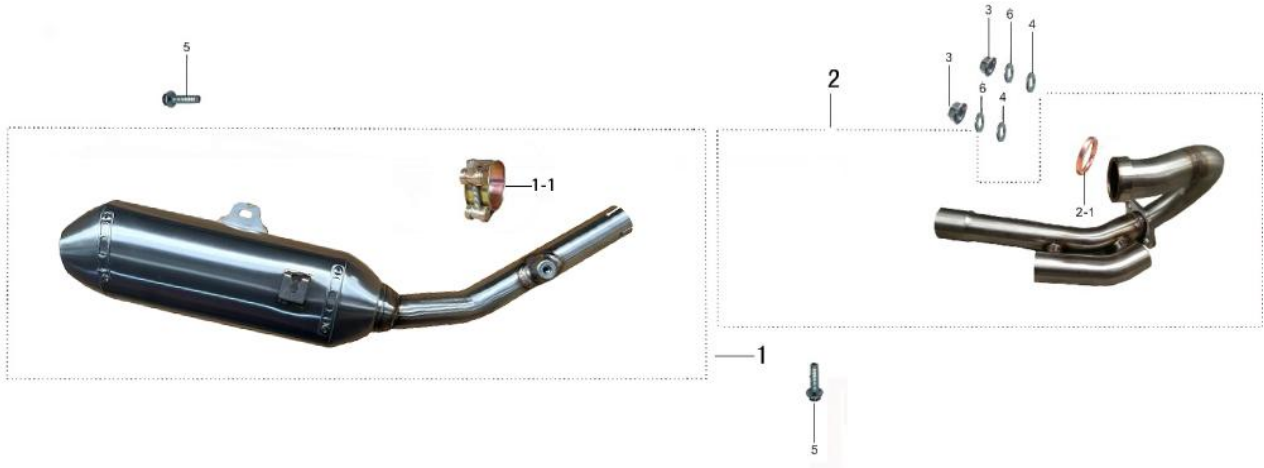
## Carburetor and Air Filter Assy



No.	Code	Name	Qty.
1	903002-0002-03	FLAT WASHER-GB97.1-85 $\Phi$ 6*18*1.5	1
2	102000-0113	CARBURETOR	1
2	102000-0113-02	CARBURETOR	1
2	102000-0118	CARBURETOR	1
2	102000-0119	CARBURETOR	1
3	906001-0004	HOOP	1
4	105003-0034	AIR INLET RUBBER CONNECTOR	1
5	105004-0007	AIR FILTER RING	1
6	903006-0002-03	FLANGE NUT-M6	4
7	903007-0001-03	FLANGE NUT-M5	6
8	105004-0008	AIR FILTER ROUND CONNECTOR	1
8	105004-0008-02	AIR FILTER ROUND CONNECTOR	1
9	105004-0009	SPONGE SPROCKET	1
10	903020-0008	BUTTERFLY SHAPE BOLT-M6*75	1
10	903020-0059	BUTTERFLY SHAPE BOLT-M6*65	1
11	105002-0011	SPONGE	1
11	105002-0020	SPONGE	1
12	105001-0007-03	RIGHT AIR FILTER COVER	1
12	105001-0007-04	RIGHT AIR FILTER COVER	1
13	105001-0008	UPPER AIR FILTER COVER	1
13	105001-0008-02	UPPER AIR FILTER COVER	1
14	105001-0006	LEFT AIR FILTER COVER	1
14	105001-0006-02	LEFT AIR FILTER COVER	1
15	903008-0019-02	NUT-M6 11*17.2*1.0	4
16	903018-0004-03	FLANGE BOLT-M6*16	1

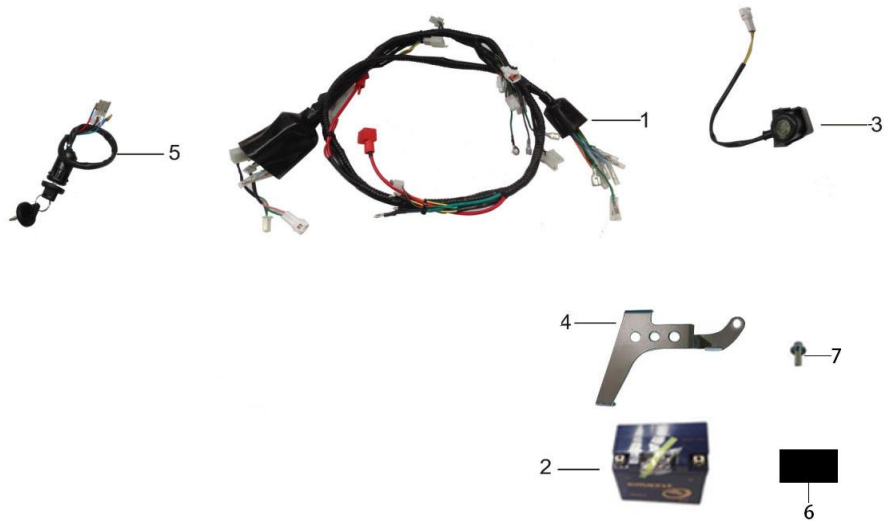
<b>No.</b>	<b>Code</b>	<b>Name</b>	<b>Qty.</b>
17	801010-0010	SMALL MUD COVER	1
18	903018-0003-03	FLANGE BOLT-M6*12	8
19	903010-0006-03	TAPPING SCREW-ST4.8*12	2
20	102004-0007	CARBURETOR FIRE PREVENTION COVER	1
21	105004-0015	AIR FILTER COVER CONNECTOR	1
22	903009-0010-03	TAPPING SCREW-M6*12	1
23	903005-0004-03	NUT-M6	1
24	908003-0002	RUBBER FLAT WASHER $\Phi$ 5.5*14.5*2	1
25	C90002-0177	AIR FILTER ASSY ASSEMBLY	1

## Muffler Assy



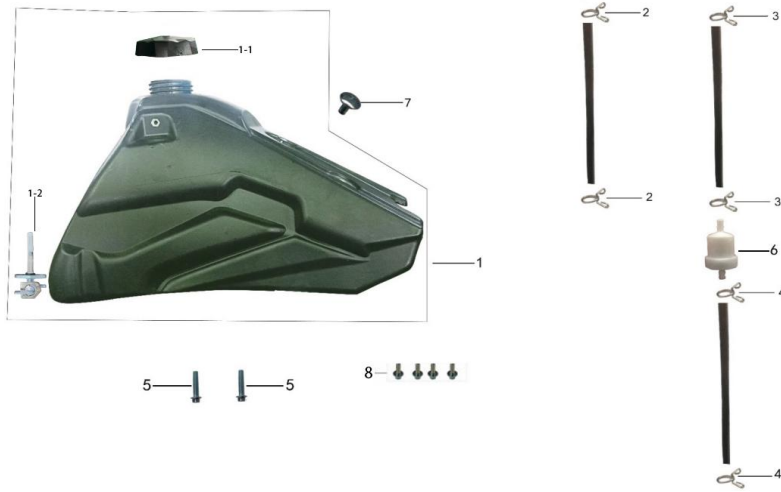
No.	Code	Name	Qty.
1	106002-0029-02	MUFFLER	1
1-1	106004-0001	MUFFLER HOOP	1
2	106001-0143	EXHAUST PIPE	1
2-1	106003-0001	SEAL GASKET	1
3	903007-0005	FLANGE LOCK NUT M8	2
4	903002-0004-03	FLAT WASHER-Φ8*16*1.5	2
5	903019-0012-03	FLANGE BOLT-M8*16	2
6	903001-0003-02	SPRING WASHER-Φ8*13*2	2

## Electronic Assy



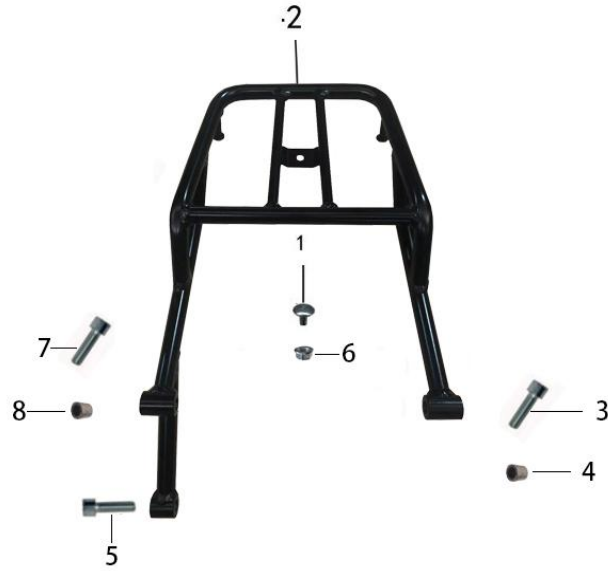
No.	Code	Name	Qty.
1	309001-0108-03	MAIN CABLE	1
1	309001-0108-04	MAIN CABLE	1
2	312001-0027	BATTERY	1
3	301001-0001	RELAY	1
4	315012-0029	BATTERY FIX BRACKET	1
5	314001-0012-03	ELECTRIC LOCK	1
6	909010-0019	EVA	1
7	903018-0004-03	FLANGE BOLT-M6*16	1

## Fuel Tank Assy



No.	Code	Name	Qty.
1	805001-0021	FUEL TANK	1
1	805001-0021-04	FUEL TANK	1
1-1	805003-0007	PLASTIC FUEL TANK CAP	1
1-2	805004-0001	FUEL TANK SWITCH	1
1-2	805004-0032	FUEL TANK SWITCH	1
2	906002-0001	PIPE CLIP	2
3	906002-0002	PIPE CLIP	2
4	906002-0006	PIPE CLIP	2
5	903018-0008-03	FLANGE BOLT-M6*40	2
6	108001-0002	FUEL FILTER	1
7	903012-0006-03	SCREW-TM6*12	1
8	903018-0003-03	FLANGE BOLT-M6*12	4

## Rear Rack Assy



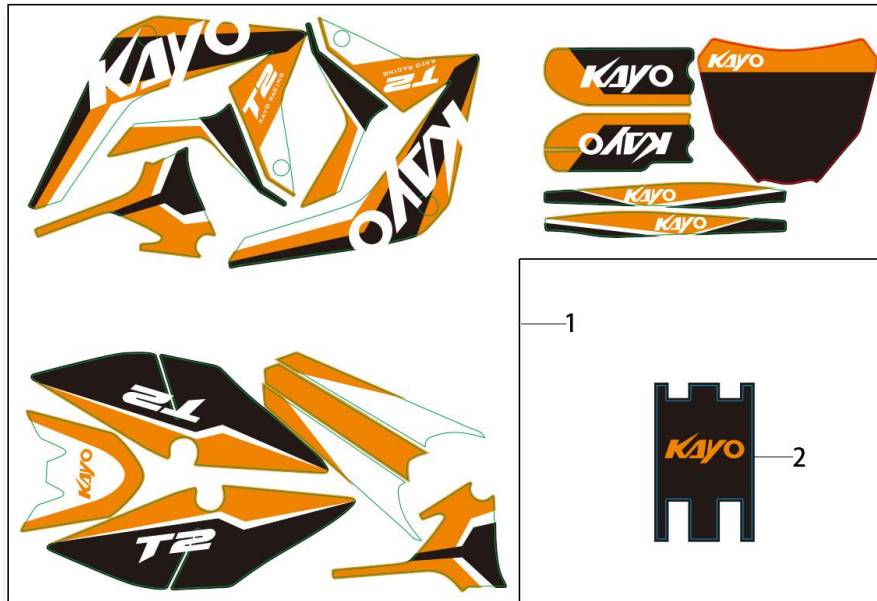
No.	Code	Name	Qty.
1	903012-0007-04	SCREW-TM6*16	1
2	703000-0047-01	REAR FRAME ASSY	1
3	903013-0022-03	SCREW-M8*35	3
4	902001-0164	FLAT BUSHING-Φ8.5*20*H7.8	2
5	903007-0003	FLANGE LOCK NUT M6	1
6	903013-0023-03	SCREW-M8*40	1
7	902001-0189	FLAT BUSHING-Φ8.5*20*H11.5	1

## Plastic Parts Assy



No.	Code	Name	Qty.
1	903018-0003-03	FLANGE BOLT-M6*12	6
2	801010-0012-02	FRONT FENDER	1
3	801010-0015-02	FRONT RIGHT COVER	1
4	801010-0016-02	FRONT RIGHT DECORATING PLATE	1
5	801010-0013-02	FRONT LEFT COVER	1
6	801010-0014-02	FRONT LEFT DECORATING PLATE	1
7	801010-0017-02	REAR LEFT UPPER COVER	1
8	801010-0018-02	REAR LEFT LOWER COVER	1
9	801010-0019-02	REAR RIGHT UPPER COVER	1
10	801010-0020-02	REAR RIGHT LOWER COVER	1
11	801010-0021-02	REAR MIDDLE COVER	1
12	903018-0004-03	FLANGE BOLT-M6*16	2
13	701000-0060-02	SEAT	1
13	701000-0060-03	SEAT	1
14	903012-0006-03	SCREW-M6*12	7
15	903012-0011-03	SCREW-M6*10	4
16	903010-0004-03	SCREW-ST4.2*12	4
17	903002-0001-03	FLAT WASHER-Φ6*12*1.5	4
18	903002-0002-03	FLAT WASHER-Φ6*18*1.5	8
19	908003-0002	RUBBER FLAT WASHER Φ5.5*14.5*2	1
20	555000-0145	FRONT PANEL UPPER BRACKET	1
21	801010-0011	FRONT PANEL	1
22	903008-0024-02	NUT-M4	2
23	801003-0011	CLIP	1
24	903009-0003-03	SCREW-M4*12	2
25	903012-0007-04	SCREW-TM6*16	1
26	902001-0011	FLAT WASHER-Φ8.2*16*H4	1
	C90002-0059	PLASTIC PARTS ASSEMBLY	1

## Sticker



No.	Code	Name	Qty.
1	802010-0177	STICKER	1
1	802010-0183	STICKER	1
1	802010-0183-02	STICKER	1
2	802010-0178	SHEATH COVER	1