

SX50 Parts Catalog

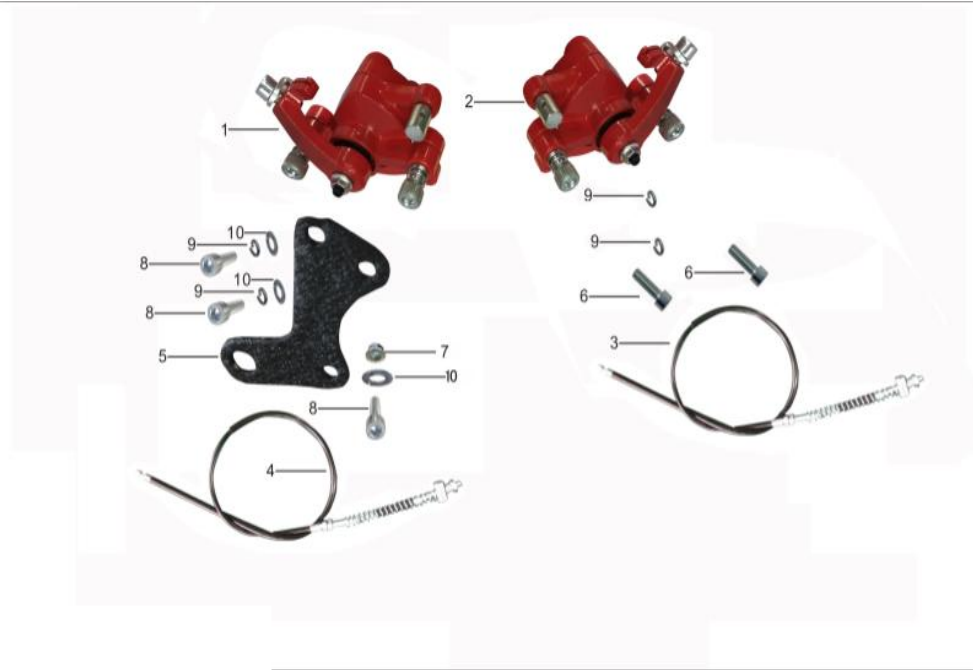


Handlebar Assy



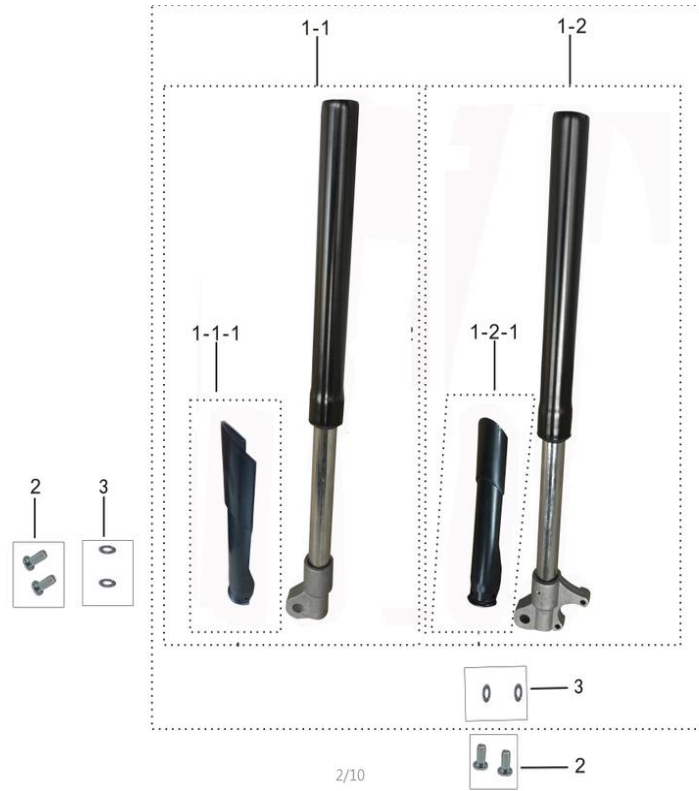
No.	Code	Name	Qty.
1	602001-0017	STEEL HANDLEBAR	1
2	906003-0002	CABLE TIES	1
3	313003-0009	STOP SWITCH	1
4	405002-0008	REAR BRAKE LEVER, LH	1
5	602006-0001	LEFT HANDLEBAR GRIP	1
6	602017-0006-02	HANDLEBAR PAD	1
7	602014-0029	THROTTLE CABLE	1
8	404002-0032	FRONT BRAKE LEVER, RH	1
9	602006-0021	RIGHT HANDLEBAR GRIP	1
10	602011-0006	THROTTLE PERCH	1

Brake Assy



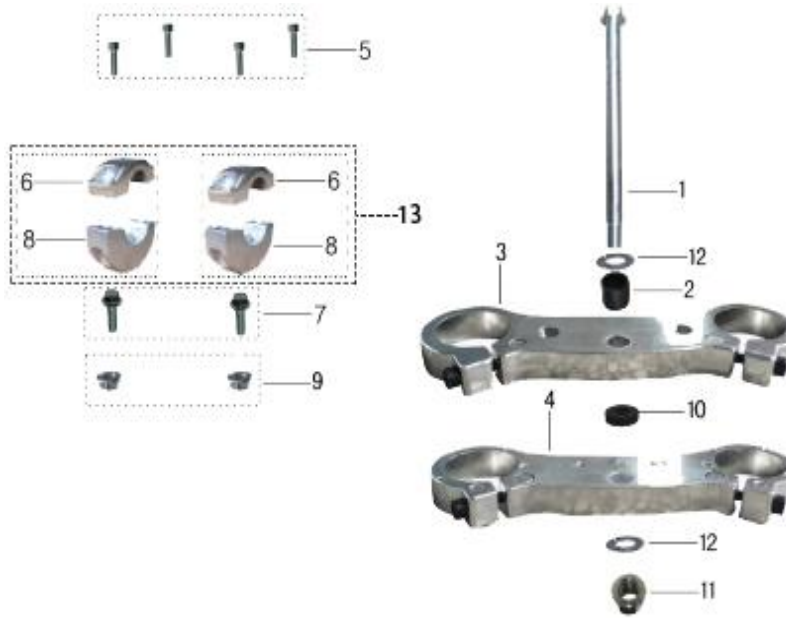
No.	Code	Name	Qty.
1	405007-0012	REAR BRAKE PUMP	1
2	404006-0001	FRONT BRAKE PUMP	1
3	602016-0001	FRONT BRAKE CABLE	1
4	602016-0004	REAR BRAKE CABLE	1
5	555000-0113	REAR BRAKE PUMP BRACKET	1
6	903013-0010	SCREW-M6*25	2
6	903013-0010-02	SCREW-M6*25	2
7	903007-0003	FLANGE LOCKNUT-M6	1
8	903013-0006	SCREW-M6*16	3
8	903013-0006-03	SCREW-M6*16	3
9	903001-0002	SPRING WASHER-Φ6	4
9	903001-0002-03	SPRING WASHER-Φ6	4
10	903002-0001	WASHER-Φ6*12*1.5	3
10	903002-0001-03	WASHER-Φ6*12*1.5	3

Front Shock Assy



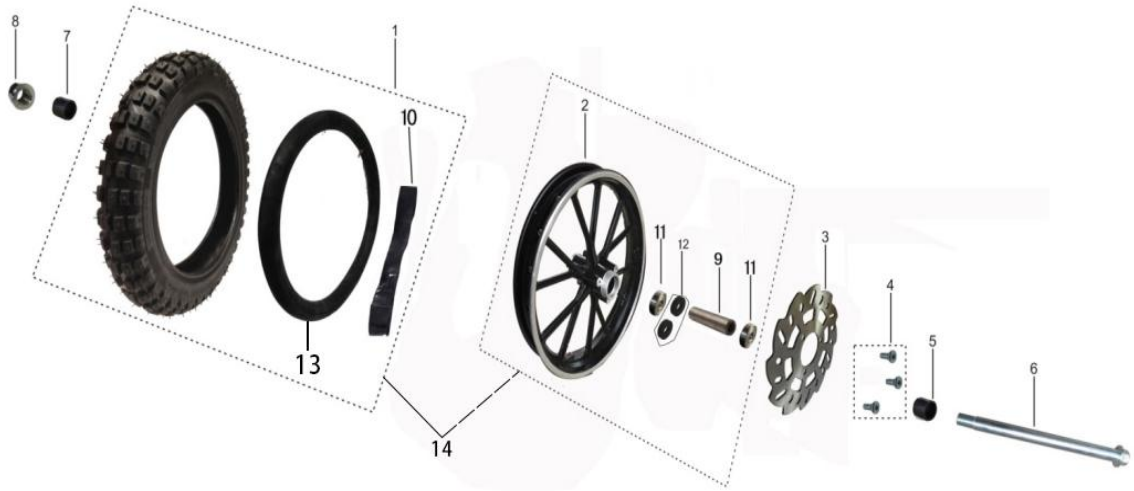
No.	Code	Name	Qty.
1-1	501000-0006	FRONT SHOCK, RH	1
1-1-1	501001-0014	FRONT SHOCK GUARD, RH	1
1-2-1	501001-0013	FRONT SHOCK GUARD, LH	1
1-2	501000-0005	FRONT SHOCK, LH	1
2	903012-0001	SCREW-TM5*10	4
2	903012-0001-03	SCREW-TM5*10	4
3	903002-0001	WASHER-Φ6*12*1.5	4
3	903002-0001-03	WASHER-Φ6*12*1.5	4

Clamps Assy



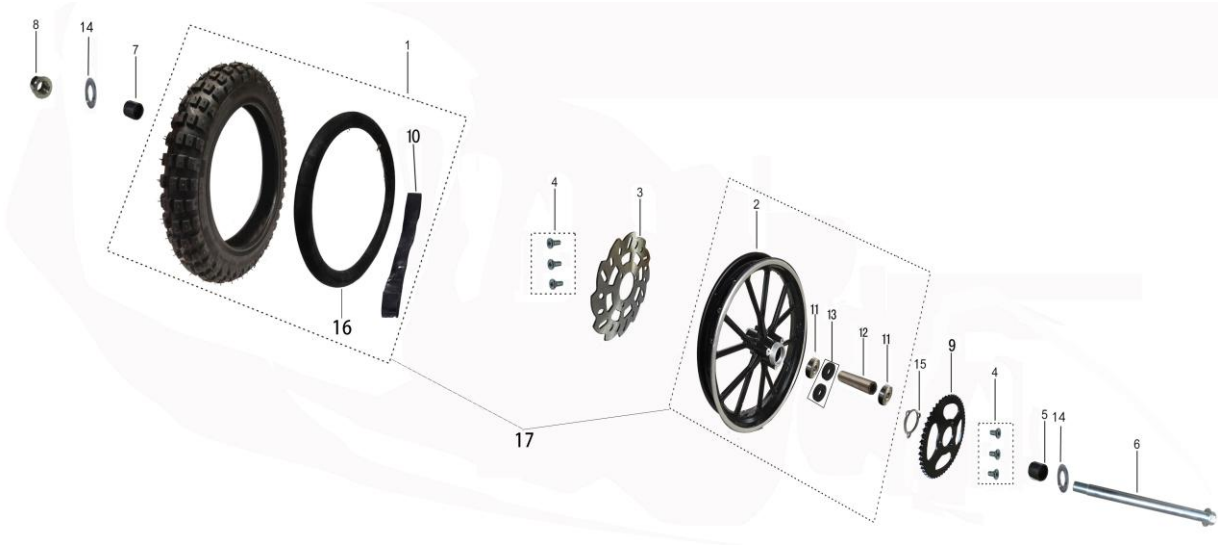
No.	Code	Name	Qty.
1	903018-0037	FLANGE BOLT-M10*150*1.25	1
1	903018-0037-02	FLANGE BOLT-M10*150*1.25	1
2	902001-0038	BUSHING-Φ10.4*13*H82.5	1
2	902001-0038-03	BUSHING-Φ10.4*13*H82.5	1
3	601001-0008	UPPER CLAMP	1
4	601002-0019	LOWER CLAMP	1
5	903013-0020	SCREW-M8*25	4
5	903013-0020-05	SCREW-M8*25	4
6	601003-0003	UPPER RAISER	2
7	903017-0012	BOLT-M10*35*1.5	2
7	903017-0012-02	BOLT-M10*35*1.5 S14	2
8	601004-0004	LOWER RAISER	2
9	903007-0007	FLANGE LOCKNUT-M10*1.5	2
9	903007-0007-03	FLANGE LOCKNUT-M10*1.5	2
10	909010-0004	EVA-Φ13*27*H5	1
11	903007-0006	FLANGE LOCKNUT-M10*1.25	1
11	903007-0006-02	FLANGE LOCKNUT-M10*1.25	1
12	903002-0008	WASHER-Φ10*20*2	2
12	903002-0008-03	WASHER-Φ10*20*2	2
13	C90004-0001	UPPER AND LOWER CLAMPS ASSY	1

Front Wheel Assy



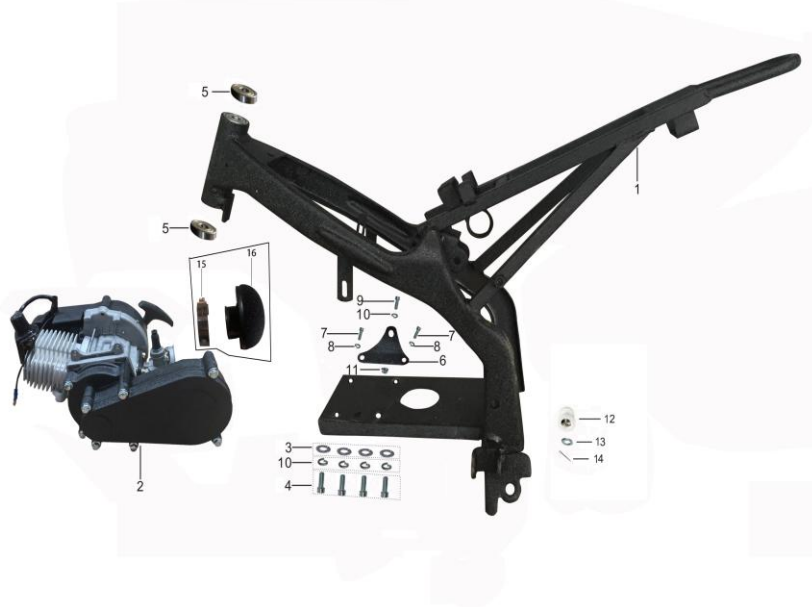
No.	Code	Name	Qty.
1	401005-0001	FRONT TYRE & INNER TUBE ASSY	1
2	401000-0052	FRONT RIM	1
3	404001-0001	FRONT BRAKE DISC - WAVE	1
4	903013-0004	SCREW-M6*12	3
4	903013-0004-02	SCREW-M6*12	3
5	902001-0054	BUSHING-Φ12.4*15*H7	1
5	902001-0054-03	BUSHING-Φ12.4*15*H7	1
6	903018-0042	FLANGE BOLT-M12*165*1.25	1
6	903018-0042-02	FLANGE BOLT-M12*165*1.25	1
7	902001-0097	BUSHING-Φ12.4*15*H10	1
7	902001-0097-03	BUSHING-Φ12.4*15*H10	1
8	903007-0008	FLANGE LOCKNUT-M12*1.25	1
8	903007-0008-02	FLANGE LOCKNUT-M12*1.25	1
9	902001-0056	BUSHING-Φ12.4*15*H76	1
9	902001-0056-03	BUSHING-Φ12.4*15*H76	1
10	401008-0001	INNER TUBE BAND	1
11	907001-0004	BEARING	2
12	909010-0012	EVA- Φ15*25*H5	2
13	401007-0002	INNER TUBE	1
14	C90002-0076	FRONT WHEEL ASSY	1

Rear Wheel Assy



No.	Code	Name	Qty.
1	401005-0001	REAR TYRE & INNER TUBE ASSY	1
2	402000-0059	REAR RIM	1
3	404001-0001	REAR BRAKE DISC- WAVE	1
4	903013-0004	SCREW-M6*12	6
4	903013-0004-02	SCREW-M6*12	6
5	902001-0055	BUSHING-Φ12.4*15*H12	1
5	902001-0055-03	BUSHING-Φ12.4*15*H12	1
6	903018-0041	FLANGE BOLT-M12*145*1.25	1
6	903018-0041-02	FLANGE BOLT-M12*145*1.25	1
7	902001-0054	BUSHING-Φ12.4*15*H7	1
8	903007-0008	FLANGE LOCKNUT-M12*1.25	1
8	903007-0008-02	FLANGE LOCKNUT-M12*1.25	1
9	205001-0025	STEEL REAR SPROCKET	1
10	401008-0001	INNER TUBE BAND	1
11	907001-0004	BEARING	2
12	902001-0057	BUSHING-Φ12.4*16*H80.5	1
12	902001-0057-03	BUSHING-Φ12.4*16*H80.5	1
13	909010-0012	EVA FOAM-Φ15*25*H5	2
14	903002-0010	WASHER- Φ12*24*2	2
14	903002-0010-03	WASHER- Φ12*24*2	2
15	505002-0008	WASHER-Φ37*48*2+3*Φ7	1
16	401007-0002	REAR INNER TUBE	1
17	C90002-0077	REAR WHEEL ASSY	1

Frame Assy



No.	Code	Name	Qty.
1	551000-0085-02	FRAME ASSY	1
2	101000-0621	ENGINE ASSY	1
2	A03000-0010	TG50 ENGINE	1
3	903002-0001	WASHER-Φ6*12*1.5	4
3	903002-0001-03	WASHER-Φ6*12*1.5	4
4	903013-0006	SCREW-M6*16	4
4	903013-0006-03	SCREW-M6*16	4
5	907001-0014	BEARING	2
6	555000-0140	ENGINE HANGER	1
7	903013-0001	SCREW-M5*12	2
7	903013-0001-02	SCREW-M5*12	2
8	903001-0001	SPRING WASHER- Φ5	2
8	903001-0001-02	SPRING WASHER- Φ5	2
9	903015-0003	SCREW-M6*20	1
9	903015-0003-03	SCREW-M6*20	1
10	903001-0002	SPRING WASHER-Φ6	5
10	903001-0002-03	SPRING WASHER-Φ6	5
11	903007-0003	FLANGE LOCKNUT-M6	1
12	203004-0012	CHAIN ROLLER	1
13	903002-0008	WASHER-Φ10*20*2	1
13	903002-0008-03	WASHER-Φ10*20*2	1
14	904002-0002	COTTER PIN- 2.5*24	1
14	904002-0002-03	COTTER PIN- 2.5*24	1
15	906001-0002	CLAMP-Φ35-51	1
16	105000-0022	SPONGE AIR FILTER	1

Swingarm Kit



No.	Code	Name	Qty.
1	553000-0045-02	STEEL SWINGARM	1
2	203003-0003	CHAIN ADJUSTER	2
3	903002-0002	WASHER-Φ6*18*1.5	3
3	903002-0002-03	WASHER-Φ6*18*1.5	3
4	903015-0001	SCREW- M6*10	3
4	903015-0001-02	SCREW- M6*10	3
5	901001-0005	FLANGE AXLE	1
6	203000-0095	CHAIN	1
7	903007-0006	FLANGE LOCKNUT-M10*1.25	1
7	903007-0006-02	FLANGE LOCKNUT-M10*1.25	1
8	801018-0008	CHAIN COVER	1
9	903005-0004	NUT-M6	4
9	903005-0004-03	NUT-M6	4
10	203004-0019	CHAIN SLIDER	1
11	908003-0002	RUBBER FLAT WASHER Φ5.5*14.5*2	3

Rear Shock Assy



No.	Code	Name	Qty.
1	502000-0065	REAR SHOCK	1
2	903015-0001	SCREW- M6*10	2
2	903015-0001-02	SCREW- M6*10	2
3	903020-0045	FLANGE SCREW- Φ 8*28	2

Box combination



No.	Code	Name	Qty.
1	A03010-0020	LEFT BOX BODY	1
2	A03010-0030	RIGHT BOX	1
3	A03010-0080	BOX SEALING GASKET	1
4	A00260-1502	BEARING	2
5	A00283-1503	OIL SEAL	2
6	A00118-0502-34	SCREW M5*30	4
7	A03031-0010	CRANK CONNECTING ROD COMBINATION	1
8	A00420-0301	SEMICIRCLE KEY	1

Magneto



No.	Code	Name	Qty.
1	A03072-0010	IGNITION COIL	1
2	A03071-0012	MAGNETO ROTOR	1
3	A00118-0501-34	SCREW M5*20	2
4	A00160-0602	GROMMET 6.5*18*2	1
5	A00103-0601-84	BOLT M6X16	1
6	A03060-0010-02	HAND PULL STARTER	1
7	A00070-0030	GROUND WIRE	1
8	A00118-0504-34	SCREW M5*25	3

Piston



No.	Code	Name	Qty.
1	A03030-0050	PISTON RING	2
2	A03030-0020	PISTON	1
3	A03030-0030	PISTON PIN	1
4	A00263-1202	NEEDLE BEARING	1
5	A03030-0040	PISTON PIN RETAINER RING	2

Cylinder



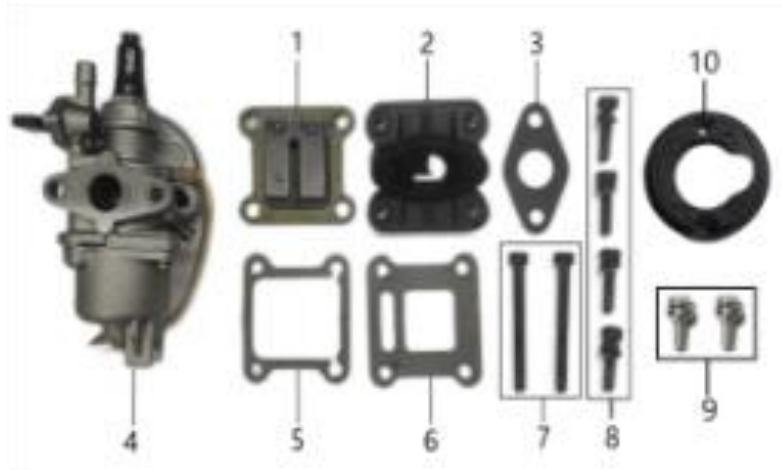
No.	Code	Name	Qty.
1	A03020-0020	CYLINDER	1
2	A03020-0040	CYLINDER SEALING GASKET	1
3	A03020-0060	SPARKING PLUG	1
4	A00118-0602-66	SCREW M6*22	4

Clutch



No.	Code	Name	Qty.
1	A03051-0010	CLUTCH SHOE COMBINATION	1
2	A00103-0613-24	BOLT M6X65	2
3	A00100-0601-24	BOLT M6X30	2
4	A00159-0802-23	NUT M8x1.25	1
5	A00160-0801	GROMMET 8X16X1.6	1
6	A03040-0010	TRANSMISSION CASE	1

Carburetor



No.	Code	Name	Qty.
1	A03080-0010	REED VALVE COMBINATION	1
2	A03080-0040	INTAKE PIPE ASSEMBLY	1
3	A03080-0060	CARBURETOR SEALING GASKET	1
4	A03080-0020	CARBURETOR COMBINATION	1
5	A03080-0050	REED VALVE SEALING GASKET	1
6	A03080-0090	SEALING GASKET FOR INTAKE PIPE	1
7	A00118-0505-34	SCREW M5*55	2
8	A00118-0501-34	SCREW M5*20	4
9	A00124-0401-23	SCREW M4*12	2
10	A03080-0070	AIR FILTER CONNECTOR	1

Sidestand & Footpegs Assy



No.	Code	Name	Qty.
1	506003-0016	LEFT FOOTPEG	2
1-1	407001-0017	FOOTPEG SPRING	2
1-2	904001-0007	HINGE PIN	2
1-3	904002-0001	COTTER PIN- 2*20	2
2	903002-0004	WASHER-Φ8*16*1.5	2
2	903002-0004-03	FLAT WASHER- Φ8*16*1.5	2
3	554000-0005-02	SIDESTAND	1
3-1	407002-0004	SIDESTAND SPRING	1
3-2	903020-0046	BOLT-M10*12*1.25 S17	1

Muffler Assy



No.	Code	Name	Qty.
1	106001-0071	EXHAUST PIPE	1
2	106002-0025	MUFFLER	1
3	903013-0018	SCREW-M8*20	1
3	903013-0018-03	SCREW-M8*20	1
4	903007-0005	FLANGE LOCKNUT-M8	1
5	903013-0006	SCREW-M6*16	2
5	903013-0006-03	SCREW-M6*16	2
6	903001-0002	SPRING WASHER-Φ6	2
6	903001-0002-03	SPRING WASHER-Φ6	2
7	903002-0001	WASHER-Φ6*12*1.5	2
7	903002-0001-03	WASHER-Φ6*12*1.5	2

Fuel Tank Assy



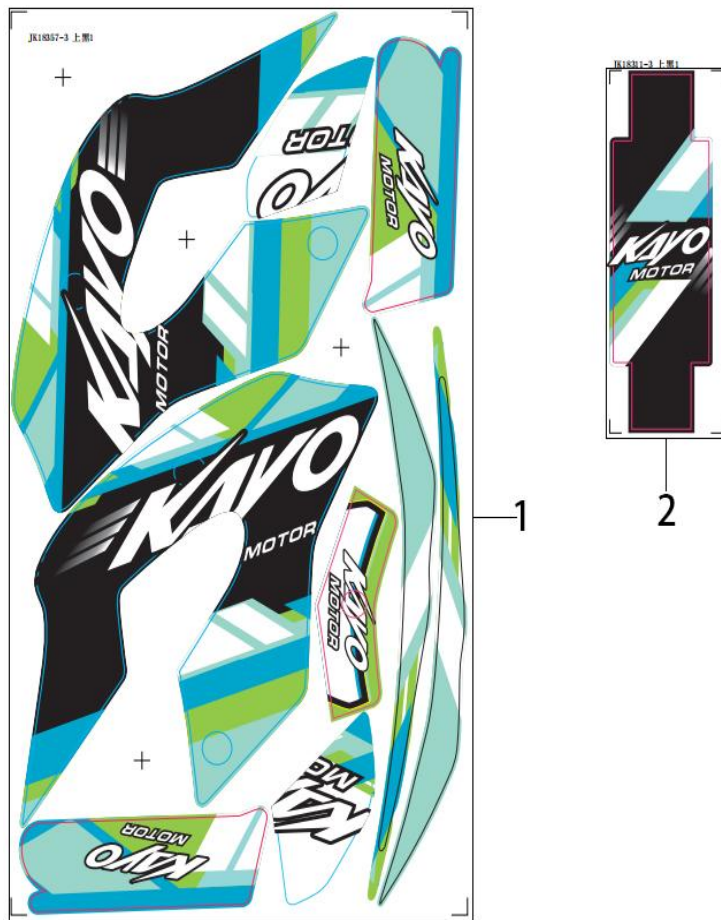
No.	Code	Name	Qty.
1	805001-0018	FUEL TANK	1
1-1	805003-0013	FUEL TANK CAP	1
2	903015-0003	SCREW-M6*20	3
2	903015-0003-03	SCREW-M6*20	3
3	805004-0007	FUEL TANK TAP	1
4	903006-0002	FLANGE LOCKNUT-M6	1
4	903006-0002-03	FLANGE LOCKNUT-M6	1
5	903013-0006	SCREW-M6*16	1
5	903013-0006-03	SCREW-M6*16	1
6	906002-0001	PIPE CLIP-Φ7.5	5
7	108001-0001	FUEL FILTER	1
8	906002-0005	PIPE CLIP-Φ9	1
9	903002-0002	WASHER-Φ6*18*1.5	3
9	903002-0002-03	WASHER-Φ6*18*1.5	3
10	903012-0011	SCREW-TM6*10	2
10	903012-0011-03	SCREW-TM6*10	2

Plastic Assy



No.	Code	Name	Qty.
1	701000-0032	SEAT ASSY	1
2	801018-0002-06	FRONT FENDER	1
3	801018-0001-06	FRONT PLATE	1
4	801018-0004-06	RIGHT FRONT PANEL	1
5	801018-0003-06	LEFT FRONT PANEL	1
6	801018-0006	RIGHT REAR PANEL	1
7	801018-0005	LEFT REAR PANEL	1
8	801018-0007-06	REAR PANEL	1
9	903012-0011	SCREW-TM6*10	4
9	903012-0011-03	SCREW-TM6*10	4
10	903012-0012	SCREW-TM6*8	4
10	903012-0012-02	SCREW-TM6*8	4
11	903006-0002	NUT-M6	1
11	903006-0002-03	NUT-M6	1
12	555000-0139	FRONT PLATE BRACKET	1
13	903015-0001	SCREW- M6*10	10
13	903015-0001-02	SCREW- M6*10	10
14	903009-0006-02	SCREW-M5*16 Φ10	2
14	903009-0006-03	SCREW-M5*16 Φ10	2
15	903002-0002	WASHER-Φ6*18*1.5	1
15	903002-0002-03	WASHER-Φ6*18*1.5	1
	C90002-0049	PLASTIC KIT	1

Sticker



No.	Code	Name	Qty.
1	802017-0016	STICKER	1
1	802017-0014	STICKER	1
1	802017-0014-02	STICKER	1
2	802017-0017	HANDLEBAR PAD COVER	1
2	802017-0015	HANDLEBAR PAD COVER	1