

S70 Parts Catalog



Steering Wheel Kit



No.	Code	Model	Name	Qty.
1	908007-0068		STEERING WHEEL DUST COVER	1
2	903013-0004		SCREW-M6*12	3
2	903013-0004-02		SCREW-M6*12	3
3	602001-0022	eS70	STEERING WHEEL	1
3	602001-0022-02		STEERING WHEEL	1
4	603004-0008	eS70	STEERING WHEEL MOUNTING BASE	1
4	603004-0008-02		STEERING WHEEL MOUNTING BASE	1
5	903019-0016-02		FLANGE BOLT-M8*30	1
5	903019-0016-03	ATV	FLANGE BOLT-M8*30	1
6	903007-0004-02	ATV	SELF-LOCKING NUT-M8	4
6	903007-0005	ATV	SELF-LOCKING NUT-M8	4
7	603004-0005	eS70	STEERING COLUMN MOUNTING BASE	2
7	603004-0005-03		STEERING COLUMN MOUNTING BASE	1
8	903018-0055	S70	FLANGE BOLT-M5*20	2
8	903018-0055-02	ATV	FLANGE BOLT-M5*20	2
9	903005-0002		NUT-M5	2
9	903005-0002-02	ATV	NUT-M5	2
10	566000-0021	eS70	STEERING COLUMN	1

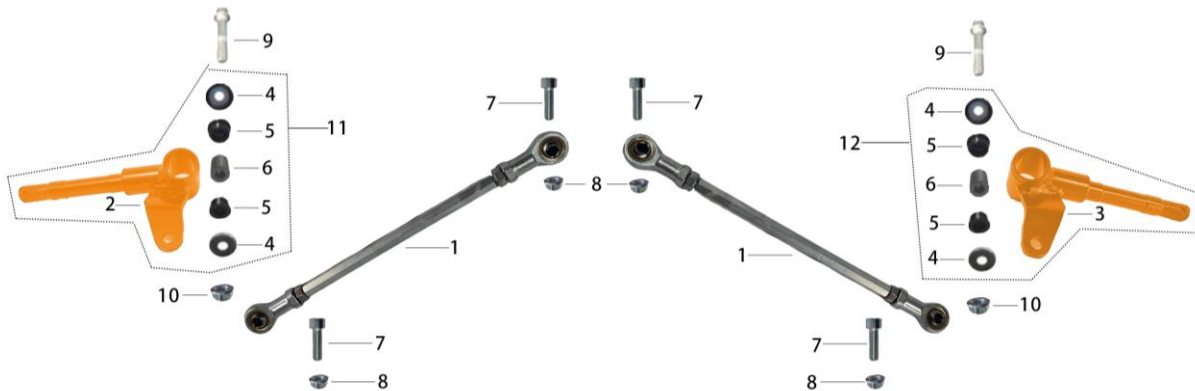
10	566000-0021-02		STEERING COLUMN	1
11	903018-0014		FLANGE BOLT-M8*50	2
11	903018-0014-02	ATV	FLANGE BOLT-M8*50	2
12	603004-0006	eS70	STEERING COLUMN BUSHING	1
12	603004-0006-02		STEERING COLUMN BUSHING	1
12	603004-0006-03		STEERING COLUMN BUSHING	1
13	603004-0007	eS70	STEERING COLUMN FIXING BUSHING	1
13	603004-0007-02		STEERING COLUMN FIXING BUSHING	1
13	603004-0007-03		STEERING COLUMN FIXING BUSHING	1
14	903018-0011		FLANGE BOLT-M8*35	1
14	903018-0011-02	ATV	FLANGE BOLT-M8*35	1
15	603004-0005-04		STEERING COLUMN MOUNTING BASE	1

Pedal Assy



No.	Code	Model	Name	Qty.
1	405000-0128	S70	REAR BRAKE ASSY.	1
1-1	405009-0030	S70	REAR BRAKE BRACKET	1
1-2	405008-0023	S70	REAR BRAKE PAD	1
2	903019-0006		FLANGE BOLT-M6*25	2
2	903019-0006-02	ATV	FLANGE BOLT-M6*25	2
3	903007-0002-02	ATV	SELF-LOCKING NUT-M6	2
3	903007-0002-03	ATV	SELF-LOCKING NUT-M6	2
4	903018-0004-02		FLANGE BOLT-M6*16	1
4	903018-0004-03	ATV	FLANGE BOLT-M6*16	1
5	903019-0011-02	ATV	FLANGE BOLT-M8*12	2
5	903019-0011-03	ATV	FLANGE BOLT-M8*12	2
6	903001-0003	ATV	SPRING WASHER-Φ8*13*2	2
6	903001-0003-02	ATV	SPRING WASHER-Φ8*13*2	2

Steering Kit



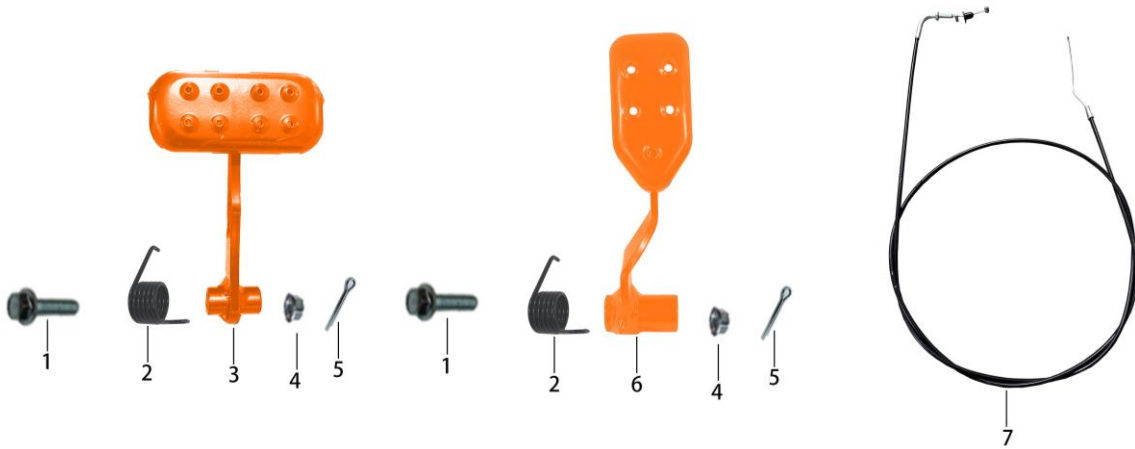
No.	Code	Model	Name	Qty.
1	603001-0031	eS70	STEERING PULL ROD	2
2	603002-0032-02	S70	RIGHT STEERING KNOT	1
2	603002-0049-02		RIGHT STEERING KNOT	1
3	603002-0031-02	S70	LEFT STEERING KNOT	1
3	603002-0048-02		LEFT STEERING KNOT	1
4	908007-0006	AY70	SEAL COVER	4
5	902002-0029	AY70	BUSHING	4
6	902001-0039	A250	LINED PIPE	2
7	903013-0021-02	ATV	SCREW-M8*30	4
7	903013-0021-03	ATV	SCREW-M8*30	4
8	903007-0004-02	ATV	SELF-LOCKING NUT-M8	4
8	903007-0005	ATV	SELF-LOCKING NUT-M8	4
9	903019-0021	ATV	FLANGE BOLT-M10*80*1.25	4
9	903019-0021-02	ATV	FLANGE BOLT-M10*80*1.25	2
10	903007-0006		SELF-LOCKING NUT-M10*1.25	2
10	903007-0006-02		SELF-LOCKING NUT-M10*1.25	2
11			RIGHT STEERING KNOT ASSY.	2
11	C90004-0140		RIGHT STEERING KNOT ASSY.	1
12			LEFT STEERING KNOT ASSY.	1
12	C90004-0139		LEFT STEERING KNOT ASSY.	1

Front Wheel Assy



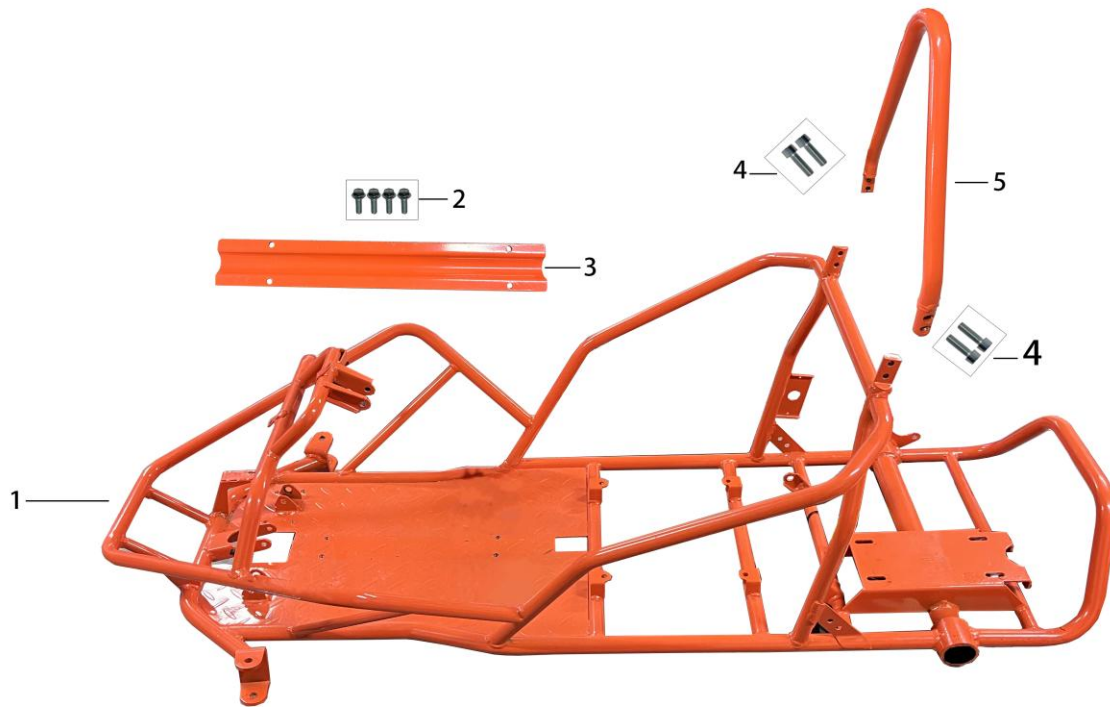
No.	Code	Model	Name	Qty.
1	907001-0008	ATV	BEARING	4
2	401000-0092	S70	FRONT RIM	2
3	401006-0053	eS70	FRONT TIRE	2
4	902001-0150	eS70	BUSHING	2
5	505002-0013	eS70	DUST COVER GASKET	2
6	903002-0022	eS70	FLAT WASHER-Φ14.3*24*2	2
6	903002-0022-02	eS70	FLAT WASHER-Φ14.3*24*2	2
7	903008-0011	ATV	NUT-M14*1.5*H18	2
7	903008-0011-02	ATV	NUT-M14*1.5*H18	2
8	904002-0006-02	ATV	COTTER PIN	2
8	904002-0006-03	ATV	COTTER PIN	2
9	401011-0001	AY70	HUB COVER	2
10	C90004-0200	S70	FRONT LEFT AND RIGHT WHEEL ASSEMBLY	1

Pedal Assy



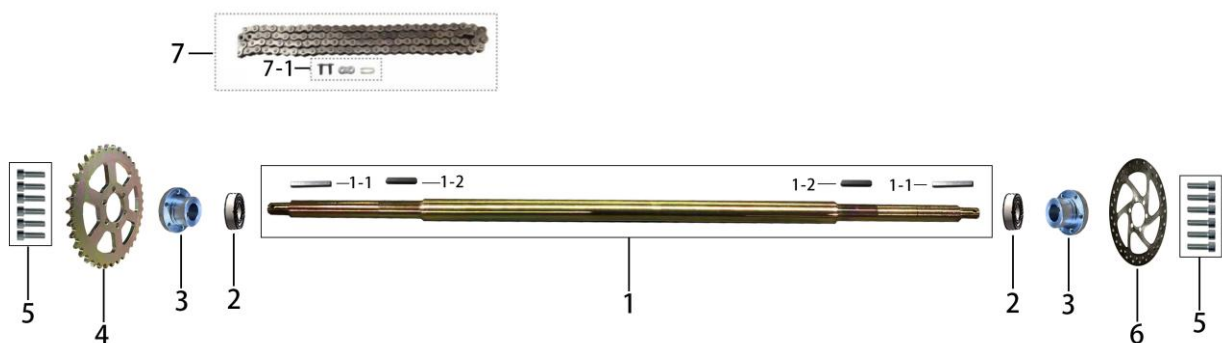
No.	Code	Model	Name	Qty.
1	904001-0006	S70	HINGE PIN	2
1	903018-0034-02		SCREW-M10*50	2
2	407001-0015	eS70	FOOTREST SPRING	2
2	407001-0015-02		FOOTREST SPRING	2
3	406001-0042-02	S70	BRAKE PEDAL	1
3	406001-0049-01		BRAKE PEDAL	1
4	903002-0008-02	ATV	FLAT WASHER-Φ10*20*2	2
4	903002-0008-03	ATV	FLAT WASHER-Φ10*20*2	2
4	903007-0006-02		SELF-LOCKING NUT-M10*1.25	2
5	904002-0004-02	ATV	COTTER PIN	2
5	904002-0004-03	ATV	COTTER PIN	2
6	567000-0025-01	S70	THROTTLE PEDAL	1
6	567000-0047-01		THROTTLE PEDAL	1
7	602016-0020	S70	CABLE ACCELERATOR	1

Frame Assy



No.	Code	Model	Name	Qty.
1	561000-0063-01	S70	FRAME	1
1	561000-0118-01		FRAME	1
1	561000-0153-01		FRAME	1
2	903018-0003-02	ATV	FLANGE BOLT-M6*12	4
2	903018-0003-03	ATV	FLANGE BOLT-M6*12	4
3	568000-0127-02	S70	WIRE COVER PLATE	1
3	568000-0127-04		WIRE COVER PLATE	1
4	903013-0017-02	ATV	SCREW-M8*16	4
4	903013-0017-03	ATV	SCREW-M8*16	4
5	705000-0009-02	S70	REAR GUARD ASSY	1

Rear Axle Kit



No.	Code	Model	Name	Qty.
1	505001-0021	eS70	REAR WHEEL AXLE	1
1-1	505002-0014	S70	FLAT KEY	2
1-2	505002-0015	S70	FLAT KEY	2
2	907001-0033		BEARING	2
3	205003-0009	eS70	REAR SPROCKET BAS	2
4	205001-0043	S70	REAR SPROCKET	1
5	903013-0006		SCREW-M6*16	12
5	903013-0006-03	ATV	SCREW-M6*16	12
6	405001-0025	eS70	REAR BRAKE DISC	1
7	203000-0109	S70	CHAIN	1
7-1	203001-0010	S70	CHAIN CONNECTOR	1

Rear Wheel Assy



No.	Code	Model	Name	Qty.
1	902001-0151	eS70	BUSHING	2
2	402000-0100	S70	REAR RIM	2
3	401006-0053	eS70	FRONT TIRE	2
4	505002-0013	eS70	DUST COVER GASKET	2
5	903008-0011	ATV	NUT-M14*1.5*H18	2
5	903008-0011-02	ATV	NUT-M14*1.5*H18	2
6	904002-0006-02	ATV	COTTER PIN	2
6	904002-0006-03	ATV	COTTER PIN	2
7	401011-0001	AY70	HUB COVER	2
8	C90004-0201	S70	REAR LEFT AND RIGHT WHEEL ASSEMBLY	2

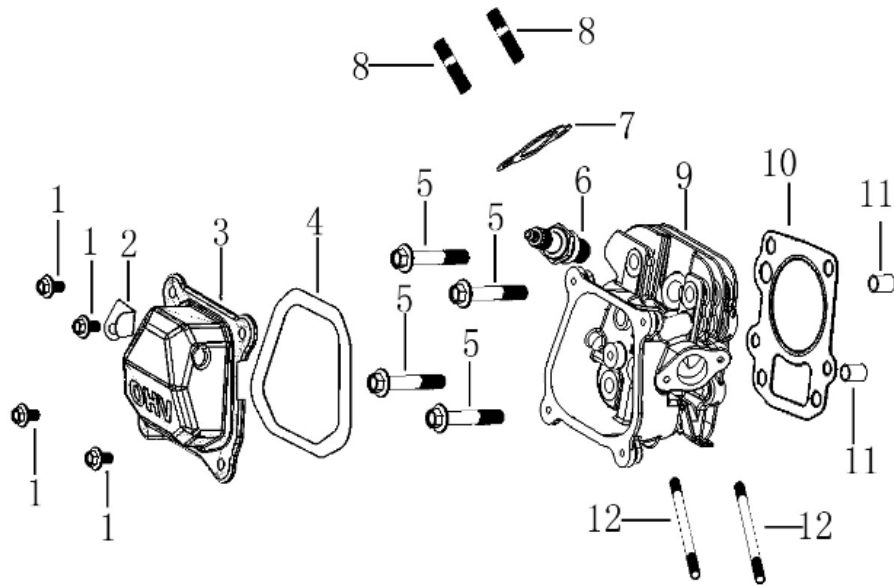
Engine



No.	Code	Model	Name	Qty.
1	101000-0615	S70	ENGINE ASSY	1
2	903019-0014-02	ATV	FLANGE BOLT-M8*25	6
2	903019-0014-03	ATV	FLANGE BOLT-M8*25	6
3	903007-0004-02	ATV	SELF-LOCKING NUT-M8	6
3	903007-0005		SELF-LOCKING NUT-M8	6
4	903019-0013-02	ATV	FLANGE BOLT-M8*20	5
4	903019-0013-03	ATV	FLANGE BOLT-M8*20	5
5	568000-0102-01	S70	SPROCKET ADJUSTMENT PLATE	1
5	568000-0102-0202		SPROCKET ADJUSTMENT PLATE	1
6	903001-0003	ATV	SPRING WASHER-Φ8*13*2	5
6	903001-0003-02	ATV	SPRING WASHER-Φ8*13*2	5
7	903002-0004-02	ATV	FLAT WASHER-Φ8*16*1.5	5
7	903002-0004-03	ATV	FLAT WASHER-Φ8*16*1.5	5
8	903016-0004	S70	SCREW-M6*14	4
8	903016-0004-02	ATV	SCREW-M6*14	4
9	205001-0044	S70	REAR SPROCKET	1
10	205001-0045	S70	REAR SPROCKET	1
11	203000-0108	S70	CHAIN	1
12	203004-0053	S70	CHAIN GUARD	1
13	903019-0006		FLANGE BOLT-M6*25	2
13	903019-0007		FLANGE BOLT-M6*25	2

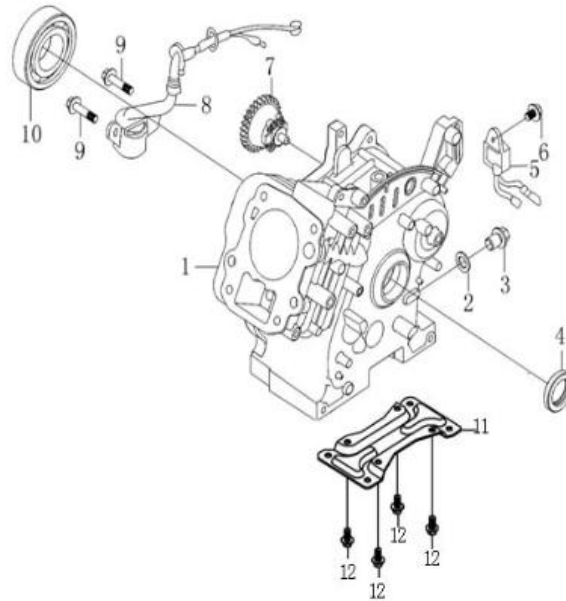
14	903007-0002-02	ATV	SELF-LOCKING NUT-M6	1
14	903007-0002-03	ATV	SELF-LOCKING NUT-M6	3
15	568000-0151	S70	CONNECTOR 4	1
15	568000-0151-02		CONNECTOR 4	1
16	568000-0132	S70	CONNECTOR 3	1
17	101002-0011	S70	CLUTH	1
18	903001-0002-02		SPRING WASHER-Φ6	1
18	903001-0002-03	ATV	SPRING WASHER-Φ6	1
19	903002-0002-02	ATV	FLAT WASHER-Φ6*18*1.5	1
19	903002-0002-03	ATV	FLAT WASHER-Φ6*18*1.5	1
20	203003-0008	AY70-2	CHAIN ADJUSTER	2
21	903005-0007-02	ATV	NUT-M8	4
21	903005-0006-02		NUT-M8	4
22	902001-0149	S70	BUSHING	1
23	903019-0004		FLANGE BOLT-M6*16	2
24	568000-0178		CHAIN PROTECTOR BRACKET 2	1
25	903002-0018		FLAT WASHER-Φ8*20*2	1

CYLINDER HEAD



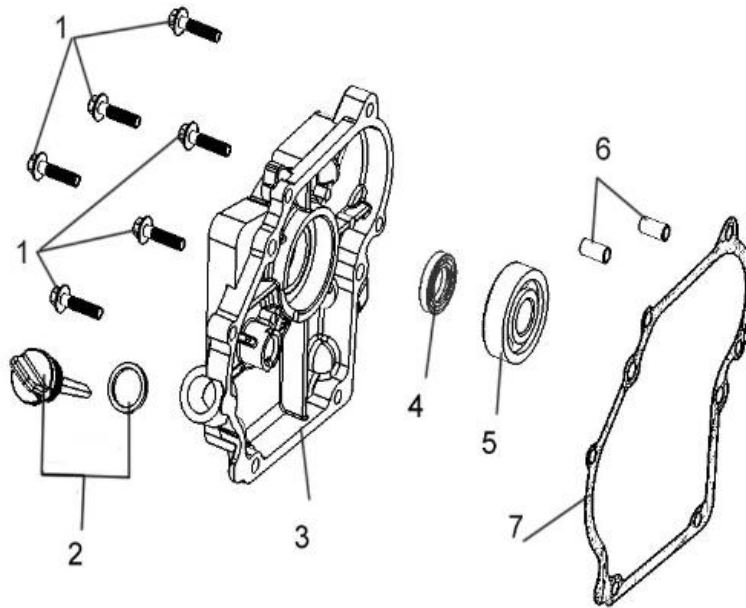
No.	Code	Name	Qty.
1	101044-0073	HEXAGON BOLT WITH FLANGE	4
2	101044-0097	CABLE CLEAT	1
3	101044-0009	CYLINDER HEAD COVER ASSY	1
4	101044-0010	GASKET FOR CYLINDER HEAD COVER	1
5	101044-0075	HEXAGON BOLT WITH FLANGE	4
6	101044-0060	SPARK PLUG	1
7	101044-0054	OUTLET GASKET	1
8	101044-0078	STUD	2
9	101044-0007	CYLINDER HEAD	1
10	101044-0008	GASKET FOR CYLINDER HEAD	1
11	101044-0086	LOCATION PIN	2
12	101044-0077	STUD	2

CRANK CASE



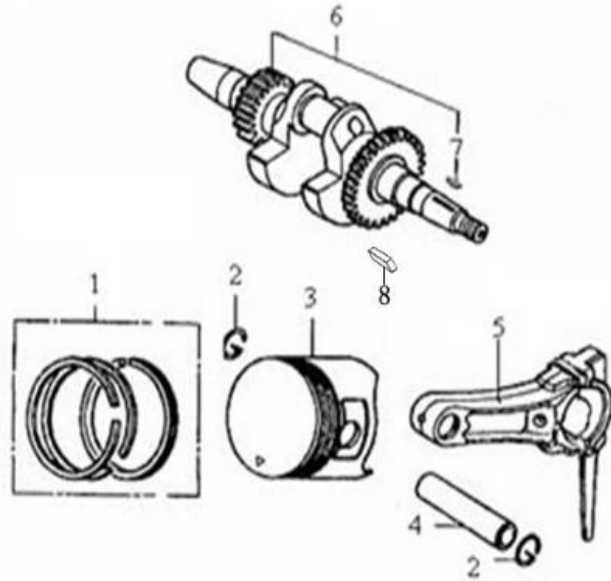
No.	Code	Name	Qty.
1	101044-0004	CRANKCASE BODY	1
2	101044-0083	FLAT WASHER	1
3	101044-0001	SEALING PLUG SCREW	1
4	101044-0092	OIL SEAL	1
5	101044-0063	ENGINE OIL PROTECTOR	1
6	101044-0065	HEXAGON BOLT WITH FLANGE	1
7	101044-0042	COMPONENTS OF GOVERNOR GEAR	1
8	101044-0062	OIL LEVEL SENSOR	1
9	101044-0073	HEXAGON BOLT WITH FLANGE	2
10	101044-0090	BEARING	1
11	101044-0003	ENGINE BASE	1
12	101044-0069	HEXAGON BOLT WITH FLANGE	4

CRANK CASE COVER



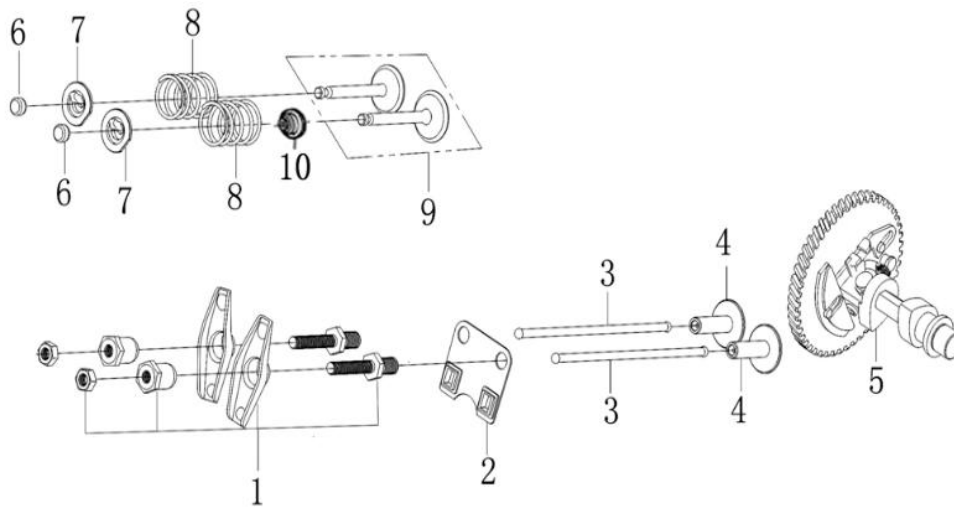
No.	Code	Name	Qty.
1	101044-0071	HEXAGON BOLT WITH FLANGE	6
2	101044-0002	OIL RULE COMBINATION	1
3	101044-0005	CRANKCASE COVER	1
4	101044-0092	OIL SEAL	1
5	101044-0091	BEARING	1
6	101044-0086	OCATION PIN	2
7	101044-0006	CRANKCASE COVER GASKET	1

CRANKSHAFT/PISTON/CONNECTING ROD



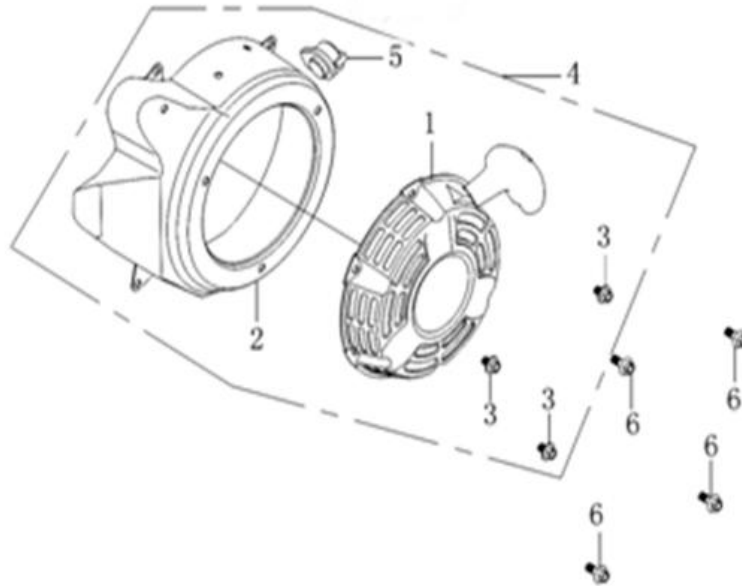
No.	Code	Name	Qty.
1	101044-0013	PISTON RING COMBINATION	1
2	101044-0084	STEEL CABLE BAFFLE RING	2
3	101044-0011	PISTON	1
4	101044-0012	PISTON PIN	1
5	101044-0014	CONNECTING ROD	1
6	101044-0015	CRANKSHAFT	1
7	101044-0088	KEY	1
8	101044-0089	KEY	1

GAS DISTRIBUTION ADJUSTMENT



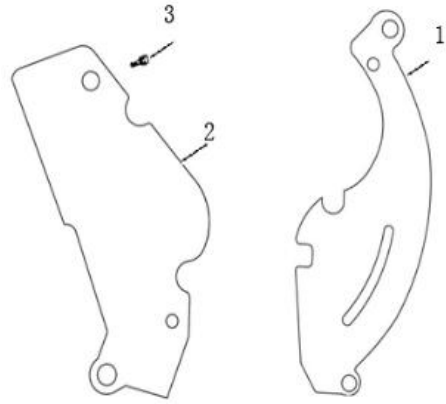
No.	Code	Name	Qty.
1	101044-0022	VALVE ROCKER COMBINATION	2
2	101044-0025	PLATE, PUSH ROD GUIDE	1
3	101044-0023	PUSH ROD	2
4	101044-0024	LIFTER, VALVE	2
5	101044-0017	CAMSHAFT ASSY	1
6	101044-0018	VALVE ADJUSTMENT CAP	2
7	101044-0020	RETAINER, VALVE SPRING	2
8	101044-0019	INNER SPRING OF VALVE	2
9	101044-0016	VALVE KIT	1
10	101044-0021	VALVE OIL SEAL	1

STARTER SUBASSEMBLY



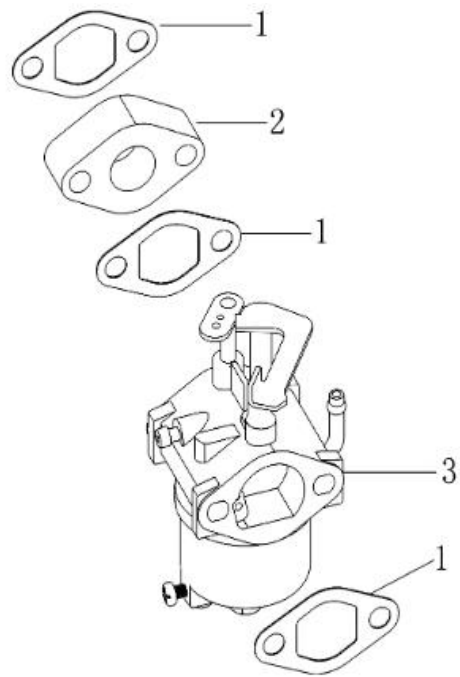
No.	Code	Name	Qty.
1	101044-0056	MANUAL STARTING COMPONENTS	1
2	101044-0030	FAN COVER COMP.	1
3	101044-0076	HEXAGON BOLT WITH FLANGE	3
4	101044-0055	MANUAL STARTING ASSEMBLY	1
5	101044-0061	STOP SWITCH	1
6	101044-0066	HEXAGON BOLT WITH FLANGE	4

DIVERSION ASSY



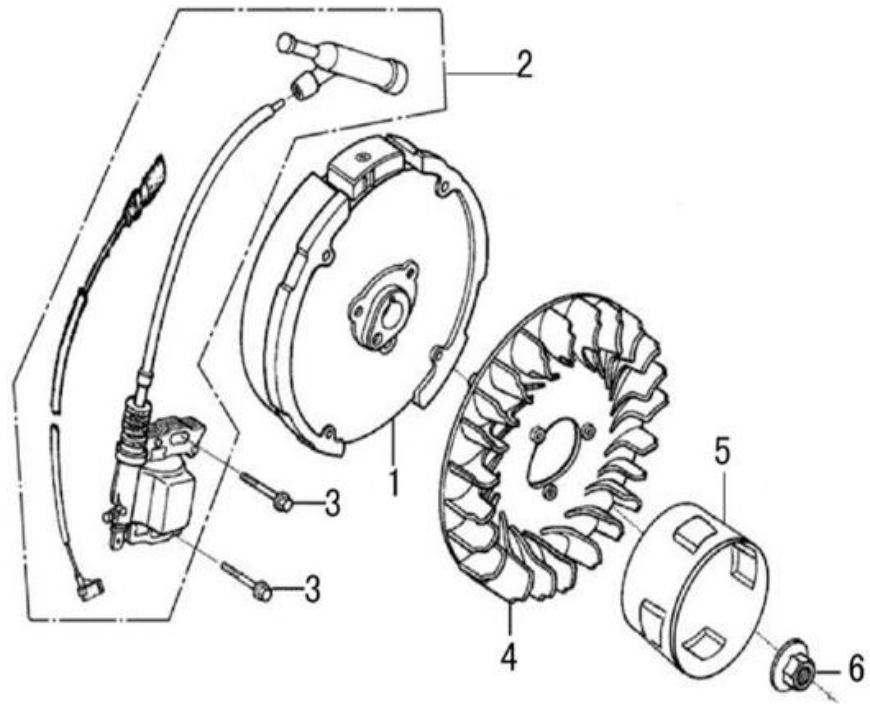
No.	Code	Name	Qty.
1	101044-0029	SIDE PLATE	1
2	101044-0028	SIDE PLATE	1
3	101044-0066	HEXAGON BOLT WITH FLANGE	1

CARBURETOR



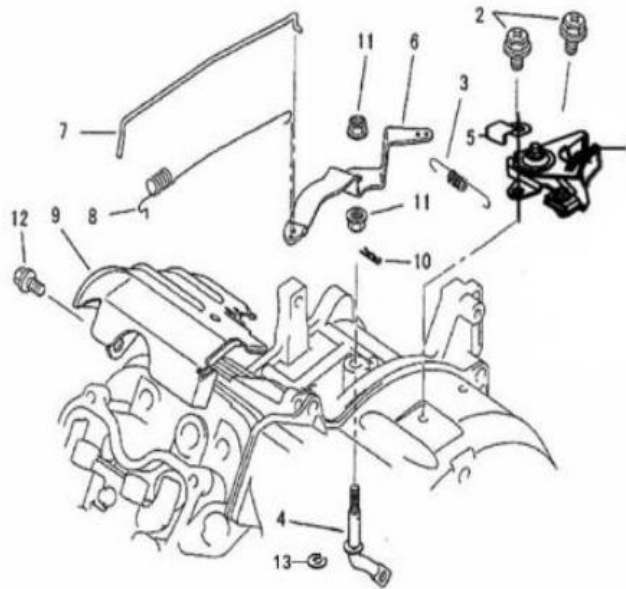
No.	Code	Name	Qty.
1	101044-0032	CARBURETOR GASKET	3
2	101044-0033	HEAT INSULATING PAD FOR CARBURETOR	1
3	101044-0031	CARBURETOR	1

FLYWHEEL/IGNITION COMP



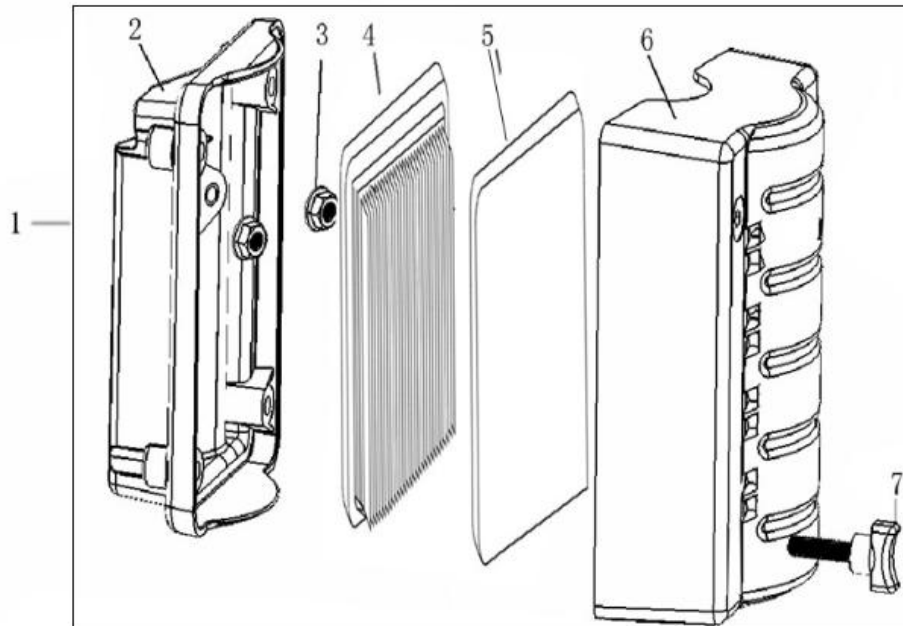
No.	Code	Name	Qty.
1	101044-0058	FLYWHEEL COMP	1
2	101044-0059	COIL ASSY., IGNNTION	1
3	101044-0071	HEXAGON BOLT WITH FLANGE	2
4	101044-0026	IMPELLER	1
5	101044-0057	STARTING DISC	1
6	101044-0081	HEXAGON NUT WITH FLANGE	1

CONTROL SYSTEM



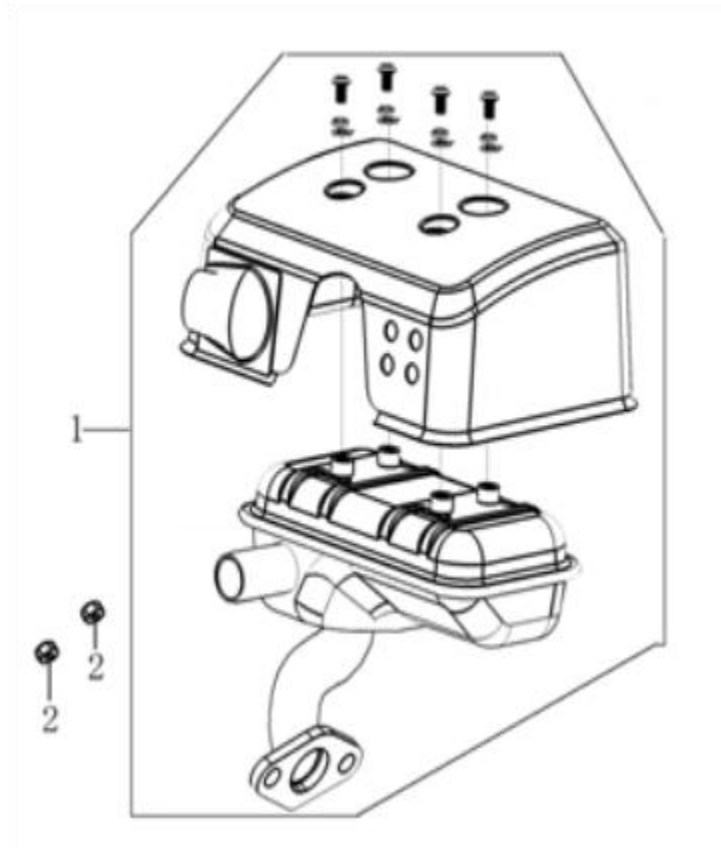
No.	Code	Name	Qty.
1	101044-0046	THROTTLE HANDLE COMBINATION	1
2	101044-0070	HEXAGON BOLT WITH FLANGE	2
3	101044-0044	GOVERNING SPRING	1
4	101044-0041	SPEED REGULATING ARM	1
5	101044-0098	CABLE CLEAT	1
6	101044-0043	SPEED REGULATING BRACKET	1
7	101044-0040	THROTTLE ROD	1
8	101044-0045	THROTTLE RETURN SPRING	1
9	101044-0027	AIR DEFLECTOR	1
10	101044-0100	PIN CLIP	1
11	101044-0082	HEXAGON NUT WITH FLANGE	2
12	101044-0066	HEXAGON BOLT WITH FLANGE	1
13	101044-0085	SPLIT DAMPING RING	1

AIR CLEANER



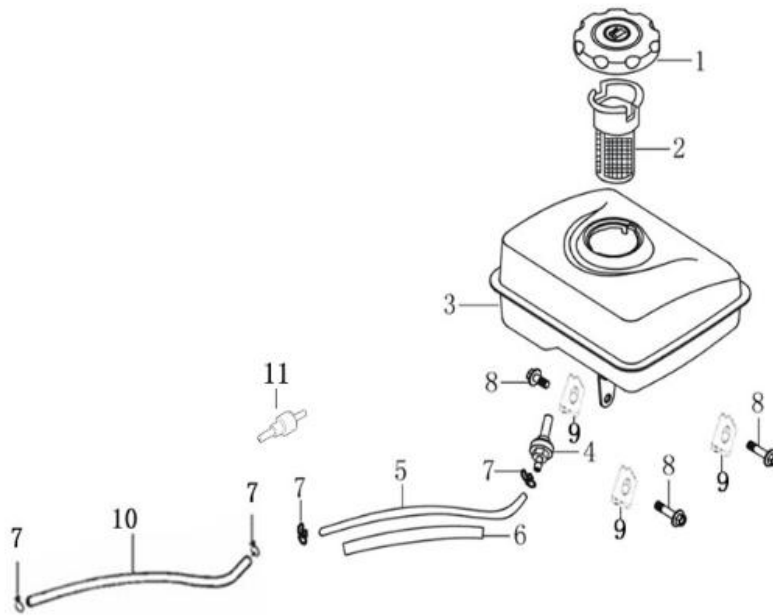
No.	Code	Name	Qty.
1	101044-0047	AIR FILTER	1
2	101044-0052	AIR FILTER SEAT	1
3	101044-0080	HEXAGON NUT WITH FLANGE	2
4	101044-0049	AIR FILTER ELEMENT	1
5	101044-0050	AIR FILTER ELEMENT	1
6	101044-0048	AIR FILTER CASING COVER	1
7	101044-0051	LOCK BOLT FOR AIR FILTER COVER	1

MUFFLER



No.	Code	Name	Qty.
1	101044-0053	MUFFLER	1
2	101044-0079	HEXAGON NUT	2

FUEL TANK



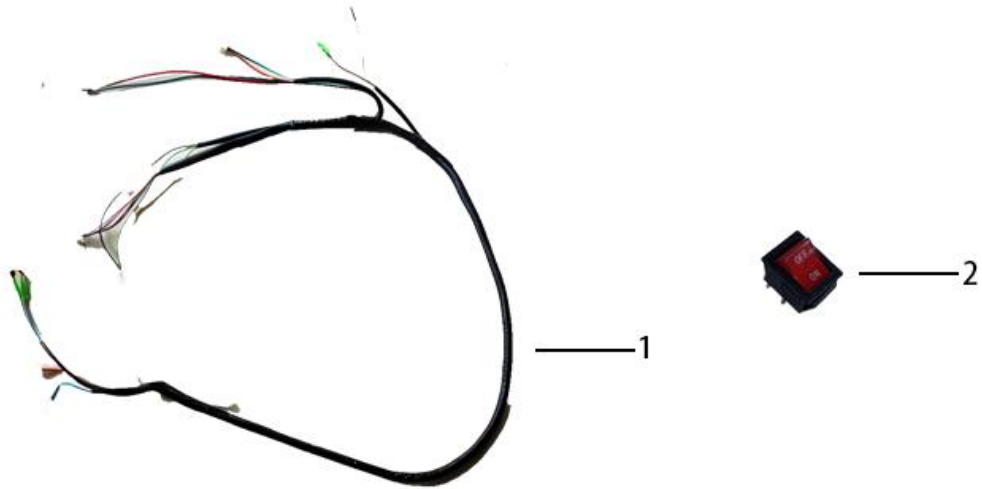
No.	Code	Name	Qty.
1	101044-0035	TANK COVER	1
2	101044-0038	POURING ORIFICE FILTER SCREEN COMBINATION	1
3	101044-0034	TANK	1
4	101044-0036	TANK OILOUT	1
5	101044-0094	OIL TUBE	1
6	101044-0096	PROTECTIVE SLEEVE	1
7	101044-0099	PIPE CLIP	4
8	101044-0064	HEXAGON SHAFT SHOULDER BOLT	3
9	101044-0037	TANK DAMPING CUSHION	3
10	101044-0095	OIL TUBE	1
11	101044-0039	CHECK VALVE BODY	1

Seat Assy



No.	Code	Model	Name	Qty.
1	701000-0052	eS70	SEAT	1
2	568000-0147	eS70	SEAT SLIDE RAIL LEFT ASSY	1
3	568000-0148	eS70	SEAT SLIDE RAIL RIGHT ASSY	1
4	903013-0021-02	ATV	SCREW-M8*30	4
4	903013-0021-03	ATV	SCREW-M8*30	4
5	903002-0004-02	ATV	FLAT WASHER-Φ8*16*1.5	4
5	903002-0004-03	ATV	FLAT WASHER-Φ8*16*1.5	4
6	903007-0004-02	ATV	SELF-LOCKING NUT-M8	8
6	903007-0005	ATV	SELF-LOCKING NUT-M8	8
7	909011-0052	eS70	SAFE BELT	1
8	903019-0012-02	ATV	FLANGE BOLT-M8*16	4
8	903019-0012-03	ATV	FLANGE BOLT-M8*16	4

Electric Components



No.	Code	Model	Name	Qty.
1	309001-0146	S70	MAIN CABLE	1
1	309001-0146-02		MAIN CABLE	1
2	313003-0016	S70	STOP SWITCH	1

Plastic Cover & Sticker



No.	Code	Model	Name	Qty.
1	801003-0002-02		FRONT PANEL	1
2	903016-0004	S70	SCREW-M6*14	2
2	903016-0004-02	ATV	SCREW-M6*14	2
3	903007-0002-02	ATV	SELF-LOCKING NUT-M6	2
3	903007-0002-03	ATV	SELF-LOCKING NUT-M6	2
4	804019-0053	S70	STICKER	1
5	909011-0059	S70	RIGHT PAULIN	1
5	909011-0059-02		RIGHT PAULIN	1
6	909011-0058	S70	LEFT PAULIN	1
6	909011-0058-02		LEFT PAULI	1
7	909011-0057	S70	FRONT PAULIN	1
7	909011-0057-03		FRONT PAULIN	1
8	804019-0062	S70	WARNING LABEL	1