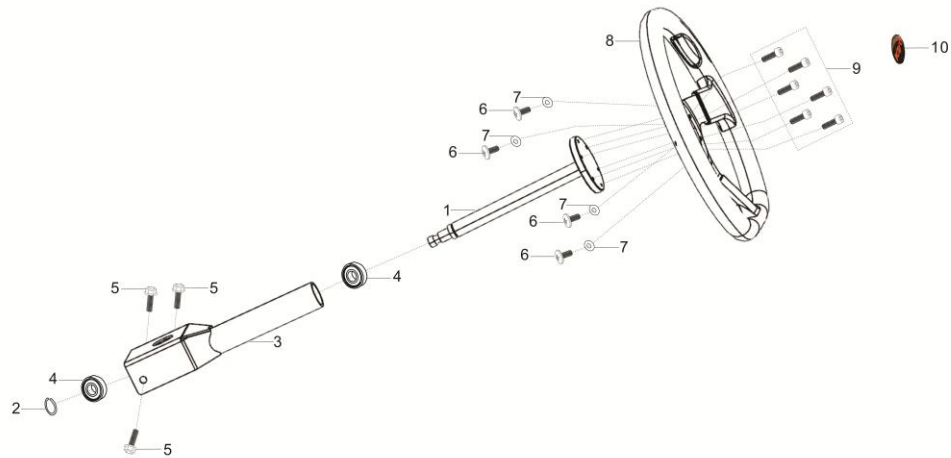


S350 Parts Catalog

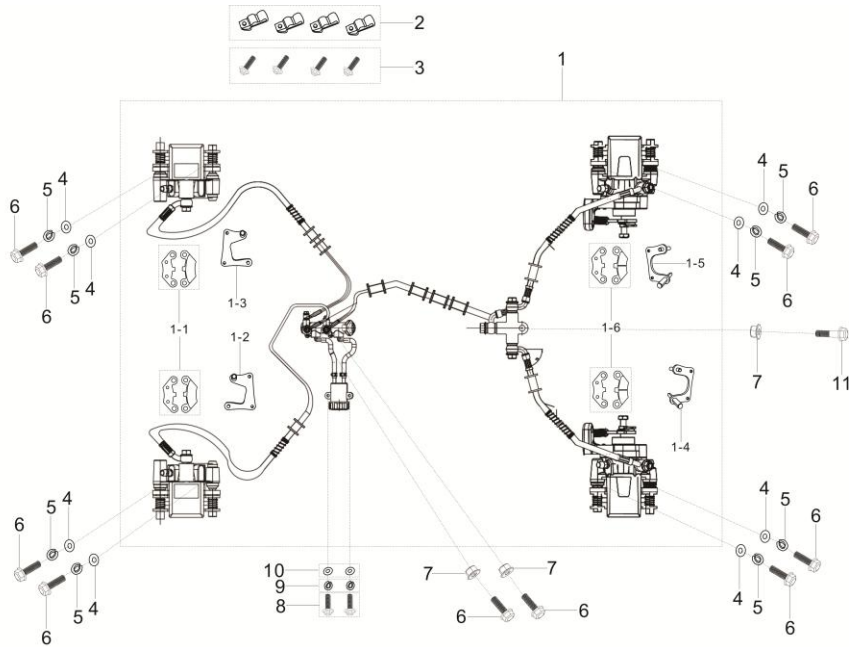


Steering Wheel Kit



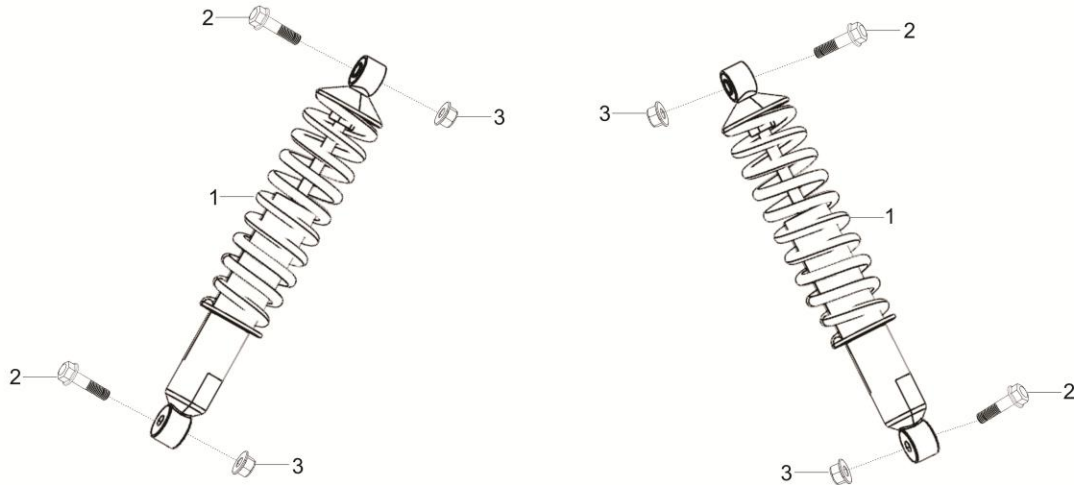
No.	Code	Model	Name	Qty.
1	603004-0019	S350	STEERING WHEEL MOUNT	1
2	903004-0010	S200	CIRCLIP	1
3	568000-0112-01	S200	STEERING COLUMN BASE-BLACK	1
4	907001-0039	S200	BEARING	2
5	903019-0012-06	ATV	FLANGE BOLT - M8*16	3
6	903020-0055	ATV	BOLT - M6*16	4
7	908003-0002		FLAT WASHER, RUBBER- Φ 5.5*14.5*2	8
8	602001-0023	S200	STEERING WHEEL ASSY.	1
9	903013-0006-06	ATV	SCREW - M6*16	6
10	804019-0058	S200	WHEEL LOGO	1

Brake Assy



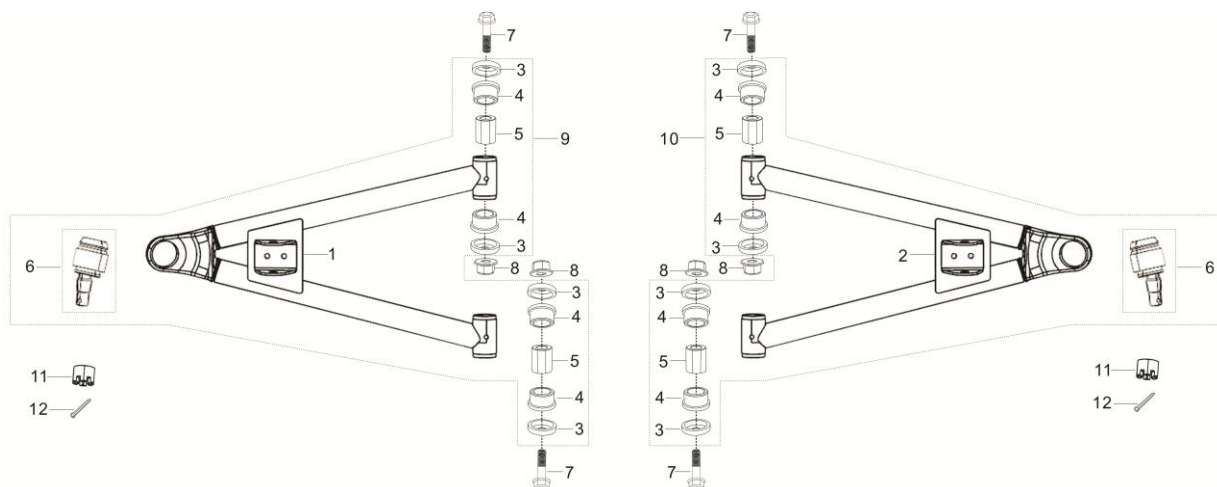
No.	Code	Model	Name	Qty.
1	404000-0208-02	S350	BRAKE ASSY.	1
1-1	404007-0029	S200	FRONT BRAKE PAD	2
1-2	404008-0026	S200	FRONT BRAKE BRACKET, LEFT SIDE	1
1-3	404008-0026-02	S200	FRONT BRAKE BRACKET, RIGHT SIDE	1
1-4	405009-0037	S200	REAR BRAKE BRACKET, LEFT SIDE	1
1-5	405009-0038	S200	REAR BRAKE BRACKET, RIGHT SIDE	1
1-6	405008-0024	S200	REAR BRAKE PAD	2
2	405010-0002	TD	REAR BRAKE OIL PIPE CLIP	4
3	903018-0003-06	ATV	FLANGE BOLT - M6*12	4
4	903002-0005-03	ATV	FLAT WASHER - $\Phi 8*28*1.5$	8
5	903001-0003-06	ATV	SPRING BUSHER- $\Phi 8*13*2$	8
6	903001-0003-06	ATV	FLANGE BOLT-M8*25	10
7	903019-0014-03		SELF-LOCKING NUT-M8	3
8	903007-0005	ATV	FLANGE BOLT - M6*20	2
9	903018-0005-06	ATV	SPRING BUSHER- $\Phi 6$	2
10	903001-0002-06	ATV	FLAT WASHER - $\Phi 6*18*1.5$	2
11	903002-0002-06	ATV	FLANGE BOLT-M8*35	1

Front Shock Assy



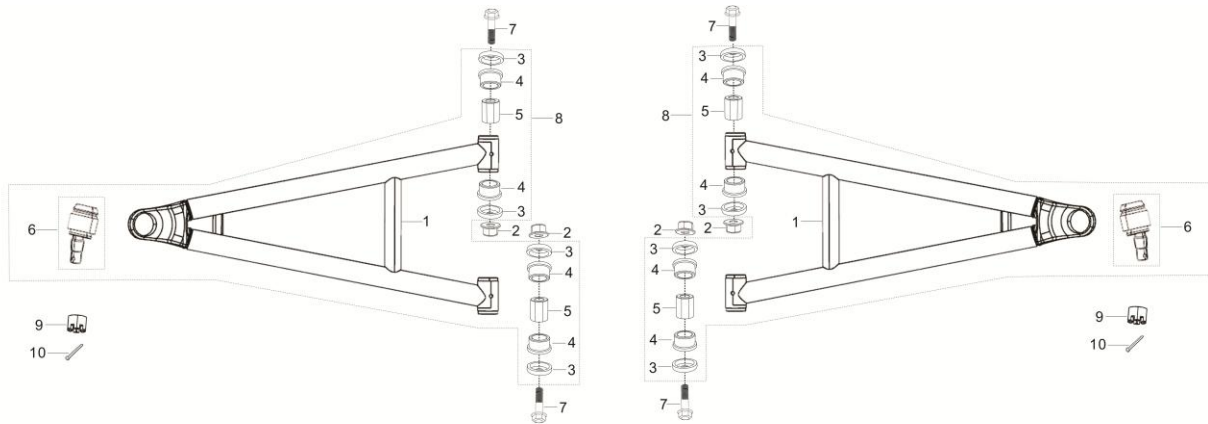
No.	Code	Model	Name	Qty.
1	603001-0044	S350	STEERING COLUMN KIT	1
2	903018-0062-06	eS50	FLANGE BOLT - M12*40*1.25	2
3	903007-0008-02	ATV	SELF-LOCKING NUT- M12*1.25	2
4	603001-0043	S350	STEERING GEAR ASSY.	1
4-1	603005-0018		STEERING GEAR KIT. - steering gear*1/dust cover*2/ belt*2/CLAMP*2/Retractable rod assy.*1	1
4-1-1	603005-0021		DUST COVER - $\varnothing 38 \times \varnothing 11 \times 126$	2
4-2	603005-0019		STEERING LINKAGES	2
4-3	603005-0020		ROD BALL	2

Front Upper Swing Arm Assy



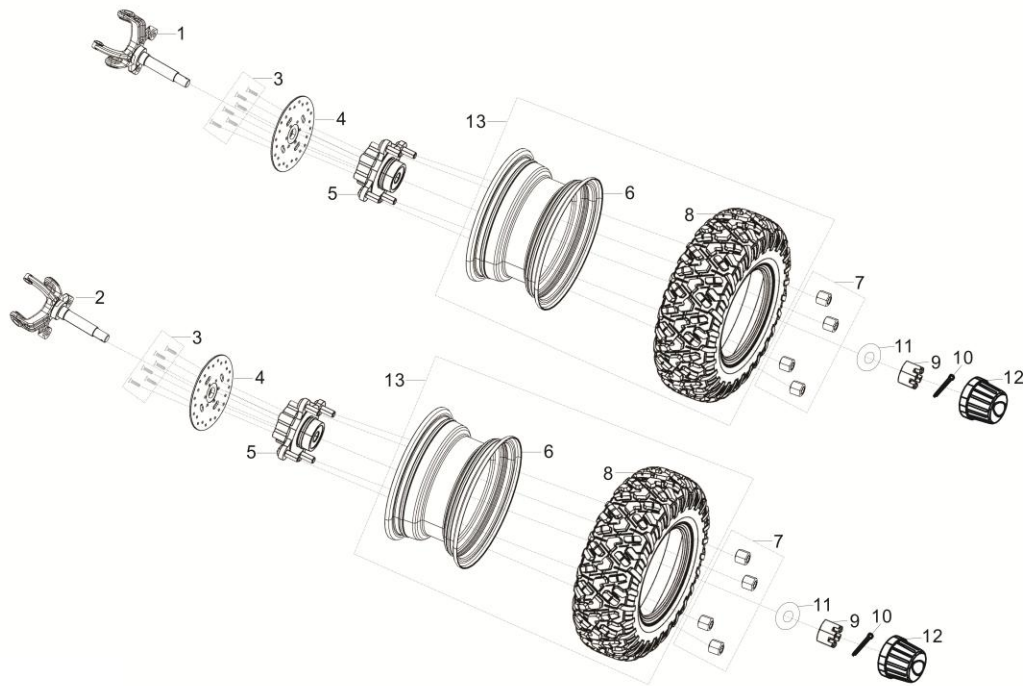
No.	Code	Model	Name	Qty.
1	565000-0106-02	S350	LEFT FRONT ROCKER ARM	1
2	565000-0107-02	S350	RIGHT FRONT ROCKER ARM	1
3	908007-0006-02	AY70	RUBBER SEAL COVER	8
4	902002-0038	A250	BUFFERED BUSH	8
5	902001-0153	S200	FLAT BUSH	4
6	603003-0013		LINKAGE BALL HEAD-UPPER	2
6	603003-0021		LINKAGE BALL HEAD-UPPER	2
7	903019-0021-02	ATV	FLANGE BOLT-M10*80*1.25	4
8	903007-0006-06	ATV	SELF-LOCKING NUT - M10*1.25	4
9	C90004-0261		FRONT UPPER SWING ARM ASSY.- LEFT SIDE-ORANGE	1
10	C90004-0262		FRONT UPPER SWING ARM ASSY. - RIGHT SIDE-ORANGE	1
11	903008-0009-02	ATV	SLOTTED NUT-M10*1.25	2
12	904002-0002-03	ATV	COTTER PIN	2

Front Lower Swing Arm Assy



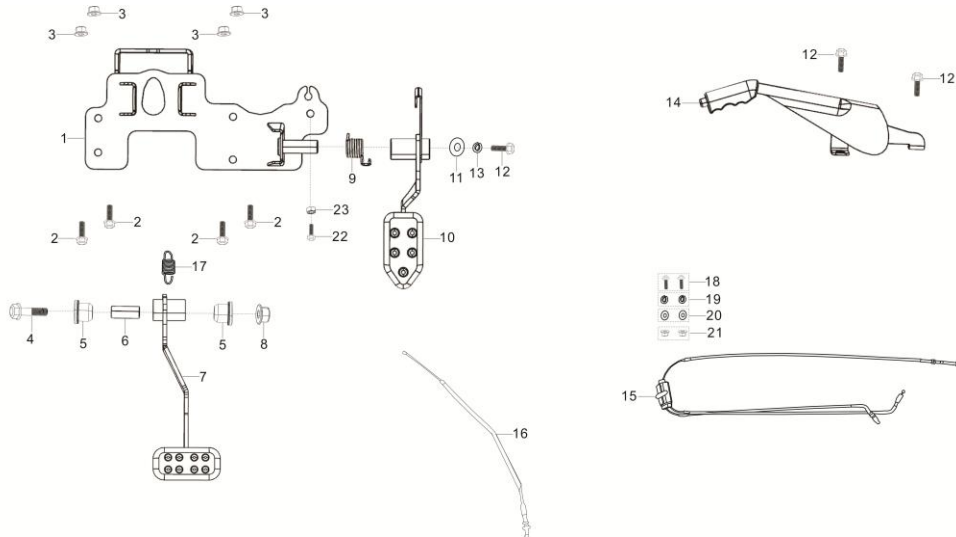
No.	Code	Model	Name	Qty.
1	565000-0108-02	S350	FRONT LOWER ROCKER ARM	2
2	903007-0006-06	ATV	SELFLOCKING NUT - M10*1.25	4
3	908007-0006-02	AY70	RUBBER SEAL COVER	8
4	902002-0038	A250	BUSHING	8
5	902001-0153	S200	BUSHING	4
6	603003-0013		LINKAGE BALL HEAD-UPPER	2
6	603003-0021		LINKAGE BALL HEAD-UPPER	2
7	903019-0021-02	ATV	FLANGE BOLT- M10*80*1.25	4
8	C90004-0263	S200	FRONT LOWER SWING ARM ASSY.-ORANG	2
9	903008-0009-02	ATV	SLOTTED NUT-M10*1.25	2
10	904002-0002-03	ATV	COTTER PIN	2

Front Wheel Assy



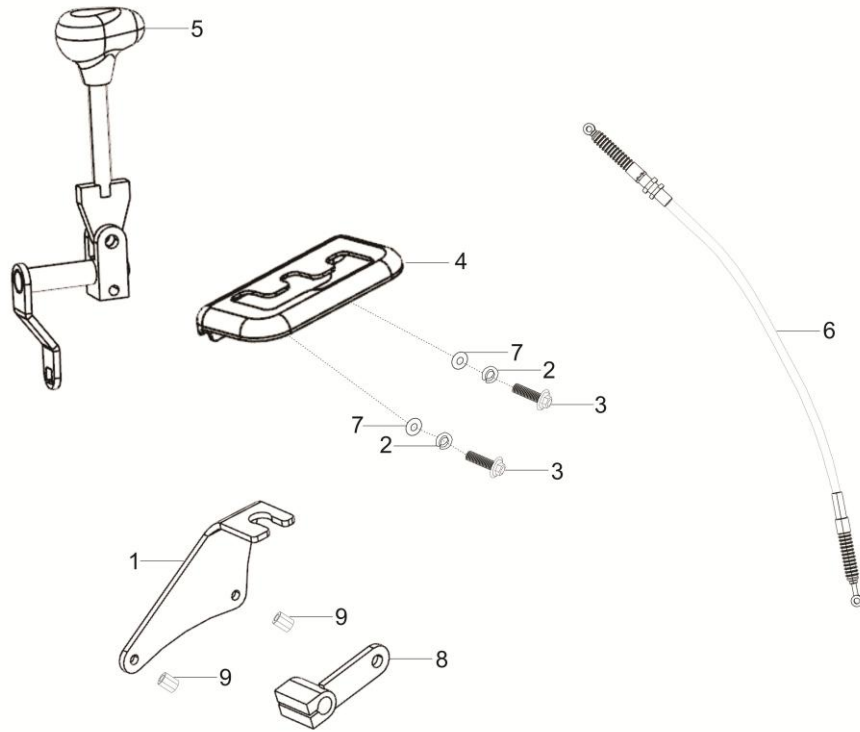
No.	Code	Model	Name	Qty.
1	603002-0052	S350	LEFT FRONT KNUCKLE	1
2	603002-0053	S350	RIGHT FRONT KNUCKLE	1
3	903014-0001-06	ATV	SCREW - M6*16	12
4	404001-0027	S200	FRONT BRAKE DISC	2
5	401003-0024	S350	FRONT HUB KIT	2
6	401000-0117	S350	FRONT RIM	2
7	903008-0033	AU180	NUT-M10*1.25 60°	8
8	401006-0066	S350	FROM WHEEL OUTER TYRE	2
9	903008-0030-02	ATV	SLOTTED NUT- M16*1.5*H18	2
10	904002-0003-04	TD	COTTER PIN	2
11	505002-0002	AU200	FLAT WASHER-Φ16.5*53*2	2
12	908007-0003	ATV	RUBBER COVER	2
13	C90004-0264	S200	LEFT FRONT WHEEL ASSY.	1

Pedal & Hand Brake Assy.



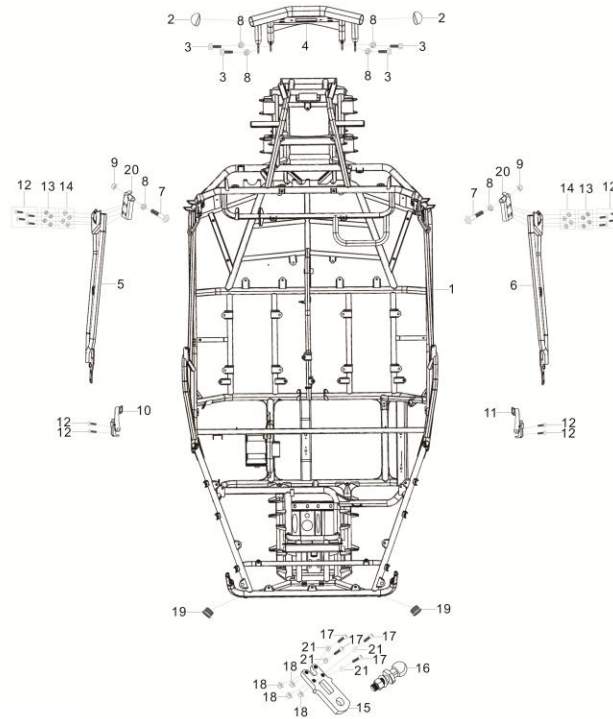
No.	Code	Model	Name	Qty.
1	567000-0048-0002		FOOTPEG MOUNT BASE-BLACK	1
2	903019-0013-06	ATV	FLANGE BOLT - M8*20	4
3	903007-0005	ATV	SELF-LOCKING NUT-M8	4
4	903018-0035-02		FLANGE BOLT-M10*70*1.25	1
5	902002-0029	AY70	BUSHING	2
6	902001-0155	S200	BUSHING	1
7	567000-0037-01		BRAKE PEDAL-BLACK	1
8	903007-0006-06	ATV	SELFLOCKING NUT - M10*1.25	1
9	407001-0016	S200	THROTTLE SPRING	1
10	567000-0038-01		THROTTLE FOOT PEDAL-BLACK	1
11	903002-0005-03	ATV	FLAT WASHER-Φ8*28*1.5	1
12	903019-0012-06	ATV	FLANGE BOLT - M8*16	3
13	903001-0003-06	ATV	SPRING BUSHER - Φ8*13*2	1
14	201001-0005	S200	HAND BRAKE	1
15	602016-0026	S200	HAND BRAKE CABLE	1
16	602014-0054	S350	THROTTLE CABLE	1
17	407003-0001	K6	REAR BRAKE SPRING	1
18	903018-0005-06	ATV	FLANGE BOLT M6*20	2
19	903001-0002-06	ATV	SPRING BUSHER - Φ6	2
20	903002-0001-06	ATV	FLAT WASHER - Φ6*12*1.5	2
21	903007-0003		SELFLOCKING NUT- M6	2
22	903019-0010-06		FLANGE BOLT - M6*35	1
23	903005-0004-06	ATV	HEX NUT - M6	1

Gear Shift Assy



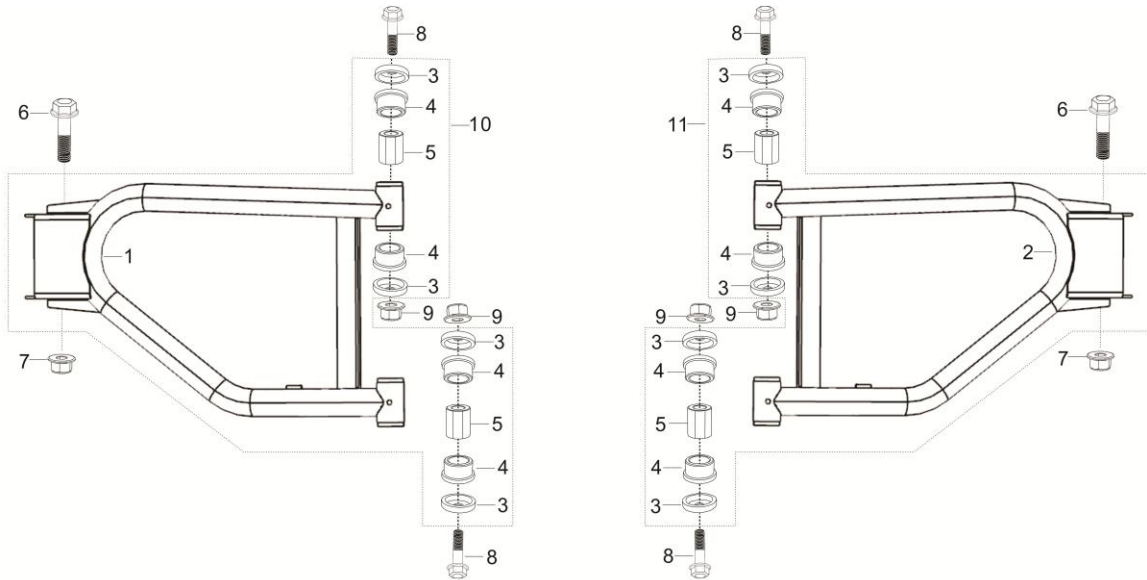
No.	Code	Model	Name	Qty.
1	568000-0228	S350	GEAR SHIFT BRACKET KIT	1
2	903001-0002-06	ATV	SPRING BUSHER - $\Phi 6$	2
3	903018-0004-06	ATV	FLANGE BOLT - M6*16	2
4	568000-0174	S200	GEAR SHIFT LEVER HOLDER-BLACK	1
5	201001-0003-02		GEAR SHIFT LEVER ASSY.	1
6	602016-0032	S350	GEAR SHIFT WIRE	1
7	903002-0002-06	ATV	FLAT WASHER - $\Phi 6*18*1.5$	2
8	201001-0004	S200	GEAR PADDLE	1
9	902001-0192	S350	FLAT BUSH - $\Phi 16*\Phi 8.5*L8MM$	2

Frame Assy



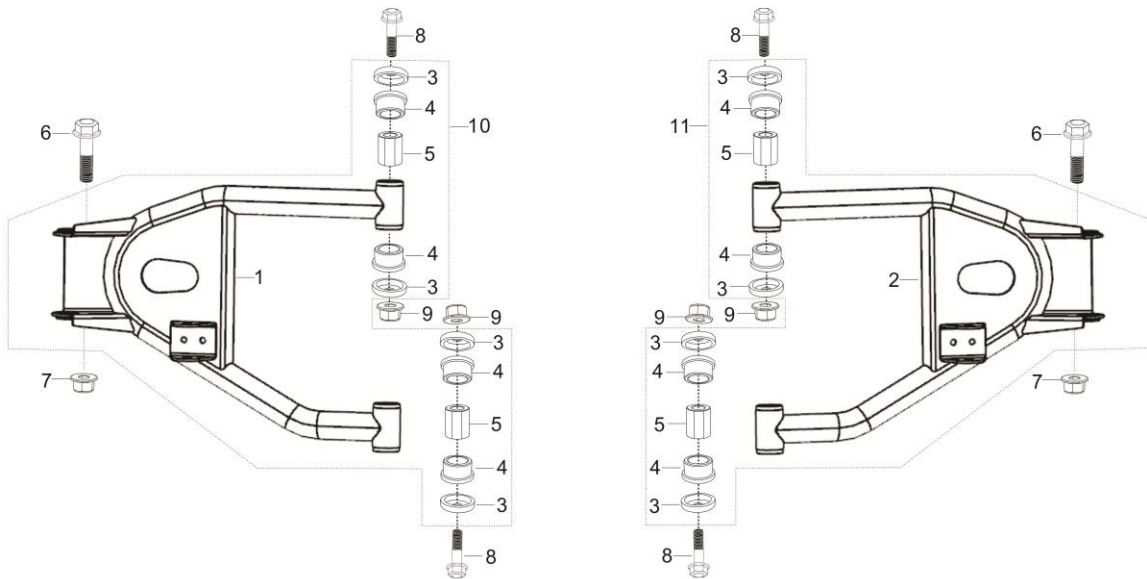
No.	Code	Model	Name	Qty
1	561000-0152-0202	S350	FRAME ASSY	1
2	803012-0040	S200	FRONT BUMPER COVER	2
3	903019-0012-06	ATV	FLANGE BOLT - M8*16	4
4	704000-0039	S350	FRONT GUARD ASSY.	1
5	568000-0114-01	S200	LEFT DOOR FRAME-BLACK	1
6	568000-0115-01	S200	RIGHT DOOR FRAME-BLACK	1
7	903018-0061-02	S200	FLANGE BOLT-M8*85*1.25	2
8	903001-0003-06	ATV	SPRING BUSHER - Φ 8*13*2	6
9	903007-0005		SELF-LOCKING NUT-M8	2
10	568000-0104	S200	SELF-LOCKING DOOR LOCK – LEFT	1
11	568000-0105	S200	SELF-LOCKING DOOR LOCK – RIGHT	1
12	903018-0004-06	ATV	FLANGE BOLT - M6*16	12
13	903001-0002-06	ATV	SPRING BUSHER - Φ 6	8
14	903002-0001-06	ATV	FLAT WASHER - Φ 6*12*1.5	8
15	568000-0152	S200	TRAILER BALL FIX PLATE	1
16	603003-0008	AU200/AU150	TRAILER BALL KIT	1
17	903013-0037		SCREW - M10*35*1.5	4
18	903007-0007-06		SELF-LOCKING NUT - M10*1.5	4
19	908004-0015	S200	PLASTIC PLUG	2
20	568000-0113-01	S200	BRACKET FOR CONNECTING THE DOOR PART AND FRAME-BLACK	2
21	903002-0008-06	ATV	FLAT WASHER - Φ 10*20*2	4

Rear Upper Swing Arm Assy



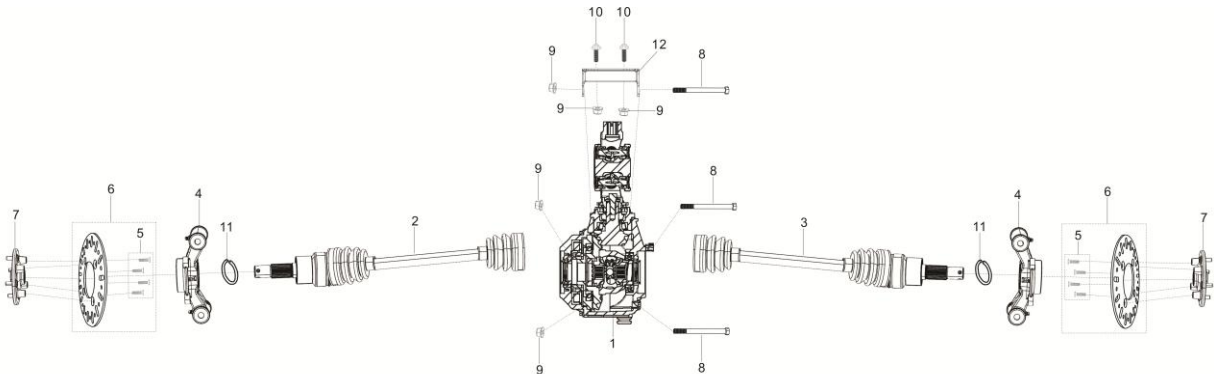
No.	Code	Model	Name	Qty.
1	565000-0109-02	S350	LEFT REAR UPPER ROCKER ARM	1
2	565000-0110-02	S350	RIGHT REAR UPPER ROCKER ARM	1
3	908007-0006-02	AY70	RUBBER SEAL COVER	8
4	902002-0038	A250	BUSHING	8
5	902001-0153	S200	BUSHING	4
6	901001-0041	T6	FLANGED SHAFT	2
7	903007-0008-02	ATV	SELF-LOCKING NUT-M12*1.25	2
8	903019-0021-02	ATV	FLANGE BOLT-M10*80*1.25	4
9	903007-0006-06	ATV	SELFLOCKING NUT	4
10	C90004-0265		REAR UPPER SWING ARM ASSY.- LEFT SIDE-BLACK	1
11	C90004-0266		REAR UPPER SWING ARM ASSY.- RIGHT SIDE-BLACK	1

Rear Lower Swing Arm Assy



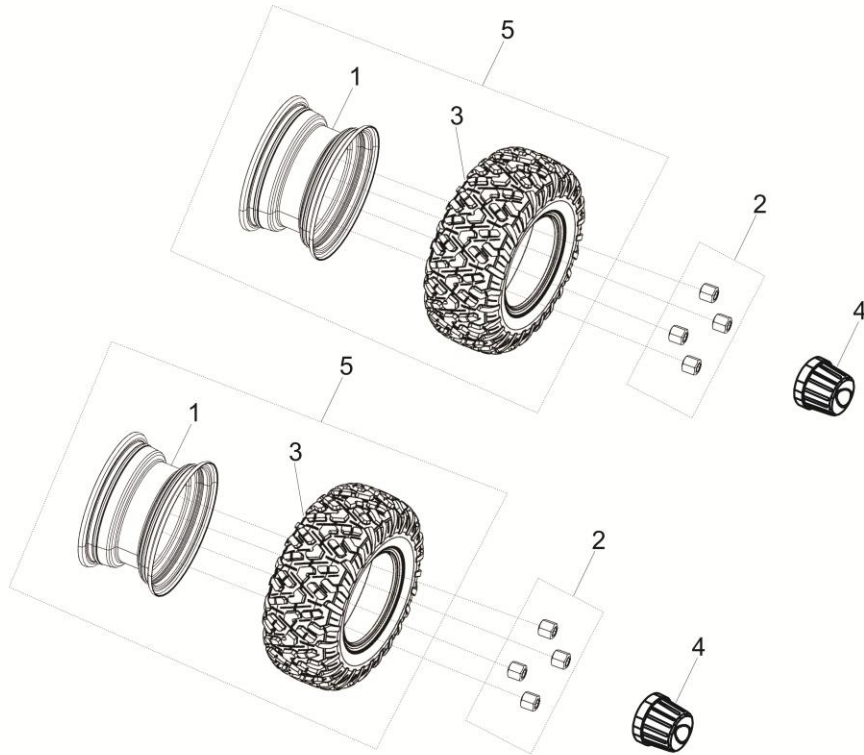
No.	Code	Model	Name	Qty.
1	565000-0111-02	S350	LEFT REAR UPPER ROCKER ARM	1
2	565000-0112-02	S350	RIGHT REAR UPPER ROCKER ARM	1
3	908007-0006-02	AY70	RUBBER SEAL COVER	8
4	902002-0038	A250	BUSHING	8
5	902001-0153	S200	BUSHING	4
6	901001-0041	T6	FLANGED SHAFT	2
7	903007-0008-02	ATV	SELF-LOCKING NUT-M12*1.25	2
8	903019-0021-02	ATV	FLANGE BOLT-M10*80*1.25	4
9	903007-0006-06	ATV	SELFLOCKING NUT - M10*1.25	4
10	C90004-0267		REAR LOWER SWING ARM ASSY. - LEFT SIDE-BLACK	1
11	C90004-0268		REAR LOWER SWING ARM ASSY.- RIGHT SIDE-BLACK	1

Rear Driven Assy



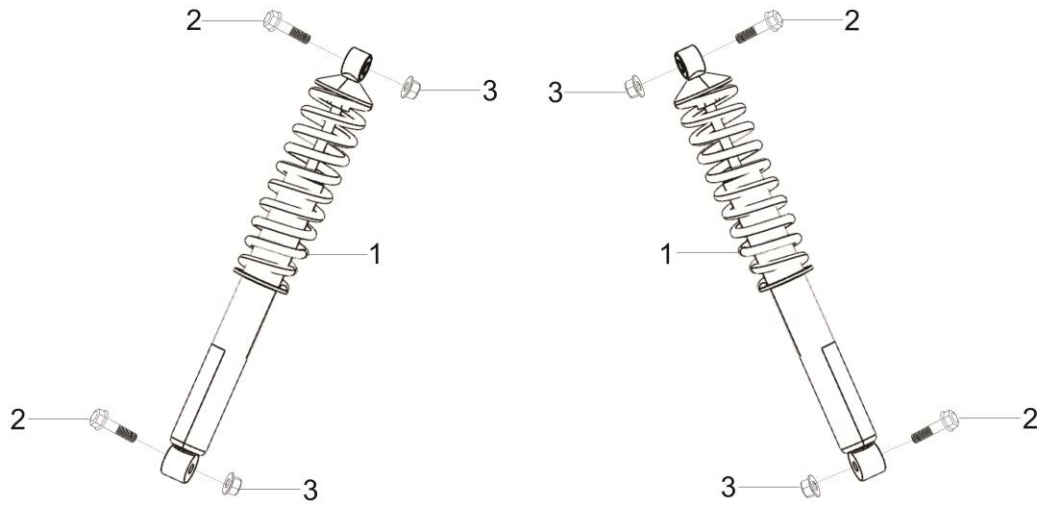
No.	Code	Model	Name	Qty.
1	564000-0035-02	S350	REAR WHEEL DRIVE ASSY.	1
2	564000-0036	S350	LEFT REAR AXLE ASSY.	1
3	564000-0037	S350	RIGHT REAR AXLE ASSY.	1
4	603002-0040	S200	KNUCKLE KIT	2
5	405012-0001		BOLT-M8*20*1.25	8
6	405001-0038		REAR BRAKE DISC	2
7	402003-0027-04		REAR HUB KIT	2
8	903017-0017-06		BOLT - M10*110*1.25	3
9	903007-0006-06	ATV	SELFLOCKING NUT - M10*1.25	5
10	903018-0029-02	ATV	FLANGE BOLT - M10*20*1.25	2
11	903004-0011	S200	CIRCLIP - Φ 50	2
12	568000-0236-0002	S350	SPROCKET MOUNTING BRACKET	1

Rear Wheel Assy



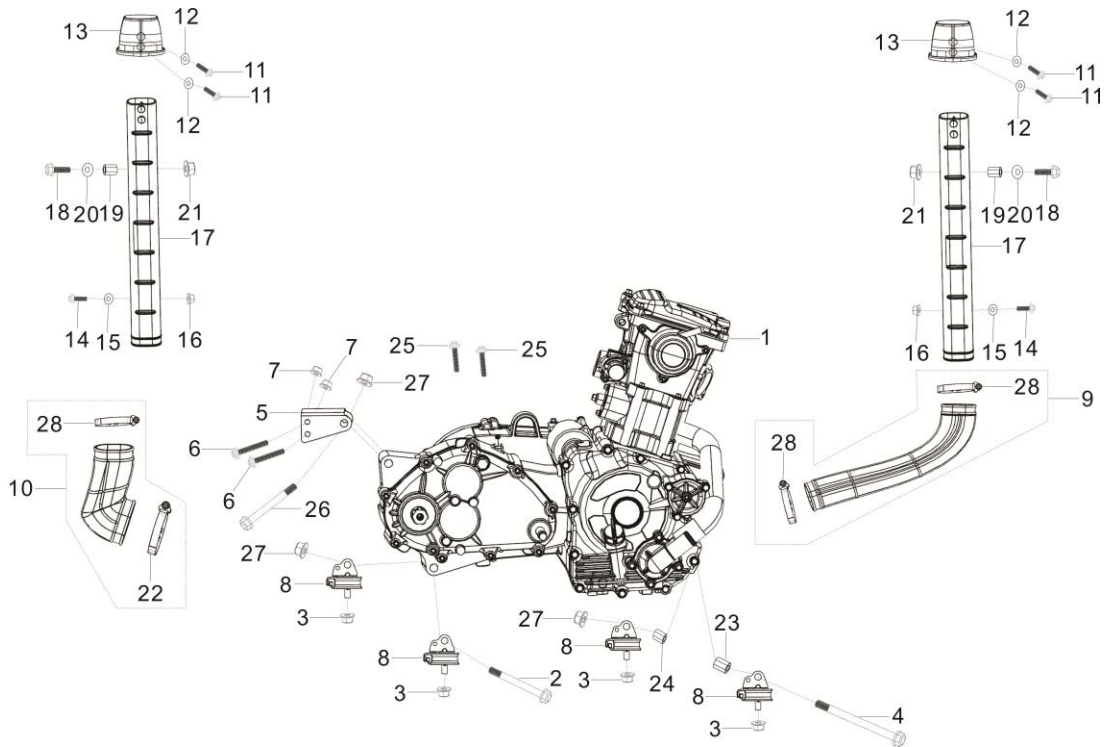
No.	Code	Model	Name	Qty.
1	402000-0117	S350	REAR RIM	2
2	903008-0033	AU180	NUT-M10*1.25 60°	8
3	402006-0066	S350	REAR WHEEL OUTER TYRE	2
4	908007-0003	ATV	RUBBER COVER	2
5	C90004-0269	S200	LEFT REAR WHEEL ASSY	1

Rear Shock Assy



No.	Code	Model	Name	Qty.
1	502000-0115	S350	REAR SHOCK ABSORBERS ASSY.	2
2	903018-0056-02	S200	FLANGE BOLT- M10*55*1.25	4
3	903007-0006-06	ATV	SELFLOCKING NUT - M10*1.25	4

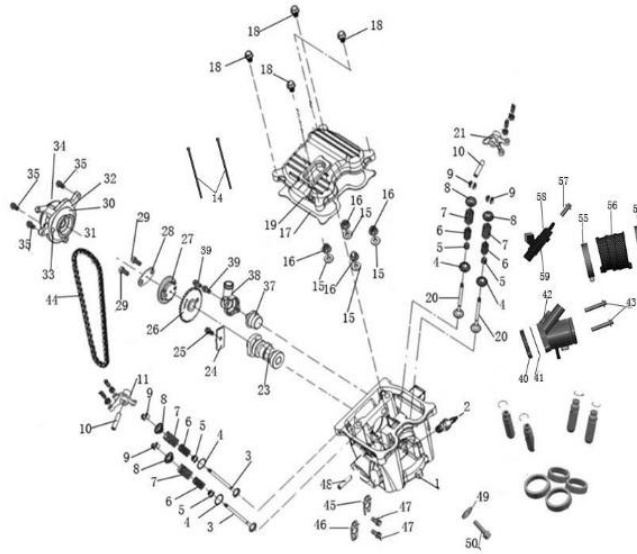
Engine Assy



No.	Code	Model	Name	Qty.
1	101000-0695	S350	ENGINE ASSY.	1
2	901001-0040	T6	FLANGED SHAFT- $\Phi 12*95*M12*1.25MM$	1
3	903007-0006-06	ATV	SELFLOCKING NUT- M10*1.25	4
4	901001-0014-06	KMB	FLANGED SHAFT- $\Phi 12*185*M12*1.25MM$	1
5	568000-0227	S350	ENGINE MOUNTING PLATE	1
6	903018-0061-02	S200	FLANGE BOLT-M8*85*1.25	2
7	903007-0005		SELF-LOCKING NUT-M8	2
8	568000-0229	S350	ENGINE SHOCK ABSORBER	4
9	803012-0059	S350	LEFT LOWER AIR INTAKE PIPE	1
10	803012-0060	S350	RIGHT LOWER AIR INTAKE PIPE	1
11	903018-0003-06	ATV	FLANGE BOLT - M6*12	4
12	908003-0002		FLAT WASHER, RUBBER- $\Phi 5.5*14.5*2$	4
13	803012-0035	S200	AIR INTAKE PIPE COVER	2
14	903018-0004-06	ATV	FLANGE BOLT - M6*16	2
15	903002-0002-06	ATV	FLAT WASHER - $\Phi 6*18*1.5$	2
16	903007-0003		SELFLOCKING NUT - M6	2
17	803012-0036-02		AIR INTAKE PIPE - UPPER	2
18	903018-0031-06		FLANGE BOLT - M10*30*1.5	2

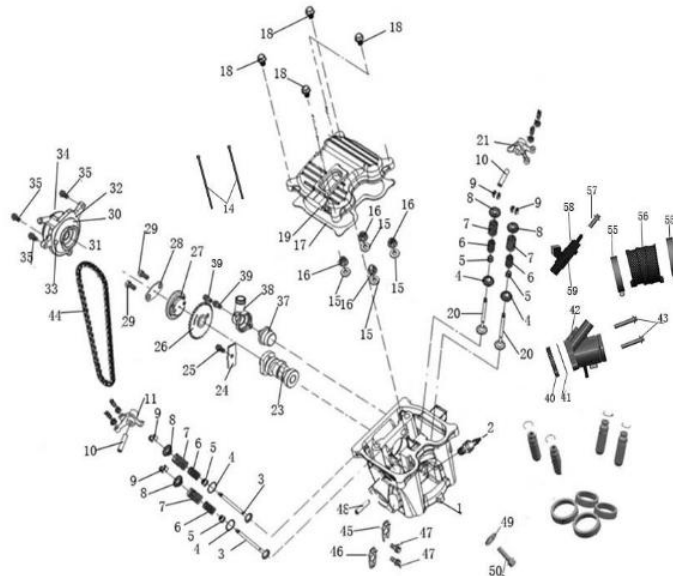
No.	Code	Model	Name	Qty.
19	902001-0132	K6-L	BUSHING - Φ 10*18*H12.2	2
20	903002-0023-06	S200	FLAT WASHER - Φ 10.5*25*2	2
21	903007-0007-06		SELFLOCKING NUT - M10*1.5	2
22	906001-0004	T4	CLAMP Φ 51-70	1
23	902001-0194	S350	BUSHING - Φ 20* Φ 12.5*L20MM	1
24	902001-0193	S350	BUSHING - Φ 20* Φ 12.5*L10MM	1
25	903018-0014-02	ATV	FLANGE BOLT - M8*50	2
26	903018-0039-02	ATV	FLANGE BOLT - M12*90*1.25	1
27	903007-0008-02	ATV	FLANGE BOLT - M12*1.25	3
28	906001-0003		CLAMP Φ 40-55	3

CYLINDER HEAD ASSY



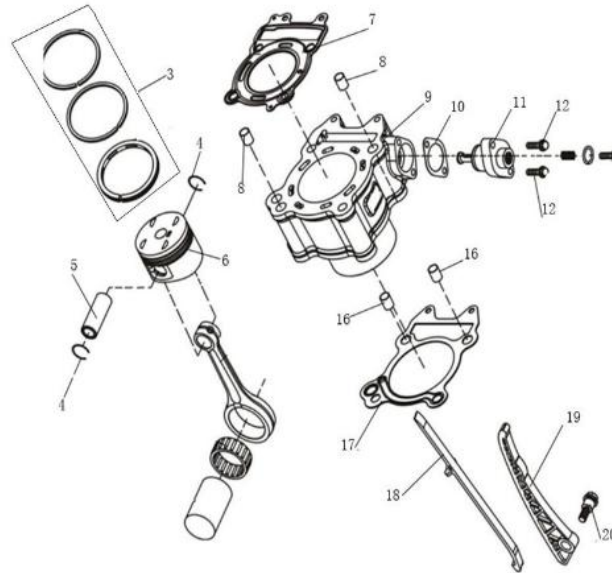
No.	Code	Name	Qty.
1	101046-0006	CYLINDER HEAD ASSY	1
2	101046-0003	SPARK PLUG (NGK CR9E)	1
3	101046-0007	EXHAUST VALVE	2
4	101046-0008	VALVE SPRING RETAINER (LOWER)	4
5	101020-0274	OIL SEAL	4
6	101046-0009	INNER SPRING	4
7	101046-0010	OUTER SPRING	4
8	101046-0011	VALVE SPRING RETAINER (UPPER)	4
9	101046-0012	VALVE CLAMP	8
10	101046-0013	ROCKER SHAFT	2
11	101046-0014	EXHAUST ROCKER ARM	1
14	101019-0847	BLOT M6×105	2
15	101046-0015	WASHER Φ10×Φ20×2	4
16	101046-0016	NUT M10	4
17	101046-0017	CYLINDER HEAD COVER SEAL	1
18	101046-0018	CYLINDER HEAD COVER BOLT	4
19	101046-0019	CYLINDER HEAD COVER	1
20	101046-0020	INTAKE VALVE	2
21	101046-0021	INTAKE ROCKER ARM	1
23	101046-0022	CAMSHAFT SET	1
24	101046-0023	LOCATE PLATE	1
25	101024-0518	BLOT M6×12	1
26	101046-0024	TIMING DRIVEN SPROCKET 34T	1
27	101046-0025	GAST COVER B	1
28	101046-0026	TIMING DRIVEN SPROCKET PRESSURE PLATE	1
29	101024-0519	BLOT M6×16	2
30	101046-0027	O-RING Φ71.5×2.4	1
31	101046-0028	GAST COVER A	1
32	101046-0029	SEAL & GAST COVER A	1

Cylinder Head Assy



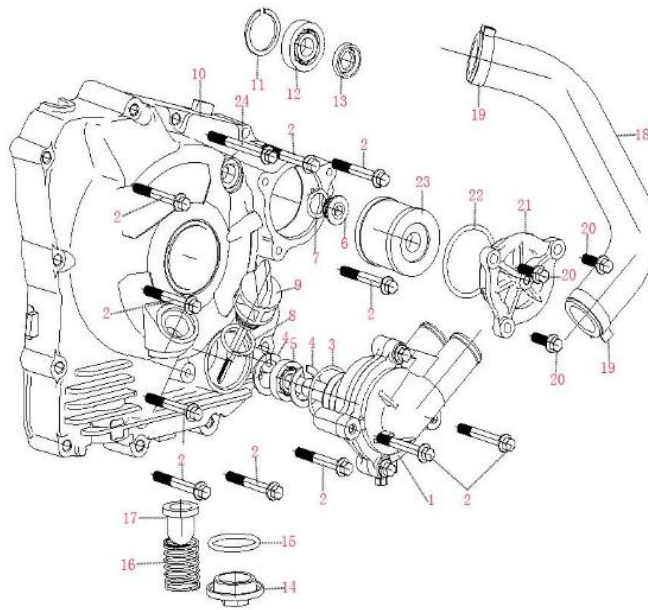
No.	Code	Name	Qty.
33	101046-0030	SCREW M5×12	2
34	101046-0031	CYLINDER HEAD LEFT COVER	1
35	101024-0520	BOLT M6×20	3
36	101046-0032	THERMOSWITCH	1
37	101046-0033	TEMPERATURE SWITCH (RECTANGULAR SEALING RING)	1
38	101046-0034	THERMOSTAT COVER	1
39	101024-0520	BOLT M6×20	2
40	101046-0035	INSULATING MAT, INTAKE PIPE	2
41	101046-0036	GASKET, INTAKE PIPE	1
42	101046-0037	INLET PIECE & 284#-1/EPA	1
	101046-0038	INLET PIECE & 263#	1
43	101016-0030	BOLT M6×30	2
44	101046-0039	TIMING CHAIN(3X4-104L)	1
45	101024-0510	WASHER	1
46	101024-0501	WASHER	1
47	101024-0519	BLOT M6×16	2
48	101024-0266	STUD BOLT,EXHAUST PIPE(M8×35)	2
49	101024-0296	WASHER	1
50	101019-0835	BLOT M6×14	1
55	101046-0040	CLAMP, INTAKE PIPE	2
56	101046-0041	CONNECTING HOSE,INTAKE PIPE	1
57	101019-0835	BOLT M6×14	1
58	101046-0001	CAP,FUEL INJECTOR	1
59	101046-0002	FUEL INJECTOR("25359853")	1

CYLINDER BLOCK& PISTON ASSY



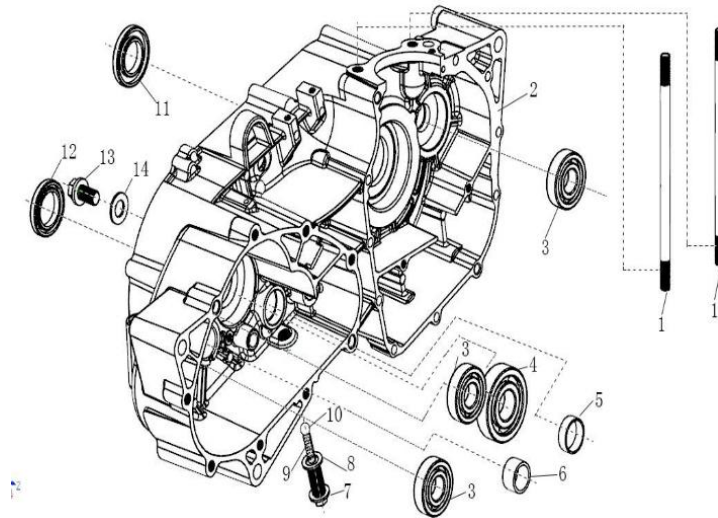
No.	Code	Name	Qty.
3	101046-0146	PISTON RING COMBINATION	1
4	101046-0045	CIRCLIP	2
5	101046-0046	PISTON PIN	1
6	101046-0047	PISTON	1
7	101046-0048	GASKET&CYLINDER HEAD	1
8	101046-0049	PIN $\Phi 12 \times 20$	2
9	101046-0050	CYLINDER BLOCK	1
10	101046-0051	GASKET,TENSIONER	1
11	101046-0052	TENSIONER ASSY	1
12	101024-0520	BLOT M6 \times 20	2
16	101046-0053	PIN $\Phi 12 \times 16$	2
17	101046-0054	GASKET	1
18	101046-0055	GUIDE PLATE	1
19	101046-0056	ADJUSTING PLAE	1
20	101046-0057	LOCATING PLATE	1

RIGHT CRANKCASE COVER & WATER PUMP



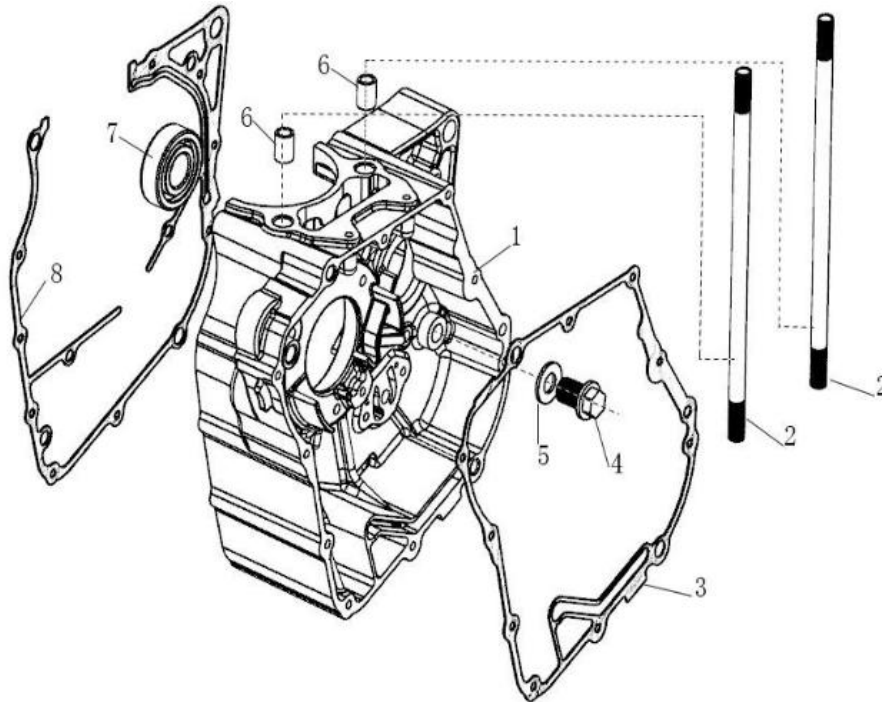
No.	Code	Name	Qty.
1	101046-0058	WATER PUMP ASSY	1
2	101024-0523	BOLT (M6×50)	2
3	101046-0059	O-RING	1
4	101046-0060	CIRCLIP FOR HOLE	2
5	101020-0340	BEARING 6000	1
6	101046-0061	PLUG FOR WATCH HOLE	1
7	101024-0368	O-RING,WATCH HOLE PLUG $\Phi 13.8 \times 2.5$	1
8	101024-0311	O-RING $\Phi 18 \times 3.5$	1
9	101046-0062	DIPSTICK	1
10	101046-0063	RIGHT CRANKCASE COVER	1
11	101046-0064	CIRCLIP	1
12	101046-0065	BEARING 6201RS	1
13	101046-0066	OIL SEAL 12×22×5	1
14	101046-0067	ENGINE OIL GAUZE FILTER COVER	1
15	101019-0569	O-RING	1
16	101046-0068	SPRING	1
17	101046-0144	ENGINE GAUSXE FILTER COMP	1
18	101046-0069	WATERPIPE	1
19	101046-0070	ANCHOR EAR	2
20	101024-0520	BOLT (M6×20)	3
21	101046-0071	COVER	1
22	101046-0072	O-RING $\Phi 39 \times 3.2$	1
23	101046-0073	OIL FINE FILTER ELEMENT ASSEMBLY	1

LEFT CRANK CASE



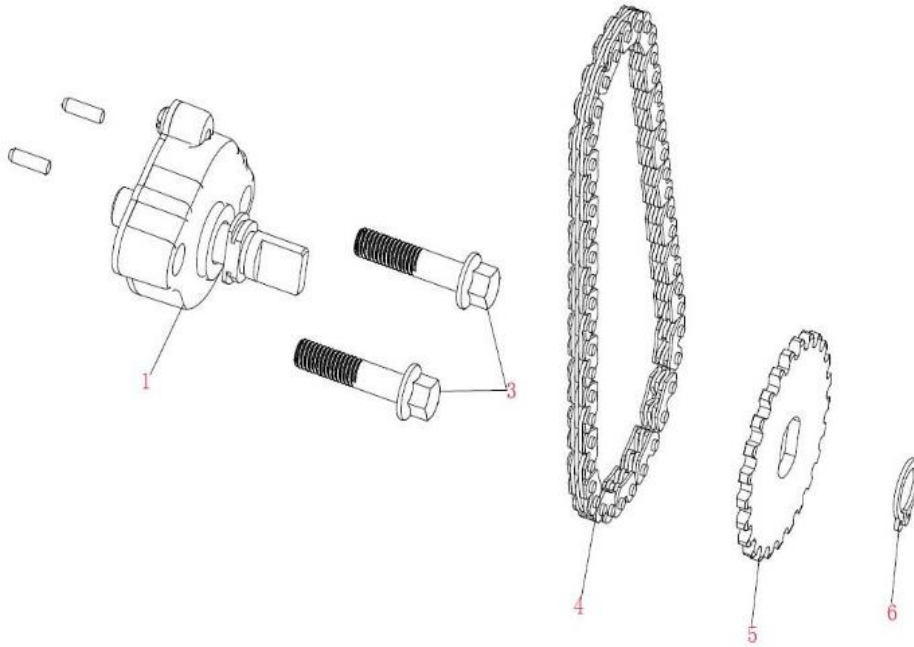
No.	Code	Name	Qty.
1	101046-0074	STUD B M10×211	2
2	101046-0075	LEFT CRANKCASE COMP	1
3	101024-0440	BEARING TM6204	3
4	101046-0076	BEARING TM6305	1
5	101046-0077	ROLLER BEARING K252910	1
6	101046-0078	ROLLER BEARING HK202616	1
7	101046-0079	BOLT & NEUTRAL	1
8	101046-0080	WASHER	1
9	101046-0081	SPRING	1
10	101046-0082	LOCKING BALL	1
11	101046-0083	SEAL 30×42×7	1
12	101046-0084	SEAL 25×40×7	1
13	101019-0656	DRAIN PLUG	1
14	101024-0095	WASHER FOR DRAIN PLUG	1

RIGHT CRANK CASE



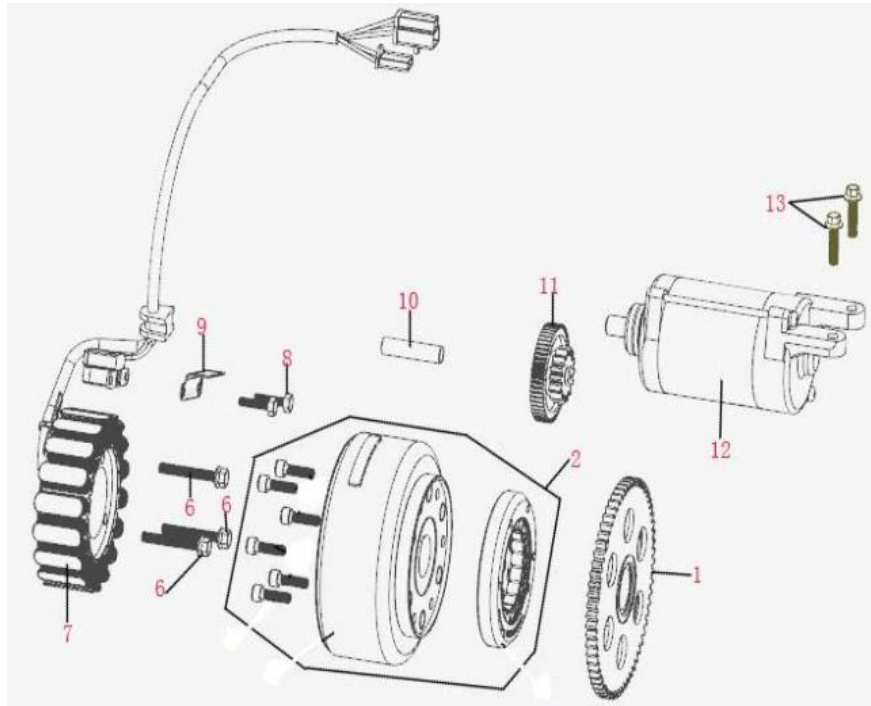
No.	Code	Name	Qty.
1	101046-0085	RIGHT CRANK CASE ASSY	1
2	101046-0086	STUD A M10×243	2
3	101046-0087	GAST & R CRANK CASE COVER	1
4	101046-0088	BOLT	1
5	101024-0095	WASHER	1
6	101046-0053	DOWEL PIN $\Phi 12 \times 16$	2
7	101024-0440	BEARING TM6204	1
8	101046-0090	GAST & R CRANK CASE	1
9	101024-0312	DOWEL PIN $\Phi 8 \times 14$	4

PUMP ASSY, ENGINE OIL



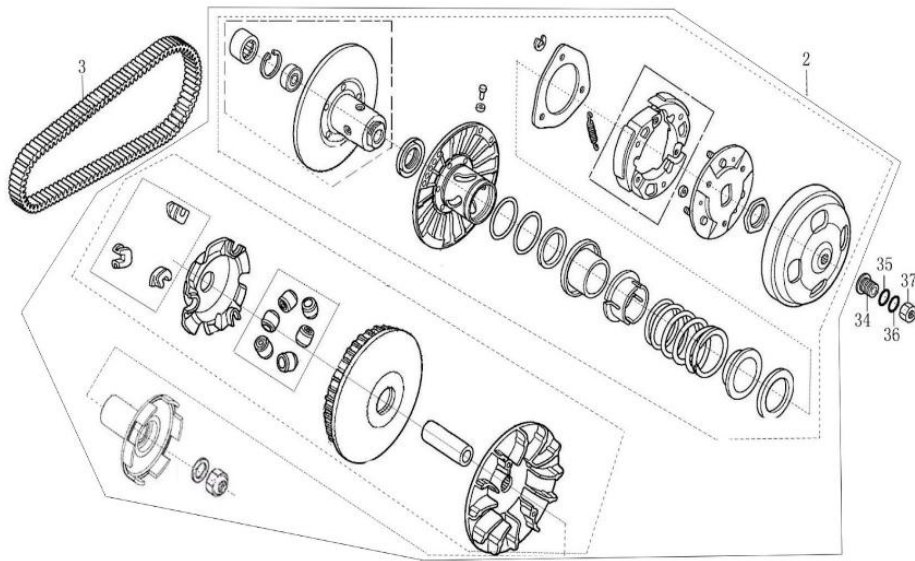
No.	Code	Name	Qty.
1	101046-0091	PUMP ASSY, ENGINE OIL	1
3	101024-0521	BOLT M6×28	2
4	101046-0092	CHAIN COMP, PUMP DRIVE (2×3-48L)	1
5	101046-0093	SPROCKET & PUMP DRIVE	1
6	101046-0094	CIRCLIP, OIL PUMP DRIVEN GEAR	1

MAGNETO & ELETRICAL STARTING



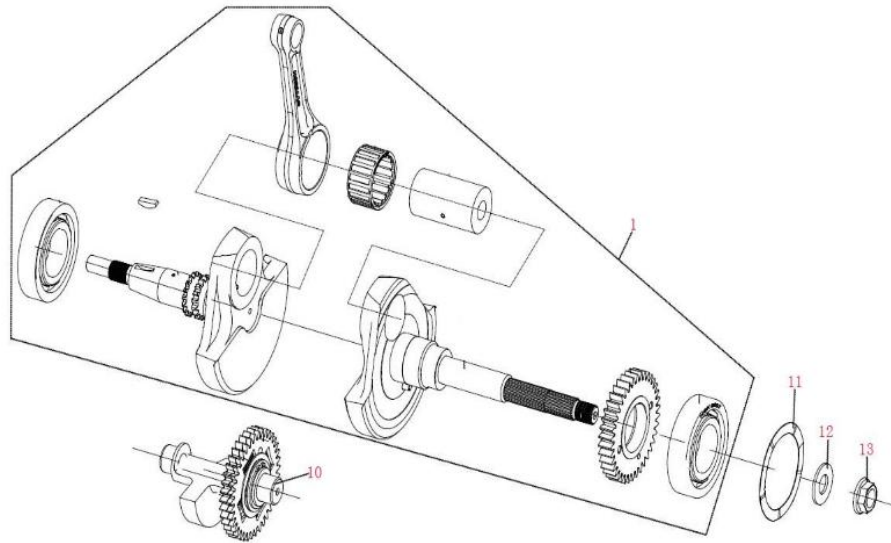
No.	Code	Name	Qty.
1	101046-0095	GEAR ASSY	1
2	101046-0096	MAGNETO ROTOR CVT350	1
6	101046-0097	BOLT M8×40	3
7	101046-0098	MAGNETO STATOR ASSY	1
8	101046-0099	BOLT M5×16	2
9	101046-0100	TRIGGER CLAMP	1
10	101046-0101	SHAFT	1
11	101046-0102	DOUBLE GEARS ASSY	1
12	101046-0103	STARTING MOTOR ASSY	1
13	101024-0521	BOLT M6×28	2

CVT CLUTCH ASSY



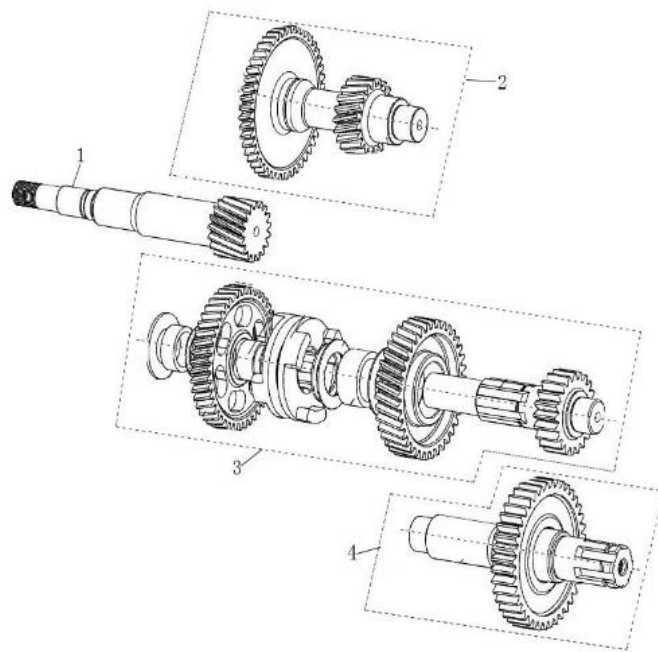
No.	Code	Name	Qty.
2	101046-0147	CLUTCH & DRIVEN/CVT350	1
3	101046-0106	V-BELT, DRIVE /CVT350	1
34	101046-0107	BEARING HOLDER	1
35	101046-0108	O-RING	2
36	101046-0109	WASHER	2
37	101046-0110	NUT, M14	1

CRANKSHAFT, PISTON, BALANCE SHAFT



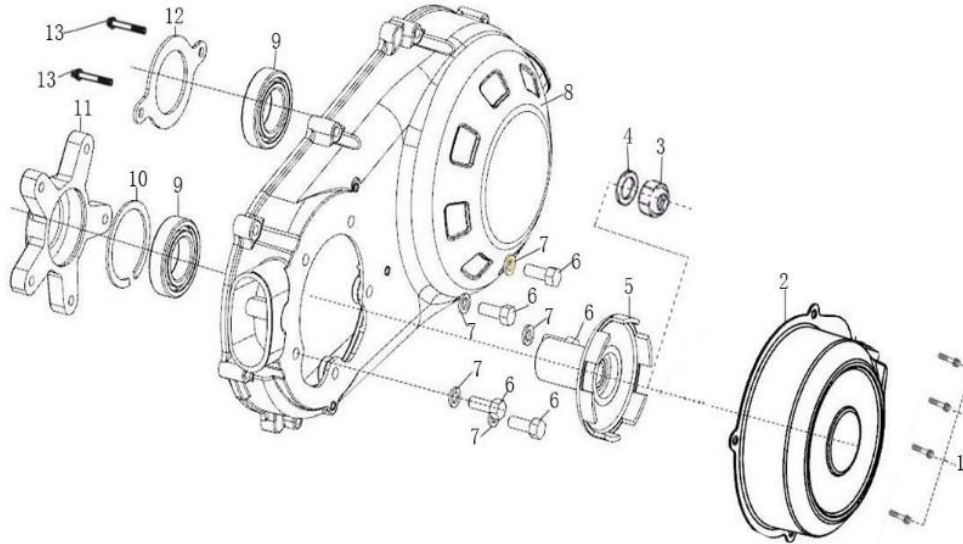
No.	Code	Name	Qty.
1	101046-0111	CRANKSHAFT ASSY	1
10	101046-0112	BLANCE SHAFT	1
11	101046-0113	WAVE WASHER	1
12	101046-0109	WASHER	1
13	101046-0110	NUT, M14	1

TRANSMISSION DEVICE



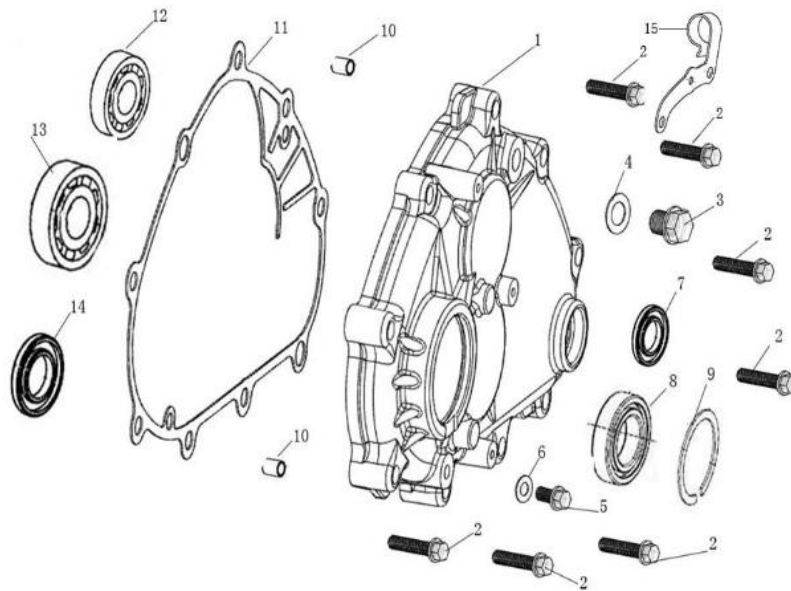
No.	Code	Name	Qty.
1	101046-0114	DRIVE SHAFT	1
2	101046-0115	REVERSE SHAFT ASSY	1
3	101046-0116	COUNTER SHAFT ASSY	1
4	101046-0117	FINAL SHAFT ASSY	1

LEFT CASE COVER



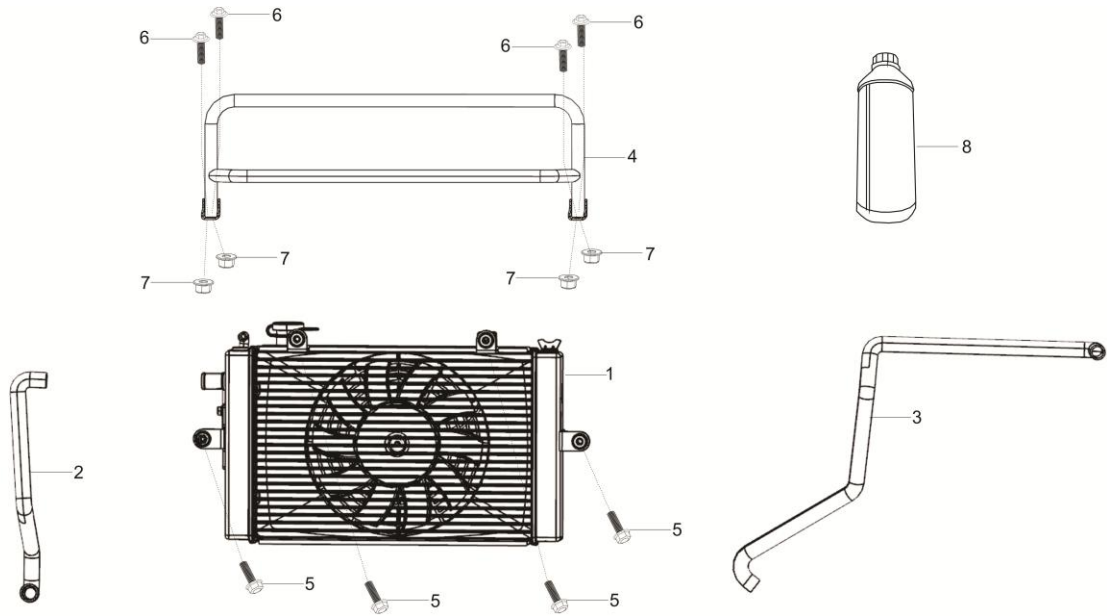
No.	Code	Name	Qty.
1	101019-0835	BOLT M6×14	4
2	101046-0118	COVER	1
3	101046-0110	NUT, M14	1
4	101046-0109	WASHER	1
5	101046-0119	HAND PULL STARTS THE SLAVE WHEEL	1
6	101046-0120	BOLT M8×28	5
7	101046-0121	WASHER	5
8	101046-0122	LEFT CRANK COVER	1
9	101046-0123	BEARING 6006 2RS	2
10	101046-0124	CIRCLIP	2
11	101046-0125	BEARING SUPPORT	2
12	101046-0126	BEARING PLATE	1
13	101024-0520	BOLT M6×20	2

GEARSHIFT COVER



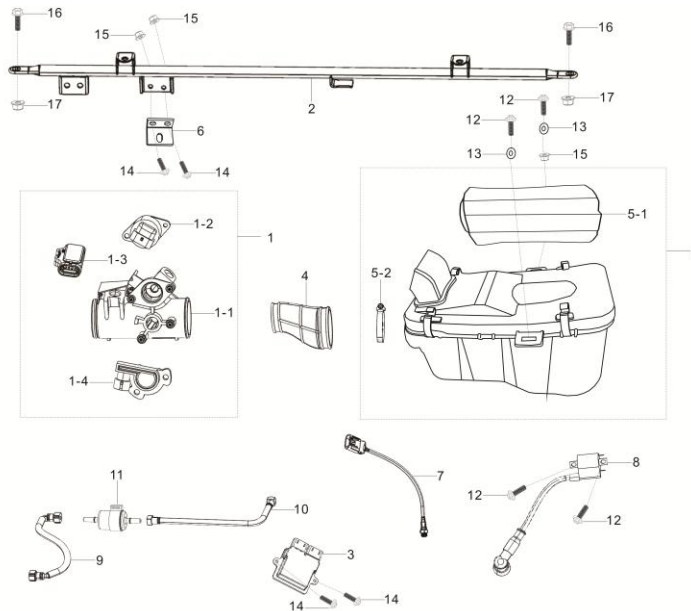
No.	Code	Name	Qty.
1	101046-0135	GEAR SHIFT COVER	1
2	101046-0097	BOLT M8×40	9
3	101019-0656	BOLT M12	2
4	101024-0095	Ø12WASHER	1
5	101046-0137	BOLT M8	1
6	101024-0507	Ø8WASHER	1
7	101046-0138	SEAL 14×26×6	1
8	101046-0139	BEARING 6205-2RS	1
9	101046-0140	CIRCLIP Ø52	1
10	101024-0394	DOWEL PIN Ø10×14	2
11	101046-0141	GAST & GEAR SHIFT COVER	1
12	101024-0440	BEARING 6204	1
13	101020-0439	BEARING 6304	1
14	101046-0142	SEAL 30×46×7	1
15	101046-0143	WIRE-GUIDE CLAMP	1

Water tank assembly



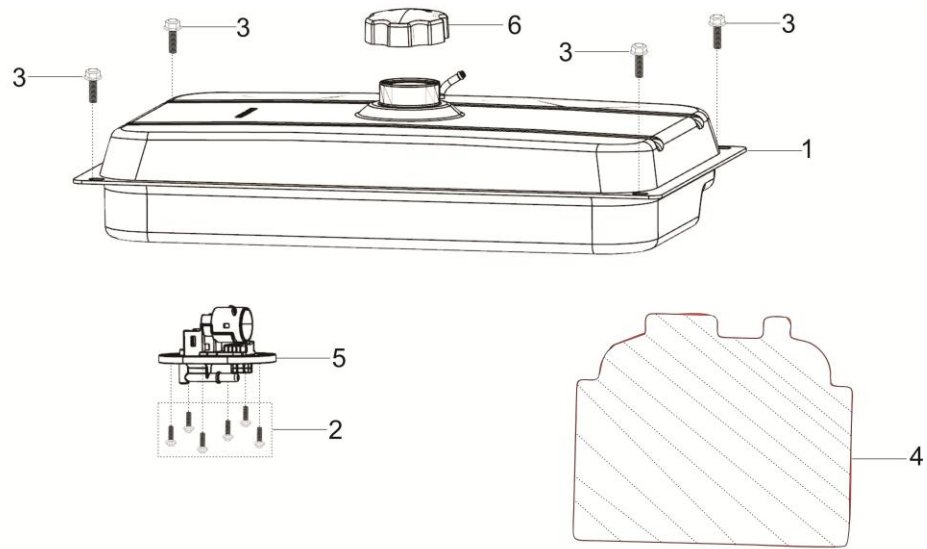
No.	Code	Model	Name	Qty.
1	104001-0022-02	S350	RADIATOR	1
2	104002-0037	S350	RADIATOR INLET HOSE	1
3	104002-0038	S350	RADIATOR OUTLET HOSE	1
4	568000-0223-02	S350	RADIATOR GUARD	1
5	903019-0007		FLANGE BOLT M6*25	4
6	903018-0004-06	ATV	FLANGE BOLT M6*16	4
7	903007-0003		SELFLOCKING NUT M6	4
8	104001-0006		RADIATOR COOLANT	1

EFI + Air filter Assembly



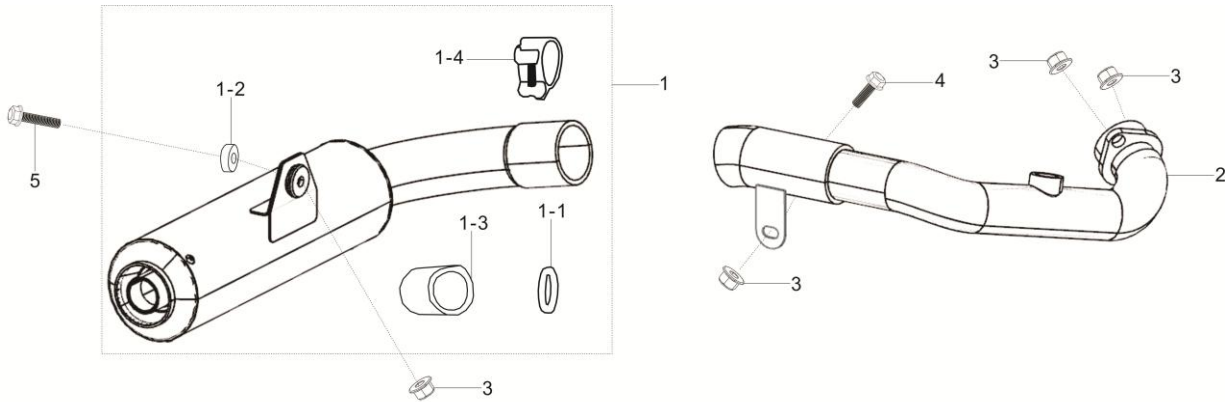
No.	Code	Model	Name	Qty.
1	107001-0132	S350	EFI THROTTLE BODY ASSEMBLY	1
1-1	107001-0165	CVT350	THROTTLE BODY	1
1-2	107001-0166	CVT350	SSTEPPER MOTOR	1
1-3	107001-0167	CVT350	MAP/IAT SENSOR	1
1-4	107001-0168	CVT350	THROTTLE POSITION SENSOR (TPS)	1
2	568000-0225-02	S350	AIR FILTER MOUNTING BRACKET	1
3	107001-0133	S350	ECU	1
4	105003-0038	S350	AIR FILTER RUBBER CONNECTOR / COUPLING	1
5	105000-0049	S350	AIR FILTER ASSEMBLY	1
5-1	105002-0014	AU200	AIR FILTER ELEMENT	1
5-2	906001-0004		CLAMP	1
6	568000-0107	S200	AIR FILTER FIX BASE-BLACK	1
7	107001-0134	S350	OXYGEN SENSOR	1
8	107001-0137	S350	IGNITION COIL	1
9	908002-0032	S350	PRE-FORMED HIGH-PRESSURE FUEL LINE 1	1
10	908002-0033	S350	PRE-FORMED HIGH-PRESSURE FUEL LINE 2	1
11	107001-0138	TT140	EFI FUEL FILTER	1
12	903018-0005-06	ATV	FLANGE BOLT - M6*20	4
13	903002-0002-06	ATV	FLAT WASHER - $\Phi 6*18*1.5$	2
14	903018-0004-06	ATV	FLANGE BOLT - M6*16	4
15	903007-0003		SELFLOCKING NUT M6	3
16	903019-0013-06	ATV	FLANGE BOLT - M8*20	2
17	903007-0005		SELFLOCKING NUT M8	2

Fuel Tank Assy



No.	Code	Model	Name	Qty.
1	805002-0037-02	S350	FUEL TANK	1
2	903018-0002-06	ATV	FLANGE BOLT - M5*16	6
3	903019-0016-03	ATV	FLANGE BOLT - M8*30	4
4	909010-0030	S200	HEAT SHIELD	1
5	107001-0136	S350	EFI FUEL PUMP	1
6	805003-0021	AU150-D	FUEL TANK CAP	1

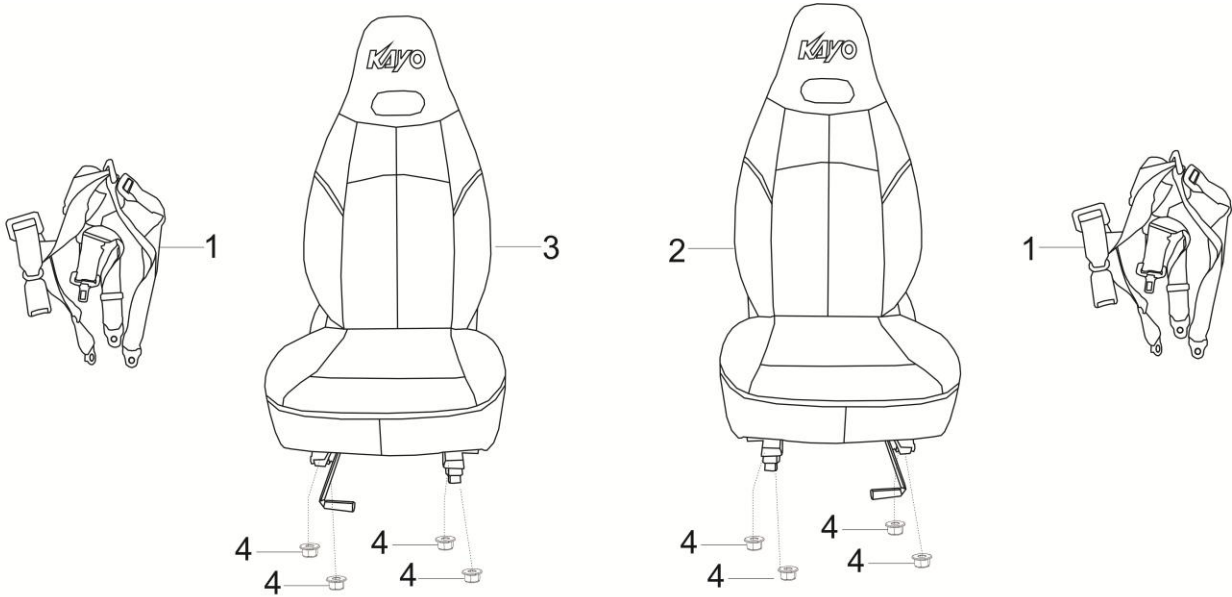
Muffler Assy



No.	Code	Model	Name	Qty.
1	106002-0071	S350	MUFFLER	1
1-1	106003-0004	S200	MUFFLER SEAL	1
1-2	106006-0035	S200	MUFFLER BUSHING	1
1-3	106006-0038		MUFFLER BUSHING – LEAD	1
1-4	906001-0003		CLAMP	1
2	106001-0153	S350	MUFFLER PIPE	1
3	903007-0005		SELF-LOCKING NUT-M8	4
4	903019-0013-06	ATV	FLANGE BOLT - M8*20	1
5	903018-0012-06	ATV	FLANGE BOLT - M8*40	1

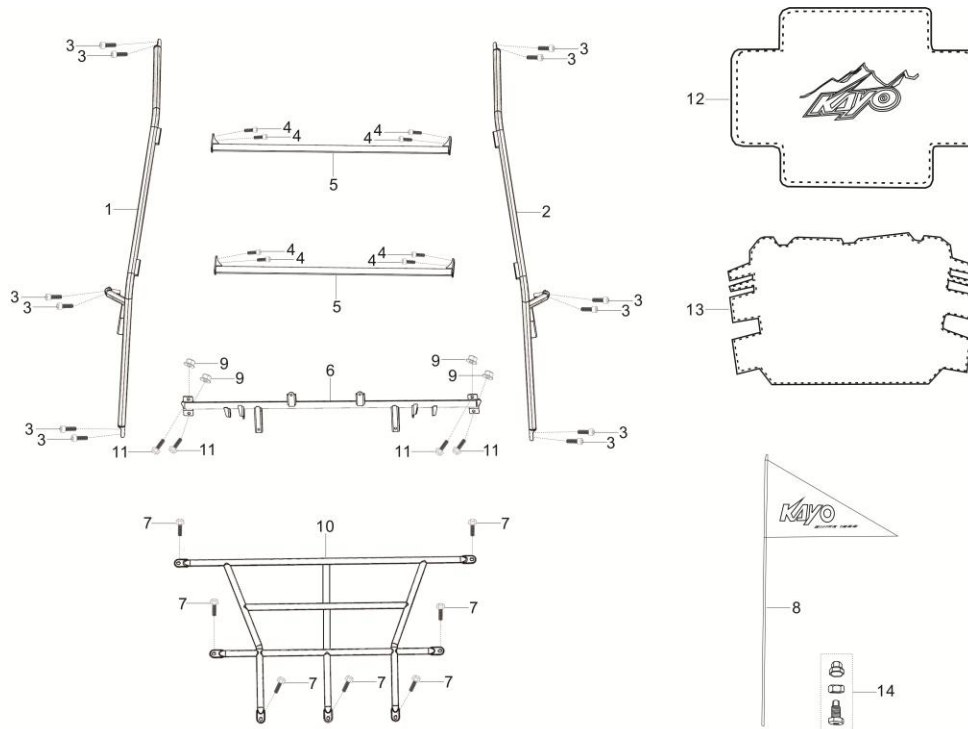
17	313004-0007	S200	HORN SWITCH	1
18	313003-0018-02		HIGH/LOW BEAM TOGGLE SWITCH	1
19	313004-0009	S200	LIGHT SWITCH	1
20	903007-0003		SELFLOCKING NUT - M6	2
21	568000-0106	S200	TAIL LIGHT FIX PLATE-BLACK	2
22	308002-0009	AU150	TAIL LIGHT	1
23	301001-0001	T2	RELAY	1
24	314001-0014	S200	LOCK	1
25	909010-0011	TT	EVA	4
26	903019-0010-06		FLANGE BOLT - M6*35	2
27	302001-0018	S350	VOLTAGE REGULATOR	1
28	903013-0001-06		SCREW - ST4.2*12	4
29	903006-0001-06	ATV	HEX FLANGE SERRATED NUT M5	4

Seat Assy



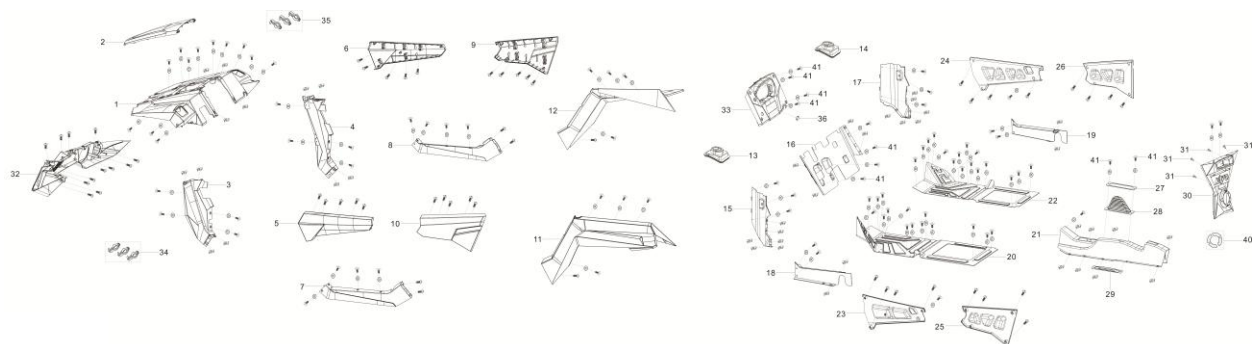
No.	Code	Model	Name	Qty.
1	568000-0176-01	S200	LEFT CEILING FRAME-BLACK	1
2	568000-0177-01	S200	RIGHT CEILING FRAME-BLACK	1
3	903013-0044-06	S200	SCREW - M10*20*1.5	12
4	903013-0017-06	ATV	SCREW - M8*16	8

Ceiling Frame Assy



No.	Code	Model	Name	Qty.
1	568000-0176-01	S200	LEFT CEILING FRAME-BLACK	1
2	568000-0177-01	S200	RIGHT CEILING FRAME-BLACK	1
3	903013-0044-06	S200	SCREW - M10*20*1.5	12
4	903013-0017-06	ATV	SCREW - M8*16	8
5	568000-0118-01	S200	CEILING FRAME-BLACK	2
6	568000-0224-02	S350	BACK SEAT BEAM	1
7	903019-0012-06	ATV	FLANGE BOLT - M8*16	7
8	909011-0066	S200	FLAG	1
9	903007-0005		SELF-LOCKING NUT-M8	4
10	703000-0054-02	S350	REAR RACK ASSY	1
11	903019-0013-06	ATV	FLANGE BOLT - M8*20	4
12	909011-0055-04		TOP PAULIN	1
13	909011-0090-02	S350	REAR TARPAULIN	1
14	909011-0067	S200	FLAG FIX PART	1

Plastic Cover Assy



No.	Code	Model	Name	Qty.
1	803012-0003-06		FRONT BODY-ORANGE	1
2	803012-0005-04		FRONT PANEL COVER-ORANGE	1
3	803012-0008-04		LEFT WING-ORANGE	1
4	803012-0009-04		RIGHT WING-ORANGE	1
5	803012-0043-04		LEFT DOOR PANEL-ORANGE	1
6	803012-0044-04		RIGHT DOOR PANEL-ORANGE	1
7	803012-0015-04		LEFT FOOTREST OUTER PLASTIC COVER-ORANGE	1
8	803012-0016-04		RIGHT FOOTREST OUTER PLASTIC COVER-ORANGE	1
9	803012-0046-06		RIGHT ARMREST PANEL-ORANGE	1
10	803012-0045-06		LEFT ARMREST PANEL-ORANGE	1
11	803012-0030-04		LEFT REAR FENDER-ORANGE	1
12	803012-0031-04		RIGHT REAR FENDER-ORANGE	1
13	803012-0006	S200	LEFT FRONT DECORATION COVER-BLACK	1
14	803012-0007	S200	RIGHT FRONT DECORATION COVER-BLACK	1
15	803012-0011	S200	LEFT FRONT COVER-BLACK	1
16	803012-0010	S200	CAR INTERIOR PLATE-BLACK	1
17	803012-0012	S200	RIGHT FRONT COVER-BLACK	1
18	803012-0017	S200	LEFT FOOTREST INNER PLASTIC COVER-BLACK	1
19	803012-0018	S200	RIGHT FOOTREST INNER PLASTIC COVER-BLACK	1
20	803012-0013	S200	LEFT FOOTREST PLATE-BLACK	1
21	803012-0019-02	S200	CNTER CONTROL	1
22	803012-0014	S200	RIGHT FOOTREST PLATE-BLACK	1
23	803012-0022	S200	LEFT DOOR INSIDER BRACE-BLACK	1
24	803012-0023	S200	RIGHT DOOR INSIDER BRACE-BLACK	1
25	803012-0026-06		LEFT HANDREST INSIDER BRACE-BLACK	1
26	803012-0027-06		RIGHT HANDREST INSIDER BRACE-BLACK	1
27	803012-0028	S200	HANDLEBAR COVER BOTTOM PLATE-BLACK	1
28	908007-0062	S200	HANDLEBAR COVER	1
29	568000-0143	S200	DUST COVER BOTTOM PLATE	1

30	803012-0034	S200	REAR TAIL COVER	1
31	906004-0009	S200	CLIP	4
32	803012-0001	S200	FRONT LIGHT COVER	1
33	803012-0002-06		METER COVER	1
34	908007-0069		LEFT REFLECTOR BRACKET	3
35	908007-0070		RIGHT REFLECTOR BRACKET	3
36	908004-0017	S350	RUBBER PLUG	1
37	908003-0002		FLAT WASHER, RUBBER- Φ 5.5*14.5*2	93
38	903020-0055	ATV	FLANGE BOLT - M6*16	85
39	903008-0020-06	ATV	NUT - M6 20*16*1.0	40
40	909010-0025	S200	HEAT SHIELD	4
41	903020-0056	ATV	FLANGE BOLT - M6*20	8
42	903010-0004-06	ATV	SCREW - ST4.2*12	50

