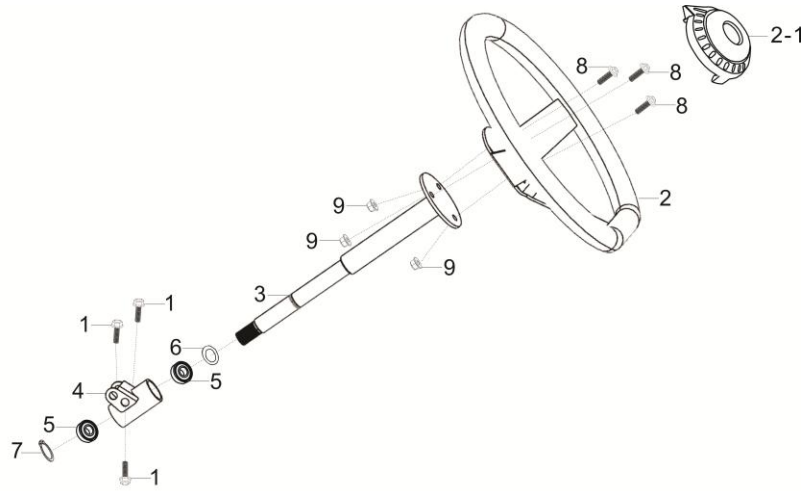


S125 Parts Catalog

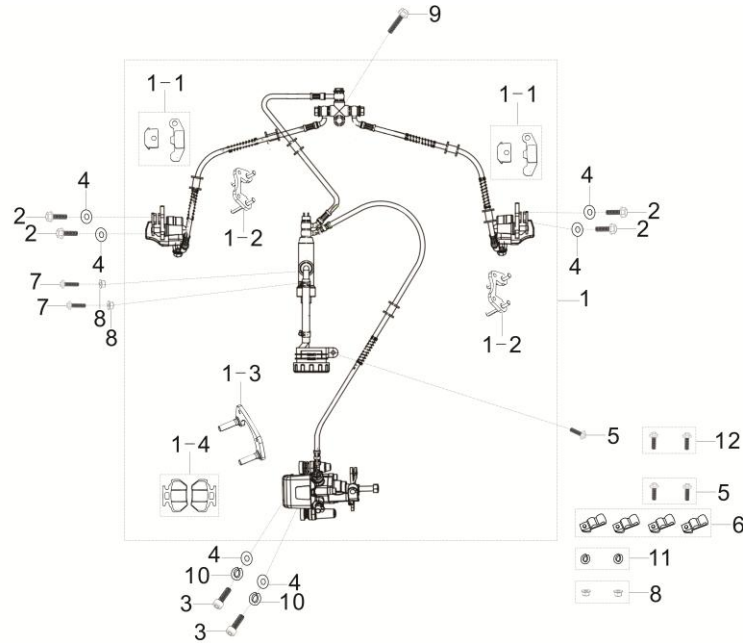


Steering Wheel Kit



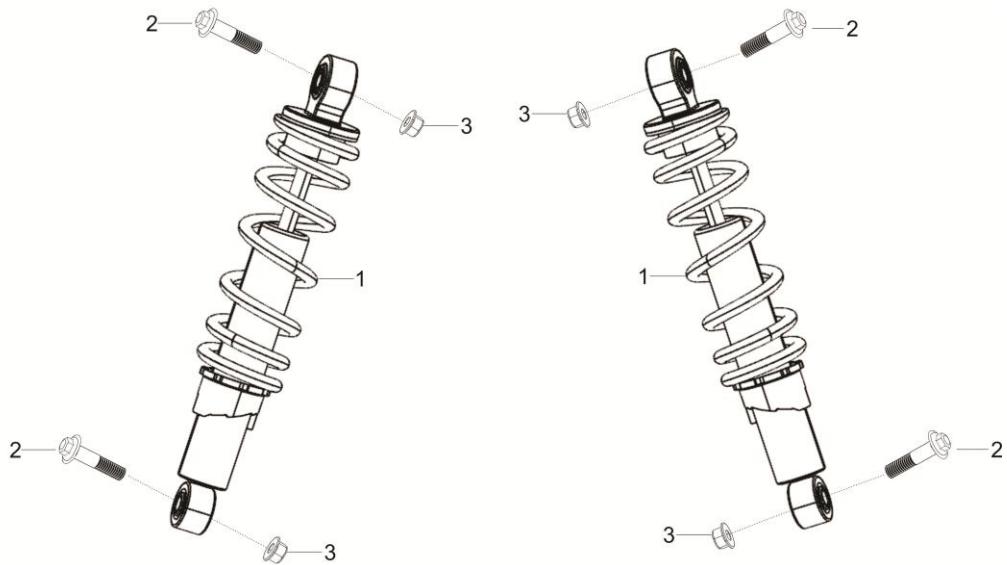
No.	Code	Model	Name	Qty.
1	903019-0011-03	ATV	FLANGE BOLT-M8*12	3
2	602001-0022-02		STEERING WHEEL	1
2-1	908007-0068		STEERING WHEEL DUST COVER	1
3	566000-0034	eS110	STEERING COLUMN	1
4	566000-0028-01		STEERING MAIN SHAFT	1
5	907001-0008	ATV	BEARING	2
6	908001-0004	ATV	OIL SEAL	1
7	903004-0013	eS110	RETAINING RING FOR SHAFT / CIRCLIP	1
8	903018-0004-06	ATV	FLANGE BOLT-M6*16	3
9	903007-0003		SELF-LOCKING NUT-M6	3

Rear Brake Assy



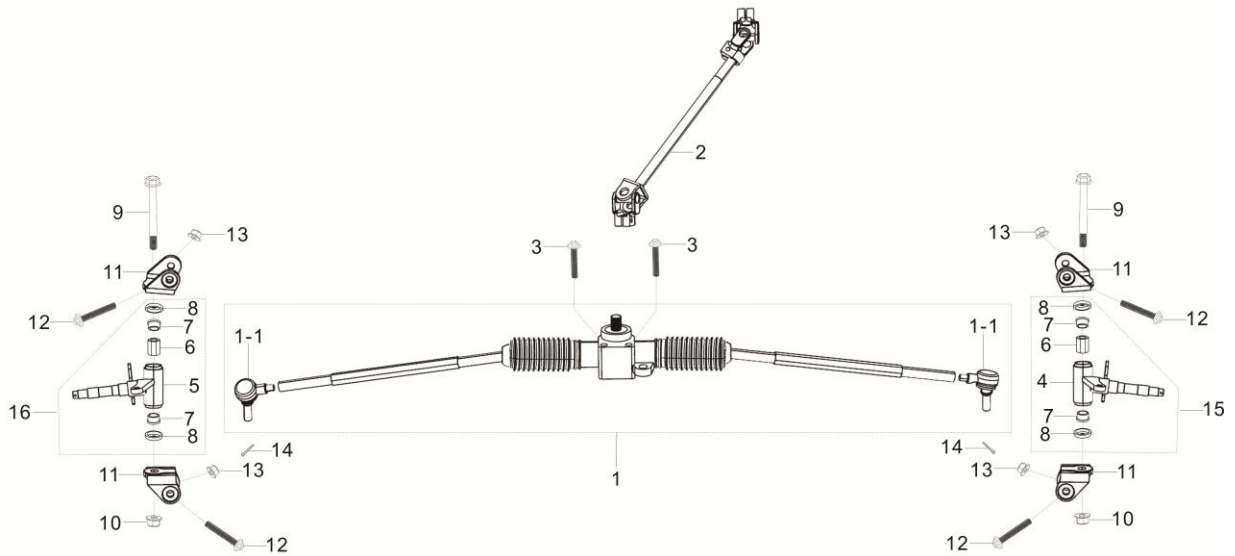
No.	Code	Model	Name	Qty.
1	404000-0207-03		FRONT BRAKE ASSY	1
1-1	404007-0011	AT110	FRONT BRAKE PAD	2
1-2	404008-0011	AT110	FRONT BRAKE CALIPER BRACKET	2
1-3	405009-0034		REAR BRAKE BRACKET	1
1-4	405008-0007	AT110	REAR BRAKE PAD	1
2	903019-0011-03	ATV	FLANGE BOLT-M8*12	4
3	903013-0016-06	ATV	Screw-M8*12	2
4	903002-0004-06	ATV	Flat Washer-Φ8*16*1.5	6
5	903018-0003-06		FLANGE BOLT-M6*12	3
6	405010-0002	TD	REAR BRAKE HOSE CLAMP	4
7	903018-0007		BOLT M6*25	2
8	903007-0003		SELF-LOCKING NUT-M	4
9	903019-0016-03	ATV	FLANGE BOLT M8*30	1
10	903001-0003-02		SPRING WASHER-Φ8*13*2	2
11	903001-0002-03		SPRING WASHER-Φ6	2
12	903018-0004-06	ATV		2

Front Shock Assy



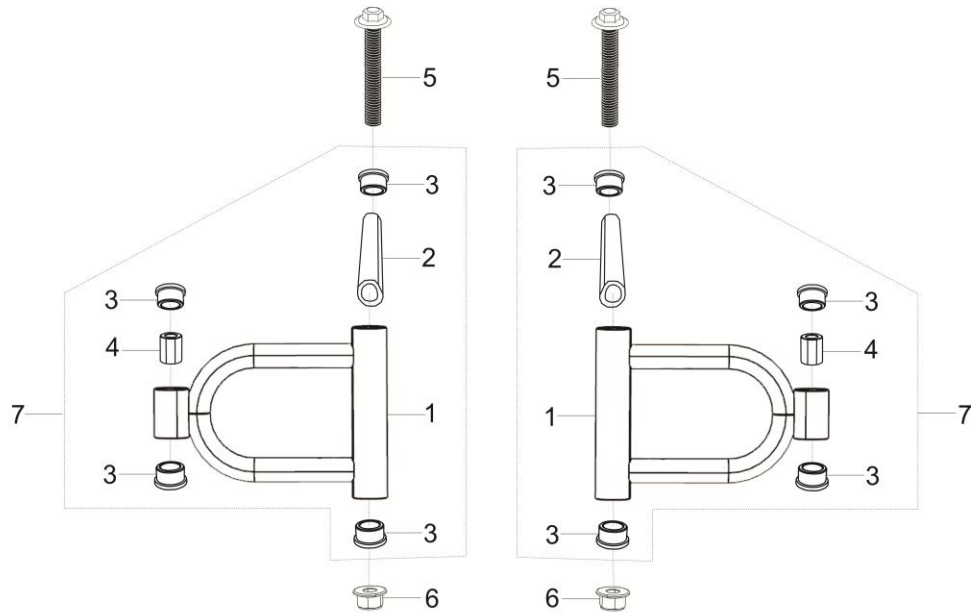
No.	Code	Model	Name	Qty.
1	501000-0137	eS110	FRONT SHOCK ASSY	2
2	903018-0032-06	ATV	FLANGE BOLT-M10*40*1.25	4
3	903007-0006-06	ATV	SELF-LOCKING NUT-M10*1.25	4

Steering Kit



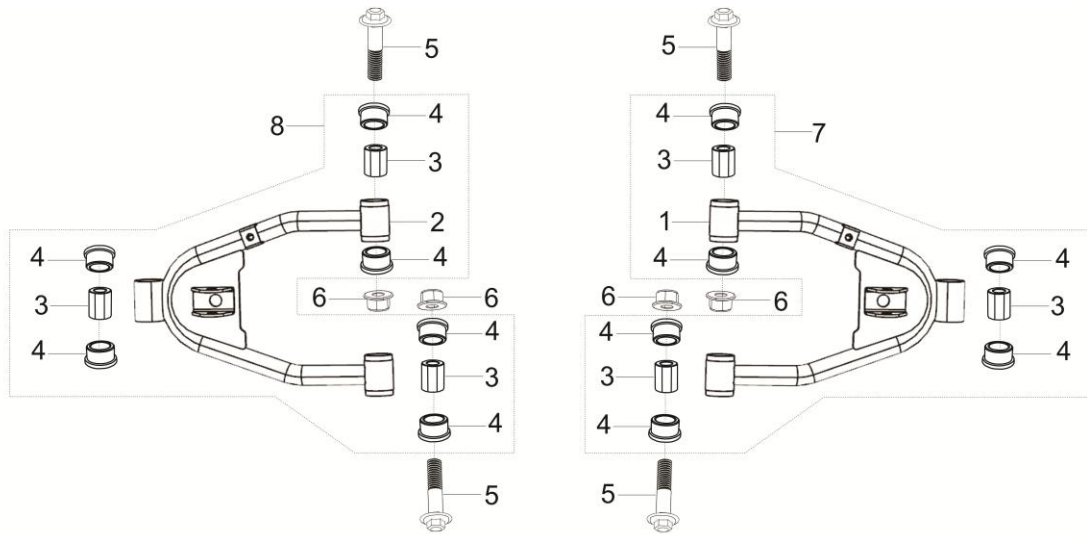
No.	Code	Model	Name	Qty.
1	603001-0037-02		STEERING GEAR ASSEMBLY	1
1-1	603003-0020		TIE ROD END	2
2	603001-0041	eS110	STEERING ROD ASSEMBLY	1
3	903018-0015-03	ATV	SCREW-M8*55	2
4	603002-0055-02	eS110	RIGHT STEERING KNOT	1
5	603002-0054-02	eS110	LEFT STEERING KNOT	1
6	902001-0180	eS110	STEERING KNUCKLE BUSHING	2
7	902002-0038	A250	BUSHING	4
8	908007-0007	AY70	STEERING KNUCKLE RUBBER SEAL CAP	4
9	901001-0041	T6	FLANGED SHAFT	2
10	903007-0008-02	ATV	SELF-LOCKING NUT-M12*1.25	2
11	603004-0018-02	eS125	STEERING KNUCKLE FASTENER	4
12	903018-0048-06	ATV	FLANGE BOLT-M10*75*1.25	4
13	903007-0006-06	ATV	SELF-LOCKING NUT-M10*1.25	4
14	904002-0002-06	ATV	COTTER PIN	2
15	C90004-0238		RIGHT STEERING KNUCKLE ASSEMBLY	1
16	C90004-0237		LEFT STEERING KNUCKLE ASSEMBLY	1

Upper Swing Arm Assy



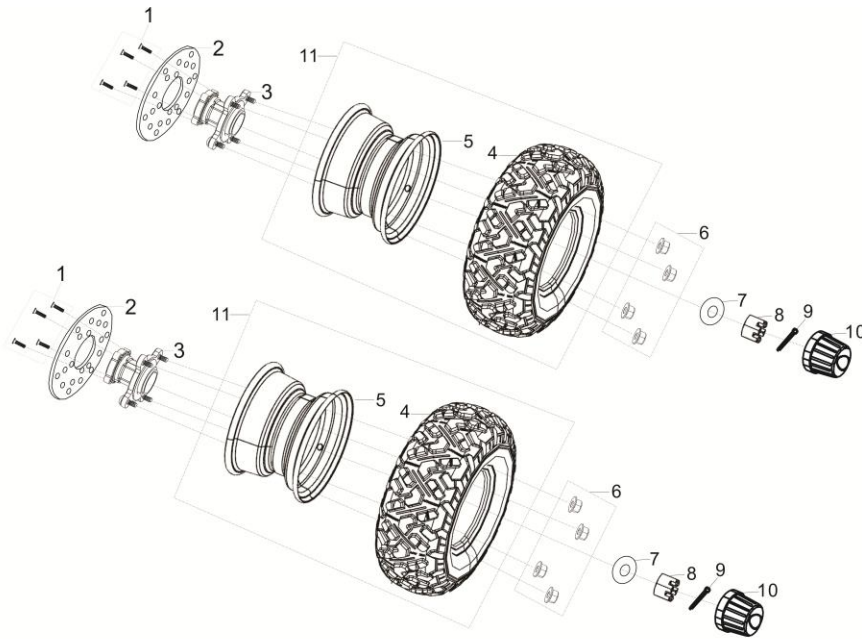
No.	Code	Model	Name	Qty.
1	565000-0095-01	S110	UPPER ROCKER ARM	2
2	902001-0178	eS110	UPPER ROCKER ARM BUSHING	2
3	902002-0074	ATV	BUSHING	8
4	902001-0179	eS110	LOWER ROCKER ARM BUSHING	2
5	903018-0058	S200	FLANGE BOLT-M10*165*1.25	2
6	903007-0006-06	ATV	SELF-LOCKING NUT-M10*1.25	2
7	C90004-0252		UPPER SWING ARM ASSY.	2

Left and Right Lower Rocker Arm Assy.



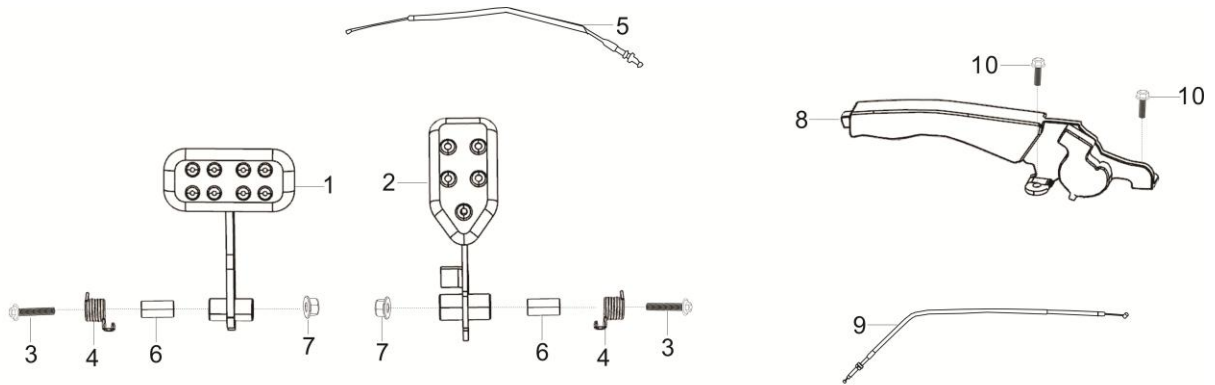
No.	Code	Model	Name	Qty.
1	565000-0097-01	S110	RIGHT LOWER ROCKER ARM	1
2	565000-0096-01	S110	LEFT LOWER ROCKER ARM	1
3	902001-0179	eS110	LOWER ROCKER ARM BUSHING	6
4	902002-0074	ATV	BUSHING	12
5	903018-0035-06		FLANGE BOLT-M10*70*1.25	4
6	903007-0006-06	ATV	SELF-LOCKING NUT-M10*1.25	4
7	C90004-0253		RIGHT LOWER ROCKER ARM ASSEMBLY	1
8	C90004-0254		LEFT LOWER ROCKER ARM ASSEMBLY	1

Front Wheel Assy



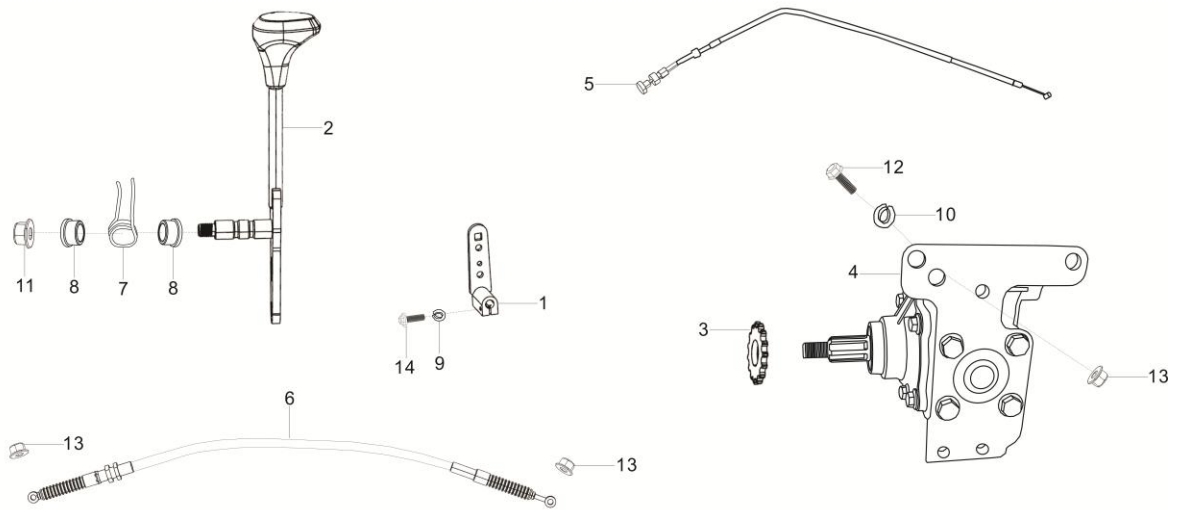
No.	Code	Model	Name	Qty.
1	903014-0001-06	ATV	HEX SOCKET COUNTERSUNK HEAD SCREW M6*16	8
2	404001-0014	AT110	FRONT BRAKE DISC	2
3	401003-0008	AT110	FRONT WHEEL HUB ASSEMBLY	2
4	401006-0042	AT110	FRONT TIRE	2
5	401000-0055	AT110	FRONT RIM	2
6	903007-0005		SELF-LOCKING NUT-M8	8
7	903002-0013-06	ATV	Flat Washer- $\Phi 15*28*2.5$	2
8	903008-0011-02	ATV	SLOTTED NUT-M14*1.5*H18	2
9	904002-0004-04	ATV	COTTER PIN	2
10	401011-0001	AY70	HUB COVER	2
11	C90004-0198	eA70	FRONT LEFT AND RIGHT WHEEL ASSEMBLY	2

Pedal and Hand Brake Assy



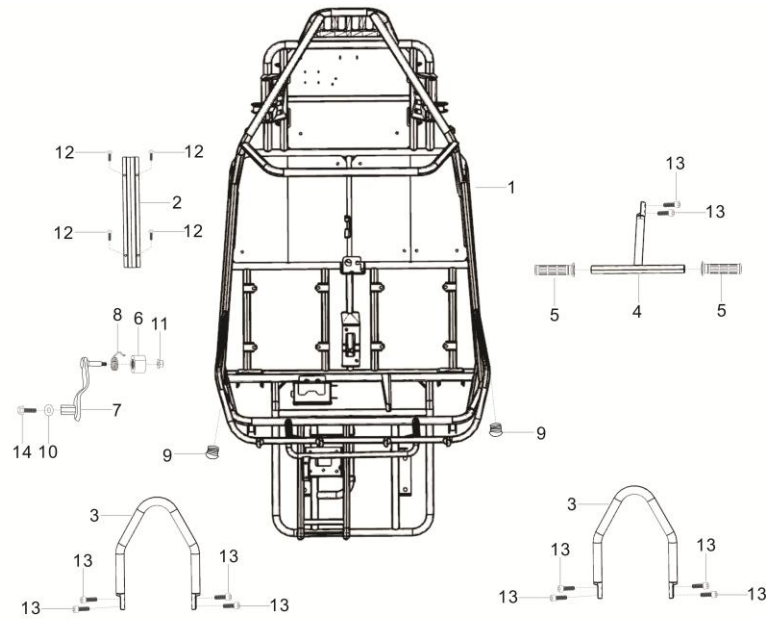
No.	Code	Model	Name	Qty.
1	567000-0044-0201	S110	BRAKE PEDAL	1
2	567000-0045-0201		THROTTLE PEDAL	1
3	903018-0013-06		FLANGE BOLT M8*45	2
4	407001-0015-02		FOOTREST SPRING	2
5	602014-0052		THROTTLE CABLE	1
6	901003-0024		FOOT PEDAL INNER LINING TUBE	2
7	903007-0005		SELF-LOCKING NUT-M8	2
8	201001-0005	S200	HAND BRAKE	1
9	602016-0028-02	eS125	PARKING CABLE	1
10	903019-0012-06	ATV	FLANGE BOLT M8*16	2

Gear Shift Assy



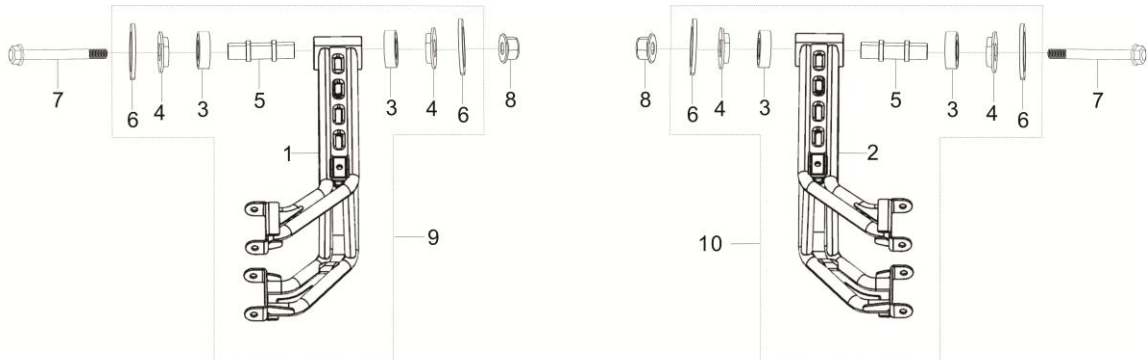
No.	Code	Model	Name	Qty.
1	201001-0011-02		MANUAL GEAR SHIFT ASSEMBLY	1
2	201001-0012		MANUAL SHIFT LEVER	1
3	205004-0041		SMALL SPROCKET ASSEMBLY	1
4	206000-0006-02		REVERSE GEAR ASSEMBLY	1
5	602015-0014		THROTTLE CABLE	1
6	602016-0021	S200	GEAR PULL CABLE ASSEMBLY	1
7	407003-0019		SHIFT LEVER TORSION SPRING	1
8	902002-0094		SHIFT LEVER WEAR-RESISTANT BUSHING	2
9	903001-0002-06	ATV	SPRING WASHER-Φ6	1
10	903001-0006-02		SPRING WASHER-Φ12*20*3	1
11	903007-0007-06		SELF-LOCKING NUT- M10*1.5	1
12	903019-0013-06	ATV	FLANGE BOLT M8*20	1
13	903007-0005		SELF-LOCKING NUT-M8	3
14	903018-0003-06		FLANGE BOLT M6*12	1

Frame Assy



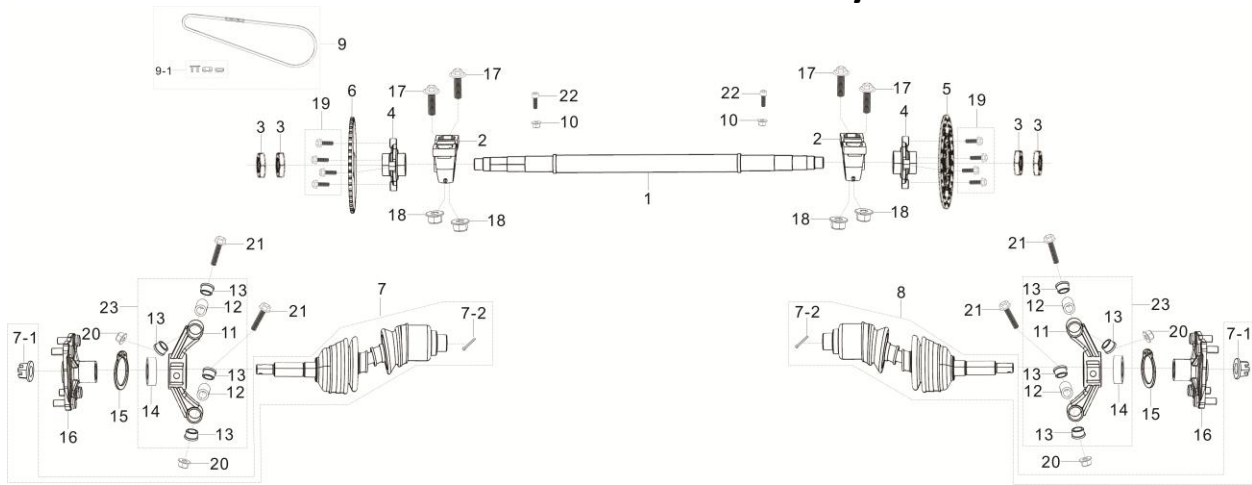
No.	Code	Model	Name	Qty.
1	561000-0160-0201		FRAME ASSEMBLY	1
2	568000-0127-04	S70	WIRE PRESSING PLATE	1
3	568000-0201-01		FABRIC SLEEVE SUPPORT BRACKET	2
4	704000-0040-0001	S125	FRONT HANDLE-ORANGE	2
5	602006-0026	AU150	GRIP	2
6	203004-0016		CHAIN GUIDE WHEEL	1
7	568000-0202-02	S125	TENSIONER BRACKET ASSEMBLY	1
8	407003-0017	eS110	TENSIONER TORSION SPRING	1
9	908004-0015	S200	PLASTIC PLUG	2
10	903002-0005-03	ATV	FLAT WASHER- $\Phi 8 \times 28 \times 1.5$	1
11	903007-0003		SELF-LOCKING NUT-M6	1
12	903018-0003-06		FLANGE BOLT M6*12	4
13	903013-0017-06	ATV	SCREW-M8*16	10
14	903019-0012-06	ATV	FLANGE BOLT M8*16	1

Rear Left And Right Longitudinal Rocker Arm Assy



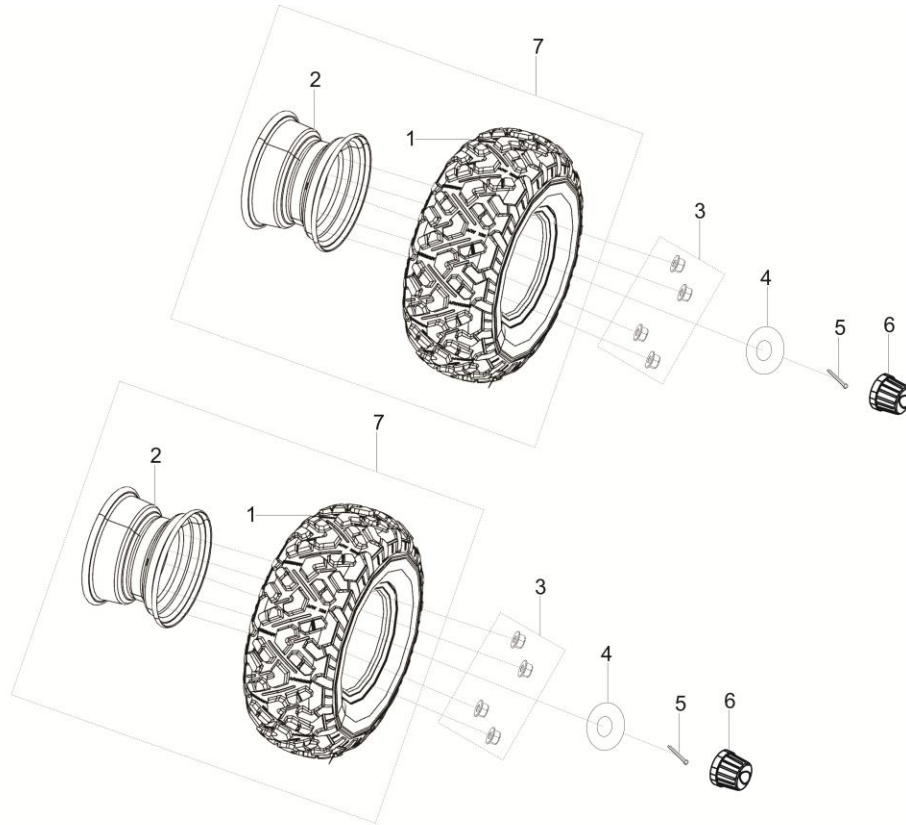
No.	Code	Model	Name	Qty.
1	565000-0113-0001		REAR LEFT LONGITUDINAL ROCKER ARM	1
2	565000-0114-0001		REAR RIGHT LONGITUDINAL ROCKER ARM	1
3	907001-0048	eS110	BEARING	4
4	902002-0083	eS110	LONGITUDINAL ARM T-SHAPED SLEEVE	4
5	902001-0202		LONGITUDINAL ARM INNER LINER TUBE	2
6	903002-0027	eS110	FLAT WASHER $\Phi 28*40*H5$	4
7	901001-0044	K6-R	FLANGED SHAFT	2
8	903007-0008-02	ATV	SELF-LOCKING NUT-M12*1.25	2
9	C90004-0255		REAR LEFT LONGITUDINAL ROCKER ARM ASSEMBLY	1
10	C90004-0256		REAR RIGHT LONGITUDINAL ROCKER ARM ASSEMBLY	1

Rear-wheel drive assembly



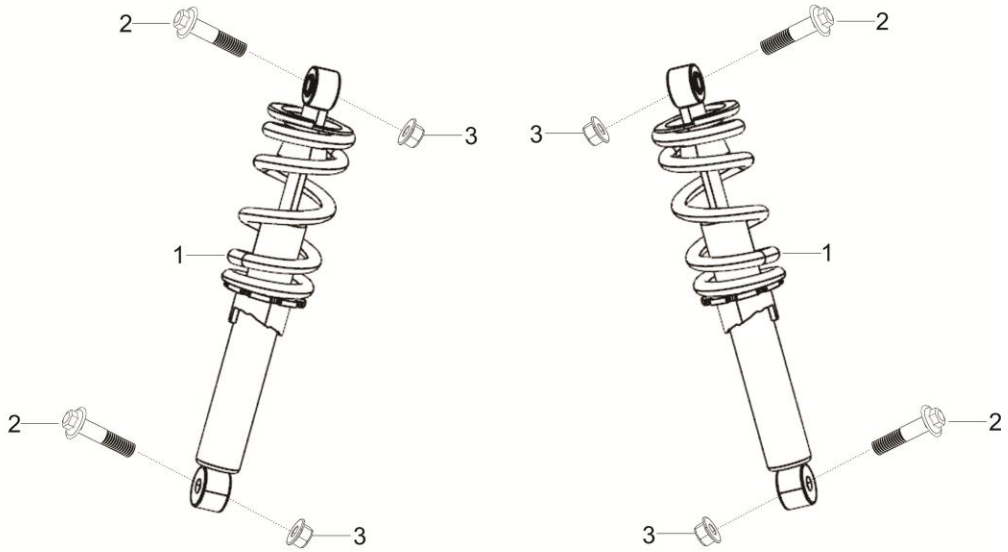
No.	Code	Model	Name	Qty.
1	505001-0027	eS110	REAR WHEEL AXLE	1
2	907001-0053	eS125	BEARING	2
3	903008-0015	ATV	THIN NUT- M22*1.5*H8	4
4	404011-0004	AU10D	DISC BRAKE HUB	2
5	405001-0030	eS110	REAR BRAKE DISC	1
6	205001-0004	AY70	STEEL REAR SPROCKET	1
7	564000-0032	eS110	LEFT REAR AXLE HALF ASSEMBLY	1
7-1	564004-0173		HEX FLANGE SLOTTED NUT- M16*1.5*H21.5	2
7-2	904002-0007		COTTER PIN	2
8	564000-0033	eS110	RIGHT REAR AXLE HALF ASSEMBLY	1
9	203000-0111-02	eA110	CHAIN	1
9-1	203001-0002		CHAIN CONNECTOR	1
10	903006-0003-06	ATV	Self-Locking Nut-M8 S12	2
11	603002-0045-0202		KNUCKLE ASSEMBLY	2
12	902001-0182	eS110	KNUCKLE BUSHING	4
13	902002-0074	ATV	BUSHING	8
14	907001-0047	eS110	BEARING	2
15	903004-0014	eS110	ELASTIC RETAINING RING FOR HOLE	2
16	402003-0021	AT110	REAR WHEEL HUB ASSEMBLY	2
17	903018-0067	eS125	FLANGE BOLT-M12*35*1.25	4
18	903007-0008-02	ATV	SELF-LOCKING NUT-M12*1.25	4
19	903019-0012-06	ATV	FLANGE BOLT M8*16	8
20	903007-0006-06	ATV	SELF-LOCKING NUT- M10*1.5	4
21	903019-0023		HEX FLANGE BOLT (LARGE HEAD) MT- M10*90*1.25	4
22	903013-0021-06	ATV	SCREW-M8*30	2
23	C90004-0244		KNUCKLE ASSEMBLY COMPONENT	2

Rear Wheel Assy



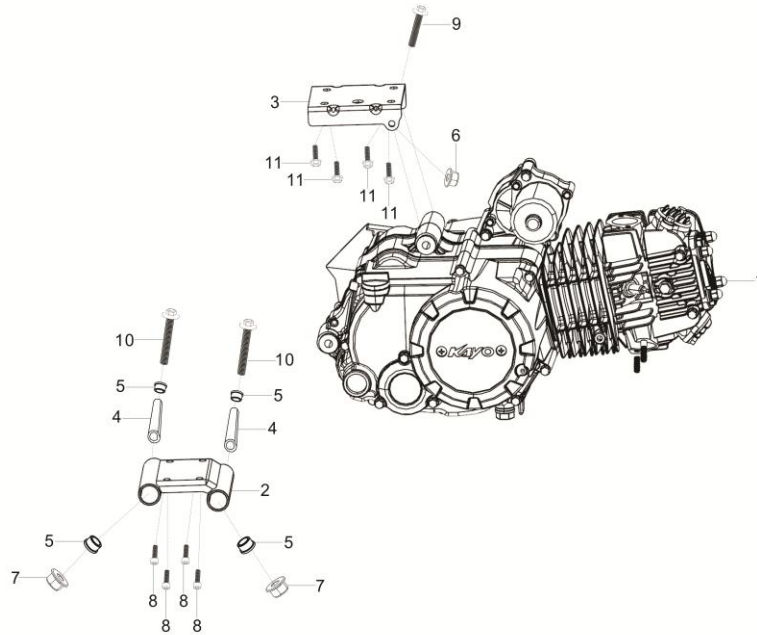
No.	Code	Model	Name	Qty.
1	402006-0031	AT110	REAR TIRE	2
2	402000-0061	AT110	REAR RIM	2
3	903007-0006-06	ATV	SELF-LOCKING NUT- M10*1.5	8
4	903002-0014-02	ATV	FLAT WASHER- $\Phi 17*48*3$	2
5	904002-0006-06	ATV	COTTER PIN	2
6	401011-0001	AY70	HUB COVER	2
7	C90004-0210	AT110	REAR LEFT AND RIGHT WHEEL ASSEMBLY	2

Rear Shock Assy



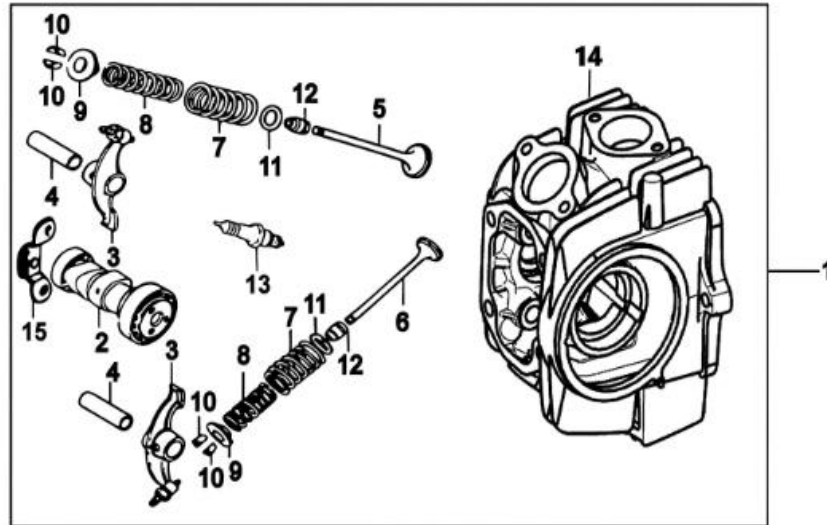
No.	Code	Model	Name	Qty.
1	502000-0098	eS110	REAR SHOCK	2
2	903018-0032-06	ATV	FLANGE BOLT-M10*40*1.25	4
3	903007-0006-06	ATV	SELF-LOCKING NUT-M10*1.25	4

Engine Assy



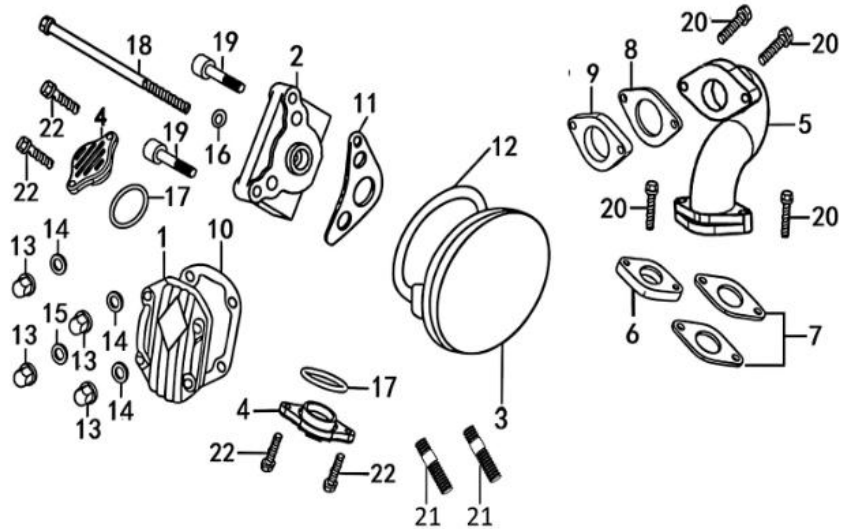
No.	Code	Model	Name	Qty.
1	I01000-0090		C125 ENGINE	1
2	568000-0208-01	S110	ENGINE SUPPORT BRACKET	1
3	568000-0222-01		ENGINE UPPER FIXING PLATE ASSEMBLY	1
4	902001-0191		ENGINE LINER TUBE	2
5	908003-0020		ENGINE BUFFER RUBBER	4
6	903007-0005		SELF-LOCKING NUT-M8	1
7	903007-0006-06	ATV	SELF-LOCKING NUT-M10*1.25	2
8	903013-0017-06	ATV	SCREW-M8*16	4
9	903018-0027-02		FLANGE BOLT M8*130	1
10	903018-0038-06	ATV	FLANGE BOLT-M10*160*1.25	2
11	903019-0012-06	ATV	FLANGE BOLT M8*16	4

Cylinder Head Assy



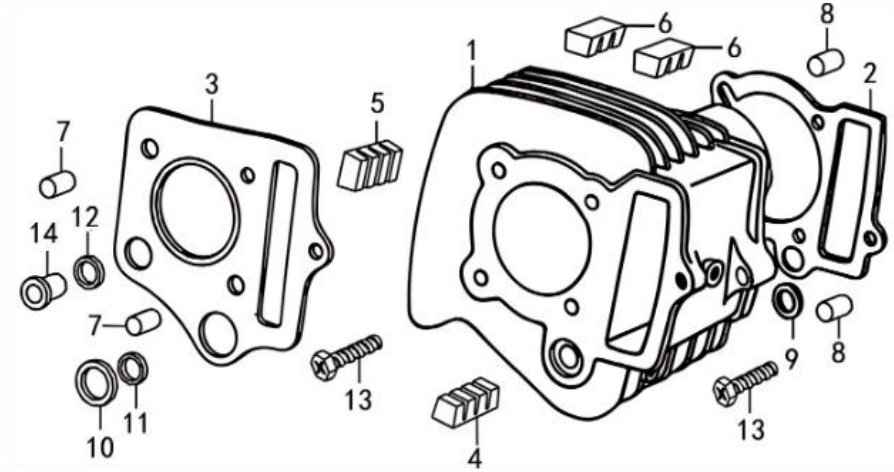
No.	Code	Name	Qty.
1	I01020-0012	CYLINDER HEAD ASSY	1
2	I01021-0030	CAMSHAFT COMPONENT	1
3	H01021-0040	VALVE ROCKER ARM	2
4	H01021-0050	ROCKER ARM SHAFT	2
5	I01021-0060	INTAKE VALVE	1
6	I01021-0070	EXHAUST VALVE	1
7	H01021-0080	VALVE OUTER SPRING	2
8	H01021-0090	VALVE INNER SPRING	2
9	H01021-0100	VALVE SPRING SEAT	2
10	H01021-0110	VALVE LOCKER	4
11	H01021-0120	VALVE SPRING GASKET 16.5×23×0.8	2
12	H01021-0020	VALVE OIL SEAL	2
13	H01020-0060	SPARK PLUG	1
14	I01021-0010-30	CYLINDER HEAD	1
15	I01021-0130	CAMSHAFT LIMITING DEVICE	1

Cylinder Head Cover



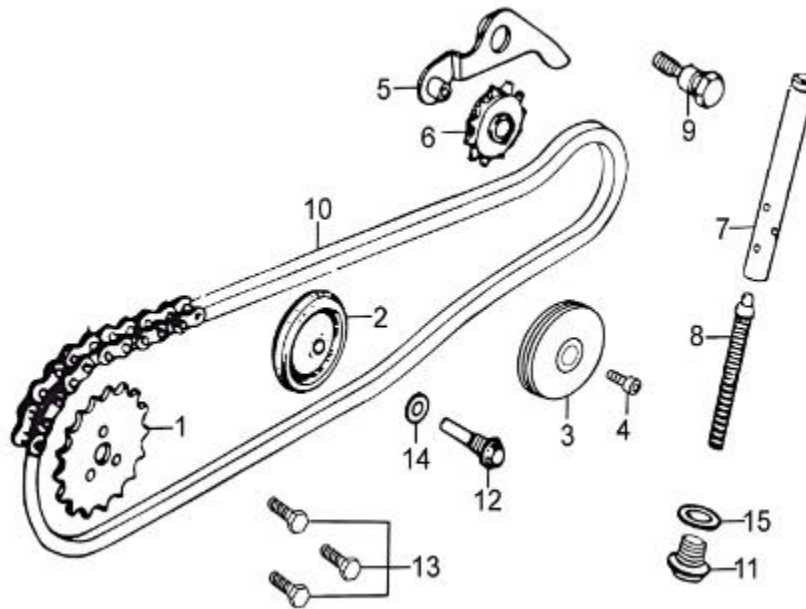
No.	Code	Name	Qty.
1	I01020-0080	CYLINDER HEAD COVER	1
2	J01020-0090	RIGHT CYLINDER COVER	1
3	I01020-0100	LEFT CYLINDER COVER	1
4	I01020-0110	VALVE COVER	2
5	H01080-0020	INTAKE PIPE	1
6	H01080-0030	INSULATION PAD	1
7	H01080-0040	INTAKE PIPE GASKET, NON ASBEST	2
8	I01080-0050	CARBURETOR GASKET, NON ASBEST	1
9	I01080-0060	INSULATION PAD	1
10	I01020-0120	CYLINDER HEAD COVER GASKET, NON ASBEST	1
11	H01020-0130	RIGHT CYLINDER COVER GASKET, NON ASBEST	1
12	I01020-0140	LEFT CYLINDER COVER GASKET, NON ASBEST	1
13	A00145-0701-24	CAP TYPE NUT M7	4
14	A00160-0701	IRON WASHER 7.2×14×2	3
15	A00160-0702	COPPER WASHER 7.3×14×2	1
16	A00160-0604	ALUMINIUM WASHER 6×13×2	1
17	A00280-3001	O-SEAL RING 29.6×3.2	2
18	A00103-0601-25	BOLT M6×110	1
19	A00106-0602-24	HEXAGON SOCKET HEAD CAP SCREWS M6×20	2
20	A00103-0607-24	BOLT M6×28	4
21	A00108-0801-25	STUD M8×35	2
22	A00103-0602-24	BOLT M6×16	4

Cylinder



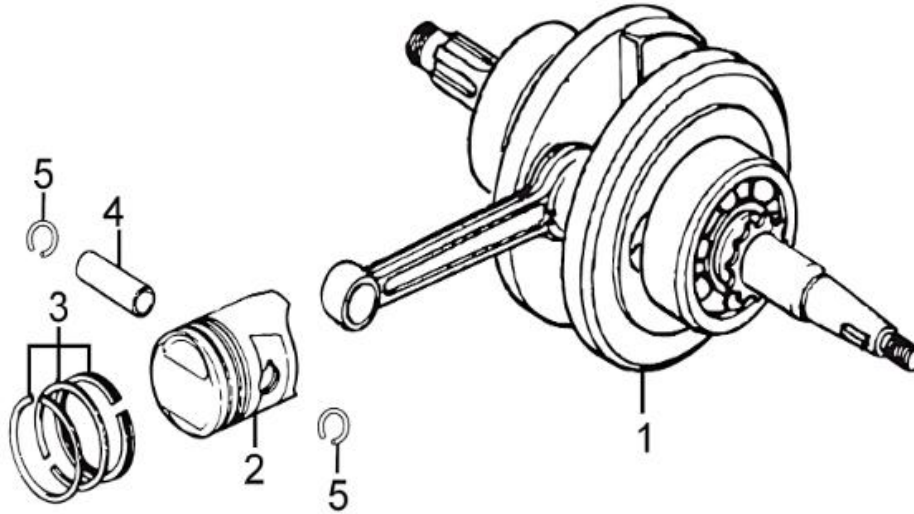
No.	Code	Name	Qty.
1	I01020-0020	CYLINDER	1
2	I01020-0030	CYLINDER GASKET, NON ASBEST	1
3	I01020-0150	CYLINDER HEAD GASKET, NON ASBEST	1
4	H01020-0050	CYLINDER DAMPING RUBBER A	1
5	H01020-0040	CYLINDER DAMPING RUBBER B	1
6	H01020-0210	CYLINDER DAMPING RUBBER C	2
7	A00206-0802	DOWEL PIN 8×14	2
8	A00206-0803	DOWEL PIN 8×12	2
9	H01020-0160	SEAL RING 11.5×16×2.5	1
10	H01020-0170	SEAL RING 14.5×18.5×2.5	1
11	A00181-1101	SQURE IRON RING 15×11×1.5	1
12	H01020-0180	SEAL RING 9×11.5×1.5	1
13	A00128-0601-25	CONNECTING BOLT M6×23	2
14	H01020-0070	BUSH	1

Tentioner



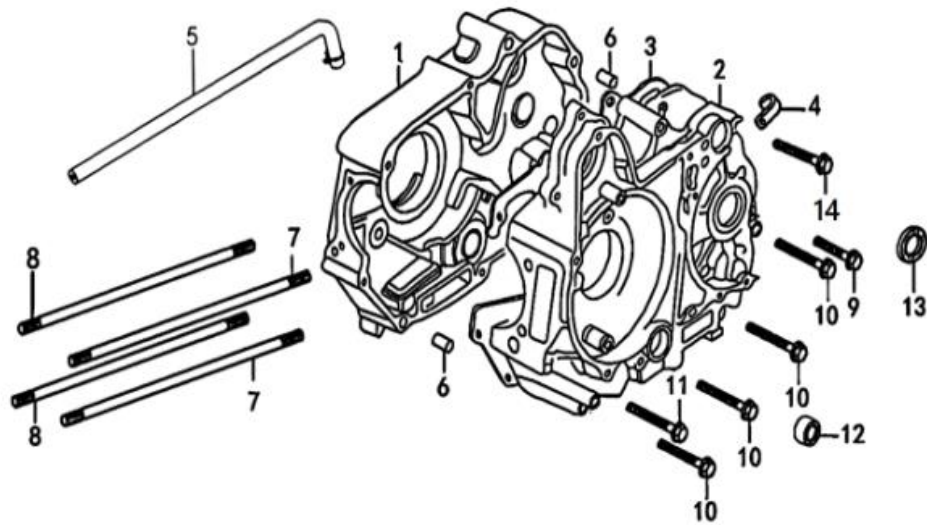
No.	Code	Name	Qty.
1	H01023-0010	TIMING DRIVEN SPROCKET 28T	1
2	H01023-0090-01	CHAIN GUIDE ROLLER	1
3	I01023-0110	CHAIN TENSION ROLLER II	1
4	I01023-0120	CHAIN TENSION ROLLER II PIN SHAFT	1
5	H01023-0030	TENSIONING ARM	1
6	H01023-0040	TENSIONING ROLLER	1
7	H01023-0070	TENSIONING BAR	1
8	H01023-0060	SPRING	1
9	H01023-0050	TENSIONING ARM PIN SHAFT M8×20	1
10	H01023-0020	TIMING CHAIN	1
11	H01023-0130	SEALING SCREW PLUG M14×1.5	1
12	H01023-0100	CHAIN GUIDE ROLLER PIN SHAFT M8×27	1
13	A00100-0501-65	BOLT M5×12	3
14	A00160-0802	ALUMINUM WASHER 8×14×2	1
15	A00160-1402	ALUMINUM WASHER 14×20×1.5	1

Crankshaft/Piston



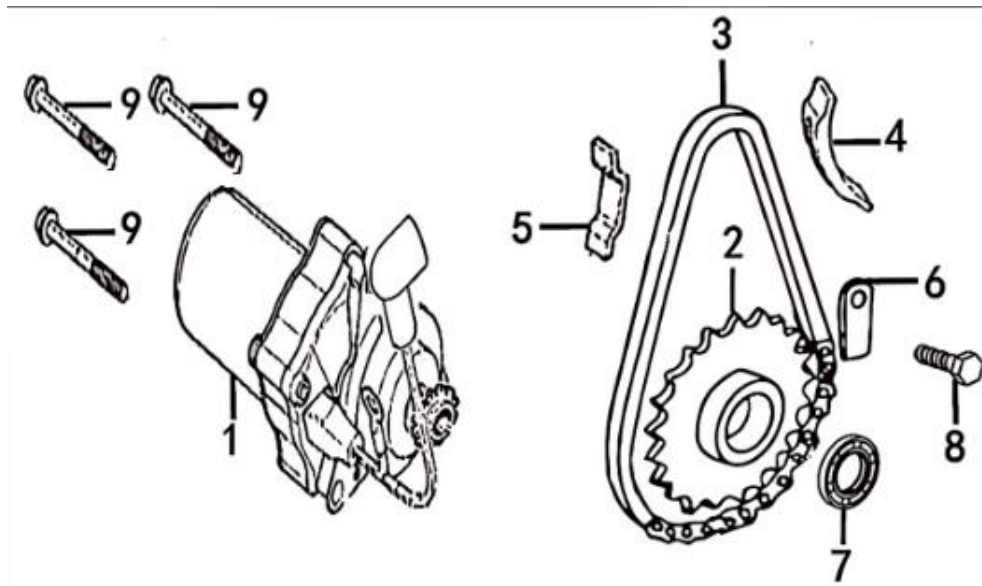
No.	Code	Name	Qty.
1	I01031-0010	CRANK CONNECTING ROD ASSEMBLY	1
2	I01030-0030	PISTON	1
3	I01032-0010-01	PISTON RING SETS	1
4	I01030-0040	PISTON PIN	1
5	I01030-0050	PISTON PIN RETAINING RING	2

Crankcase



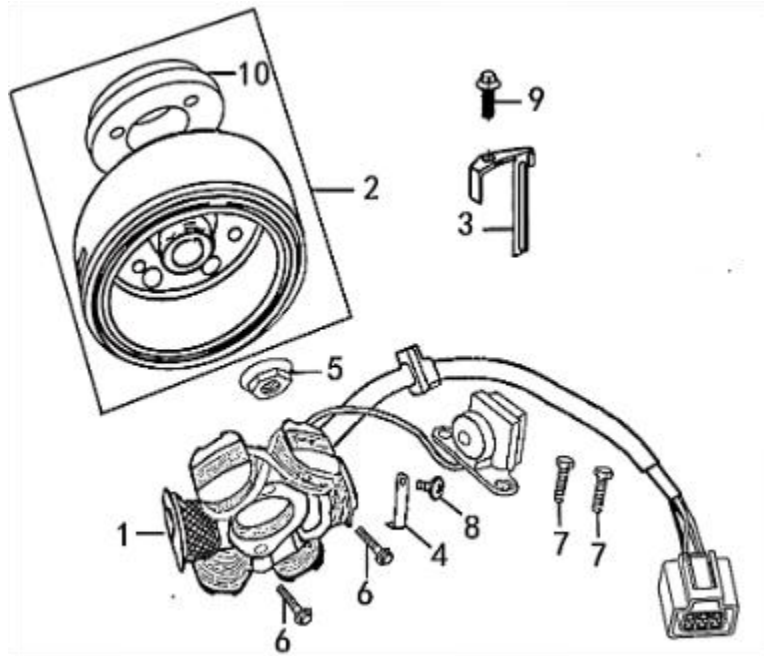
No.	Code	Name	Qty.
1	I01010-0020-01	RIGHT CRANKCASE	1
2	I01010-0010-01	LEFT CRANKCASE	1
3	I01010-0100	CRANKCASE GASKET, NON ASBEST	1
4	H01010-0140	OVERFLOW PIPE CLAMP	1
5	A00343-0901	AIR PIP	1
6	A00206-1001	DOWEL PIN 10×14	2
7	A00108-0702-86	STUD A M7×205	2
8	A00108-0701-86	STUD B M7×195	2
9	A00103-0616-24	BOLT M6×55	1
10	A00103-0613-24	BOLT M6×65	4
11	A00103-0614-24	BOLT M6×70	1
12	A00283-1201	OIL SEAL 11.6×24×10	1
13	A00283-1702	OIL SEAL 17×29×5	1
14	A00103-0612-24	BOLT M6×60	1

Electric Starting Mechanism



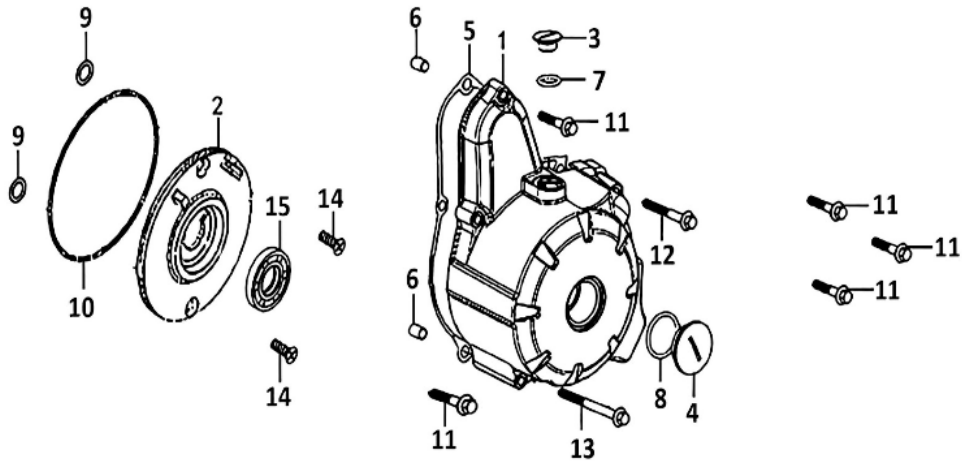
No.	Code	Name	Qty.
1	H0106D-0010	STARTING MOTOR	1
2	H0106D-0030	STARTING SPROCKET 41T	1
3	H0106D-0020	STARTING CHAIN	1
4	H0106D-0040	STARTER CHAIN GUIDE I	1
5	H0106D-0050	STARTER CHAIN GUIDE II	1
6	H0106D-0060	LIMIT PLATE	1
7	A00283-1901	OIL SEAL 18.9×30×5	1
8	A00100-0604-24	HEXAGON HEAD BOLT M6×12	1
9	A00103-0610-24	BOLT M6×50	3

Magneto Comp



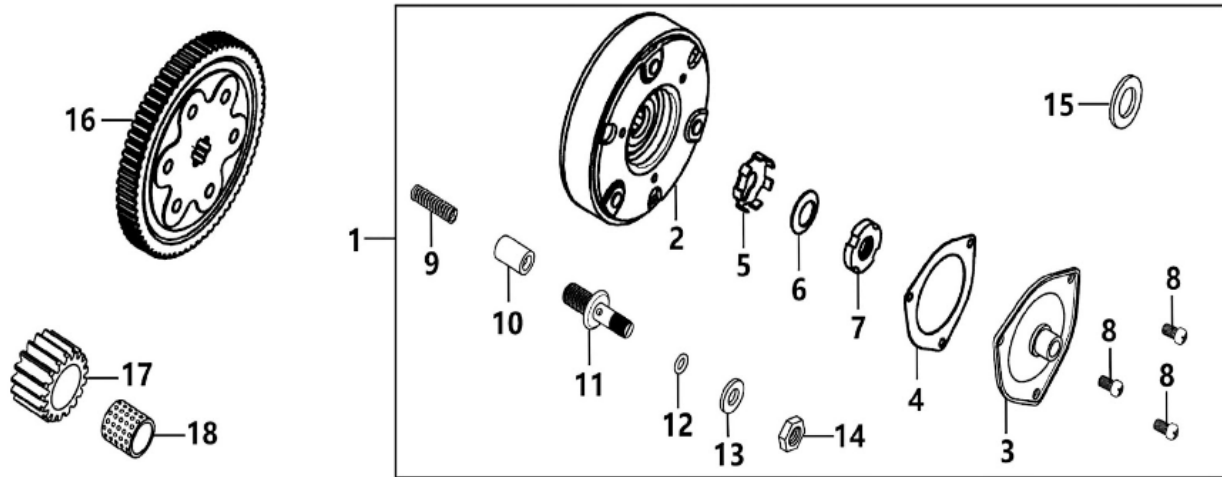
No.	Code	Name	Qty.
1	H01070-0020	MAGNETO STATOR	1
2	H01070-0010	MAGNETO ROTOR	1
3	H01070-0040	PRESSING PLATE	1
4	H01070-0050	PRESSING PLATE	1
5	A00159-1002-23	NUT M10×1.25	1
6	A00103-0605-24	BOLT M6×22	2
7	A00100-0501-24	HEXAGON HEADED BOLT M5×12	2
8	A00124-0501-24	CROSS PAN HEAD SCREW M5×6	1
9	A00103-0602-24	BOLT M6×16	1
10	H02070-0011	ONE-WAY CLUTCH	1

Left Crankcase Cover



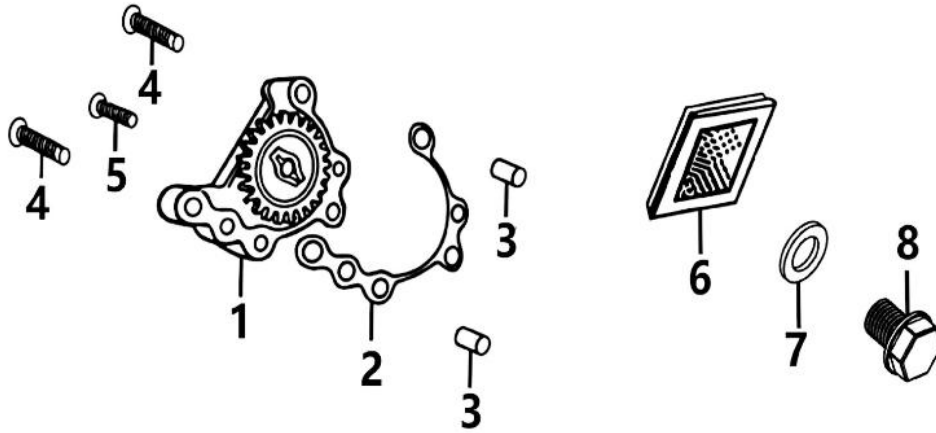
No.	Code	Name	Qty.
1	H01010-0030	LEFT FRONT COVER	1
2	H01010-0070	SEALING OIL PAN	1
3	H01010-0090	CAP, SMALL VIEW HOLE	1
4	H01010-0080	CAP, BIG VIEW HOLE	1
5	H01010-0120	LEFT FRONT COVER GASKET, NON ASBEST	1
6	A00206-0803	DOWEL PIN 8×12	2
7	A00280-1401	O-RING 13.8×2.5	1
8	A00280-2801	O-RING 27.4×2.4	1
9	A00280-0702	O-RING 6.8×1.9	2
10	A00280-0701	O-RING 107×2	1
11	A00103-0608-24	BOLT M6×32	5
12	A00103-0610-24	BOLT M6×50	1
13	A00103-0614-24	BOLT M6×70	1
14	A00126-0601-24	COUNTERSUNK HEAD SCREW M6×16	2
15	A00283-3001	OIL SEAL 30×42×4.5	1

Clutch Components



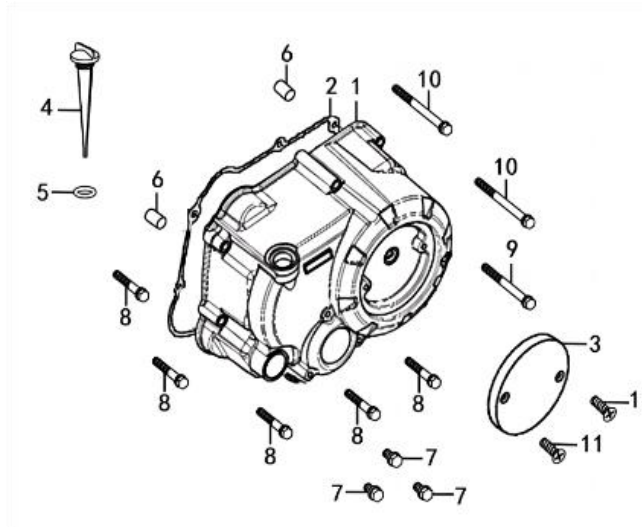
No.	Code	Name	Qty.
1	H01050-0002	CLUTCH COMPONENTS	1
2	H01050-0011	CLUTCH BODY	1
3	D01050-0060	END COVER, CLUTCH	1
4	D01050-0070	END COVER GASKET, NON ASBEST	1
5	A00163-1402	STOP WASHER	1
6	A00164-1401	DISH WASHER	1
7	A00159-1401	LOCK NUT	1
8	A00124-0502-24	SCREW M5×8	3
9	A00440-0601	SPRING	1
10	H01051-0060	TUBING	1
11	H01051-0031	ADJUSTING BOLT	1
12	A00280-0703	O-RING 7.5×1.8	1
13	A00160-0803	IRON WASHER 8×16×2	1
14	A00140-0801-24	NUT M8	1
15	I05051-0050	SPACER SLEEVE 17×29×1.5	1
16	H01050-0021	DRIVEN GEAR COMP 69T	1
17	D01050-0050	ACTIVE GEAR 17T	1
18	H01050-0040	BUSHING	1

OIL PUMP



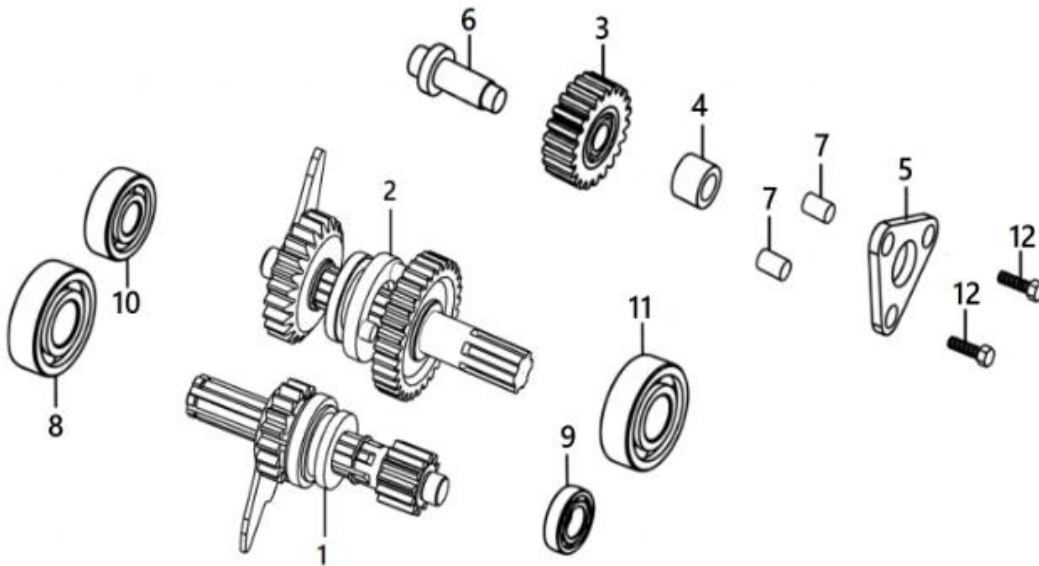
No.	Code	Name	Qty.
1	I01100-0010	OIL PUMP	1
2	I01100-0020	GASKET,OIL PUMP	1
3	A00206-0803	DOWEL PIN 8×12	2
4	A00126-0603-24	COUNTERSUNK HEAD SCREW M6×35	2
5	A00126-0602-24	COUNTERSUNK HEAD SCREW M6×30	1
6	H01100-0030	FILTER SCREEN	1
7	A00160-1201	IRON WASHER 12×20×2	1
8	A00103-1201-24	SCREW PLUG	1

Right Crankcase Cover



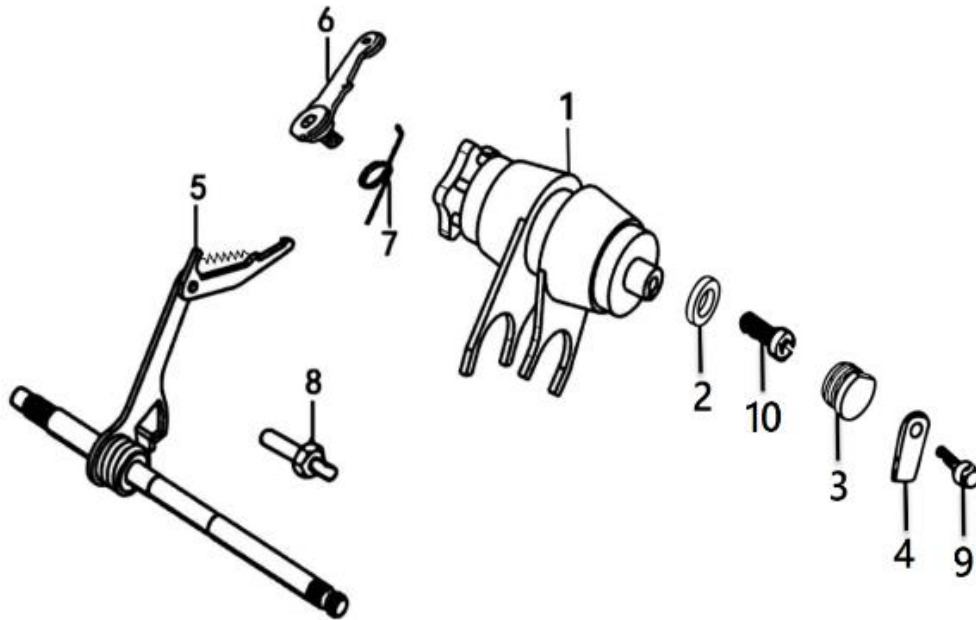
No.	Code	Name	Qty.
1	H01010-0040	RIGHT CRANKCASE COVER	1
2	H01010-0110	RIGHT CRANKCASE COVER GASKET, NON ASBEST	1
3	H01010-0060	TRADEMARK COVER	1
4	H01010-0131	DIPSTICK	1
5	A00280-1801	O-RING 18×3×3.5	1
6	A00206-0803	DOWEL PIN 8×12	2
7	A00103-0611-24	BOLT M6×6	3
8	A00103-0609-24	BOLT M6×40	5
9	A00103-0614-24	BOLT M6×70	1
10	A00103-0617-24	BOLT M6×85	2
11	A00124-0601-24	CROSS PAN HEAD SCREW M6×12	2

Transmission



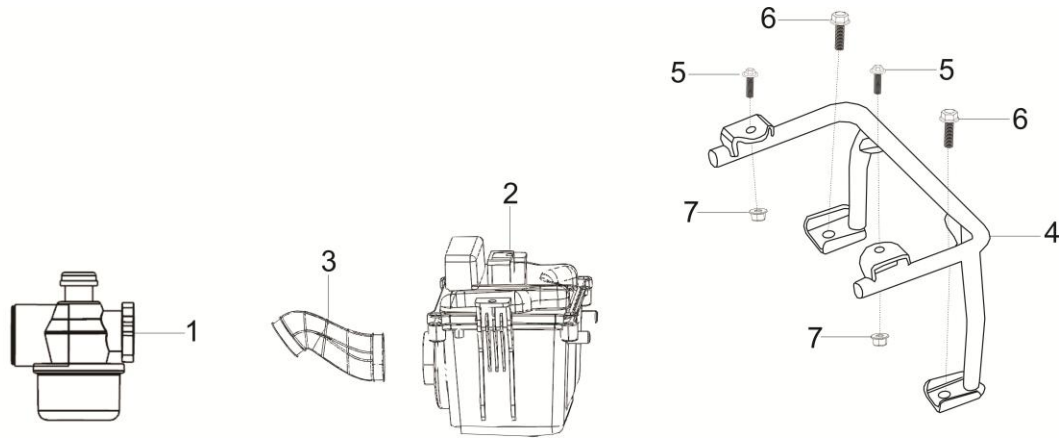
No.	Code	Name	Qty.
1	I01040-0010	MAIN SHAFT TRANSMISSION	1
2	I01040-0021	COUNTER SHAFT TRANSMISSION	1
3	H01040-0050	REVERSE GEAR	1
4	H01040-0080	REVERSE GEAR SHAFT SLEEVE	1
5	H01040-0030	REVERSE GEAR SHAFT POSITIONING PLATE	1
6	H01040-0040	REVERSE GEAR SHAFT	1
7	A00206-0803	DOWEL PIN 8×12	2
8	A00260-1702	BEARING 6203	1
9	A00260-1201	BEARING 6001	1
10	A00260-1202	BEARING 6201	1
11	A00260-1703	BEARING TM6203	1
12	A00100-0603-24	HEXAGON HEADED BOLT M6×22	2

Gearshift



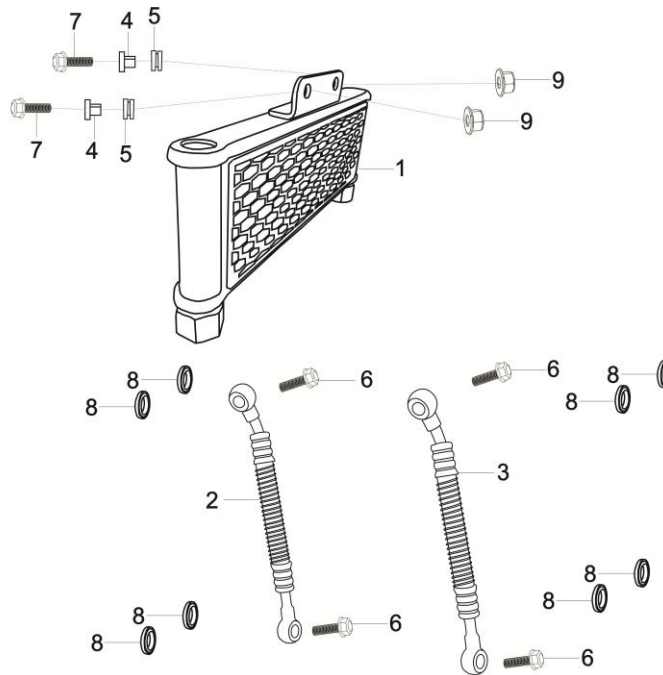
No.	Code	Name	Qty.
1	H01090-0010-01	VARIABLE SPEED DRUM	1
2	A00160-0608	IRON WASHER 6×17×2	1
3	H02090-0110	STOPPER	1
4	H0106D-0060	LIMIT PLATE	1
5	H01090-0020	SHIFT SHAFT	1
6	H01090-0050	POSITIONING PLATE	1
7	H01090-0070	SPRING	1
8	H01090-0080	FIXED BOLT	1
9	A00103-0601-24	BOLT M6×12	1
10	A00106-0601-65	HEXAGONAL SOCKET BOLT M6×16	1

Carburetor And Air Filter Assy



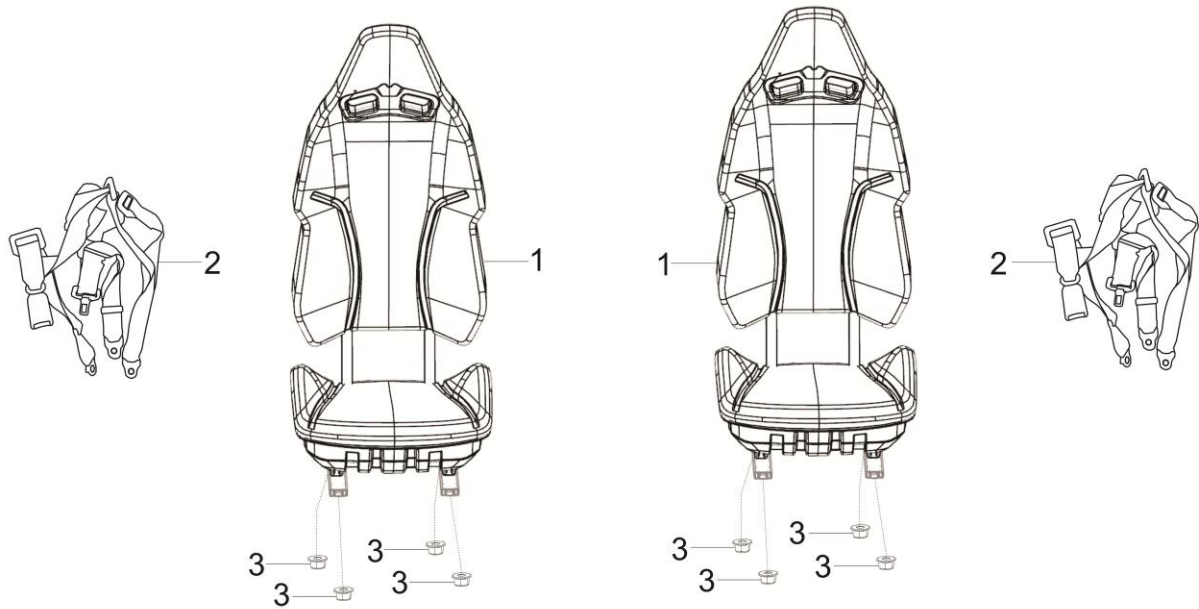
No.	Code	Model	Name	Qty.
1	102000-0123		CARBURETOR	1
2	105000-0024	AU150	WATERPROOF AIR FILTER	1
2-1	906001-0002	A250	CLAMP	1
2-2	105002-0024		AIR FILTER ELEMENT	1
2	105000-0053		WATERPROOF AIR FILTER	1
3	105003-0029			1
4	568000-0254-0002			1
5	903018-0004-06	ATV		2
6	903019-0011-03	ATV		2
7	903007-0003			2

Oil Cooler Components



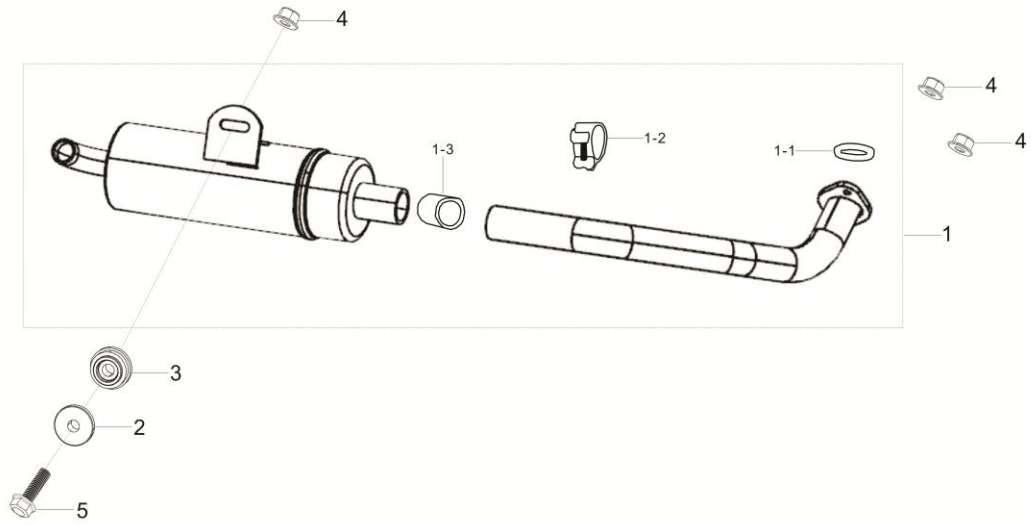
No.	Code	Model	Name	Qty.
1	103001-0003-02		OIL COOLER	1
2	103002-0030		OIL COOLER PIPE A	1
3	103002-0031		OIL COOLER PIPE B	1
4	103003-0001		OIL COOLER BUSHING	2
5	103003-0002		OIL COOLER RUBBER BUSHING	2
6	103003-0005		OIL PASSING BOLT M10*25	4
7	903019-0007		FLANGE BOLT M6*25	2
8	103003-0006	AU150	COMPOSITE FLAT WASHER-Φ10*15*2	8
9	903007-0003		SELF-LOCKING NUT- M6	2

Seat Assy



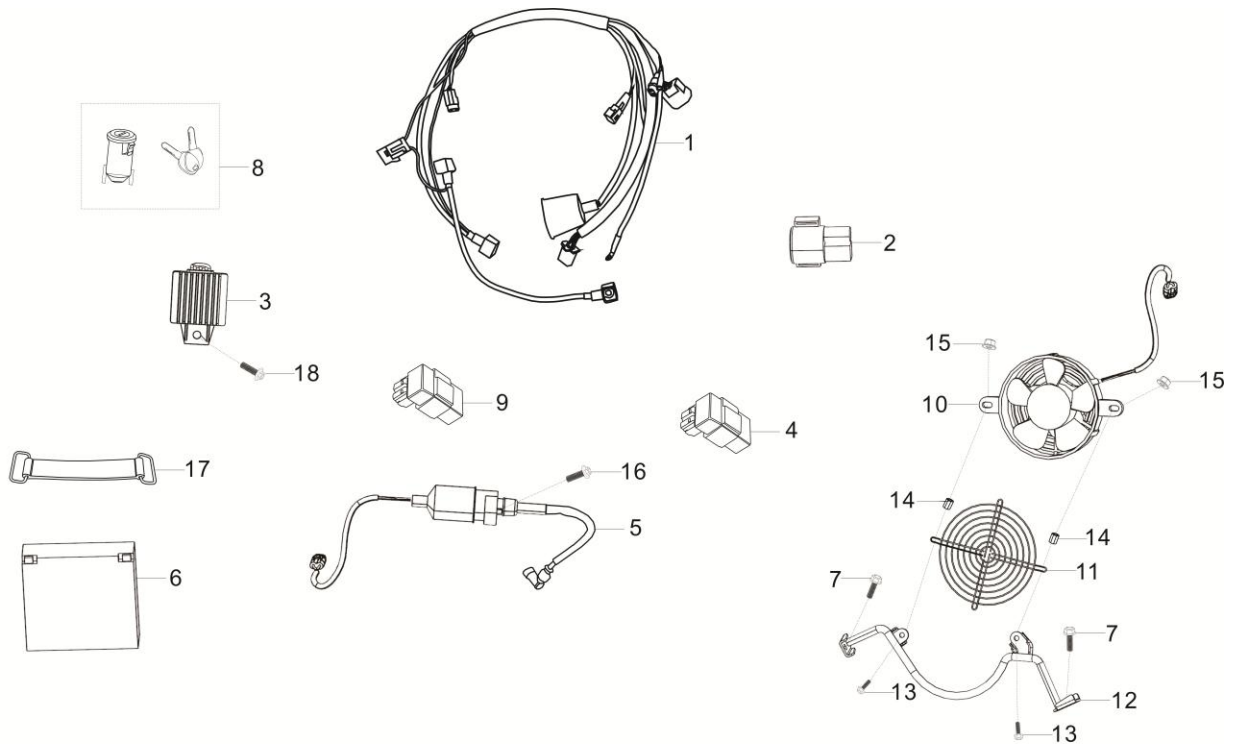
No.	Code	Model	Name	Qty.
1	701000-0061	eS110	SEAT ASSEMBLY	2
2	909011-0085	S125	SAFETY BELT	2
3	903007-0005		SELF-LOCKING NUT-M8	8

Muffler Assy



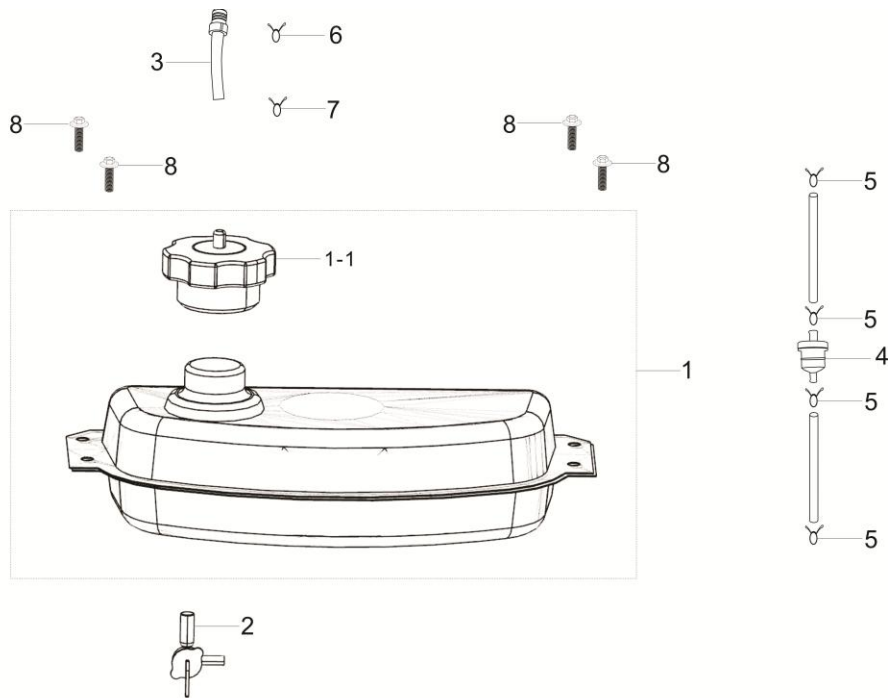
No.	Code	Model	Name	Qty.
1	106000-0013-02		MUFFLER ASSEMBLY	1
1-1	106003-0002		MUFFLER SEAL WASHER	1
1-2	106004-0001	AT125	MUFFLER CLAMP	1
1-3	106006-0042	AT110	MUFFLER GRAOHITES SLEEVE	1
2	902002-0095		CYLINDER BUSHING	1
3	902002-0097	S125	EXHAUST PIPE FIXING SLEEVE	1
4	903007-0005		SELF-LOCKING NUT- M8	3
5	903019-0016-03		FLANGE BOLT M8*30	1

Electric Components



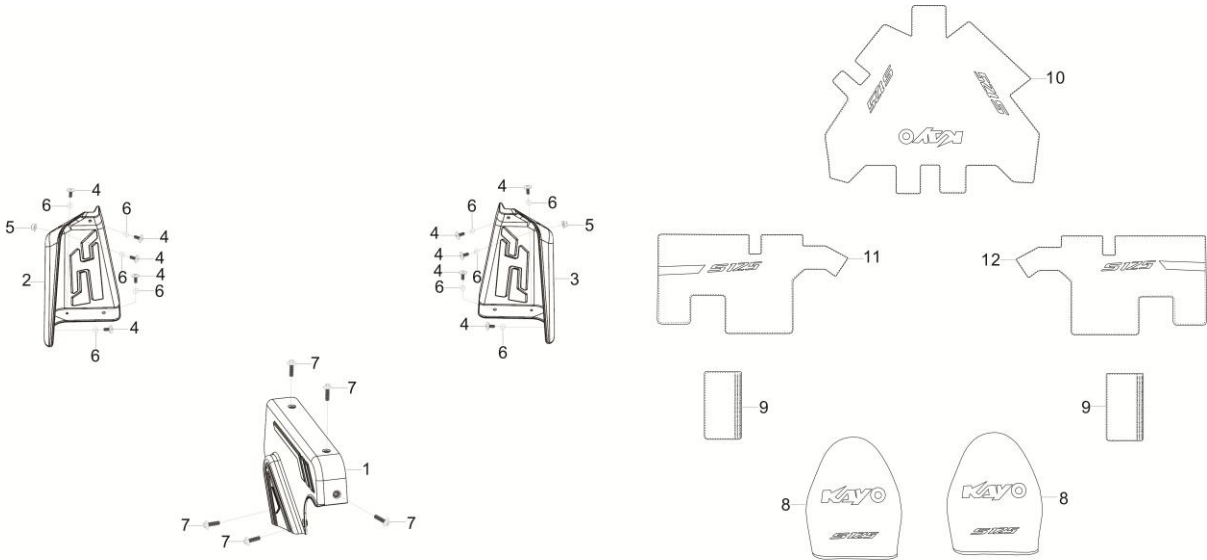
No.	Code	Model	Name	Qty.
1	309001-0232		MAIN CABLE	1
1	309001-0232-02		MAIN CABLE	1
2	301001-0001	T2	RELAY	1
3	302001-0007-02	AY70-2	VOLTAGE REGULATOR	1
4	303001-0021		CDI	1
5	306001-0012-02	AY70-2	IGNITION COIL	1
6	312001-0040		BATTERY	1
7	903019-0011-03		FLANGE BOLT M8*12	2
8	314001-0014	S200	IGNITION LOCK	1
9	316001-0043		SPEED CONTROL MODULE	1
10	104006-0006		RADIATOR FAN	1
11	104006-0007		RADIATOR FAN PROTECTIVE NET	1
12	568000-0226	S125	RADIATOR FAN BRACKET	1
13	903018-0055-06	ATV	FLANGE BOLT M5*20	2
14	902001-0011		FLAT BUSHING	2
15	903007-0001-03		SELF-LOCKING NUT- M5	2
16	903018-0005-06	ATV	FLANGE BOLT M6*20	1
17	908007-0082-02		BATTERY FIX BELT	1
18	903018-0004-06	ATV	FLANGE BOLT M6*16	1

Oil Tank Assy



No.	Code	Model	Name	Qty.
1	805002-0038		OIL TANK	1
1-1	805003-0030		PLASTIC FUEL TANK CAP	1
2	805004-0037		OIL SWITCH	1
2	805004-0036		OIL SWITCH	1
3	805005-0001-07		ONE-WAY BREATHER VALVE	1
4	108001-0003	ATV	GASOLINE FILTER	1
5	906002-0001		CLAMP	4
6	906002-0003		CLAMP	1
7	906002-0004		CLAMP	1
8	903018-0004-06	ATV	FLANGE BOLT M6*16	4

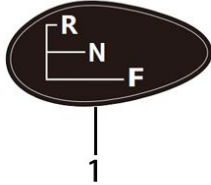
Cover Kit



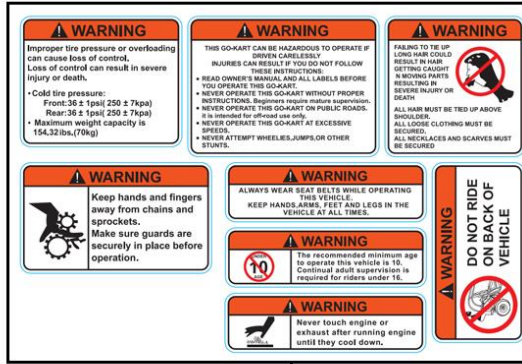
No.	Code	Model	Name	Qty.
1	803012-0058		ELECTRICAL COMPONANT TRIM PANEL	1
2	803013-0010	eS110	LEFT FOOT PEDAL	1
3	803013-0011	eS110	RIGHT FOOT PEDAL	1
4	903020-0055	ATV	HEX SOCKET FLOWER LARGE FLAT HEAD BOLT	10
5	903007-0003		SELF-LOCKING NUT-M6	2
6	908003-0002		RUBBER FLAT WASHER $\Phi 5.5 \times 14.5 \times 2$	10
7	903018-0003-06		FLANGE BOLT M6*12	5
8	909011-0089	S125	SEAT BACK FABRIC COVER	2
9	909011-0083	S150	PROTECTIVE COVER	2
10	909011-0086	S125	FRONT TARPAULIN	1
10	909011-0086-02		FRONT TARPAULIN	1
11	909011-0087	S125	LEFT TARPAULIN	1

11	909011-0087-02		LEFT TARPAULIN	1
12	909011-0088	S125	RIGHT TARPAULIN	1
12	909011-0088-02		RIGHT TARPAULIN	1

Sticker



1



2

No.	Code	Model	Name	Qty.
1	804019-0107	AT110	SHIFT GEAR DROP-PLASTIC MARK	1
1	804019-0106		SHIFT GEAR DROP-PLASTIC MARK	1
2	804019-0147		WARNING LABEL	1