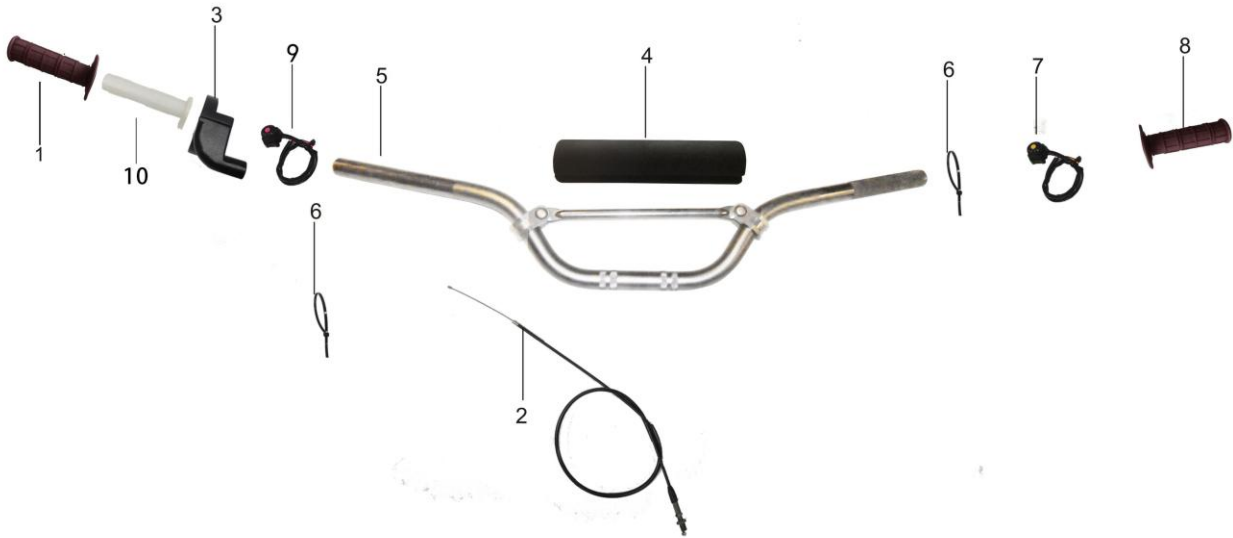


# KT50 MINI Parts Catalog

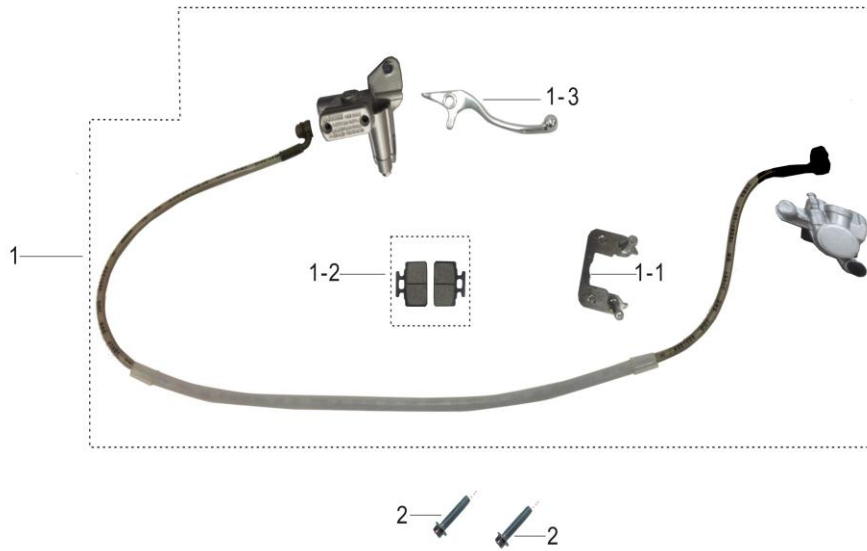


## Handlebar Assy



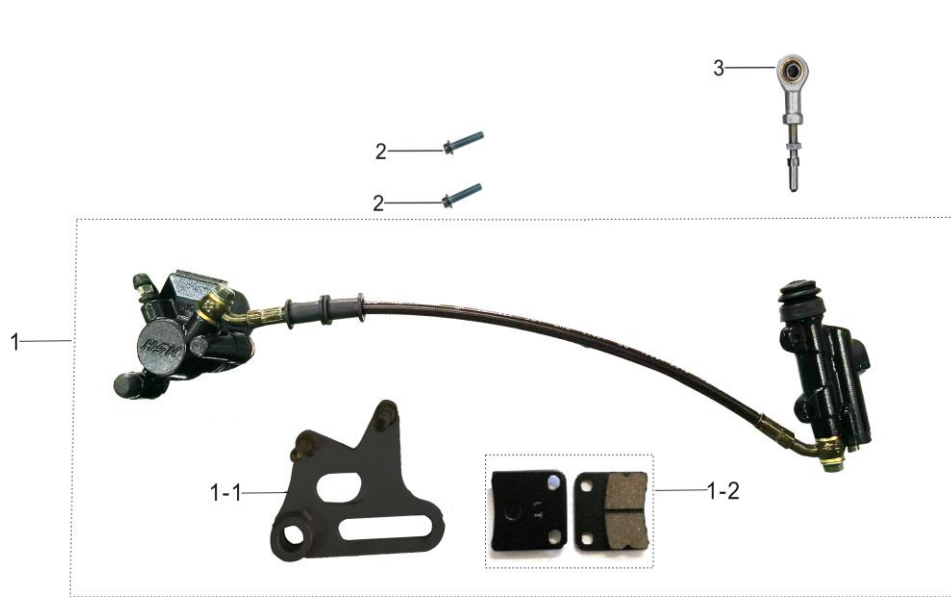
No.	Code	Name	Qty.
1	602006-0005-02	RIGHT BAR GRIP	1
2	602014-0041	THROTTLE CABLE	1
3	602011-0006	THROTTLE PERCH	1
4	602017-0009	HANDLE BAR PAD	1
5	602002-0024	ALUMINIUM HANDLE BAR	1
5	602002-0024-02	ALUMINIUM HANDLE BAR	1
6	906003-0002	CABLE TIES	2
7	313002-0007	START SWITCH	1
7	313002-0007-02	START SWITCH	1
8	602006-0003-02	LEFT BAR GRIP	1
9	313003-0015	STOP SWITCH	1
9	313003-0015-02	STOP SWITCH	1
10	602012-0003	THROTTLE SEAT CORE	1

## Front Brake Assy



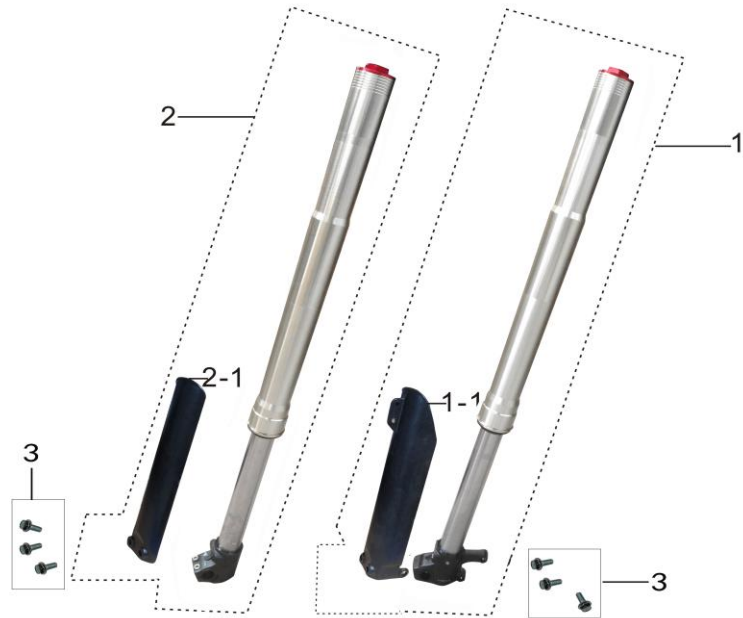
No.	Code	Name	Qty.
1	404000-0183	FRONT BRAKE ASSY	1
1	404000-0183-02	FRONT BRAKE ASSY	1
1-1	404008-0019-02	FRONT BRAKE BRACKET	1
1-2	404007-0022	FRONT BRAKE PAD	1
1-3	404002-0030	BRAKE LEVER	1
2	903019-0010	FLANGE BOLT-M6*35	2
2	903019-0010-03	FLANGE BOLT-M6*35	2

## Rear Brake Assy



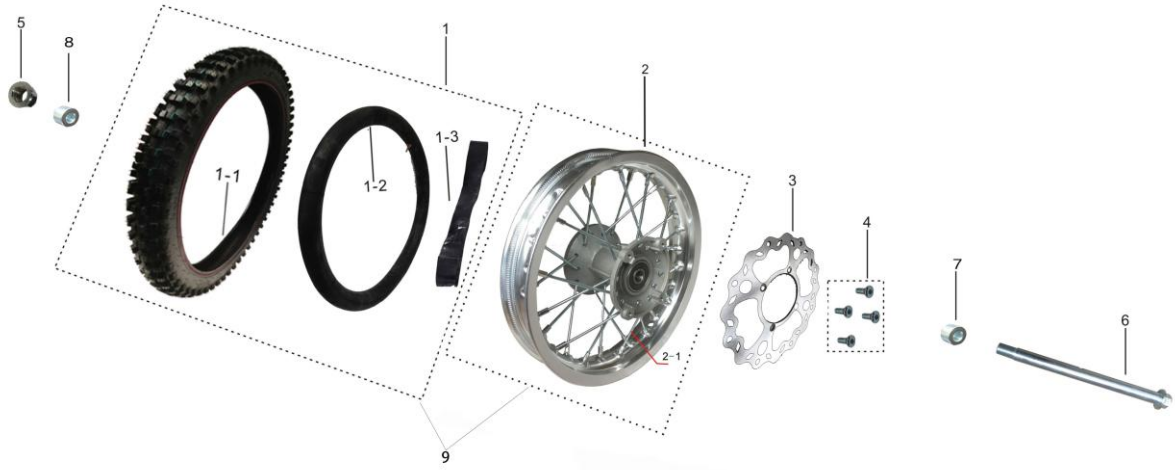
No.	Code	Name	Qty.
1	405000-0136	REAR BRAKE ASSY.	1
1-1	405009-0016-02	REAR BRAKE BRACKET	1
1-2	405008-0019	REAR BRAKE PAD	1
2	903019-0004	FLANGE BOLT-M6*16	2
3	907001-0032	BEARING	1

## Front Shock Assy



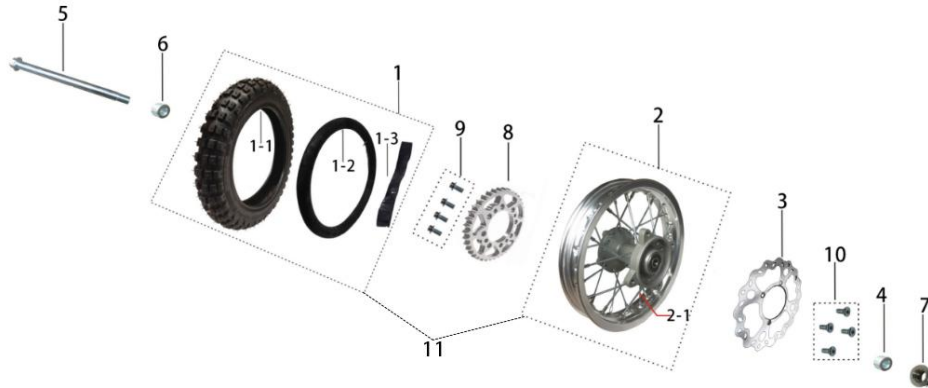
No.	Code	Name	Qty.
1	501000-0131	FRONT LEFT SHOCK	1
1	501000-0131-02	FRONT LEFT SHOCK	1
1-1	501001-0003	FRONT RIGHT SHOCK GUARD	1
2	501000-0132	FRONT LEFT SHOCK COVER	1
2	501000-0132-02	FRONT LEFT SHOCK COVER	1
2-1	501001-0004	FRONT RIGHT SHOCK GUARD	1
3	903019-0004	FLANGE BOLT-M6*16	2

## Front Wheel Assy



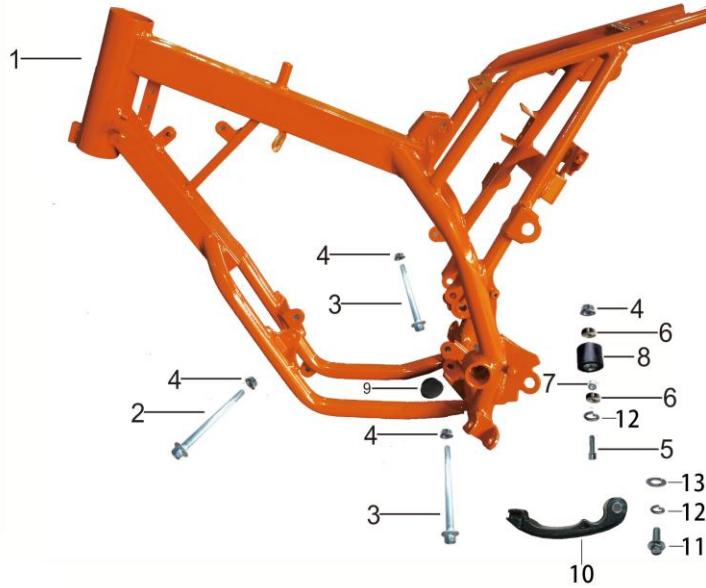
No.	Code	Name	Qty.
1	401005-0036	FRONT TYRE & INNER TUBE ASSY	1
1-1	401006-0047	FRONT TYRE	1
1-2	401007-0003	FRONT INNER TUBE	1
1-3	401008-0001	LINING BELT	1
2	401000-0083	FROM RIM	1
2-1	401004-0022	SPOKE	32
3	404001-0022	FROM BRAKE DISC	1
4	903014-0001	SCREW- M6*16	4
4	903014-0001-03	SCREW- M6*16	4
5	903007-0008	NUT-M12*1.25	1
5	903007-0008-02	NUT-M12*1.25	1
6	901001-0020	FLANGE AXLE	1
7	902001-0046	FLAT BUSH-Φ12*20*H19	1
8	902001-0126	FLAT BUSH-Φ12*20*H23	1
9	C90002-0068	FRONT WHEEL ASSY	1

## Rear Wheel Assy



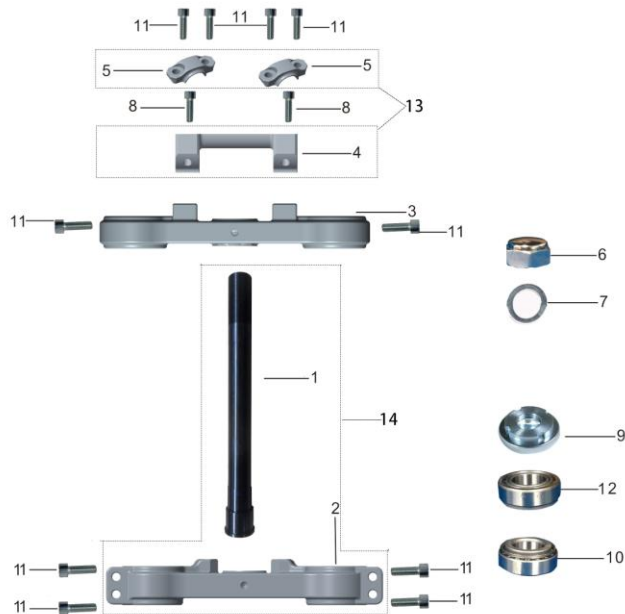
No.	Code	Name	Qty.
1	402005-0036	REAR TYRE & INNER TUBE ASSY	1
1-1	402006-0038	REAR TYRE	1
1-2	402007-0019	REAR INNER TUBE	1
1-3	401008-0001	INNER TUBE BAND	1
2	402000-0091	REAR RIM	1
2-1	402004-0028	SPOKE	32
3	404001-0022	FRONT BRAKE DISC	1
4	902001-0125	FLAT BUSH- $\Phi 12*20*H14.5$	1
5	901001-0017	FLANGE AXLE	1
6	902001-0124	FLAT BUSH- $\Phi 12*20*H4$	1
7	903007-0008	NUT-M12*1.25	1
7	903007-0008-02	NUT-M12*1.25	1
8	205001-0031	STEEL SPROCKET	1
9	903020-0035	BOLT-M8*20	4
10	903014-0001	SCREW-M6*16	4
10	903014-0001-03	SCREW-M6*16	4
11	C90002-0069	REAR WHEEL ASSY	1

## Frame Assy



No.	Code	Name	Qty.
1	551000-0131-01	FRAME	1
2	903018-0016	BOLT-M8*60	1
2	903018-0016-03	BOLT-M8*60	1
3	903018-0018	BOLT-M8*70	2
3	903018-0018-02	BOLT-M8*70	2
4	903007-0005	NUT-M8	4
5	903013-0025	SCREW-M8*45	1
6	907001-0001	BEARING	2
7	902001-0003	FLAT BUSH-Ø8*12*H13	1
8	203004-0014	CHAIN ROLLER	1
9	908004-0007	RUBBER PLUG	1
10	203004-0059	CHAIN SUPPORT	1
11	903019-0018	BOLT-M8*35	1
11	903019-0018-02	BOLT-M8*35	1
12	903001-0004	SPRING WASHER-Ø8*13*2	2
12	903001-0003-02	SPRING WASHER-Ø8*13*2	2
13	903002-0004	FLAT WASHER-Ø8*16*1.5	1
13	903002-0004-03	FLAT WASHER-Ø8*16*1.5	1

## Clamps Assy



No.	Code	Name	Qty.
1	601006-0025	STEERING COLUMN	1
2	601002-0022	LOWER CLAMP	1
3	601001-0026	UPPER CLAMP	1
4	601004-0022	LOWER RAISERS	1
5	601003-0017	UPPER RAISERS	2
6	601005-0001	COVER	1
7	601005-0012	WASHER- $\Phi 23 \times 36 \times 1.5$	1
8	903013-0036	SCREW-M10*30*1.5	2
8	903013-0036-02	SCREW-M10*30*1.5	2
9	601005-0008	DUST SEAL	1
10	907002-0007	LOWER NEEDLE ROLLER BEARING	1
11	903013-0020	SCREW-M8*25	10
11	903013-0020-05	SCREW-M8*25	10
12	907002-0006	UPPER NEEDLE ROLLER BEARING	1
13	C90004-0001	UPPER AND LOWER CLAMPING BLOCK ASSEMBLY	1
14	C90002-0011	LOWER TRIPLE CLAMP ASSEMBLY	1

## Swingarm Kit



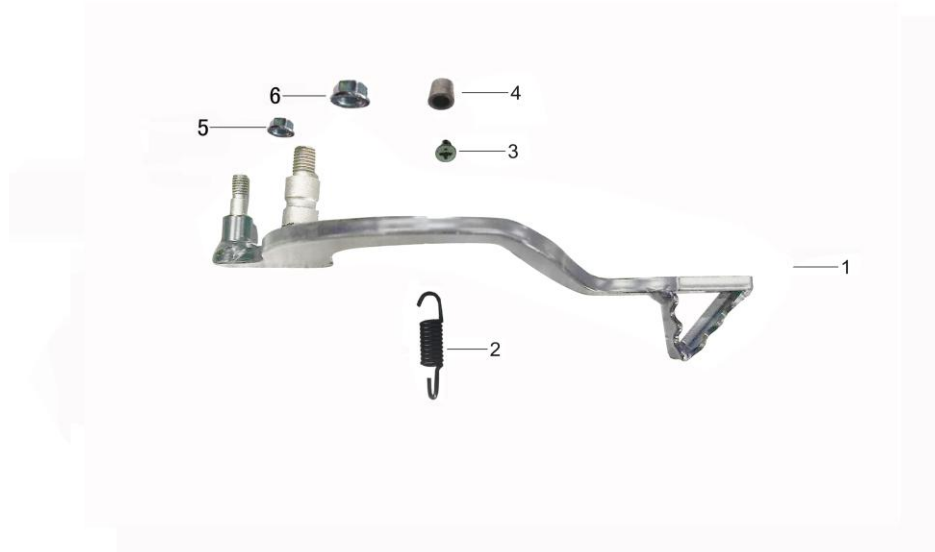
No.	Code	Name	Qty.
1	553000-0053	STEEL SWING ARM	1
1-1	902001-0139	FLAT BUSH- $\Phi$ 12*16*124	1
1-2	203003-0010	CHAIN ADJUSTER	2
2	203004-0043	CHAIN SLIDER	1
3	203004-0042	CHAIN GUARD	1
4	901001-0004	FLANGE AXLE	1
5	405010-0003	REAR DISC BRAKE OIL TUBE CLIP	1
6	907001-0002	BEARING	2
7	908005-0006	RUBBER O RING	2
7	908005-0010	RUBBER O RING	2
8	203000-0047-02	CHAIN	1
8-1	203001-0001-02	CHAIN JOINT	1
9	903007-0006	NUT-M10*1.25	1
9	903007-0006-02	NUT-M10*1.25	1
10	903006-0002	NUT-M6	1
10	903006-0002-03	NUT-M6	1
11	903019-0010	BOLT-M6*35	1
11	903019-0010-03	BOLT-M6*35	1
12	903019-0004	BOLT-M6*16	1
13	903002-0002	FLAT WASHER- $\Phi$ 6*18*1.5	1
13	903002-0002-03	FLAT WASHER- $\Phi$ 6*18*1.5	1
14	903005-0006	NUT-M8	4
14	903005-0006-02	NUT-M8	4
15	903011-0002	SCREW-M6*12	1
15	903011-0002-03	SCREW-M6*12	1
16	C90002-0141	STRAIGHT SWINGARM ASSEMBLY	1

## Rear Shock Assy



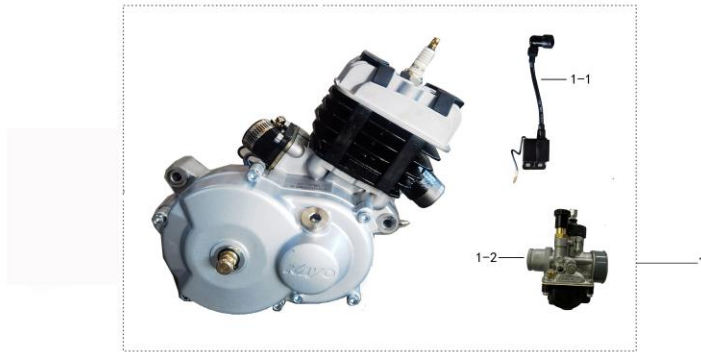
No.	Code	Name	Qty.
1	502000-0083	REAR SHOCK	1
1	502000-0083-02	REAR SHOCK	1
2	901001-0001-02	BOLT-Φ10*45*1.25	2
3	903007-0006	NUT-M10*1.25	2
3	903007-0006-02	NUT-M10*1.25	2

## Brake Pedal Assy



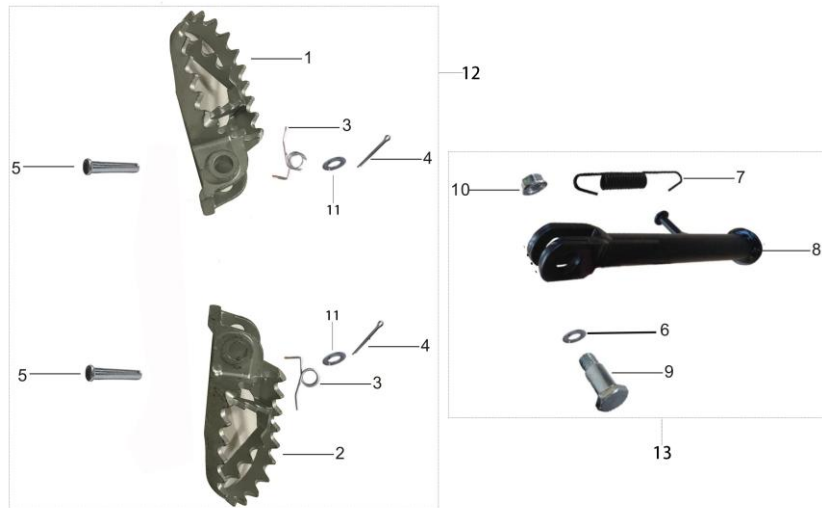
No.	Code	Name	Qty.
1	406001-0039-02	BRAKE PEDAL	1
2	407003-0001	BRAKE PEDAL SPRING	1
3	903014-0001	SCREW-M6*16	1
3	903014-0001-03	SCREW-M6*16	1
4	902001-0127	BUSHING- Φ6.2*16*H9	1
5	903006-0002	NUT-M6	1
5	903006-0002-03	NUT-M6	1
6	903006-0003	NUT-M8	1
6	903006-0003-03	NUT-M8	1
	C90002-0176	BRAKE PEDAL ASSEMBLY	1

## Engine Assy



No.	Code	Name	Qty.
1	A02000-0010	ENGINE	1
1-1	A01072-0010	IGNITION COIL	1
1-2	102000-0073	CARBURETOR	1

## Sidestand & Footpegs Assy



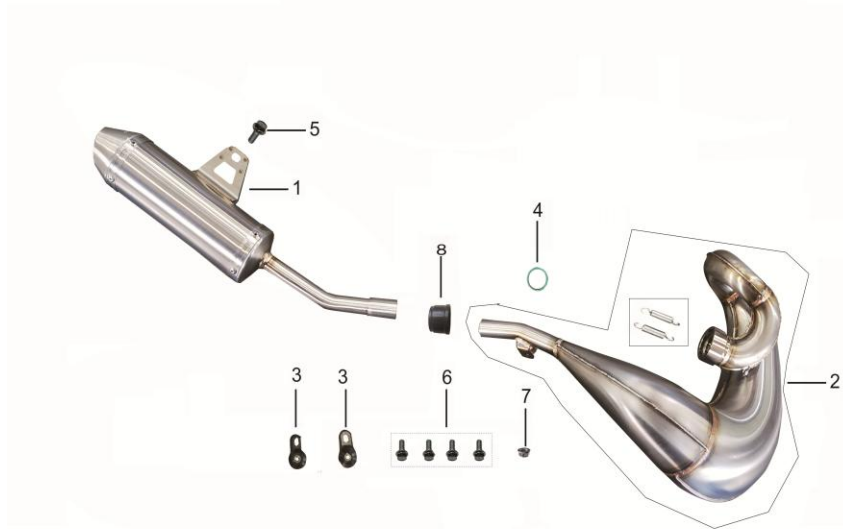
No.	Code	Name	Qty.
1	506003-0028	LEFT FOOTPEG	1
2	506003-0029	RIGHT FOOTPEG	1
3	407001-0014	FOOTPEG SPRING	2
4	904002-0002	COTTER PIN	2
4	904002-0002-03	COTTER PIN	2
5	904001-0001	AXIS PIN	2
6	903002-0011	FLAT WASHER-Φ13*20*1.5	1
6	903002-0011-02	FLAT WASHER-Φ13*20*1.5	1
7	407002-0001	SIDESTAND SPRING	1
8	554000-0033	SIDESTAND	1
9	903020-0002	BOLT-M10*35*1.5 S17	1
9	903020-0002-03	BOLT-M10*35*1.5 S17	1
10	903007-0007	NUT-M10*1.5	1
10	903007-0007-03	NUT-M10*1.5	1
11	903002-0004	FLAT WASHER-Φ8*16*1.5	2
11	903002-0004-03	FLAT WASHER-Φ8*16*1.5	2
12	C90002-0019-02	LEFT AND RIGHT FOOTPEG ASSEMBLY	1
13	C90002-0040	STRAIGHT SIDE STAND ASSEMBLY	1

## Air Filter Assy



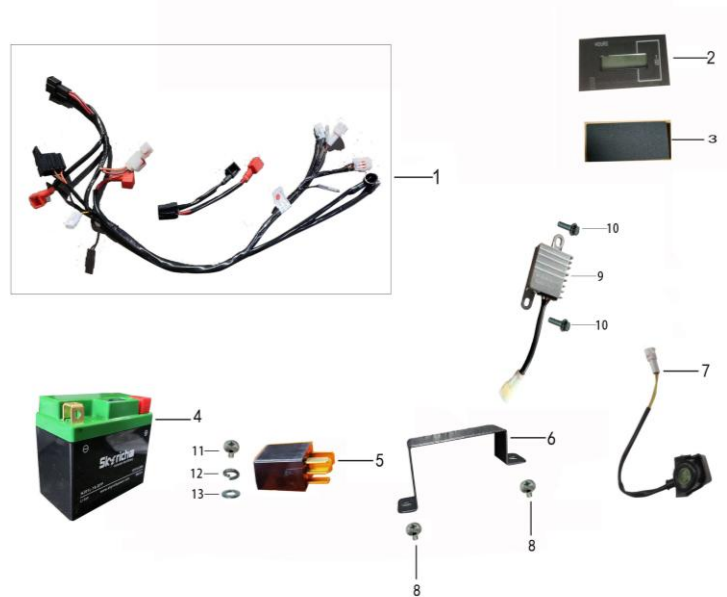
No.	Code	Name	Qty.
1	906001-0008	HOOP	1
2	105003-0018	AIR FILTER RUBBER ELBOW	1
3	105002-0012	AIR FILTER SPONGE	1
4	105002-0013	AIR FILTER MESH	1
5	801019-0010	AIR FILTER COVER	1

## Muffler Assy



No.	Code	Name	Qty.
1	106002-0045	MUFFLER	1
2	106001-0119	MUFFLER PIPE	1
3	106006-0027	MUFFLER PIPE CONNECTOR	2
4	908005-0009	RUBBER O RING	1
5	903019-0012	BOLT-M8*16	1
5	903019-0012-03	BOLT-M8*16	1
6	903019-0002	BOLT-M6*12	4
7	903006-0002	NUT-M6	1
7	903006-0002-03	NUT-M6	1
8	106006-0028	MUFFLER SEAL	1

## Electric Component Assy



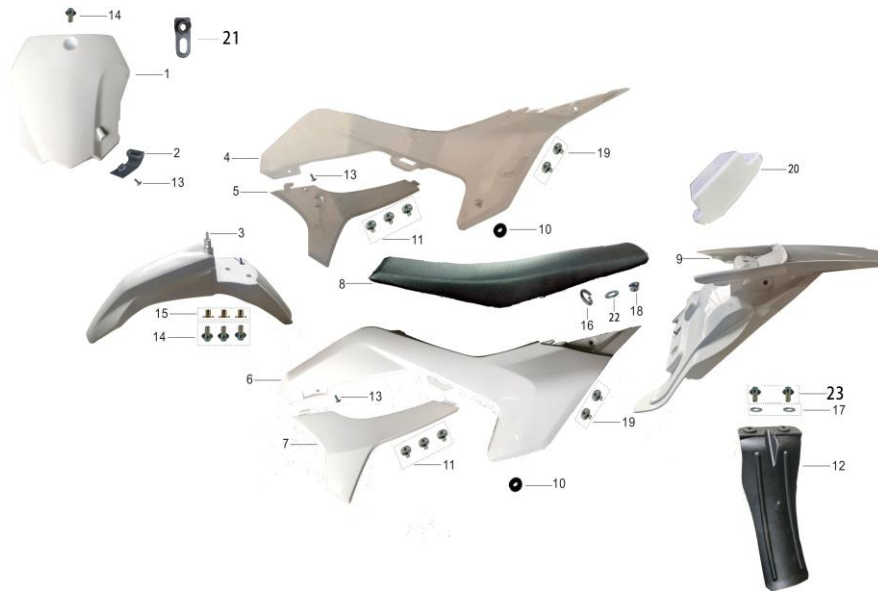
No.	Code	Name	Qty.
1	309001-0145	MAIN CABLE	1
2	311001-0022	HOUR METER	1
3	909010-0016	DOUBLE-SIDED TAPE	1
4	312001-0046	LITHIUM BATTERY	1
4	312001-0046-02	LITHIUM BATTERY	1
5	301001-0007	RELAY	1
6	555000-0184	BATTERY FIXING BRACKET	1
7	301001-0001	RELAY	1
8	903012-0007	SCREW-TM6*16	2
8	903012-0007-03	SCREW-TM6*16	2
9	316002-0018	CHARGER	1
9	316001-0030	VOLTAGE STABILIZER	1
10	903019-0002	BOLT- M6*12	2
11	903012-0001	SCREW-TM5*10	1
11	903012-0001-03	SCREW-TM5*10	1
12	903001-0001	SPRING WASHER-Φ5	1
12	903001-0001-02	SPRING WASHER-Φ5	1
13	903002-0001	FLAT WASHER-Φ6*12*1.5	1
13	903002-0001-03	FLAT WASHER-Φ6*12*1.5	1

## Fuel Tank Assy



No.	Code	Name	Qty.
1	805001-0036	FUEL TANK	1
1-1	805003-0018	PLASTIC FUEL TANK CAP	1
1-2	805004-0005	FUEL TANK SWITCH	1
2	805005-0001-06	VENTILATION VALVE	1
3	903019-0007	BOLT-M6*25	1
4	103003-0001	OIL COOLER MOUNTING BUSHING	1
5	903002-0002	FLAT WASHER-Φ6*18*1.5	1
5	903002-0002-03	FLAT WASHER-Φ6*18*1.5	1
6	906002-0005	TUBE CLIP	2
7	908003-0002	RUBBER FLAT WASHER Φ5.5*14.5*2	1

## Plastic Assy



No.	Code	Name	Qty.
1	801019-0002-02	NUMBER PLATE	1
1	801019-0002-03	NUMBER PLATE	1
2	801019-0001	WIRE CLIP	1
3	801019-0003-02	FRONT MUD FENDER	1
3	801019-0003-03	FRONT MUD FENDER	1
4	801019-0005-02	RIGHT UPPER COVER	1
4	801019-0005-03	RIGHT UPPER COVER	1
5	801019-0007-02	RIGHT LOWER COVER	1
5	801019-0007-03	RIGHT LOWER COVER	1
6	801019-0004-02	LEFT UPPER COVER	1
6	801019-0004-03	LEFT UPPER COVER	1
7	801019-0006-02	LEFT LOWER COVER	1
7	801019-0006-03	LEFT LOWER COVER	1
8	701000-0040	SEAT	1
9	801019-0011	CENTER GUARD COVER	1
9	801019-0011-03	CENTER GUARD COVER	1
10	908007-0034	ROUND CHIP	2
11	903012-0011	SCREW-TM6*10	6
11	903012-0011-03	SCREW-TM6*10	6
12	801019-0009	SMALL MUD FENDER	1
13	903010-0006	SCREW-ST4.8*12	3
13	903010-0006-03	SCREW-ST4.8*12	3
14	903019-0004	BOLT-M6*16	4
15	902002-0042	STEP BUSHING	3
16	903001-0004	SPRING WASHER-Φ8*13*2	1

16	903001-0003-02	SPRING WASHER-Φ8*13*2	1
17	903002-0002	FLAT WASHER-Φ6*18*1.5	2
17	903002-0002-03	FLAT WASHER-Φ6*18*1.5	2
18	903008-0032	NUT-M8	1
19	903012-0006	SCREW-TM6*12	6
19	903012-0006-03	SCREW-TM6*12	4
20	801019-0012	BATTERY BACK COVER	1
20	801019-0012-03	BATTERY BACK COVER	1
21	555000-0039	HEAD COVER UPPER BRACKET	1
22	903002-0004	FLAT WASHER-Φ8*16*1.5	1
22	903002-0004-03	FLAT WASHER-Φ8*16*1.5	1
23	903018-0003-03	BOLT- M6*12	2
	C90002-0052	PLASTIC PARTS ASSEMBLY	1

## Sticker Assy



No.	Code	Name	Qty.
1	802020-0007	STICKER	1
1	802020-0007-02	STICKER	1
1	802020-0008	HANDLEBAR PAD COVER	1
2	802013-0012	WARNING LABEL	1