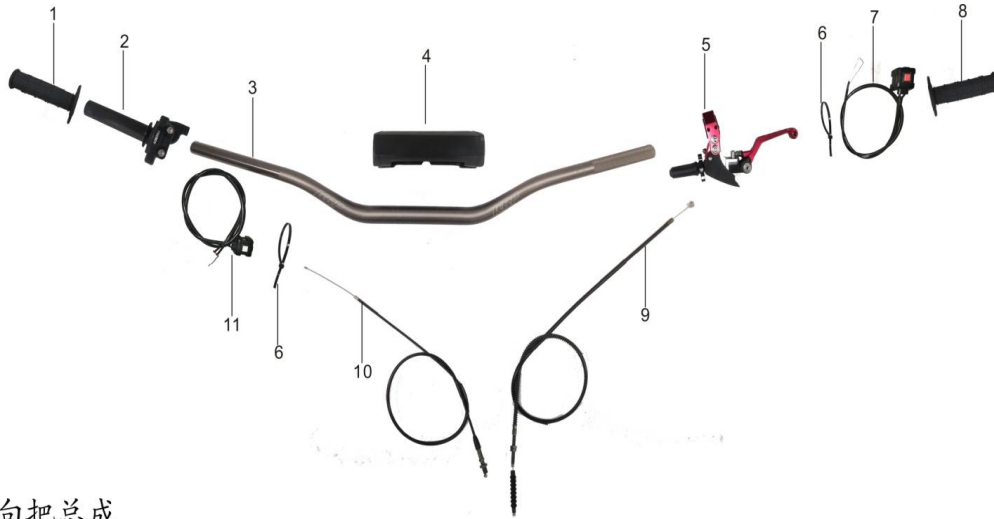


KT250 Parts Catalog



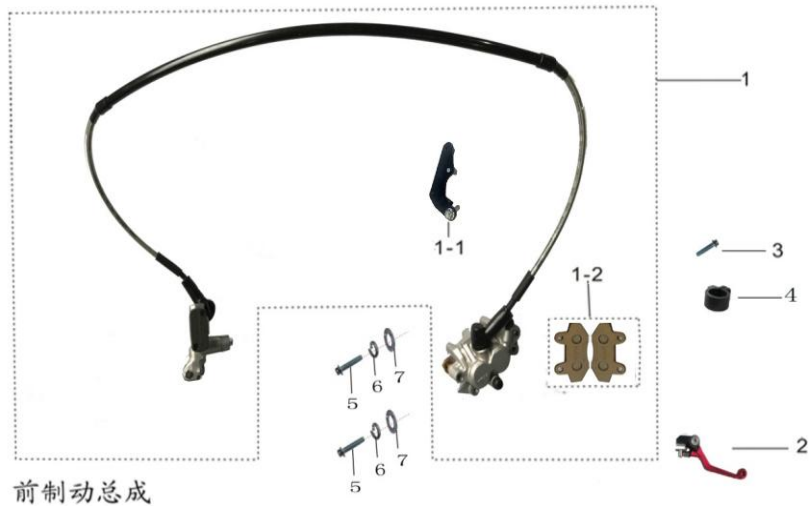
Handlebar Assy



方向把总成

No.	Code	Name	Qty.
1	602006-0019	RIGHT GRIP	1
2	602011-0011	THROTTLE PERCH	1
3	602002-0022	ALUMINIUM HANDLEBAR	1
3	602002-0025	ALUMINIUM HANDLEBAR	1
3	602002-0025-03	ALUMINIUM HANDLEBAR	1
4	602017-0010	BAR PADDING CORE	1
4	602017-0005	BAR PADDING CORE	1
5	602007-0023	CLUTCH LEVER ASSY.	1
5	602007-0019-02	CLUTCH LEVER ASSY.	1
6	906003-0002	PLASTIC BELT	2
7	313003-0013	STOP SWITCH	1
8	602006-0018	LEFT GRIP	1
9	602013-0017	CLUTCH CABLE	1
9	602013-0025	CLUTCH CABLE	1
10	602014-0025	THROTTLE CABLE	1
10	602014-0025-02	THROTTLE CABLE	1
11	313002-0005	START SWITCH	1

Front Brake Assy



No.	Code	Name	Qty.
1	404000-0065	FRONT BRAKE ASSY.	1
1	404000-0175	FRONT BRAKE ASSY.	1
1-1	404008-0008	FRONT BRAKE BRACKET	1
1-1	404008-0018	FRONT BRAKE BRACKET	1
1-2	404007-0020	FRONT BRAKE PAD	1
1-2	404007-0019	FRONT BRAKE PAD	1
2	404002-0023	BRAKE LEVER	1
2	404002-0024	FRONT BRAKE LEVER	1
3	903018-0004	BOLT-M6*16	1
3	903018-0004-03	BOLT-M6*16	1
4	801014-0012	WIRE CLIP	1
5	903018-0012	BOLT-M8*40	1
5	903018-0012-03	BOLT-M8*40	2
6	903001-0004	SPRING WASHER-Φ8*13*2	2
6	903001-0003-02	SPRING WASHER-Φ8*13*2	2
7	903002-0004	FLAT WASHER-Φ8*16*1.5	2
7	903002-0004-03	FLAT WASHER-Φ8*16*1.5	2

Rear Brake Assy



后制动总成

No.	Code	Name	Qty.
1	405000-0048	REAR BRAKE ASSY.	1
1	405000-0109	REAR BRAKE ASSY.	1
1	405000-0109-04	REAR BRAKE ASSY.	1
1-1	405009-0006	REAR BRAKE BRACKET	1
1-1	405009-0014	REAR BRAKE BRACKET	1
1-2	405008-0017	REAR BRAKE PAD	1
1-2	405008-0015	REAR BRAKE PAD	1
2	903020-0023	SCREW-M6*16	2
3	405011-0001	REAR BRAKE PUMP PROTECTOR	1
4	405011-0002	REAR BRAKE DISC PROTECTOR	1
5	903018-0003	BOLT-M6*12	4
5	903018-0003-03	BOLT-M6*12	4

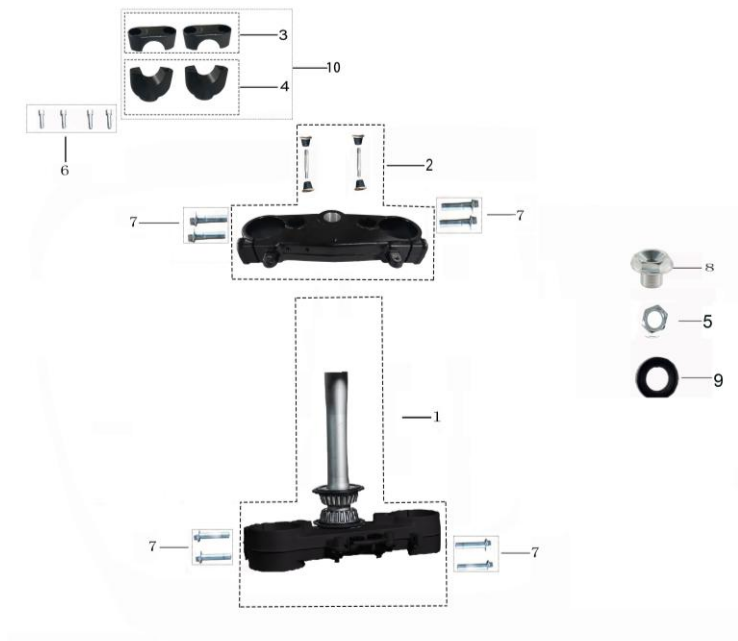
Front Shock Assy



前减总成

No.	Code	Name	Qty.
1	501000-0054	FRONT RIGHT FORK	1
1	501000-0111	FRONT RIGHT FORK	1
1-1	501001-0008	FRONT RIGHT PROTECTOR	1
1-1	501001-0018	FRONT RIGHT PROTECTOR	1
1-2	903015-0007	SCREW-M6*12	6
2	501000-0053	FRONT LEFT SHOCK	1
2	501000-0110	FRONT LEFT SHOCK	1
2-2	501001-0007	FRONT LEFT SHOCK PROTECTOR	1
2-2	501001-0017	FRONT LEFT PROTECTOR	1
3	404010-0002	FRONT BRAKE DISC PROTECTOR	1
4	903020-0010	SCREW-TM6*16	2
4	903020-0010-02	SCREW-M6*16	2

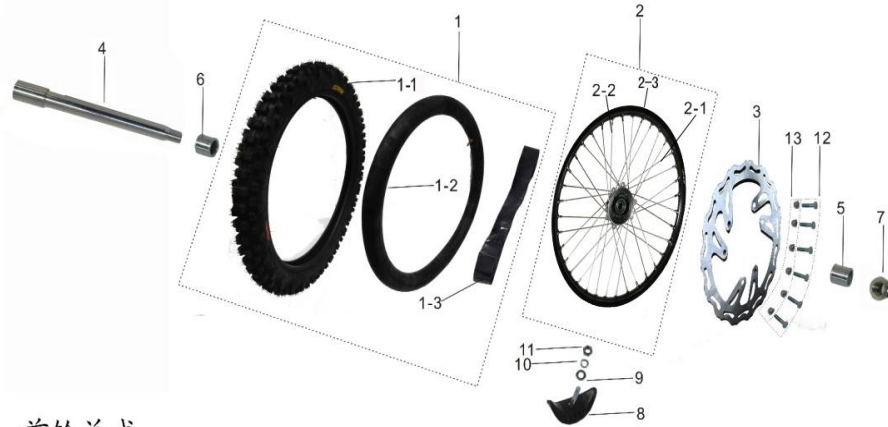
Directioner Assy



方向器总成

No.	Code	Name	Qty.
	601000-0005	STEERING COLUMN ASSY	1
	601002-0032	LOWER CLAMP	1
1	601002-0026	LOWER CLAMP	1
2	601001-0028	UPPER CLAMP	1
2	601001-0024	UPPER CLAMP	1
3	601003-0019	UPPER RAISERS	2
4	601004-0023	LOWER RAISERS	2
5	601005-0021	LOCK NUT-M30*1*H10	1
	601005-0014	WASHER-Φ27*40*1.5	1
6	903013-0021	SCREW-M8*30	4
6	903013-0021-03	SCREW-M8*30	4
7	903018-0012	BOLT-M8*40	8
7	903018-0012-03	BOLT-M8*40	8
8	601006-0019	SCREW-M20*1.25*L16	1
9	601005-0015	DUST SEAL	1
10	C90002-0029	UPPER AND LOWER CLAMPING BLOCK ASSEMBLY	1

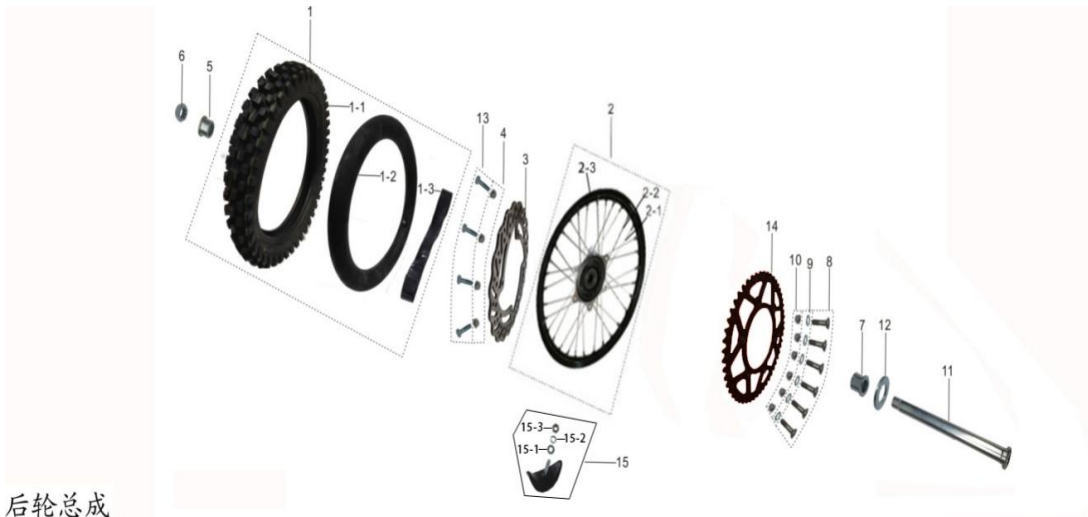
Front Wheel Assy



前轮总成

No.	Code	Name	Qty.
1	401005-0013	FRONT TIRE	1
1-1	401006-0011	TYRE	1
1-2	401007-0006	INNER TUBE	1
1-3	401008-0007	LINING BELT	1
2	401000-0078	FRONT RIM	1
2-1	401004-0026	SPOKE	18
2-2	401004-0027	SPOKE	18
2-2	401001-0010	ALUMINIUM RIM	1
3	404001-0012	FRONT BRAKE DISC	1
4	901003-0001	AXLE	1
5	902002-0032	LEFT BUSH- $\Phi 20 \times 35-26 \times 26$	1
6	902002-0035	RIGHT BUSH- $\Phi 20 \times 35-26 \times 23$	1
7	903007-0010	NUT-M16*1.5	1
7	903007-0010-02	NUT-M16*1.5	1
8	401010-0004	RIM LOCK	1
9	903002-0004	FLAT WASHER- $\Phi 8 \times 16 \times 1.5$	1
9	903002-0004-03	FLAT WASHER- $\Phi 8 \times 16 \times 1.5$	1
10	903001-0004	SPRING WASHER- $\Phi 8 \times 13 \times 2$	1
10	903001-0003-02	SPRING WASHER- $\Phi 8 \times 13 \times 2$	1
11	903005-0007	NUT-M8	1
11	903005-0007-03	NUT-M8	1
12	903017-0001	BOLT-M6*20	6
12	903017-0001-02	BOLT-M6*20	6
13	903007-0003	NUT-M6	6
	C90002-0124	FRONT WHEEL ASSY	1

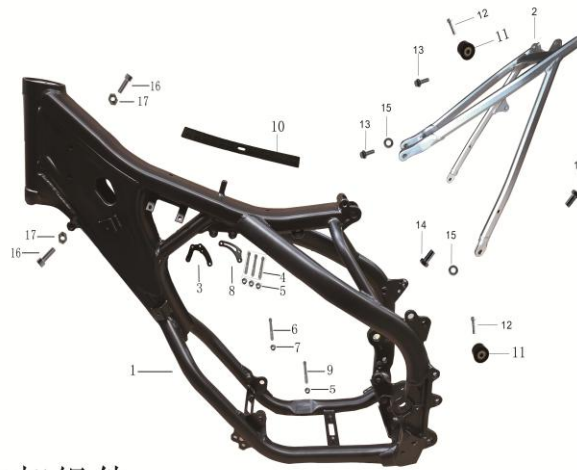
Rear Wheel Assy



后轮总成

No.	Code	Name	Qty.
1	402005-0023	REAR TIRE	1
1-1	402006-0037	OUTER TYRE	1
1-2	402007-0005	INNER TYRE	1
1-3	401008-0005	LINING BELT	1
2	402000-0086	REAR RIM	1
2-1	402004-0026	SPOKE ASSY.	16
2-2	402004-0027	SPOKE ASSY.	16
2-3	402001-0021	ALUMINIUM RIM	1
3	405001-0006	REAR BRAKE DISC	1
4	903017-0001	BOLT-M6*20	4
4	903017-0001-02	BOLT-M6*20	4
5	902002-0034	REAR RIGHT BUSH	1
6	903008-0008	NUT-M22*1.5	1
7	902002-0041	REAR LEFT BUSH	1
8	903014-0003	SCREW-M8*31	6
9	903002-0003	FLAT WASHER-Φ8*16*1	6
9	903002-0003-02	FLAT WASHER-Φ8*16*1	6
10	903008-0007	NUT-M8	6
10	903008-0007-02	NUT-M8	6
11	901003-0002	AXLE-Φ25*272*M22*1.5MM	1
12	601005-0012	BIG WASHER-Φ23*36*1.5	1
13	903007-0003	NUT-M6	4
14	205002-0006	STEEL REAR SPROCKET	1
14	205001-0041	STEEL REAR SPROCKET	1
14	205001-0041-02	STEEL REAR SPROCKET	1
15	401010-0005	RIM LOCK	1
15-1	903002-0004	FLAT WASHER-Φ8*16*1.5	1
15-2	903001-0004	SPRING WASHER-Φ8*13*2	1
15-3	903005-0006	NUT-M8	1
	C90002-0125	REAR WHEEL ASSY	1

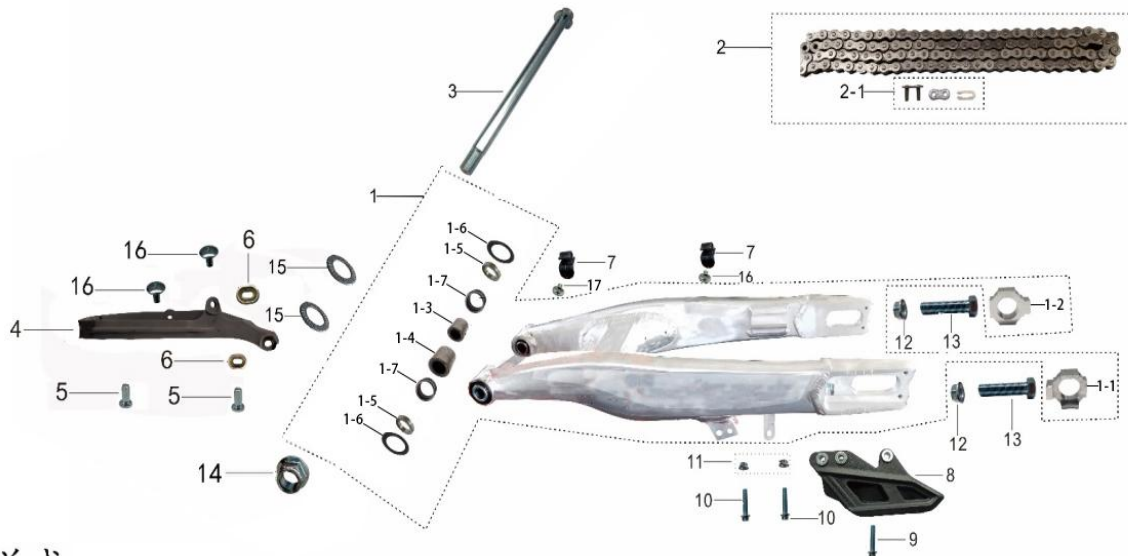
Frame Assy



车架组件

No.	Code	Name	Qty.
1	551000-0107	FRAME ASSY	1
1	551000-0107-0202	FRAME ASSY	1
2	552000-0032	SUB-FRAME ASSY.	1
2	552000-0032-02	SUB-FRAME ASSY.	1
3	555000-0172	ENGINE UPPER FIXING PLATE	1
4	903013-0025	SCREW-M8*45	3
4	903018-0014-02	NUT-M8*50	3
5	903007-0005	NUT-M8	4
6	903018-0020	BOLT-M8*90	1
6	903018-0020-02	BOLT-M8*90	1
6	903018-0019-02	BOLT-M8*80	1
7	903007-0006	NUT-M10*1.25	1
7	903007-0006-02	NUT-M10*1.25	1
8	555000-0173	ENGINE UPPER FIXING PLATE	1
9	903018-0036	BOLT-M10*130*1.25	1
9	903018-0036-02	BOLT-M10*130*1.25	1
10	908003-0009	OIL TANK RUBBER GASKET	1
11	203004-0016	CHAIN ROLLER	2
12	903019-0019	BOLT-M8*35	2
13	903019-0014	FLANGE BOLT-M8*25	2
13	903019-0014-03	FLANGE BOLT-M8*25	2
14	404011-0005	DISC BOLT-M8*25*1.25	2
15	903002-0008	FLAT WASHER- Φ10*20*2	2
15	903002-0008-03	FLAT WASHER- Φ10*20*2	2
16	903013-0020	SCREW-M8*25	2
16	903013-0020-05	SCREW-M8*25	2
17	903005-0007	NUT-M8	2
17	903005-0007-03	NUT-M8	2

Flat Fork Assy

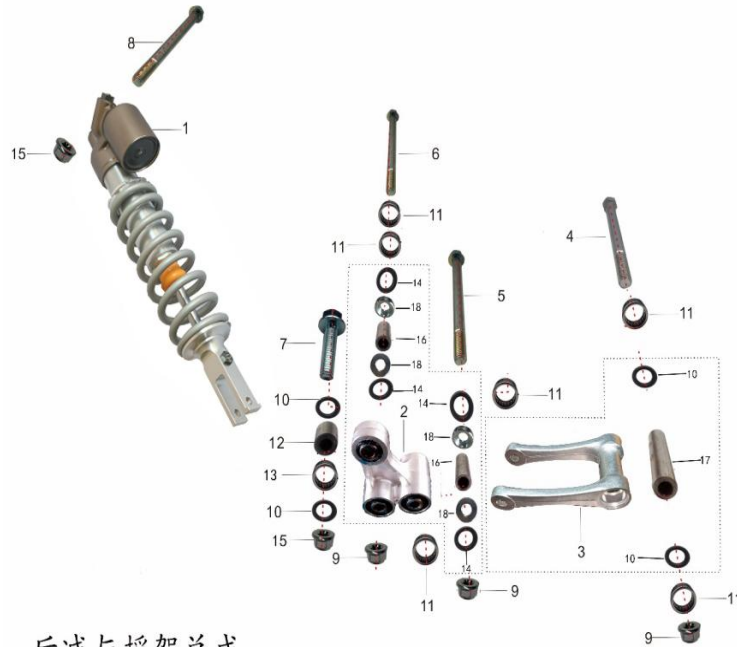


平叉总成

No.	Code	Name	Qty.
1	553000-0049	ALUMINIUM SWING ARM	1
1	553000-0049-02	ALUMINIUM SWING ARM	1
1-1	203003-0005	CHAIN ADJUSTER(L)	1
1-2	203003-0006	CHAIN ADJUSTER(R)	1
1-3	902001-0137	FLAT BUSH- Φ 17*22*H57	1
1-4	902001-0138	FLAT BUSH- Φ 17*22*H69	1
1-5	902001-0121	SWING ARM BUSH-' Φ 17.5*25*H5.5	2
1-6	908001-0020	OIL SEAL	2
1-7	908001-0026	OIL SEAL	2
2	203000-0094	CHAIN	1
2	203000-0098	CHAIN	1
2-1	203001-0005	CHAIN JOINT	1
2-1	203001-0006	CHAIN JOINT	1
3	901003-0012	AXLE	1
4	203004-0039	CHAIN GUIDE	1
5	903009-0010	SCREW-M6*12	2
5	903009-0010-03	SCREW-M6*12	2
6	903003-0006	WASHER	2
7	405010-0001	REAR BRAKE OIL PIPE CLIP	2
8	203004-0040	CHAIN PROTECTOR	1
9	903018-0004	BOLT-M6*16	1
9	903018-0004-03	BOLT-M6*16	1
10	903018-0009	BOLT-M6*60	2

10	903018-0009-02	BOLT-M6*60	2
11	903007-0003	NUT-M6	2
12	903006-0004	NUT-M10*1.25	2
12	903006-0004-02	NUT-M10*1.25	2
13	903017-0014	BOLT-M10*40*1.25 S14	2
13	903017-0014-02	BOLT-M10*40*1.25 S14	2
14	903007-0011	NUT-M16*1.5	1
14	903007-0011-02	NUT-M16*1.5	1
15	907001-0030	BEARING- Φ 22*36*6	2
16	903012-0011	SCREW-TM6*10	4
16	903012-0011-03	SCREW-TM6*10	3
17	903011-0002-03	SCREW-TM6*12	1

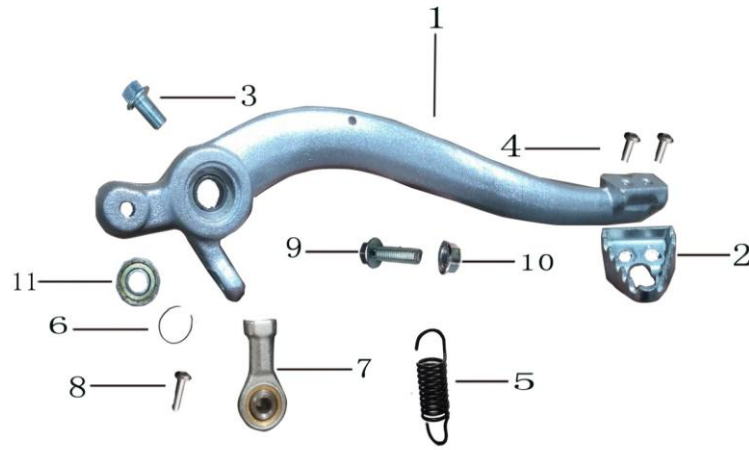
Rear Shock and Rocker Assy



后减与摇架总成

No.	Code	Name	Qty.
1	502000-0056	REAR SHOCK ASSY.	1
1	502000-0079	REAR SHOCK ASSY.	1
2	503000-0008	TRIANGLE LINKAGE	1
3	504000-0009	U-STYLE LINKAGE	1
4	901001-0045	FLANGE AXLE	1
5	901001-0044	FLANGE AXLE	1
6	901001-0041	FLANGE AXLE	1
7	903020-0013	BOLT-M10*42*1.25+Φ10*28	1
7	903020-0013-02	BOLT-M10*42*1.25+Φ10*28	1
8	903018-0034	BOLT-M10*50*1.25	1
8	903018-0034-02	BOLT-M10*50*1.25	1
9	903007-0008	NUT-M12*1.25	3
9	903007-0008-02	NUT-M12*1.25	3
10	908001-0003	OIL SEAL	4
11	907002-0011	BEARING	6
12	902001-0115	LINKAGE BUSH	1
13	907002-0012	BEARING	1
14	908001-0018	OIL SEAL	4
15	903007-0006	NUT-M10*1.25	2
15	903007-0006-02	NUT-M10*1.25	2
16	902001-0116	LINKAGE BUSH	2
17	902001-0117	LINKAGE BUSH	1
18	902003-0005	LINKAGE BUSH CAP	4

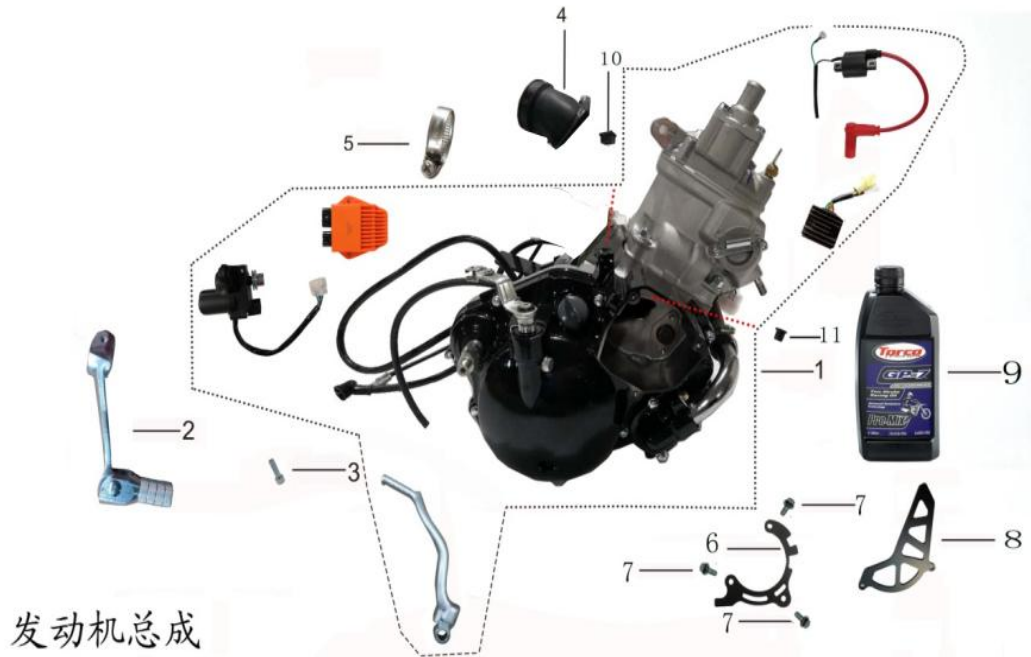
Brake Pedal Assy



刹车踏板总成

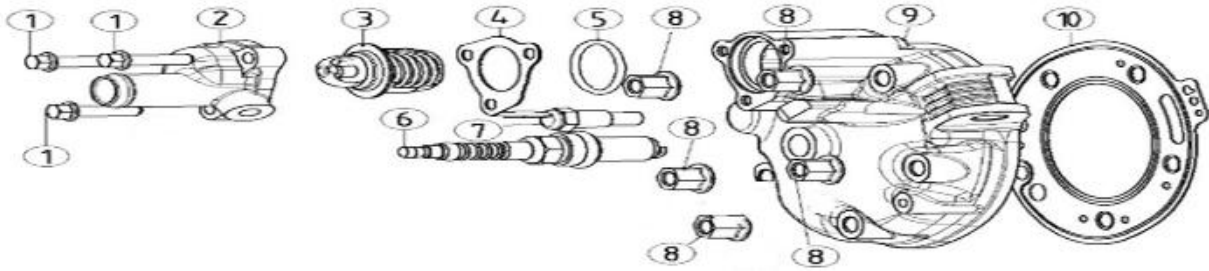
No.	Code	Name	Qty.
1	406001-0037	BRAKE PEDAL	1
2	406002-0004	BRAKE PEDAL	1
3	903018-0029	BOLT-M10*20*1.25	1
3	903018-0029-02	BOLT-M10*20*1.25	1
4	903020-0022	SCREW-M5*10	2
5	407003-0001	PEDAL SPRING	1
6	903004-0008	CLIP SPRING	1
7	907001-0032	KNUCKLE BEARING	1
8	903020-0024	SCREW-M6*25	1
9	903019-0013	FLANGE BOLT-M8*20	1
9	903019-0013-03	FLANGE BOLT-M8*20	1
10	903007-0005	NUT-M8	1
11	907001-0002	BEARING	1
	C90002-0175	BRAKE PEDAL ASSEMBLY	1

Engine Assy



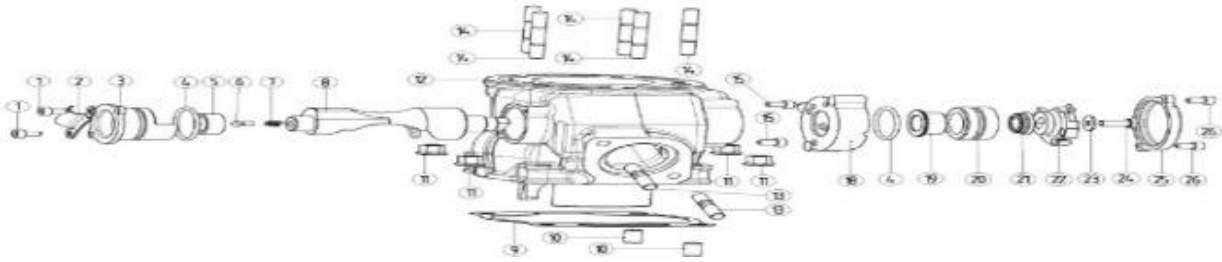
No.	Code	Name	Qty.
1	101000-0532	ENGINE ASSY	1
1	101000-0585	ENGINE ASSY	1
1	101000-0585-02	ENGINE ASSY	1
2	201002-0024	GEAR SHIFTER	1
3	903019-0007	BOLT-M6*25	1
4	101001-0024	INTAKE PIPE	1
5	906001-0004	HOOP	1
5	906001-0013	HOOP	1
6	555000-0174	CHAIN COVER CLAMP	1
7	903018-0003	BOLT-M6*12	3
7	903018-0003-03	BOLT-M6*12	3
8	555000-0175	FRONT SPROCKET BAFFLE	1
9	912002-0019	ENGINE OIL	1
10	908004-0012	RUBBER PLUG	1
11	908004-0013	RUBBER PLUG	1

CYLINDER HEAD ASSY



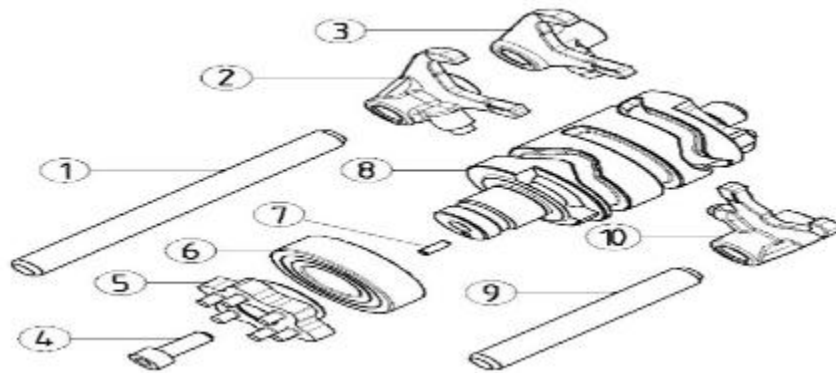
No.	Code	Name	Qty.
1	101030-0016	BOLT, HEXAGON FLANGE	3
2	101030-0258	COVER, THERMOSTAT	1
3	101030-0259	VALVE, THERMOSTATIC	1
4	101030-0260	GASKET	1
5	101030-0261	RING, SEAL	1
6	101030-0253	SPARK PLUG	1
7	101030-0262	SENSOR	1
8	101030-0423	BOLT, HEXAGON FLANGE	5
9	101030-0263	CYLINDER HEAD	1
10	101030-0243	CYLINDER HEAD GASKET	1

CYLINDER ASSY



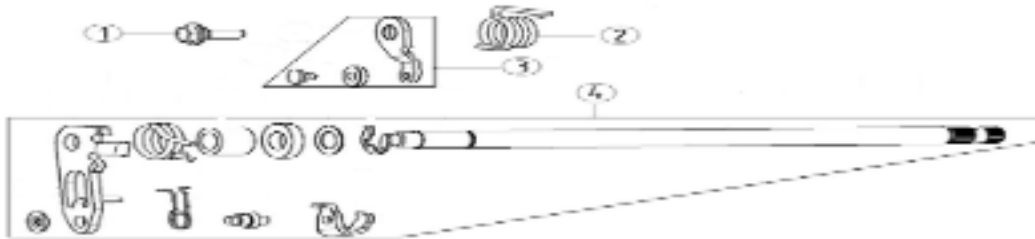
No.	Code	Name	Qty.
1	101030-0417	BOLT, HEXAGON FLANGE	2
2	101030-0264	PLATE, CLUTCH CABLE LOCATING	1
3	101030-0265	COVER BODY OF AIR OUTLET CONTROLLING VALVE	1
4	101030-0266	RING, SEAL	2
5	101030-0373	COLLAR	1
6	101030-0267	GUIDING ROD OF SPRING	1
7	101030-0268	SPRING	1
8	101030-0269	CONTROLLING VALVE OF AIR OUTLET	1
9	101030-0242	CYLINDER GASKET	1
10	101030-0026	PIN, DOWEL	2
11	101030-0423	BOLT, HEXAGON FLANGE	4
12	101030-0256	CYLINDER	1
13	101030-0415	DOUBLE-BOLT, HEXAGON FLANGE	2
14	101030-0416	DOUBLE-BOLT, HEXAGON FLANGE	5
15	101030-0417	BOLT, HEXAGON FLANGE	2
18	101030-0272	SWITCH COVER BODY OF CONTROLLING VALVE	1
19	101030-0374	COLLAR	1
20	101030-0375	COLLAR	1
21	101030-0273	OIL SEAL	1
22	101030-0274	SWITCH OF CONTROLLING VALVE OF AIR OUTLET	1
23	101030-0425	WASHER, PLAIN	1
24	101030-0408	BOLT, HEXAGON FLANGE	1
25	101030-0387	SWITCH COVER OF CONTROLLING VALVE	1
26	101030-0417	BOLT, HEXAGON FLANGE	2

Drum Set



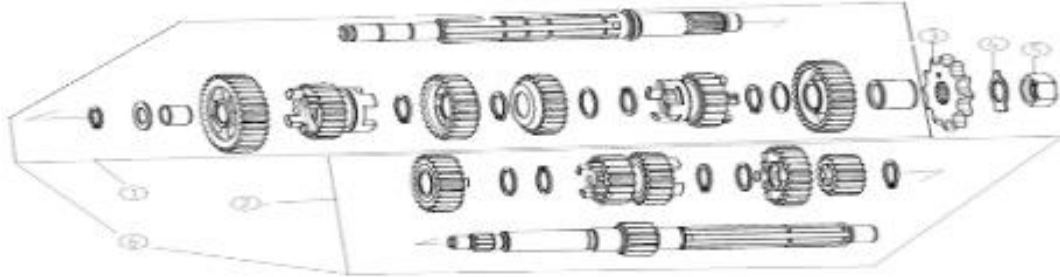
No.	Code	Name	Qty.
1	101030-0404	FORK SHAFT II	1
2	101030-0400	FORK II	1
3	101030-0402	FORK III	1
4	101030-0418	BOLT, HEXAGON FLANGE	1
5	101030-0399	HOLDER, CHANGE DRUM	1
6	101030-0446	BEARING	1
7	101030-0441	PIN, DOWEL	1
8	101030-0398	SHAFT DRUM	1
9	101030-0403	FORK SHAFT I	1
10	101030-0401	FORK I	1

GEAR CHANGE ARM COMP



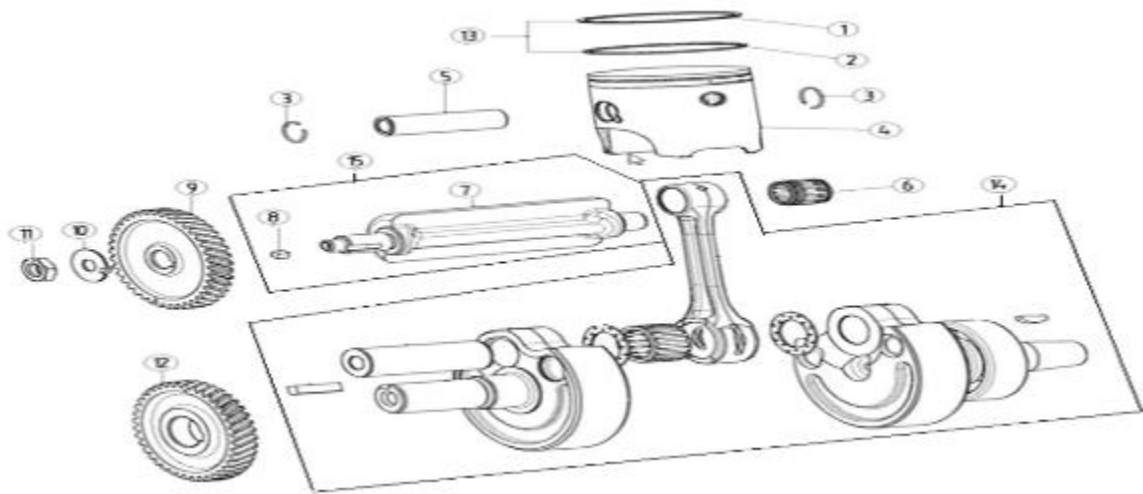
No.	Code	Name	Qty.
1	101030-0409	BOLT, HEXAGON FLANGE	1
2	101030-0453	SPRING	1
3	101030-0405	STOPPER	1
4	101030-0286	ARM COMP., GEAR CHANGE	1

Transmission set



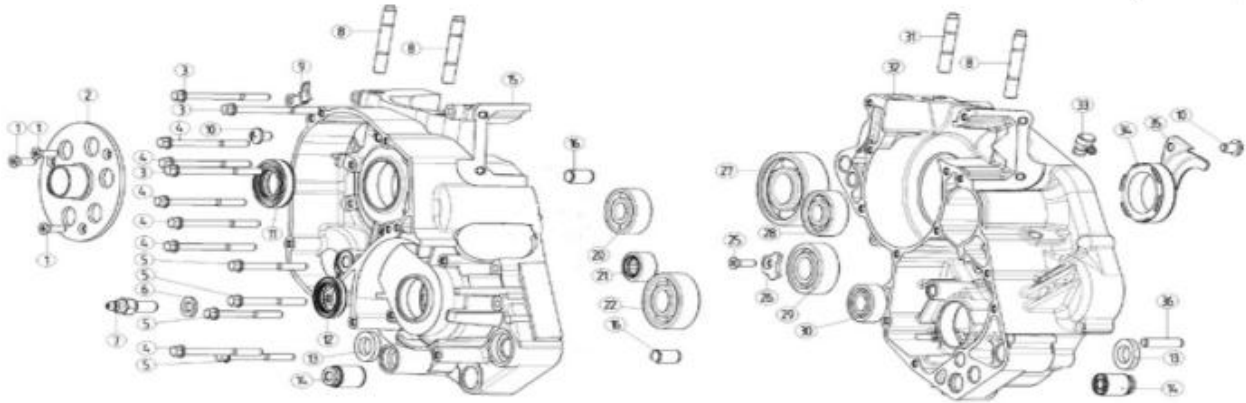
No.	Code	Name	Qty.
1	101030-0397	COUNTERSHAFT COMP.	1
2	101030-0396	MAINSHAFT COMP	1
3	101030-0287	SPROCKET, COUNTERSHAFT DRIVING	1
4	101030-0435	WASHER, PLAIN, LOCK	1
5	101030-0422	NUT, HEXAGON HEAD	1
6	101030-0292	MAINSHAFT&COUNTERSHAFT KIT	1

Crank connecting rod assembly



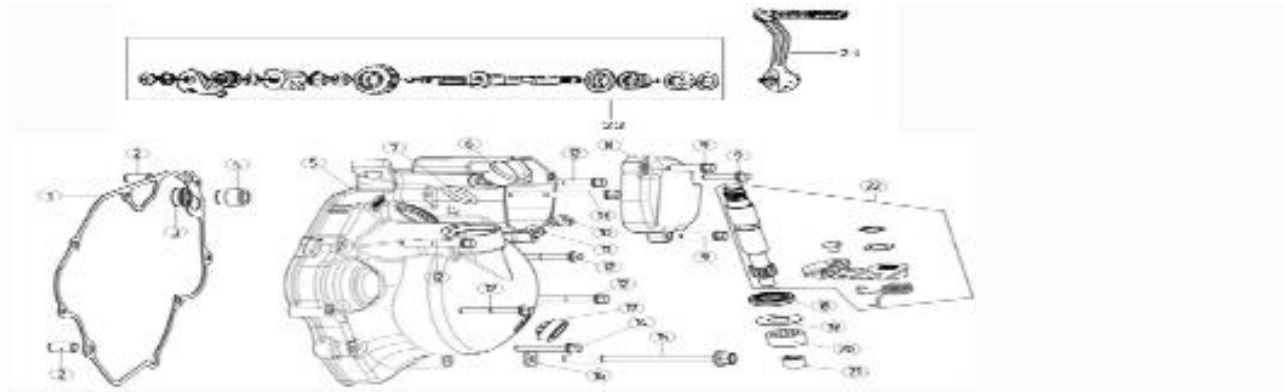
No.	Code	Name	Qty.
1	101030-0383	1ST PISTON RING	1
2	101030-0384	2ND PISTON RING	1
3	101030-0293	SPLIT WASHER PISTON PIN, DOWEL	2
4	101030-0294	PISTON	1
5	101030-0295	PISTON PIN, DOWEL	1
6	101030-0296	BEARING	1
7	101030-0386	BALANCING ARBOR COMP.	1
8	101030-0445	KEY	1
9	101030-0300	GEAR BALANCER SHAFT	1
10	101030-0432	WASHER, PLAIN	1
11	101030-0421	WASHER, PLAIN	1
12	101030-0301	DRIVEN GEAR BALANCER SHAFT	1
13	101030-0302	RING SET, PISTON	1
14	101030-0244	CRANKSHAFT COMP.	1
15	101030-0385	BALANCING ARBOR COMP.	1

CRANKCASE assembly



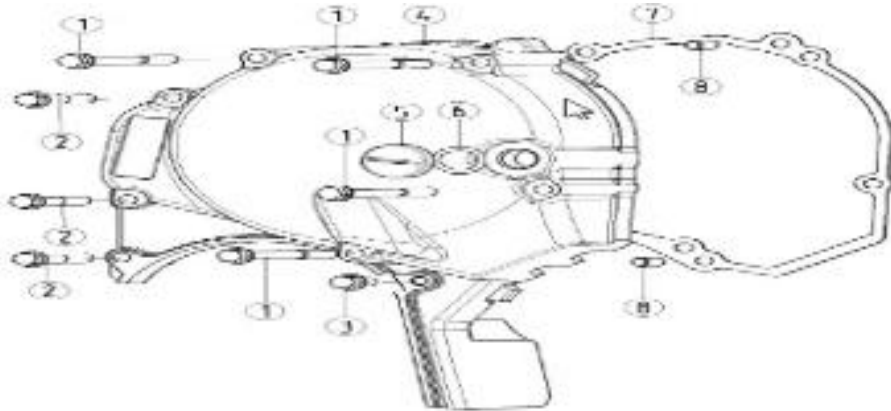
No.	Code	Name	Qty.
1	101030-0040	BOLT, HEXAGON FLANGE	3
2	101030-0303	PLATE OF LEFT OIL SEAL OF CRANKSHAFT	1
3	101030-0412	BOLT, HEXAGON FLANGE	3
4	101030-0055	BOLT, HEXAGON FLANGE	6
5	101030-0071	BOLT, HEXAGON FLANGE	4
6	101030-0427	WASHER, PLAIN	1
7	101030-0304	SWITCH ASSY., NEUTRAL	1
8	101030-0305	STUD	3
9	101030-0306	SUPPORTER OF COOLING	1
10	101030-0420	BOLT, HEXAGON FLANGE	2
11	101030-0307	OIL SEAL	1
12	101030-0335	OIL SEAL	1
13	101030-0371	COLLAR	2
14	101030-0451	COLLAR	2
15	101030-0379	L CRANGKCASE	1
16	101030-0440	PIN, DOWEL	2
20	101030-0312	BEARING	1
21	101030-0313	BEARING	1
22	101030-0314	BEARING	1
25	101030-0040	BOLT, HEXAGON FLANGE	1
26	101030-0316		1
27	101030-0317	BEARING	1
28	101030-0318	BEARING	1
29	101030-0319	BEARING	1
30	101030-0447	BEARING	1
31	101030-0321	STUD	1
32	101030-0380	R CRANGKCASE	1
33	101030-0323	TUBE TIE-IN	1
34	101030-0324	OIL SEAL	1
35	101030-0325	BAFFLE, OIL SEAL	1
36	101030-0326	AXIS	1

RIGHT CRANKCASE



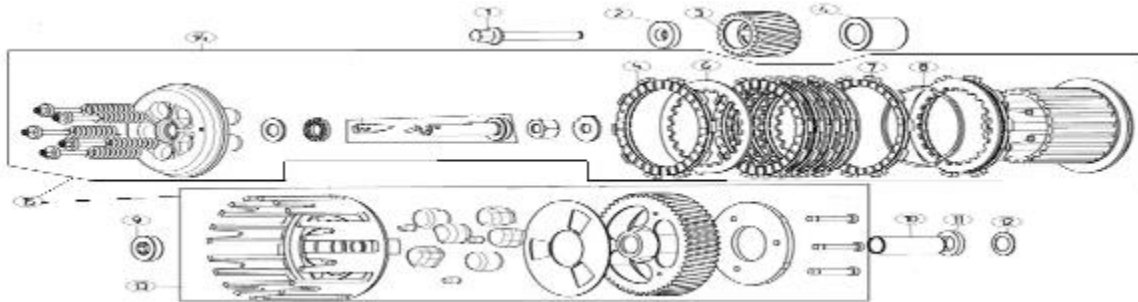
No.	Code	Name	Qty.
1	101030-0241	GASKET	1
2	101030-0026	PIN, DOWEL	2
3	101030-0328	OIL SEAL	1
4	101030-0372	COLLAR	1
5	101030-0382	COVER COMP., RIGHT CRANKCASE	1
6	101030-0330	PLUG OIL FILLER	1
7	101030-0331	RING, SEAL	1
8	101030-0389	CAP, OIL PUMP	1
9	101030-0016	BOLT, HEXAGON FLANGE	3
10	101030-0406	BOLT, HEXAGON FLANGE	1
11	101030-0377	WASHER, PLAIN	1
12	101030-0005	BOLT, HEXAGON FLANGE	5
13	101030-0071	BOLT, HEXAGON FLANGE	1
14	101030-0072	BOLT, HEXAGON FLANGE	1
15	101030-0411	BOLT, HEXAGON FLANGE	1
16	101030-0426	WASHER, PLAIN	1
17	101030-0333	SIGHT GLASS, OIL	1
18	101030-0335	OIL SEAL	1
19	101030-0428	WASHER, PLAIN	1
20	101030-0448	BEARING	1
21	101030-0370	BEARING	1
22	101030-0336	CLUTCH LEVER	1
23	101030-0456	STARTER SHAFT PARTS	1
24	202001-0019	STARTER LEVER	1

LEFT CRANKCASE



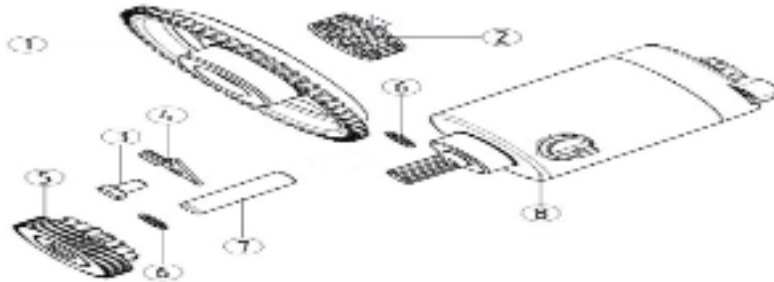
No.	Code	Name	Qty.
1	101030-0055	BOLT, HEXAGON FLANGE	4
2	101030-0005	BOLT, HEXAGON FLANGE	3
3	101030-0077	BOLT, HEXAGON FLANGE	1
4	101030-0381	COVER COMP., LEFT FRONT	1
5	101030-0338	SCREW COVER	1
6	101030-0339	RING, SEAL	1
7	101030-0240	GASKET	1
8	101030-0442	PIN, DOWEL	2

Clutch



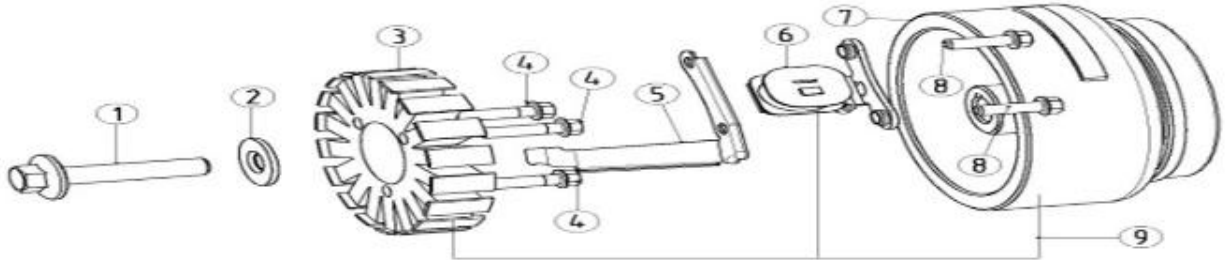
No.	Code	Name	Qty.
1	101030-0413	BOLT, HEXAGON FLANGE	1
2	101030-0430	WASHER, PLAIN	1
3	101030-0340	GEAR PRIMARY CLVIVE	1
4	101030-0341	COLLAR	1
5	101030-0393	FRICTION PLATE, DRIVE	6
6	101030-0395	FRICTION PLATE, DRIVEN	6
7	101030-0394	FRICTION PLATE, DRIVE	1
8	101030-0437	WASHER, PLAIN	1
9	101030-0436	WASHER, SPLINE	1
10	101030-0450	COLLAR	1
11	101030-0433	WASHER, PLAIN	1
12	101030-0434	WASHER, SAUCER	1
13	101030-0392	OUTER COMP., CLUTCH	1
14	101030-0455	CENTER CASE SET OF CLUTCH	1
15	101030-0454	CLUTCH KIT	1

Electric starting unit



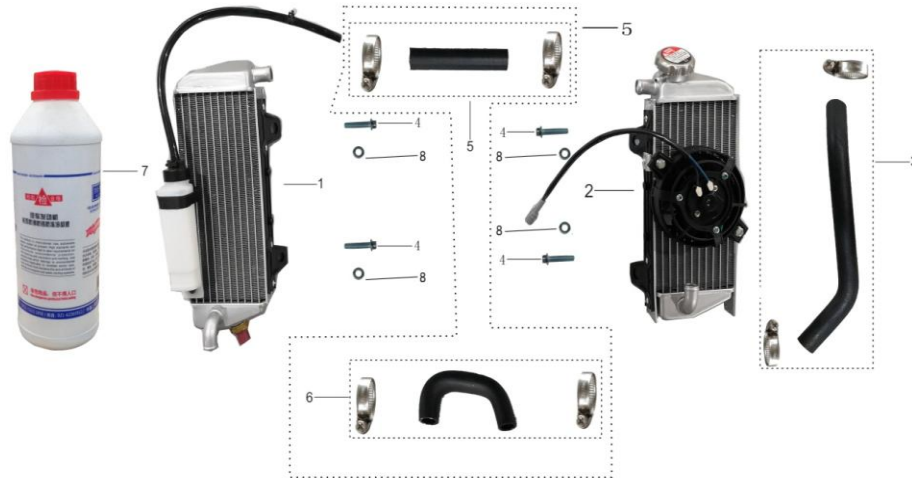
No.	Code	Name	Qty.
1	101030-0354	GEAR STARTING CLUTCH	1
2	101030-0355	BEARING	1
3	101030-0037	BOLT, HEXAGON FLANGE	1
4	101030-0356	PLATE, ELECTRIC STARTING DRIVEN WHEEL PRESSURE	1
5	101030-0357	DUAL-GEAR SET	1
6	101030-0438	CHECK RING, SHOULDER	2
7	101030-0358	SHAFT ASSY., DUPLEX GEAR	1
8	101030-0359	MOTOR ASSY., STARTING	1

Magneto assembly



No.	Code	Name	Qty.
1	101030-0414	BOLT, HEXAGON FLANGE	1
2	101030-0431	WASHER, PLAIN	1
3	101030-0360	ROTOR SET, MAGNETO	1
4	101030-0225	BOLT, HEXAGON FLANGE	3
5	101030-0361	DISC, TENSION	1
6	101030-0362	TRIGGER COMP.	1
7	101030-0407	ROTOR COMP.	1
8	101030-0016	BOLT, HEXAGON FLANGE	2
9	101030-0364	GENERATOR ASSY.	1

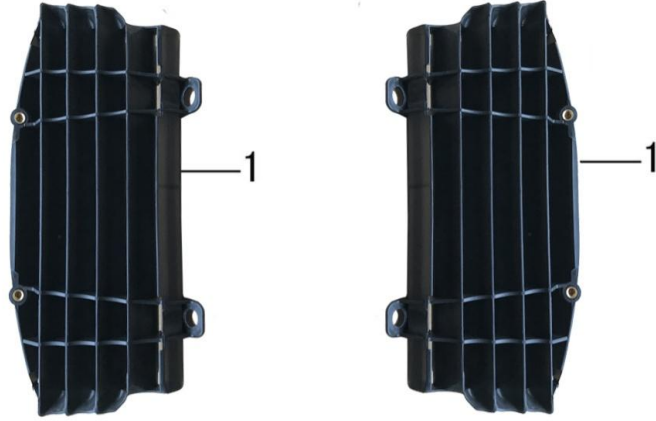
Water Tank Assy



水箱总成

No.	Code	Name	Qty.
1	104001-0016	LEFT WATER COOLER	1
1	104001-0016-02	LEFT WATER COOLER	1
2	104001-0017	RIGHT WATER COOLER	1
2	104001-0017-02	RIGHT WATER COOLER	1
3	104002-0014	INLET PIPE	1
3	104002-0014-02	INLET PIPE	1
3	104002-0035	OUTLET PIPE	1
4	903020-0024	SCREW-M6*25	4
4	903018-0007	BOLT-M6*25	4
5	104002-0016	CONNECTION PIPE	1
5	104002-0016-02	CONNECTION PIPE	1
6	104002-0020	WATER COOLER INLET PIPE	1
6	104002-0020-02	WATER COOLER INLET PIPE	1
7	104001-0006	ANTIFREEZE LIQUID	1
8	103003-0001	MOUNT BUSH	4

Water Tank Shroud



水箱护罩

No.	Code	Name	Qty.
1	801011-0022	WATER COOLER GUARD	2

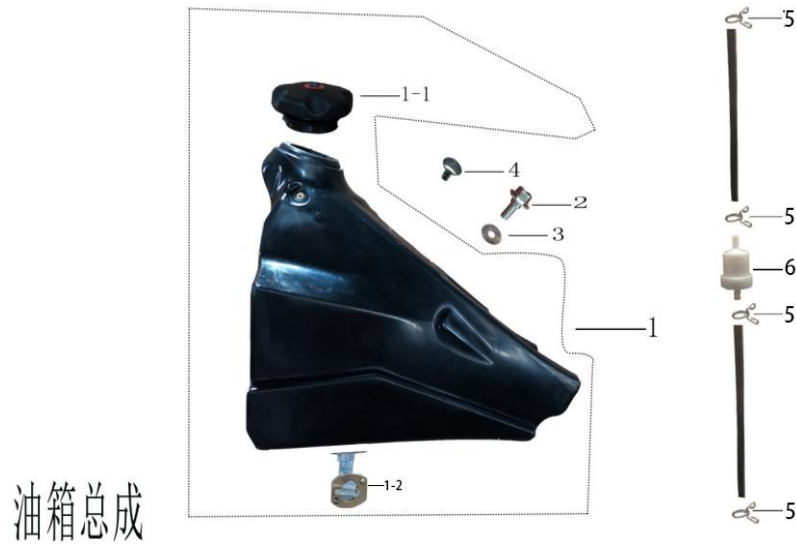
Carburetor and Air Filter Assy



化油器与空滤器总成

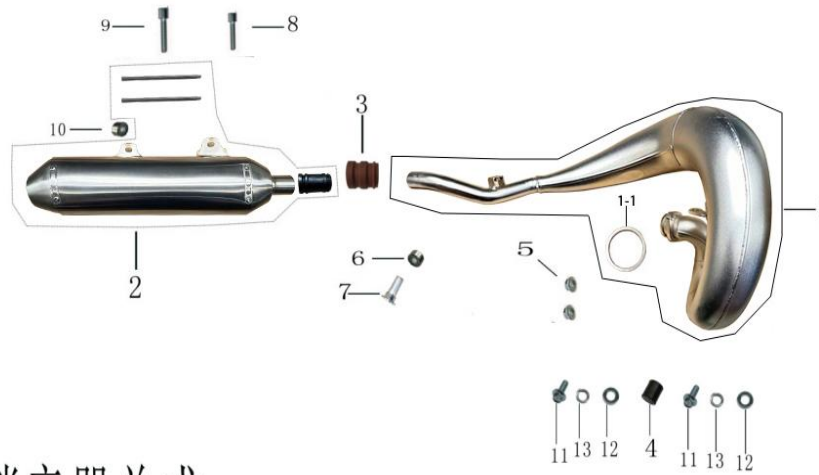
No.	Code	Name	Qty.
1	102000-0050	CARBURETOR	1
1	102000-0067	CARBURETOR	1
1	102000-0109	CARBURETOR	1
2	105003-0021	AIR FILTER INLET PIPE	1
3	906001-0004	HOOP	1
4	105002-0010	AIR FILTER SPONGE	1
4	105002-0015	AIR FILTER SPONGE	1

Fuel tank assy



No.	Code	Name	Qty.
1	805001-0022	FUEL TANK ASSY.	1
1	805001-0022-02	FUEL TANK ASSY.	1
1	805003-0015	FUEL TANK CAP	1
2	805004-0021	FUEL TANK SWITCH	1
2	903020-0003	BOLT-M6*16	1
2	903020-0003-03	BOLT-M6*16	1
3	903002-0005	FLAT WASHER-Φ8*28*1.5	1
3	903002-0005-03	FLAT WASHER-Φ8*28*1.5	1
4	903012-0003	SCREW-TM5*16	1
4	903012-0003-03	SCREW-TM5*16	1
5	906002-0005	TUBE CLIP	4
6	108001-0002	FUEL FILTER	1

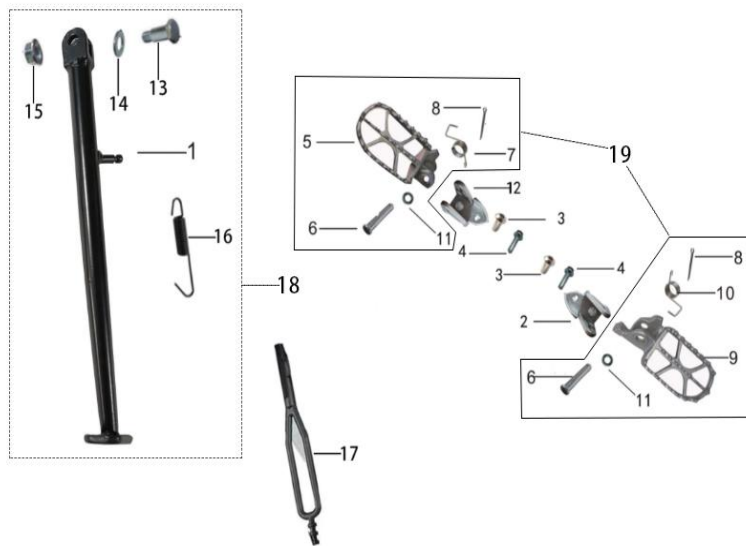
Muffler Assy



消音器总成

No.	Code	Name	Qty.
1	106001-0093	MUFFLER PIPE	1
1	106001-0120	MUFFLER PIPE	1
1	106001-0141	MUFFLER PIPE	1
1-1	106003-0005	MUFFLER PIPE SEAL	1
2	106002-0035	MUFFLER	1
2	106002-0046	MUFFLER	1
2	106002-0064	MUFFLER	1
3	106006-0020	MUFFLER PIPE SEAL	1
4	106006-0021	MUFFLER PIPE JOINT	1
5	903007-0005	NUT-M8	2
6	902001-0007	FLAT BUSH-Φ8*16*H7.8	1
7	903019-0015	FLANGE BOLT-M8*27	1
7	903019-0015-03	FLANGE BOLT-M8*27	1
7	404011-0001	BOLT-M8*16*1.25	1
8	903013-0021	SCREW-M8*30	1
8	903013-0021-03	SCREW-M8*30	1
9	903013-0023	SCREW-M8*40	1
9	903013-0023-03	SCREW-M8*40	1
10	902001-0036	FLAT BUSH-Φ10.2*22.5*H17	1
11	903018-0003	BOLT-M6*12	2
11	903018-0003-03	BOLT-M6*12	2
12	903002-0001	FLAT WASHER-Φ6*12*1.5	2
12	903002-0001-03	FLAT WASHER-Φ6*12*1.5	2
12	903002-0002-03	FLAT WASHER-Φ6*18*1.5	2
13	903001-0002	SPRING WASHER Φ6	2
13	903001-0002-03	SPRING WASHER Φ6	2

Single Brace and Foot Assy

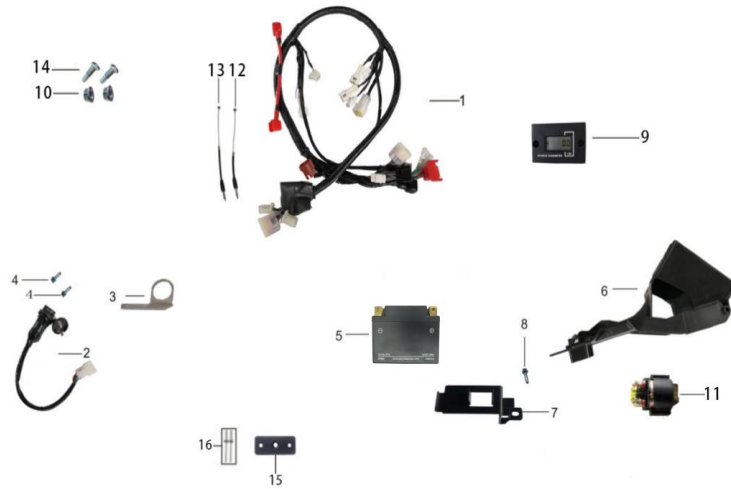


单撑与脚踏组件

No.	Code	Name	Qty.
1	554000-0037	SIDE STAND	1
2	506004-0008	RIGHT PEDAL PERCH	1
3	903019-0012	FLANGE BOLT-M8*16	2
3	903019-0012-03	FLANGE BOLT-M8*16	2
4	903019-0027	FLANGE BOLT-M12*20*1.25	2
4	903019-0027-02	FLANGE BOLT-M12*20*1.25	2
5	506003-0020	LEFT PEDAL	1
6	904001-0005	HINGE PIN	2
7	407001-0010	LEFT PEDAL SPRING	1
7	407001-0010-02	LEFT PEDAL SPRING	1
8	904002-0002	COTTER PIN	2
8	904002-0002-03	COTTER PIN	2
9	506003-0021	RIGHT PEDAL	1
10	407001-0011	RIGHT PEDAL SPRING	1
10	407001-0011-02	RIGHT PEDAL SPRING	1
11	903002-0007	FLAT WASHER-Φ10*16*1.5	2
11	903002-0007-02	FLAT WASHER-Φ10*16*1.5	2
12	506004-0007	LEFT FOOTPEG BRACKET	1
12	506004-0007-02	BOLT-M10*35*1.5	1
13	903020-0002	BOLT-M10*35*1.5 S17	1
13	903020-0002-03	BOLT- M10*35*1.5 S17	1

14	903007-0007	NUT-M10*1.5	1
14	903007-0007-03	NUT-M10*1.5	1
15	903002-0011	FLAT WASHER-Φ13*20*1.5	1
15	903002-0011-02	FLAT WASHER-Φ13*20*1.5	1
16	407002-0001	SIDE STAND SPRING	1
17	908007-0049	SIDE STAND FASTENER	1
17	908007-0076	SIDE STAND FASTENER	1
18	C90002-0046	STRAIGHT SIDE STAND ASSEMBLY	1
19	C90002-0001-02	LEFT AND RIGHT PEDAL ASSEMBLY	1

Electronic Assy



电器组件

No.	Code	Name	Qty.
1	309001-0117	MAIN CABLE	1
2	314001-0012	ELECTRIC LOCK	1
2	314001-0012-03	ELECTRIC LOCK	1
3	315014-0002	ELECTRIC LOCK BRACKET	1
4	903018-0003	BOLT-M6*12	2
4	903018-0003-03	BOLT-M6*12	2
5	312001-0026	LITHIUM BATTERY	1
5	312001-0007	LITHIUM BATTERY	1
5	312001-0056	BATTERY	1
6	908007-0033	BATTERY BOX	1
6	908007-0033-02	BATTERY BOX	1
7	315012-0014	BATTERY FIX RACK	1
7	315012-0034	BATTERY FIX RACK	1
7	315012-0039	BATTERY HOLDER	1
7	315012-0039-02	BATTERY HOLDER	1
8	903020-0023	SCREW-M6*16	1
9	311001-0018	HOUR METER	1
9	311001-0022	HOUR METER	1
10	903007-0005	NUT-M8	2
11	301001-0004-02	RELAY	1
11	301001-0004	RELAY	1
12	602016-0011	MOTOR CABLE	1
13	602016-0012	MOTOR CABLE	1
14	903020-0005	BOLT-M8*30+Φ10*16.5	2
14	903020-0005-02	BOLT-M8*30+Φ10*16.5	2
15	315012-0033	BATTERY FASTENER	1
16	905001-0003	RIVET	2

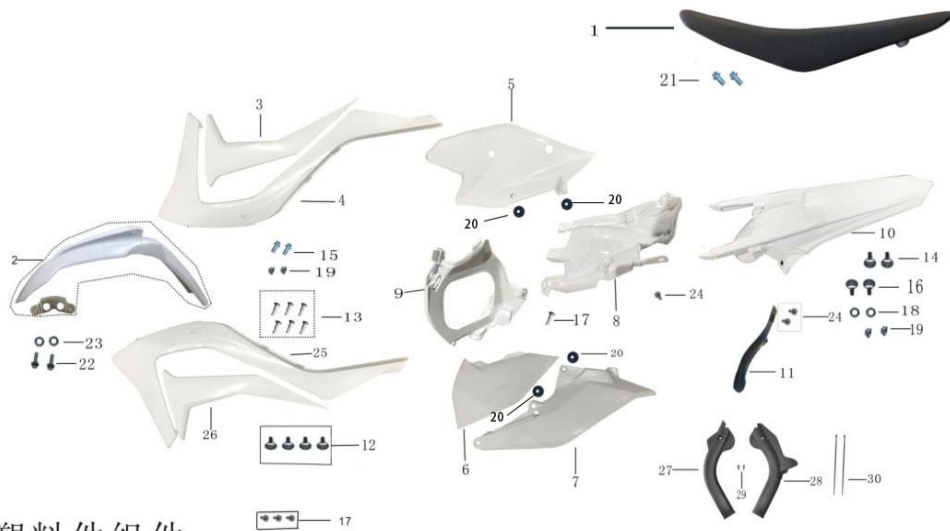
Lamp Assy



灯具总成

No.	Code	Name	Qty.
1	308001-0026	HEADLIGHT ASSY	1
1-1	308006-0028	HEADLIGHT COVER	1
1-2	308005-0013	HEADLIGHT BULB	1
2	315008-0020	HEADLIGHT UPPER BRACKET	2
3	908007-0010	RUBBER RING	2
4	903018-0004	BOLT-M6*16	2
4	903018-0004-03	BOLT-M6*16	2
5	903002-0002	FLAT WASHER-Φ6*18*1.5	2
5	903002-0002-03	FLAT WASHER-Φ6*18*1.5	2
6	903007-0003	NUT-M6	2
7	315008-0012-02	TAIL LIGHT BRACKET	1
8	903012-0004	SCREW-TM5*20	3
8	903012-0004-03	SCREW-TM5*20	2
9	903007-0001	NUT-M5	3
9	903007-0001-03	NUT-M5	3
10	308006-0008	FRONT REFLECTOR	2
11	903002-0002	FLAT WASHER-Φ6*18*1.5	2
11	903002-0002-03	FLAT WASHER-Φ6*18*1.5	2
12	903006-0002	NUT-M6	2
12	903006-0002-03	NUT-M6	2
13	908003-0002	RUBBER FLAT WASHER Φ5.5*14.5*2	2
14	908007-0005	HOOP	2
15	903012-0005-03	CROSS RECESSED PAN HEAD MACHINE SCREW TM5*25	1

Plastic Parts Assy

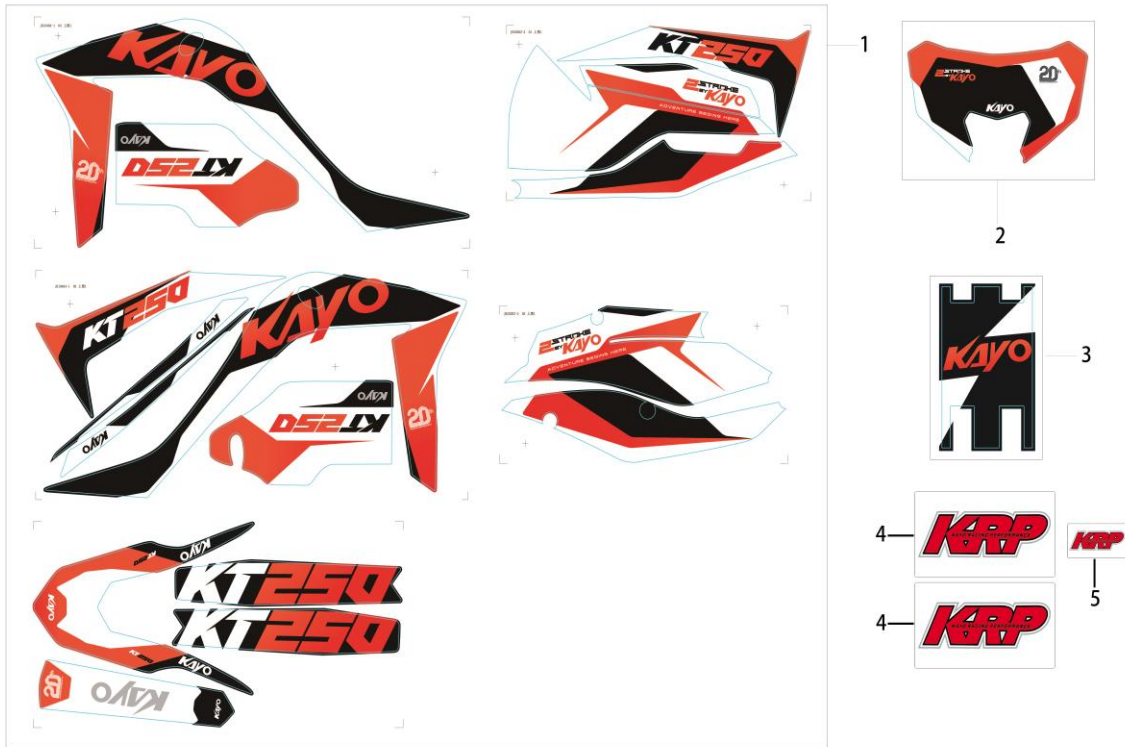


塑料件组件

No.	Code	Name	Qty.
1	701000-0038	SEAT ASSY.	1
1	701000-0038-02	SEAT ASSY.	1
2	801013-0005	FRONT FENDER	1
3	801011-0027	FRONT RIGHT COVER(DOWN)	1
3	801011-0027-03	FRONT RIGHT COVER(DOWN)	1
4	801011-0026	FRONT RIGHT COVER(UP)	1
4	801011-0026-03	FRONT RIGHT COVER(UP)	1
5	801011-0032	REAR RIGHT COVER	1
5	801011-0032-03	REAR RIGHT COVER	1
6	801011-0030	AIR FILTER LEFT UPPER COVER	1
6	801011-0030-03	AIR FILTER LEFT UPPER COVER	1
7	801011-0031	AIR FILTER LEFT LOWER COVER	1
7	801011-0031-03	AIR FILTER LEFT LOWER COVER	1
8	801011-0029	AIR FILTER LOWER COVER PLATE	1
8	801011-0029-03	AIR FILTER LOWER COVER PLATE	1
9	801011-0028	AIR FILTER FRONT COVER PLATE	1
9	801011-0028-03	AIR FILTER FRONT COVER PLATE	1
10	801011-0033	REAR MUD FENDER	1
10	801011-0033-03	REAR MUD FENDER	1
11	801011-0034	MUD GUARD	1
12	903012-0011	SCREW-TM6*10	4
12	903012-0011-03	SCREW-TM6*10	4
13	903020-0022	SCREW-M5*10	6
14	903012-0009	SCREW-TM6*25	2

14	903012-0009-02	SCREW-TM6*25	2
15	903019-0007	BOLT-M6*25	2
16	903012-0007	SCREW-TM6*16	2
16	903012-0007-03	SCREW-TM6*16	2
17	903020-0023	SCREW-M6*16	4
18	903002-0002	FLAT WASHER-Φ6*18*1.5	2
18	903002-0002-03	FLAT WASHER-Φ6*18*1.5	2
19	903006-0002	NUT-M6	4
19	903006-0002-03	NUT-M6	4
20	908007-0034	CIRCLE CLIP	4
21	903020-0003	BOLT-M6*16	2
21	903020-0003-03	BOLT-M6*16	2
22	903018-0004	BOLT-M6*16	2
22	903018-0004-03	BOLT-M6*16	2
23	903002-0002	FLAT WASHER-Φ6*18*1.5	2
23	903002-0002-03	FLAT WASHER-Φ6*18*1.5	2
24	903010-0009	SCREW-ST6.3*16	3
24	903010-0009-02	SCREW-ST6.3*16	3
25	801011-0024	FRONT LEFT COVER(UP)	1
25	801011-0024-03	FRONT LEFT COVER(UP)	1
26	801011-0025	FRONT LEFT COVER(DOWN)	1
26	801011-0025-03	FRONT LEFT COVER(DOWN)	1
27	908007-0042	FRAME LEFT COVER	1
27	908007-0042-02	FRAME LEFT COVER	1
28	908007-0043	FRAME RIGHT COVER	1
28	908007-0043-02	FRAME RIGHT COVER	1
29	903012-0011	SCREW-M6*12	2
29	903012-0011-03	SCREW-TM6*10	2
30	906003-0002	PLASTIC BELT	2
	C90002-0062	PLASTIC PARTS ASSEMBLY	1

Sticker



No.	Code	Name	Qty.
1	802021-0001	STICKER	1
1	802021-0008	STICKER	1
1	802021-0008-03	STICKER	1
2	802021-0002	HEADLIGHT STICKER	1
2	802021-0002-02	HEADLIGHT STICKER	1
3	802021-0003	HANDLEBAR PAD COVER	1
3	802007-0378	HANDLEBAR PAD COVER	1
4	802013-0048	FRONT SHOCK STICKER	2
5	802013-0049	REAR SHOCK STICKER	1

