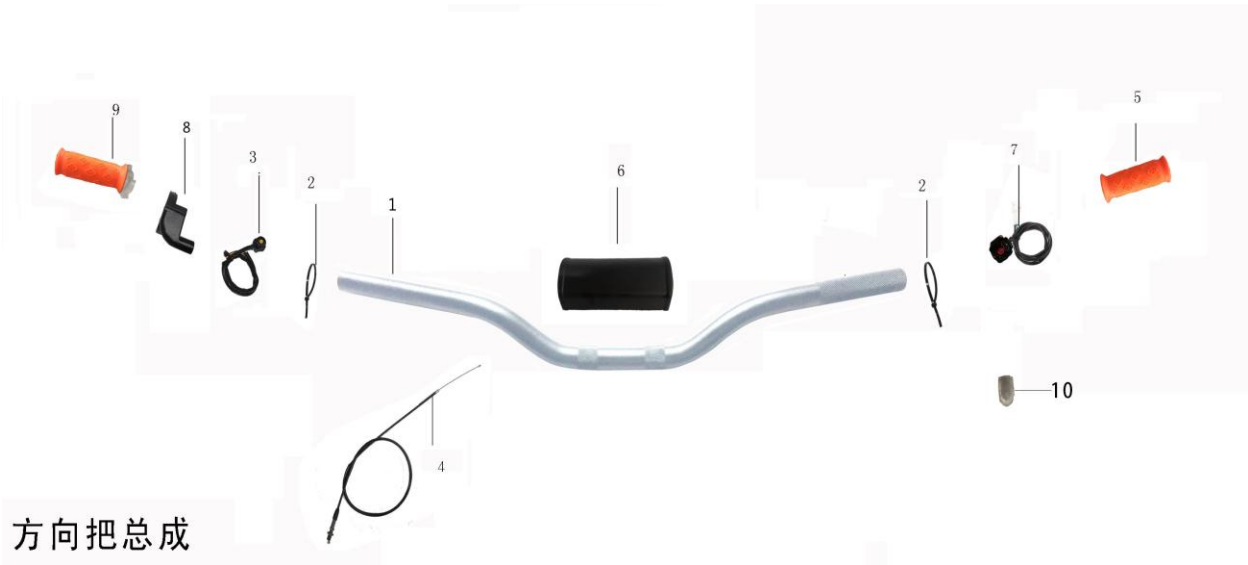


# KMB Parts Catalog



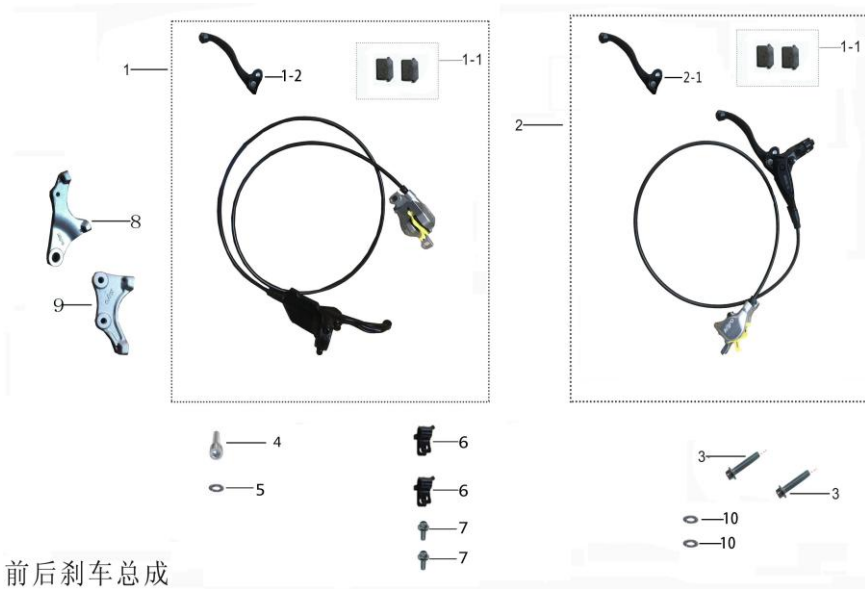
## Handlebar Assy



方向把总成

No.	Code	Name	Qty.
1	602002-0008-02	ALLOY HANDLEBAR	1
1	602002-0008-03	ALLOY HANDLEBAR	1
2	906003-0002	CABLE TIES	2
3	313002-0007	START SWITCH	1
3	313002-0007-02	START SWITCH	1
4	602014-0030	THROTTLE CABLE	1
5	602006-0027	LEFT HANDLEBAR GRIP	1
6	602017-0011	HANDLEBAR PAD	1
7	313003-0015	STOP SWITCH	1
7	313003-0015-02	STOP SWITCH	1
8	602011-0019	THROTTLE PERCH	1
9	602006-0028	RIGHT HANDLEBAR GRIP	1
10	908004-00180	SILICONE PROTECTIVE CASE	1

## Brake Assy



No.	Code	Name	Qty.
1	405000-0141-02	REAR BRAKE ASSY	1
1-1	404007-0027	FRONT BRAKE PADS	2
1-2	405002-0012	REAR BRAKE LEVER	1
2	404000-0188-02	FRONT BRAKE ASSY	1
2-1	404002-0038	FRONT BRAKE LEVER	1
3	903019-0018	FLANGE BOLT-M8*35	2
3	903019-0018-02	FLANGE BOLT-M8*35	2
4	903013-0006	SCREW-M6*16	1
4	903013-0006-03	SCREW-M6*16	1
5	903002-0002	WASHER-Φ6*18*1.5	1
5	903002-0002-03	WASHER-Φ6*18*1.5	1
6	908007-0054	BAND CLAMP	2
7	903018-0003	FLANGE BOLT-M6*12	2
7	903018-0003-03	FLANGE BOLT-M6*12	2
8	405009-0020	REAR BRAKE BRACKET	1
9	404008-0023	FRONT BRAKE BRACKET	1
10	903002-0004	WASHER-Φ8*16*1.5	2
10	903002-0004-03	WASHER-Φ8*16*1.5	2

## Clamps Assy



No.	Code	Name	Qty.
1	601001-0025	UPPER CLAMP	1
2	601002-0027	LOWER CLAMP	1
3	601003-0017	UPPER RAISER	2
4	601004-0022	LOWER RAISER	1
5	903013-0020	SCREW-M8*25	8
5	903013-0020-05	SCREW-M8*25	8
6	903013-0036	SCREW-M10*30*1.5	2
6	903013-0036-02	SCREW-M10*30*1.5	2
7	907001-0028	BEARING	1
8	601005-0009	DUST COVER	1
9	601005-0012	WASHER-Φ23*36*1.5	1
10	601005-0001	TOP NUT	1
11	C90002-0032	UPPER AND LOWER CLAMPS KIT	1

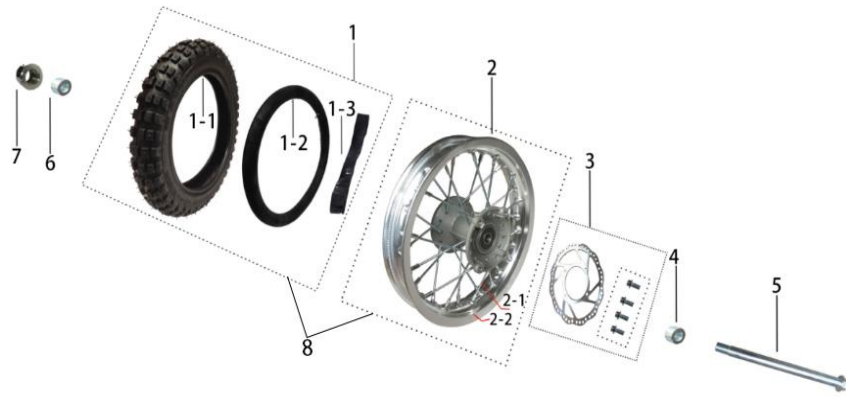
## Front Shock Assy



前减总成

No.	Code	Name	Qty.
1	501000-0113	FRONT SHOCK, RH	1
2	501000-0112	FRONT SHOCK, LH	1

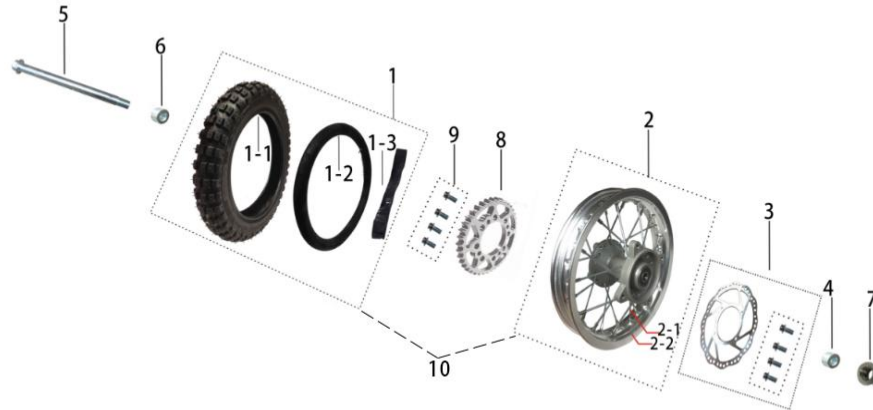
## Front Wheel Assy



前轮总成

No.	Code	Name	Qty.
1	401005-0001	TYRE & INNER TUBE ASSY	1
1-1	401006-0001	TYRE	1
1-2	401007-0002	INNER TUBE	1
1-3	401008-0001	INNER TUBE BAND	1
2	401000-0007	FRONT RIM	1
2-1	401004-0019	SPOKE	28
2-2	401001-0013	ALLOY RIM	1
3	404001-0028	FRONT BRAKE DISC - WAVE	1
4	902001-0095	FLAT BUSHING-Φ12*20*H22	1
5	901001-0015	FLANGE SHAFT-Φ12*190*1.25MM	1
6	902001-0094	FLAT BUSHING-Φ12*20*H18	1
7	903007-0008	FLANGE NUT-M12*1.25	1
7	903007-0008-02	FLANGE NUT-M12*1.25	1
8	C90002-0078	FRONT WHEEL ASSY	1

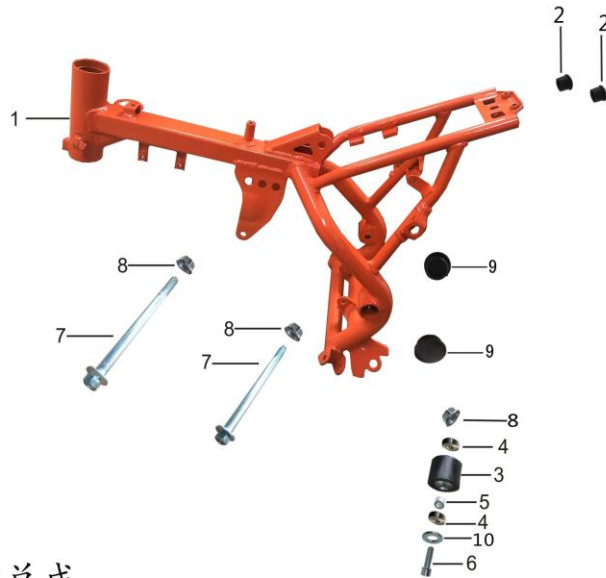
## Rear Wheel Assy



## 后轮总成

No.	Code	Name	Qty.
1	401005-0001	TYRE & INNER TUBE ASSY	1
1-1	401006-0001	TYRE	1
1-2	401007-0002	INNER TUBE	1
1-3	401008-0001	INNER TUBE BAND	1
2	402000-0009	REAR WHEEL	1
2-1	402004-0021	SPOKE	28
2-2	401001-0013	ALLOY RIM	1
3	404001-0028	REAR BRAKE DISC - WAVE	1
4	902001-0095	FLAT BUSHING	1
5	901001-0014	FLANGE AXLE	1
6	902001-0093	FLAT BUSHING	1
7	903007-0008	FLANGE NUT-M12*1.25	1
7	903007-0008-02	FLANGE NUT-M12*1.25	1
8	205001-0031	REAR SPROCKET	1
9	903020-0035	SCREW-M8*20	4
10	C90002-0079	REAR WHEEL ASSY	1

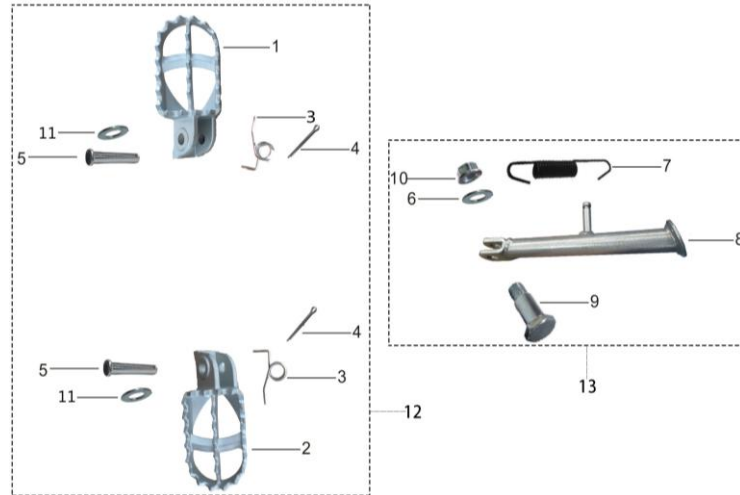
## Frame Assy



车架总成

No.	Code	Name	Qty.
1	551000-0130-01	FRAME ASSY	1
2	908004-0001	PLUG	2
3	203004-0014	CHAIN ROLLER	1
4	907001-0001	BEARING	2
5	902001-0003	FLAT BUSHING	1
6	903013-0025	SCREW-M8*45 10.9	1
7	903018-0020	FLANGE BOLT- M8*90	2
7	903018-0020-02	FLANGE BOLT- M8*90	2
8	903007-0005	FLANGE LOCK NUT-M8	3
9	908004-0007	RUBBER PLUG	2
10	903002-0004	WASHER-Φ8*16*1.5	1
10	903002-0004-03	WASHER-Φ8*16*1.5	1

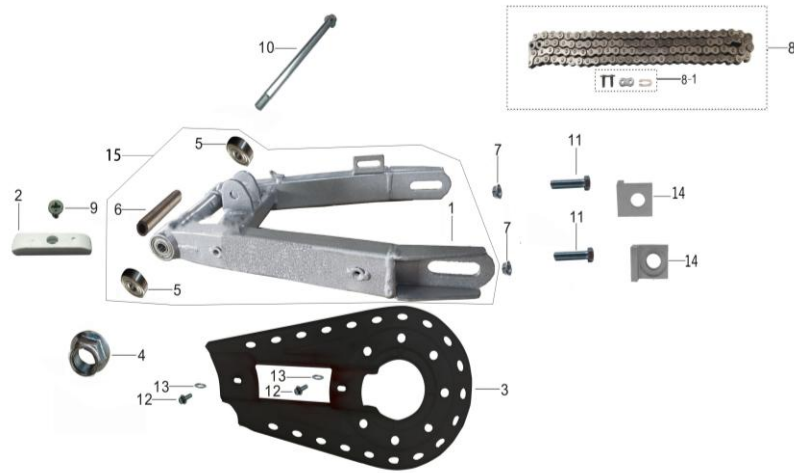
## Sidestand & Footpegs Assy



单撑与脚踏总成

No.	Code	Name	Qty.
1	506003-0029	RIGHT FOOTPEG	1
2	506003-0028	LEFT FOOTPEG	1
3	407001-0014	FOOTPEG SPRING	2
4	904002-0002	COTTER PIN-2.5*24	2
4	904002-0002-03	COTTER PIN-2.5*24	2
5	904001-0001	PIN AXLE-Φ8*42.5+Φ3*37.5	2
6	903002-0011	WASHER-Φ13*20*1.5	1
6	903002-0011-02	WASHER-Φ13*20*1.5	1
7	407002-0001	SIDESTAND SPRING	1
8	554000-0052	SIDESTAND	1
9	903020-0001	STEP BOLT-M10*30*1.5 S17	1
9	903020-0001-03	STEP BOLT-M10*30*1.5 S17	1
10	903006-0005	FLANGE NUT-M10*1.5	1
10	903006-0005-03	FLANGE NUT-M10*1.5	1
11	903002-0004	WASHER-Φ8*16*1.5	2
11	903002-0004-03	WASHER-Φ8*16*1.5	2
12	C90002-0019-02	LEFT AND RIGHT FOOTPEGS ASSY	1
13	C90002-0038	SIDESTAND ASSY	1

## Swingarm Kit



平叉总成

No.	Code	Name	Qty.
1	553000-0057	STEEL SWINGARM	1
2	203004-0011	CHAIN GUIDE	1
3	203004-0032	CHAIN COVER	1
4	903007-0006	FLANGE LOCKNUT-M10*1.25	1
4	903007-0006-02	FLANGE LOCKNUT-M10*1.25	1
5	907001-0002	BEARING	2
6	902001-0139	FLAT BUSHING-Φ12*16*124	1
7	903005-0006	FLANGE BOLT-M8	2
7	903005-0006-02	FLANGE BOLT-M8	2
8	203000-0086	CHAIN	1
8-1	203001-0002	CHAIN JOINT	1
9	903011-0002	SCREW-M6*12	1
9	903011-0002-03	SCREW-M6*12	1
10	901001-0004	FLANGE AXLE-Φ10*165*M10*1.25MM	1
11	903017-0007-03	FLANGE BOLT-M8*40 S10	2
12	903018-0003	FLANGE BOLT-M6*12	2
12	903018-0003-03	FLANGE BOLT-M6*12	2
13	903002-0002	WASHER-Φ6*18*1.5	2
13	903002-0002-03	WASHER-Φ6*18*1.5	2
14	203002-0005	CHAIN ADJUSTER	2
15	C90002-0021	SWINGARM ASSY	1

## Rear Shock Assy



后减总成

No.	Code	Name	Qty.
1	502000-0003	REAR SHOCK	1
2	903018-0032	FLANGE BOLT-M10*40*1.25	2
2	903018-0032-02	FLANGE BOLT-M10*40*1.25	2
3	903007-0006	FLANGE LOCKNUT-M10*1.25	2
3	903007-0006-02	FLANGE LOCKNUT-M10*1.25	2

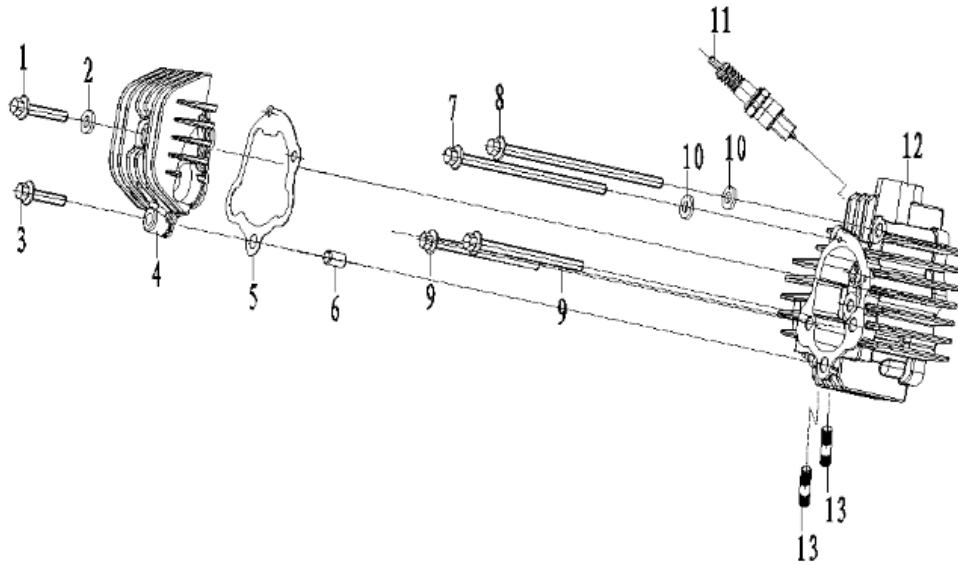
## Engine Assy



## 发动机总成

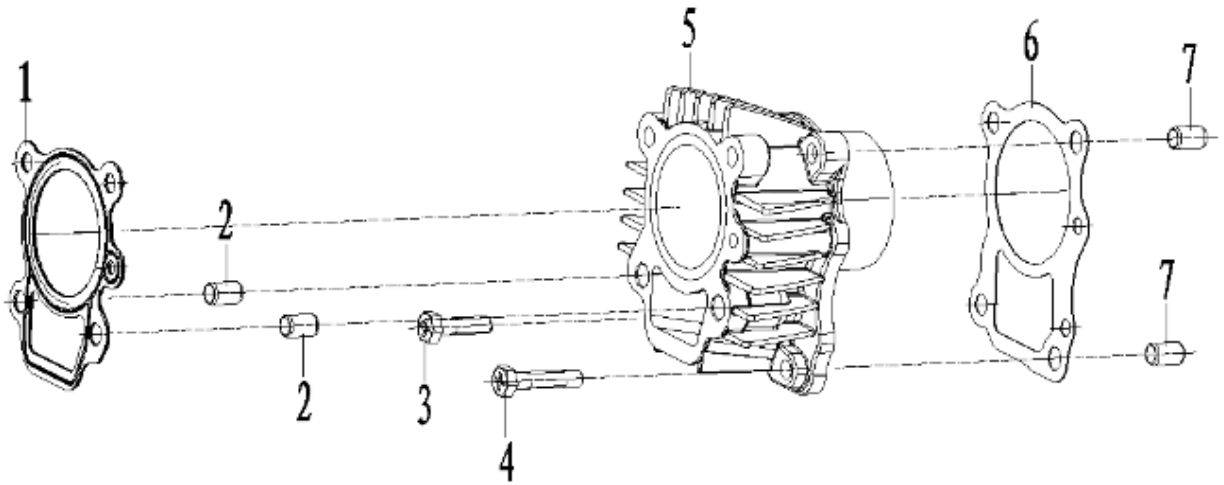
No.	Code	Name	Qty
1	101000-0642	ENGINE ASSY	1

## CYLINDER HEAD ASSY



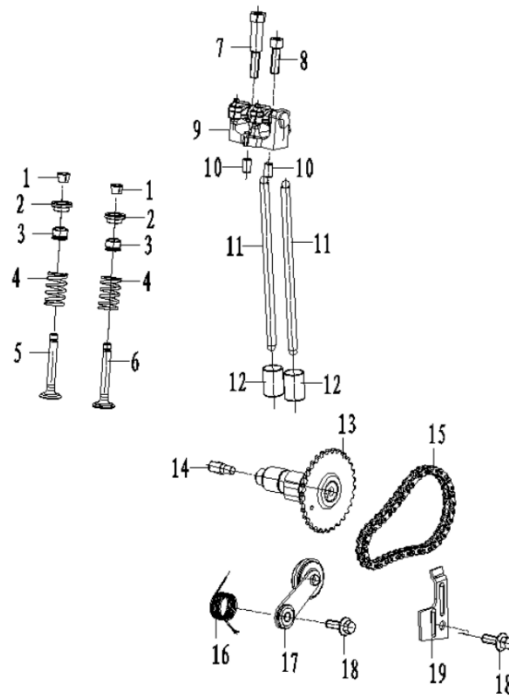
No.	Code	Name	Qty.
1	101034-0001	BOLT, M6×25	1
2	101034-0002	WASHER, Φ6.2×2×Φ13	1
3	101034-0003	BOLT, M6×30	1
4	101034-0004	UPPER COVER CYLINDER HEAD	1
5	101034-0005	GASKET CYLINDER HEAD UPPER COVER	1
6	101034-0006	DOWEL PIN, Φ8×12×Φ6.3	1
7	101034-0007	BOLT, M6×105	1
8	101034-0008	BOLT, M6×115	1
9	101034-0009	BOLT, M6×75	2
10	101034-0010	WASHER, Φ6.2×2×Φ13	2
11	101034-0011	SPARK PLUG	1
12	101034-0012	CYLINDER HEAD ASSY	1
13	101034-0013	STUD	2

## CYLINDER ASSEMBLY



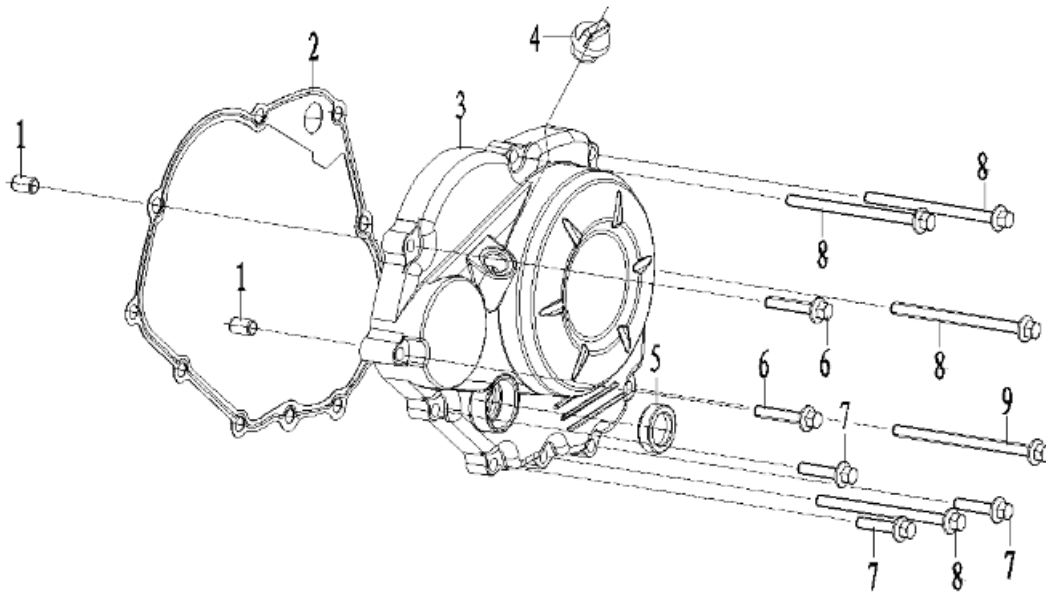
No.	Code	Name	Qty.
1	101034-0014	CYLINDER HEAD GASKET ASSY	1
2	101034-0015	DOWEL PIN, $\Phi 8 \times 12 \times \Phi 6.3$	2
3	101034-0016	BOLT, M6 $\times$ 23	1
4	101034-0017	BOLT, M6 $\times$ 30	1
5	101034-0018	CYLINDER BLOCK ASSEMBLY	1
6	101034-0019	CYLINDER BLOCK GASKET	1
7	101034-0020	DOWEL PIN, $\Phi 8 \times 14 \times \Phi 7$	2

## VALVE MECHANISM



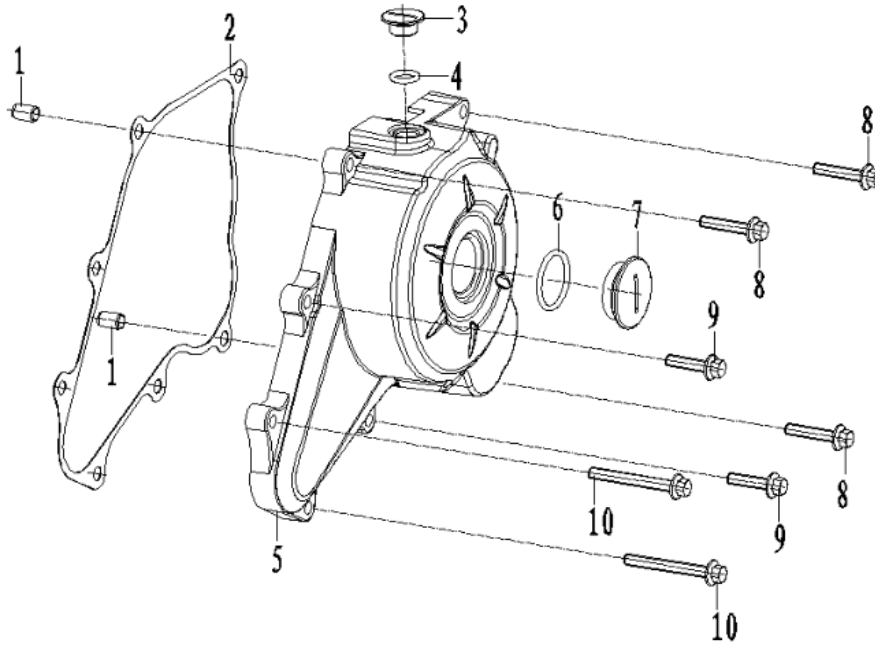
No.	Code	Name	Qty.
1	101034-0021	VALVE LOCKER	4
2	101034-0022	VALVE SPRING SEAT	2
3	101034-0023	VALVE STEM SEAL	2
4	101034-0024	VALVE OUTER SPRING	2
5	101034-0025	INTAKE VALVE	1
6	101034-0026	EXHAUST VALVE	1
7	101034-0027	ROCKER INSTALL BOLT	1
8	101034-0028	ROCKER INSTALL BOLT	1
9	101034-0029	VALVE ROCKER ARM ASSEMBLY	1
10	101034-0030	PIN, $\Phi 6 \times 10$	2
11	101034-0031	PUSH LEVER COMP	2
12	101034-0032	HANDSPIKE SOCKET SLEEVE	2
13	101034-0033	GAMP SHAFT COMP	1
14	101034-0034	CAMSHAFT BOLT	1
15	101034-0035	SPROKET CHAIN	1
16	101034-0036	SPRING	1
17	101034-0037	CHAIN ADJUSTING SET	1
18	101034-0038	BOLT, M6 $\times$ 16	2
19	101034-0039	CHAIN WHEEL PLATEN	1

## RIGHT CRANKCASE COVER



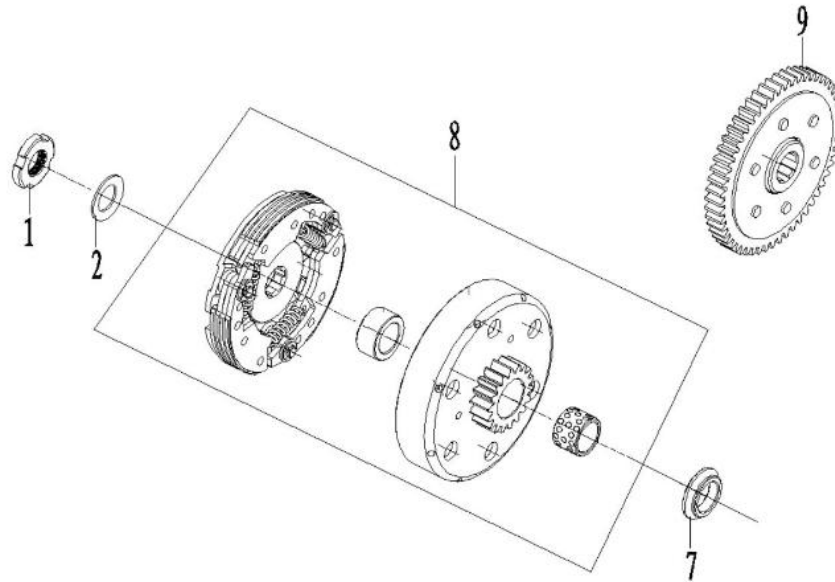
No.	Code	Name	Qty.
1	101034-0040	DOWEL PIN, $\Phi 8 \times 12 \times \Phi 6.3$	2
2	101034-0041	RIGHT CRANKCASE COVER GASKET	1
3	101034-0042-02	RIGHT CRANKCASE COVER COMP	1
4	101034-0043	OIL PLUG ASSY	1
5	101034-0044	OIL LEVEL SIGHT WINDOW	1
6	101034-0045	BOLT, M6 $\times$ 30	2
7	101034-0046	BOLT, M6 $\times$ 25	3
8	101034-0047	BOLT, M6 $\times$ 80	4
9	101034-0048	BOLT, M6 $\times$ 85	1

## LEFT CRANKCASE COVER



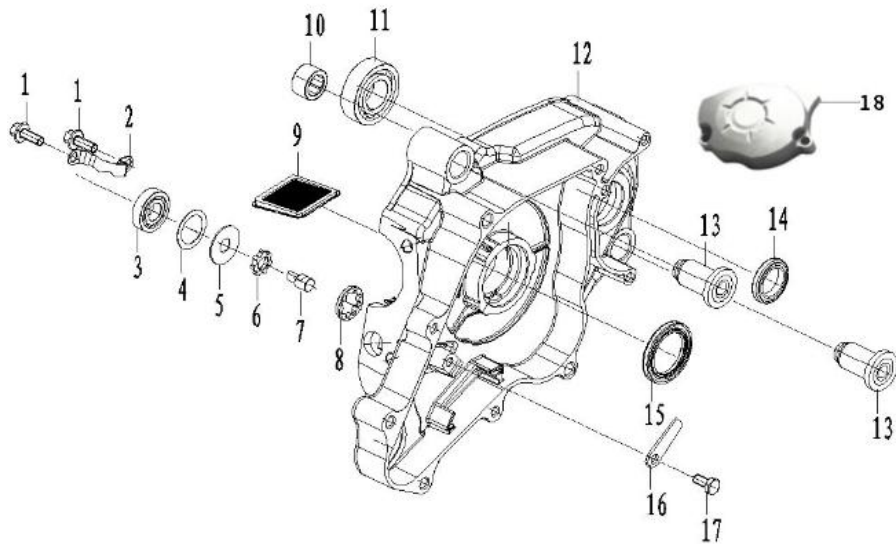
No.	Code	Name	Qty.
1	101034-0049	DOWEL PIN, $\Phi 8 \times 12 \times \Phi 6.3$	2
2	101034-0050	LEFT CRANKCASE COVER GASKET	1
3	101034-0051	SMALL VIEW HOLE CAP	1
4	101034-0052	O-RING, $\Phi 13.2 \times 2.65$	1
5	101034-0150	BACK PART OF LEFT CRANKCASE COVER	1
6	101034-0054	O-RING, $\Phi 27.4 \times 2.65$	1
7	101034-0055	BIG VIEW HOLE CAP	1
8	101034-0056	BOLT, M6 $\times$ 30	3
9	101034-0057	BOLT, M6 $\times$ 25	2
10	101034-0058	BOLT, M6 $\times$ 50	2

## CLUTCH ASSY



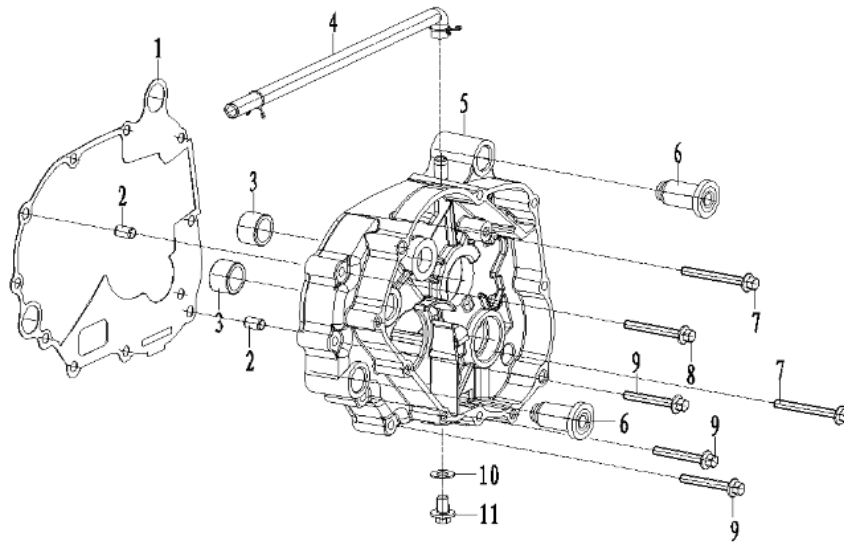
No.	Code	Name	Qty.
1	101034-0059	PRIMARY CLUTCH LOCK NUT	1
2	101034-0060	CLUTCH DISH WASHER	1
3	101034-0061	DRIVING PLATE GROUP	1
4	101034-0062	SHAFT SLEEVE	1
5	101034-0063	OUTER COVER ASSEMBLE	1
6	101034-0064	SHAFT SLEEVE	1
7	101034-0065	BUSH	1
8	101034-0066	CLUTCH ASSEMBLE	1
9	101034-0067	DRIVEN GEAR COMP	1

## LEFT CRANKCASE



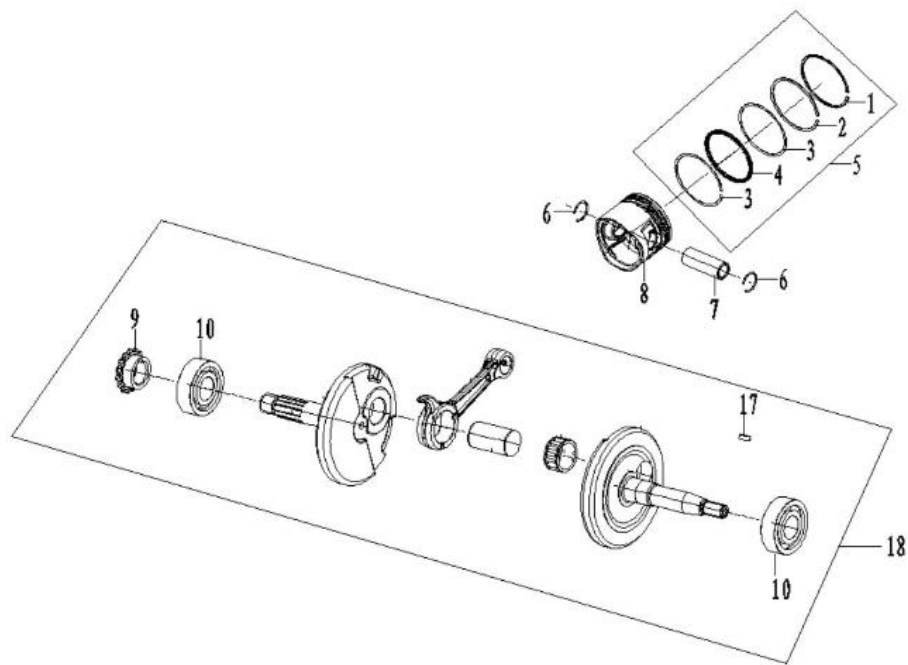
No.	Code	Name	Qty.
1	101034-0068	BOLT, M6×16	2
2	101034-0069	BEARING DEAD PLATE	1
3	101034-0070	BEARING, 16001	1
4	101034-0071	WASHER, Φ9.5×1×Φ26.5	1
5	101034-0072	WASHER, Φ20×0.5×Φ27	1
6	101034-0073	INNER ROTOR OIL PUMP	1
7	101034-0074	SHAFT OIL PUMP	1
8	101034-0075	OUTER ROTOR OIL PUMP	1
9	101034-0076	OIL FILTER STRAINER	1
10	101034-0077	NEEDLE BEARING, (HK15×21×12)	1
11	101034-0078	BEARING, 6004	1
12	101034-0079	LEFT CRANKCASE BLOCK	1
13	101034-0080	ABSORBER SLEEVE	2
14	101034-0081	OIL SEAL, 20×30×5	1
15	101034-0082	OIL SEAL, 30×42×4.5	1
16	101034-0083	BOLT, M6×12	1
17	101034-0084	STARTING SPROCKET PLATE	1
18	101034-0143	DRIVE SPROCKET COVER	1

## RIGHT CRANKCASE



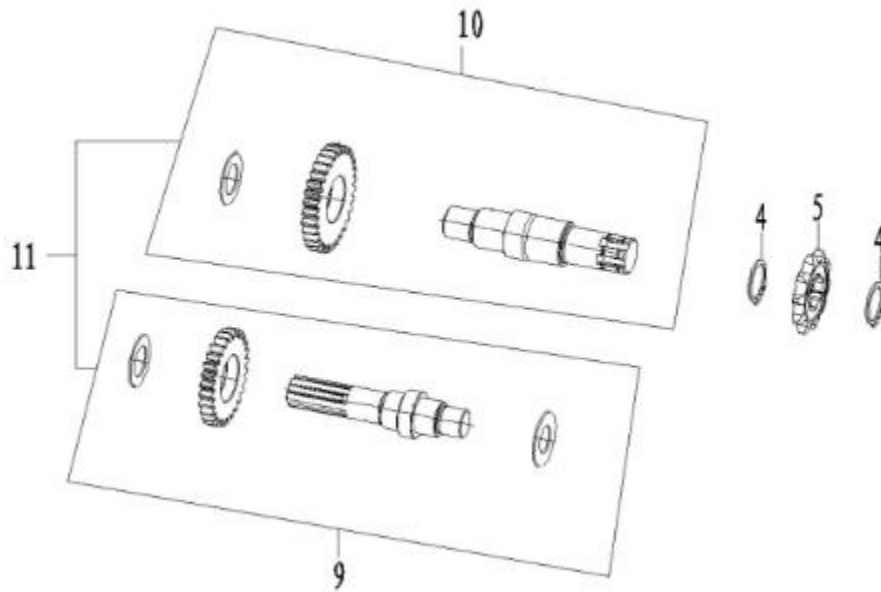
No.	Code	Name	Qty.
1	101034-0085	CRANKCASE GASKET	1
2	101034-0086	DOWEL PIN, $\Phi 8 \times 12 \times \Phi 6.3$	2
3	101034-0087	NEEDLE BEARING, (K25 $\times$ 29 $\times$ 13)	2
4	101034-0088	PIPE ASSY	1
5	101034-0089	RIGHT CRANKCASE BLOCK	1
6	101034-0090	ABSORBER SLEEVE	2
7	101034-0091	BOLT, M6 $\times$ 50	2
8	101034-0092	BOLT, M6 $\times$ 45	1
9	101034-0093	BOLT, M6 $\times$ 40	3
10	101034-0094	WASHER, $\Phi 8 \times 1 \times \Phi 16$	1
11	101034-0095	BOLT, M8 $\times$ 12 $\times$ 1	1

## CRANKSHAFT CONNECTING-ROD ASSY/PISTON



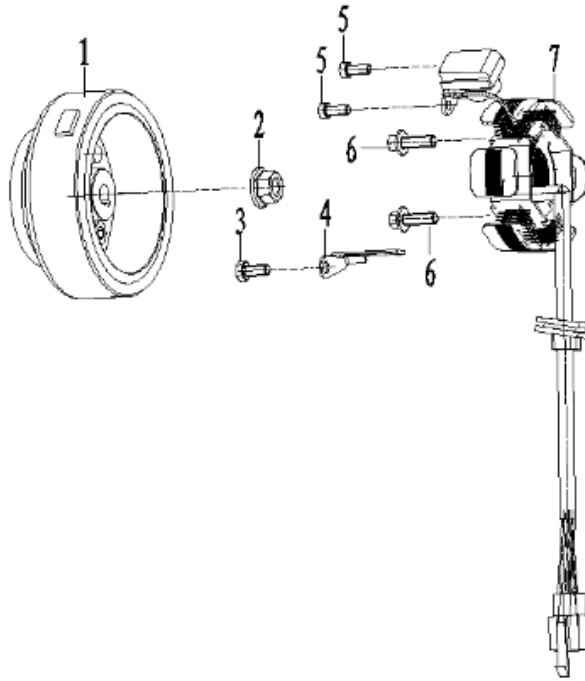
No.	Code	Name	Qty.
5	101034-0100	PISTON RING COMP	1
6	101034-0101	CHECK RING OF PISTON PIN	2
7	101034-0102	PISTON PIN	1
8	101034-0103	PISTON	1
9	101034-0104	TIMING DRIVE SPROCKET	1
10	101034-0105	BEARING, (6203)	2
11	101034-0106	PIN, $\Phi 4 \times 7.7$	1
12	101034-0107	LEFT CRANK	1
13	101034-0108	CONNECTING ROD	1
14	101034-0109	CRANKSHAFT CRANK PIN	1
15	101034-0110	BEARING, 23.8×19×11.8	1
16	101034-0111	RIGHT CRANK	1
17	101034-0112	WOODRUFF KEY	1
18	101034-0113	CRANKSHAFT CONNECTING-ROD ASSY	1

## TRANSMISSION MAIN, COUNTER SHAFT



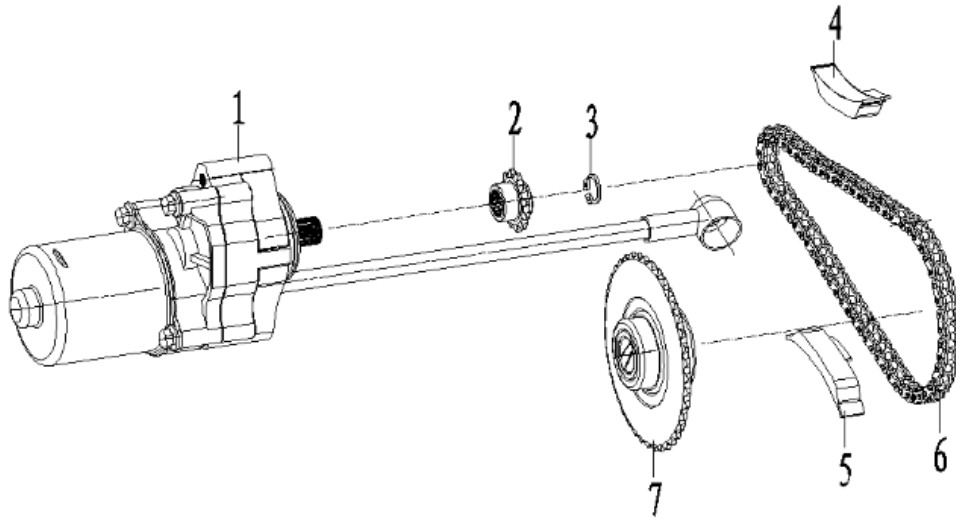
No.	Code	Name	Qty.
4	101034-0117	RETAINING RING, 20	2
5	101034-0118	DRIVE SPROCKET	1
9	101034-0122	MAIN SHAFT ASSEMBLY	1
10	101034-0123	COUNTERSHAFT ASSEMBLY	1
11	101034-0124	TRANSMISSION MAIN, COUNTER SHAFT	1

## MAGNETO COMP



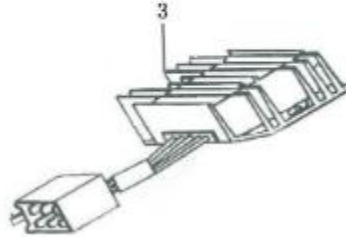
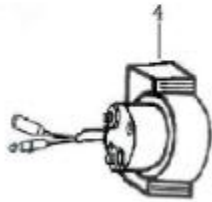
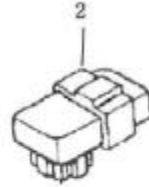
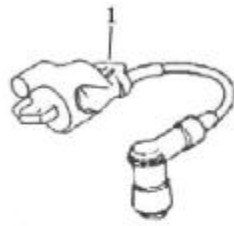
No.	Code	Name	Qty.
1	101034-0125	ROTOR ASSY MAGNETO	1
2	101034-0126	NUT, M10×1.25	1
3	101034-0127	BOLT, M6×12	1
4	101034-0128	FIXING PLATE MAGNETO CABLE	1
5	101034-0129	BOLT, M5×12	2
6	101034-0130	BOLT, M6×18	2
7	101034-0131	MAGNETO STATOR ASSY	1

## ELECTRIC STARTING MECHANISM



No.	Code	Name	Qty.
1	101034-0132	STARTING MOTOR ASSY	1
2	101034-0133	SMALL SPROCKET	1
3	101034-0134	RETAINING RING, 11	1
4	101034-0135	CHAIN GUIDE PLATE ASSEMBLY	1
5	101034-0136	CHAIN PROTECT PLATE ASSEMBLY	1
6	101034-0137	STARTING MOTOR DRIVE CHAIN	1
7	101034-0138	START CHAIN WHEEL ASSEMBLY	1

## ELECTRIC



No.	Code	Name	Qty.
1	101034-0139	IGNITION COIL	1
2	101034-0140	C.D.I	1
3	101034-0141	RECTIFIER	1
4	101034-0142	RELAY	1

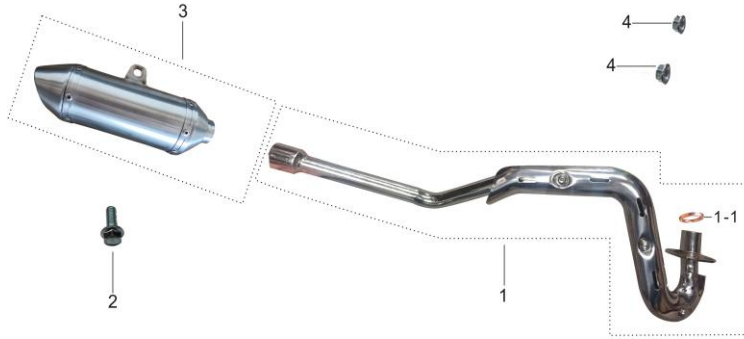
## Carburetor & Air Filter Assy



化油器组件

No.	Code	Name	Qty.
1	102000-0002	CARBURETOR	1
1	102000-0002-02	CARBURETOR	1
2	105000-0001	AIR FILTER	1

# Muffler Assy



消音器总成

No.	Code	Name	Qty.
1	106001-0126	EXHAUST PIPE	1
1-1	106003-0003	MUFFLER SEAL-Φ14*21	1
2	903019-0011	FLANGE BOLT-M8*12	1
2	903019-0011-03	FLANGE BOLT-M8*12	1
3	106002-0037	MUFFLER	1
4	903007-0003	FLANGE LOCK NUT- M6 90301-KRS-8300 M6	2

## Electric Component Assy



电器件组件

No.	Code	Name	Qty.
1	309001-0134	MAIN CABLE	1
1	309001-0134-02	MAIN CABLE	1
2	312001-0006	LITHIUM BATTERY	1
3	314001-0003-03	KEY LOCK	1
3	314001-0003-04	KEY LOCK	1

## Fuel Tank Assy



油箱总成

No.	Code	Name	Qty.
1	805001-0037	FUEL TANK	1
1-1	805003-0020	FUEL TANK CAP	1
1-2	805004-0028	FUEL TANK TAP	1
2	805005-0001-06	FUEL CAP BREATHER	1
3	103003-0001	BUSHING	1
4	903019-0007	FLANGE BOLT-M6*25	1
5	903002-0002	FLAT WASHER-Φ6*18*1.5	2
5	903002-0002-03	FLAT WASHER-Φ6*18*1.5	2
6	906002-0002	PIPE CLIP-Φ8	2
7	903019-0004	FLANGE BOLT-M6*16	1
8	906002-0003	PIPE CLIP-Φ8.2	1
9	906002-0004	PIPE CLIP-Φ8.5	1
10	908003-0002	RUBBER FLAT WASHER-Φ5.5*14.5*2	1
11	108001-0002	FUEL FILTER	1
12	906002-0001	PIPE CLIP-Φ7.5	2

## Plastic Kit



塑件总成

No.	Code	Name	Qty.
1	801002-0012	FRONT PLATE	1
2	555000-0186	FRONT PLATE BRACKET	1
3	801002-0013	FRONT FENDER	1
4	801002-0015	RIGHT PANEL	1
5	701000-0056	SEAT	1
6	801002-0014	LEFT PANEL	1
7	801002-0016	REAR PANEL	1
8	801002-0017	REAR FENDER	1
9	908007-0034	ROUND BUCKLE	2
10	903012-0011	SCREW-TM6*10	9
10	903012-0011-03	SCREW-TM6*10	9
11	903012-0006	SCREW-TM6*12	5
11	903012-0006-03	SCREW-TM6*12	5
12	902002-0042	STEP SLEEVE	3
13	903019-0004	FLANGE BOLT-M6*16	3
14	903002-0004	WASHER-Φ8*16*1.5	1
14	903002-0004-03	WASHER-Φ8*16*1.5	1
15	903001-0004	SPRING WASHER-Φ8*13*2	1
15	903001-0003-02	SPRING WASHER-Φ8*13*2	1
16	903008-0032	BUTTERFLY NUT-M8	1
17	C90002-0050	PLASTIC KIT	1

## Sticker



## 贴花

No.	Code	Name	Qty.
1	802002-0048	STICKER	1
1	802002-0048-02	STICKER	1
2	802002-0049	HANDLEBAR PAD COVER	1

## Training Wheels Options



No.	Code	Name	Qty.
1	555000-0142-01	TRAINING WHEELS BRACKET	1
2	401005-0029	TRAIN WHEELS	2
3	903018-0035	BOLT-M10*70*1.25	2
3	903018-0035-02	BOLT-M10*70*1.25	2
4	903002-0008	WASHER-Φ10*20*2	2
4	903002-0008-03	WASHER-Φ10*20*2	2
5	903018-0032	BOLT-M10*40*1.25	2
5	903018-0012-03	BOLT-M8*40	2