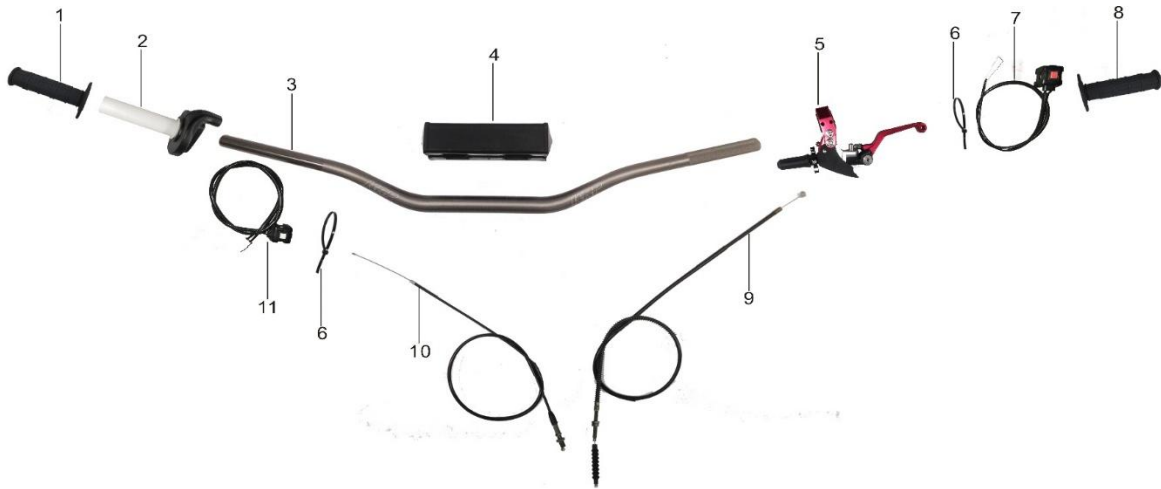


K6 Parts Catalog

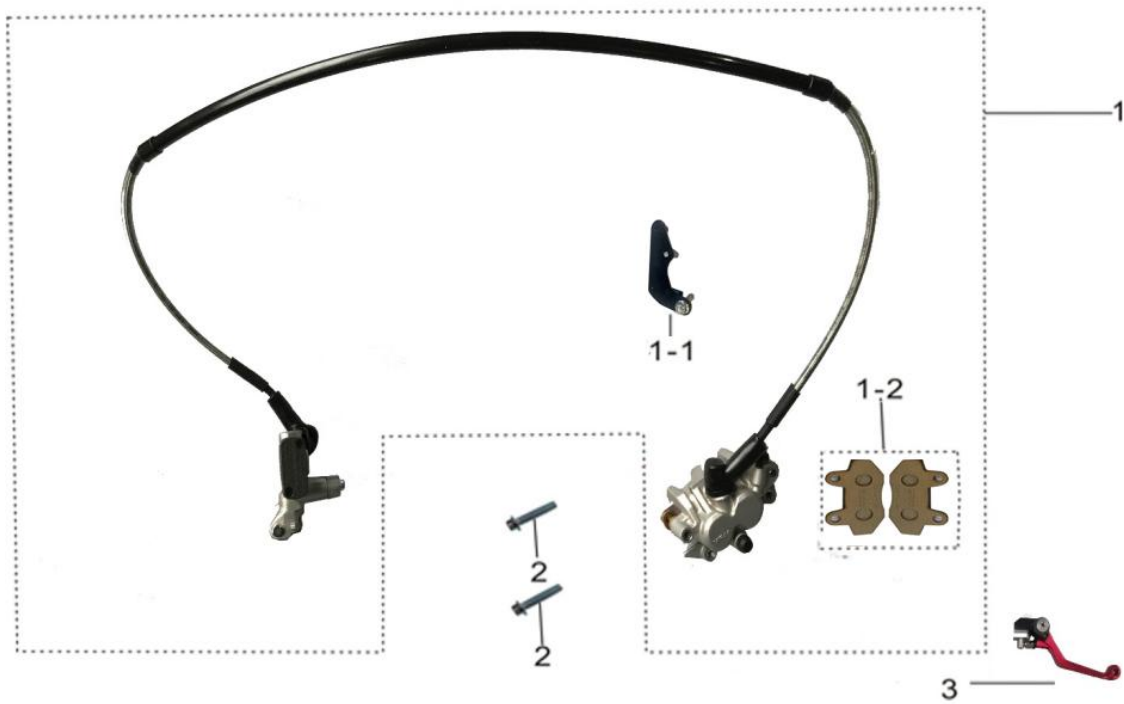


Handlebar Assy



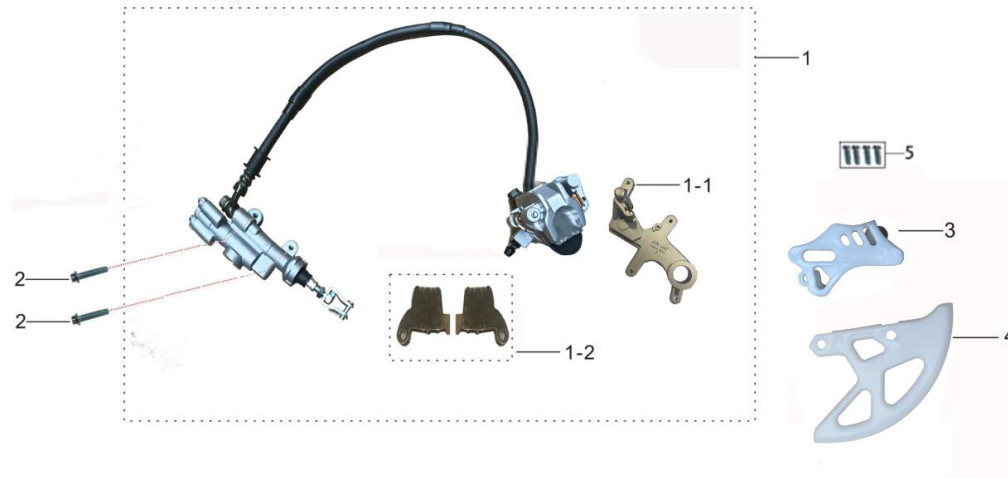
No.	Code	Name	Qty.
1	602006-0019	RIGHT BAR GRIP	1
2	602011-0009	THROTTLE PERCH	1
3	602002-0021	ALUMINIUM HANDLE BAR	1
3	602002-0025	ALUMINIUM HANDLE BAR	1
3	602002-0025-03	ALUMINIUM HANDLEBAR	1
4	602017-0005	HANDLE BAR PAD	1
5	602007-0027	CLUTCH ASSY.	1
6	906003-0002	PLATIC BELT	2
7	313003-0014	STOP SWITCH	1
8	602006-0018	LEFT BAR GRIP	1
9	602013-0017	CLUTCH CABLE	1
10	602014-0025	THROTTLE CABLE T6	1
10	602014-0025-02	THROTTLE CABLE	1
11	313002-0006	START SWITCH	1

Front Brake Assy



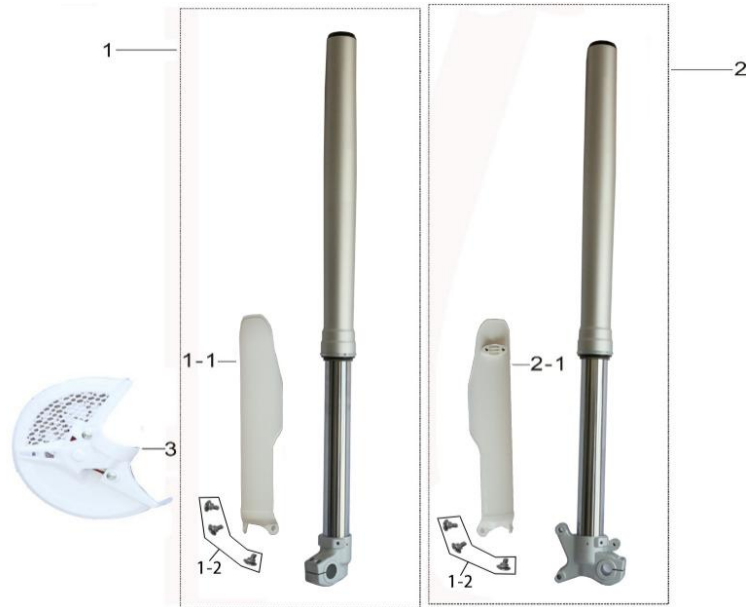
No.	Code	Name	Qty.
1	404000-0157	FRONT BRAKE ASSY.	1
1-1	404008-0018	FRONT BRAKE BRACKET	1
1-2	404007-0019	FRONT BRAKE PAD	1
2	903018-0012	FLANGE BOLT-M8*40	2
2	903018-0012-03	FLANGE BOLT-M8*40	2
3	404002-0025	FRONT BRAKE LEVER	1

Rear Brake Assy



No.	Code	Name	Qty.
1	405000-0109	REAR BRAKE ASSY.	1
1	405000-0109-03	REAR BRAKE ASSY.	1
1	405000-0109-04	REAR BRAKE ASSY.	1
1-1	405009-0014	REAR BRAKE BRACKET	1
1-2	405008-0015	REAR BRAKE PAD	1
2	903020-0023	SCREW-M6*16	2
2	903020-0034	SCREW-M6*20	2
2	903020-0034-02	SCREW-M6*20	2
3	405011-0001	REAR BRAKE PUMP COVER	1
4	405011-0002	REAR BRAKE COVER	1
5	903018-0003	BOLT M6*12	4
5	903018-0003-03	BOLT M6*12	4

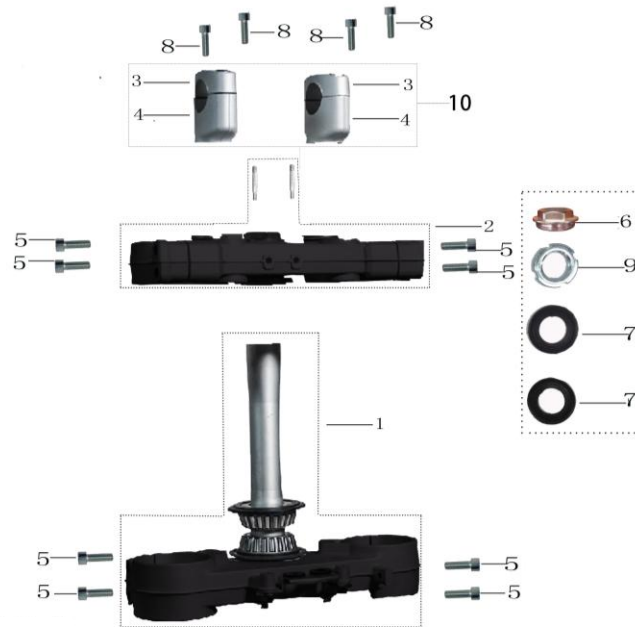
Front Shock Assy



前减总成

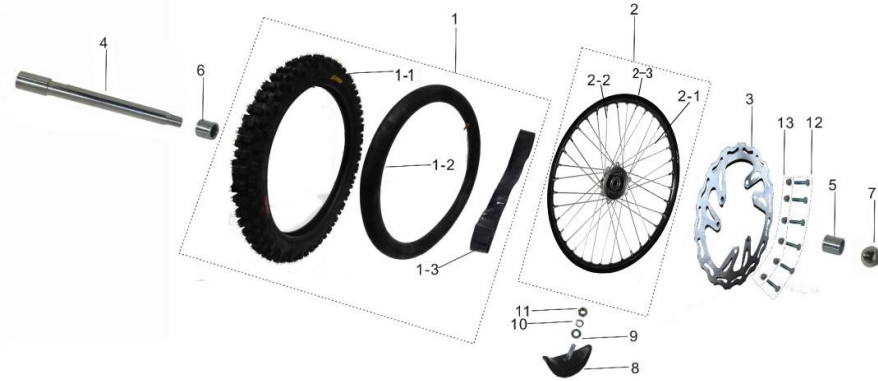
No.	Code	Name	Qty.
1	501000-0111	FRONT RIGHT FORK COVER	1
1-1	501001-0018	FRONT RIGHT FORK COVER	1
1-2	903015-0007	SCREW-M6*12	6
2	501000-0110	FRONT LEFT FORK	1
2-1	501001-0017	FRONT LEFT FORK COVER	1
3	404010-0002	FRONT BRAKE DISC COVER	1

Coupling plate Assy



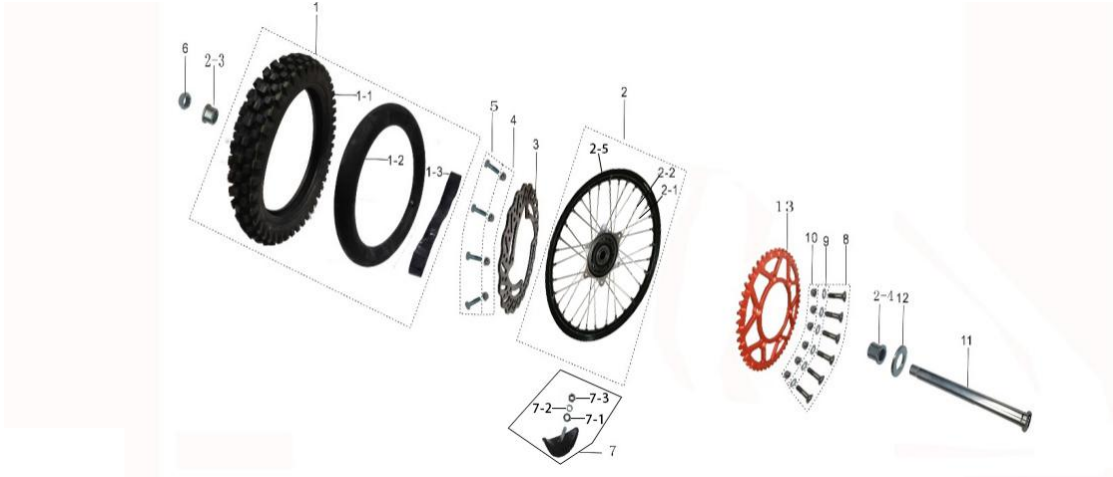
No.	Code	Name	Qty.
1	601002-0026	LOWER CLAMP	1
2	601001-0024	UPPER CLAMP	1
3	601003-0019	UPPER RAISERS	2
4	601004-0023	LOWER RAISERS	2
5	903018-0012	FLANGE BOLT-M8*40	8
5	903018-0012-03	FLANGE BOLT-M8*40	8
6	601005-0021	LOCK NUT-M30*1*H10	1
7	601005-0015	DUST SEAL	2
8	903013-0021	SCREW-M8*30	4
8	903013-0021-03	SCREW-M8*30	4
9	601006-0019	SCREW-M20*1.25*L16	1
10	C90002-0029	UPPER AND LOWER CLAMPING BLOCK ASSEMBLY	1

Front Wheel Assy



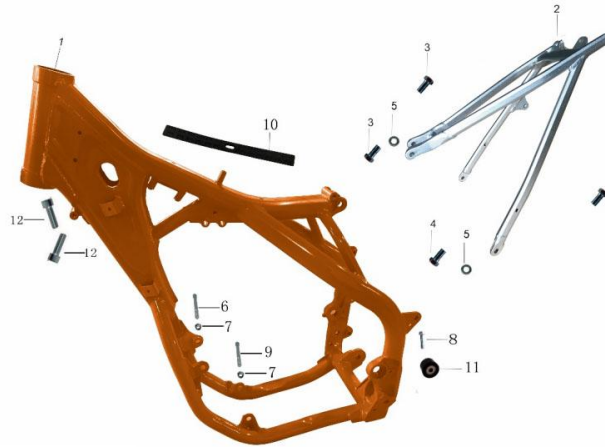
No.	Code	Name	Qty.
1	401005-0013	FRONT TYRE ASSY.	1
1-1	401006-0011	OUTER TYRE	1
1-2	401007-0006	INNER TYRE	1
1-3	401008-0007	LINING BELT	1
2	401000-0078	FRONT RIM	1
2-1	401004-0026	SPOKE ASSY.	18
2-2	401004-0027	SPOKE ASSY.	18
2-2	401001-0010	ALUMINIUM RIM	1
3	404001-0012	FRONT BRAKE DISC	1
4	901003-0001	AXLE	1
5	902002-0035	FRONT RIGHT WHEEL BUSH	1
6	902002-0032	FRONT LEFT WHEEL BUSH	1
7	903007-0010	FLANGE LOCK NUT M16*1.5	1
8	401010-0004	RIM LOCK	1
9	903002-0004	FLAT WASHER-Φ8*16*1.5	1
9	903002-0004-03	FLAT WASHER-Φ8*16*1.5	1
10	903001-0004	SPRING WASHER-Φ8*13*2	1
10	903001-0003-02	SPRING WASHER-Φ8*13*2	1
11	903005-0007	NUT-M8	1
11	903005-0007-03	NUT-M8	1
12	903017-0001	BOLT-M6*20	6
12	903017-0001-02	BOLT-M6*20	6
13	903007-0003	FLANGE LOCK NUT-M6	6
	C90002-0124	FRONT WHEEL ASSY	1

Rear Wheel Assy



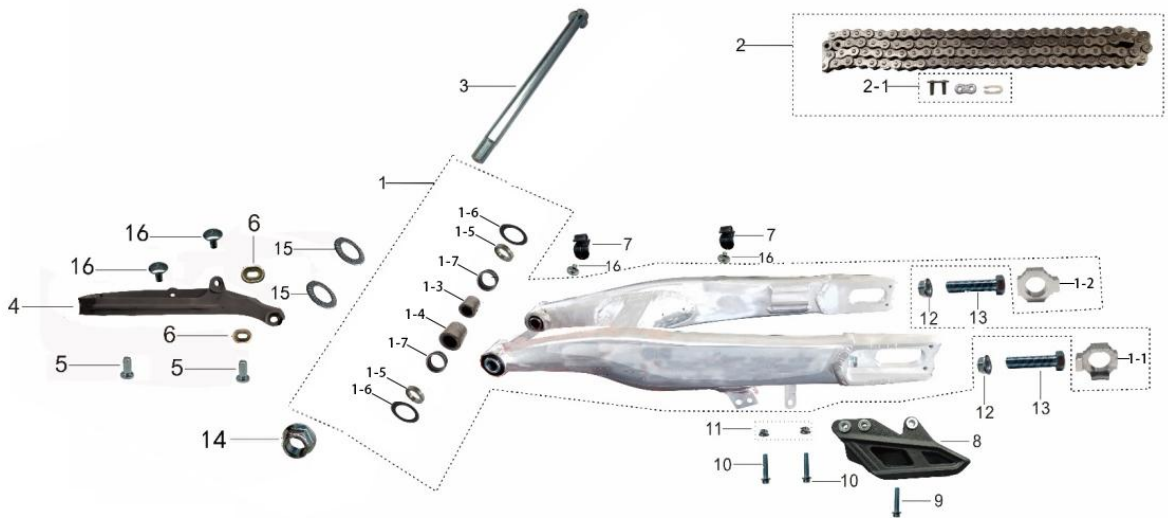
No.	Code	Name	Qty.
1	402005-0023	REAR TYRE ASSY.	1
1-1	402006-0037	OUTER TYRE	1
1-2	402007-0005	INNER TYRE	1
1-3	401008-0005	LINING BELT	1
2	402000-0086	REAR RIM	1
2-1	402004-0026	SPOKE ASSY.	16
2-2	402004-0027	SPOKE ASSY.	16
2-3	902002-0034	REAR RIGHT WHEEL BUSH	1
2-4	902002-0041	REAR LEFT WHEEL BUSH	1
2-5	402001-0021	ALUMINIUM RIM	1
3	405001-0006	REAR BRAKE DISC	1
4	903007-0003	FLANGE LOCK NUT-M6	4
5	903017-0001	BOLT-M6*20	4
5	903017-0001-02	BOLT-M6*20	4
6	903008-0008	LOCK NUT-M22*1.5	1
7	401010-0005	RIM LOCK	1
7-1	903002-0004	FLAT WASHER-Φ8*16*1.5	1
7-2	903001-0004	SPRING WASHER-Φ8*13*2	1
7-3	903005-0007	NUT-M8	1
8	903014-0003	SCREW-M8*31	6
9	903002-0003	FLAT WASHER-Φ8*16*1	6
9	903002-0003-02	FLAT WASHER-Φ8*16*1	6
10	903008-0007	LOCK NUT-M8	6
10	903008-0007-02	LOCK NUT-M8	6
11	901003-0002	AXLE	1
12	601005-0012	WASHER-Φ23*36*1.5	1
13	205001-0027	STEEL REAR SPROCKET	1
13	205001-0047	STEEL REAR SPROCKET	1
13	205001-0047-02	STEEL REAR SPROCKET	1
	C90002-0125	REAR WHEEL ASSY	1

Frame Assy



No.	Code	Name	Qty.
1	551000-0098	FRAME ASSY.	1
1	551000-0118	FRAME ASSY.	1
1	551000-0118-03	FRAME ASSY.	1
2	552000-0032	SUB-FRAME ASSY.	1
2	552000-0032-02	SUB-FRAME ASSY	1
3	404011-0005	BRAKE DISC BOLT-M8*25*1.25	2
4	903019-0014	FLANGE BOLT-M8*25	2
4	903019-0014-03	FLANGE BOLT-M8*25	2
5	903002-0008	FLAT WASHER-Φ10*20*2	2
5	903002-0008-03	FLAT WASHER-Φ10*20*2	2
6	903017-0017	BOLT-M10*110*1.25	1
6	903017-0017-02	BOLT-M10*110*1.25	1
7	903007-0006	LOCK NUT-M10*1.25	2
7	903007-0006-02	LOCK NUT-M10*1.25	2
8	903019-0019	FLANGE BOLT-M8*35	1
9	903019-0024	FLANGE BOLT-M10*115*1.25	1
10	908003-0009	RUBBER TANK GASKET	1
11	203004-0016	CHAIN ROLLER	1
12	903013-0020	SCREW-M8*25	2
12	903013-0020-05	SCREW-M8*25	2

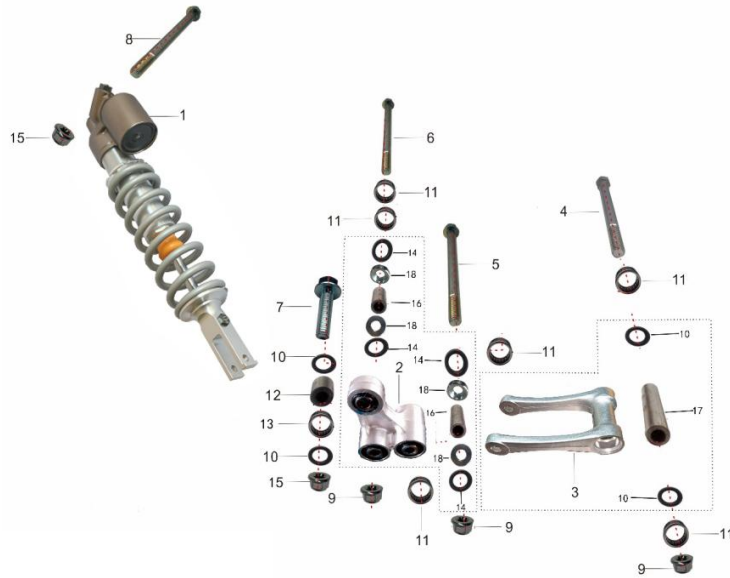
Flat Fork Assy



No.	Code	Name	Qty.
1	553000-0049	ALUMINIUM SWING ARM	1
1	553000-0049-02	ALUMINIUM SWING ARM	1
1-1	203003-0005	CHAIN ADJUSTER(L)	1
1-2	203003-0006	CHAIN ADJUSTER(R)	1
1-3	902001-0171	SWING ARM BUSHING	1
1-4	902001-0109	SWING ARM BUSHING	1
1-5	902001-0121	SWING ARM BUSHING	2
1-6	908001-0020	OIL SEAL	2
1-7	908001-0026	OIL SEAL	2
2	203000-0098	CHAIN	1
2-1	203001-0006	CHAIN CONNECTING LINK	1
3	901003-0012	AXLE	1
4	203004-0039	CHAIN SLIDER	1
5	903009-0010	SCEW-M6*12	2
5	903009-0010-03	SCEW-M6*12	2
6	903003-0006	OVAL GASKET	2
7	405010-0001	REAR BRAKE OIL PIPE CLIP	2
8	203004-0040	CHAIN GUARD	1
9	903018-0004	FLANGE BOLT-M6*16	1
9	903018-0004-03	FLANGE BOLT-M6*16	1
10	903018-0009	FLANGE BOLT-M6*60	2
10	903018-0009-02	FLANGE BOLT-M6*60	2
11	903007-0003	FLANGE LOCK NUT-M6	2
12	903006-0004	FLANGE NUT-M10*1.25	2
12	903006-0004-02	FLANGE NUT-M10*1.25	2

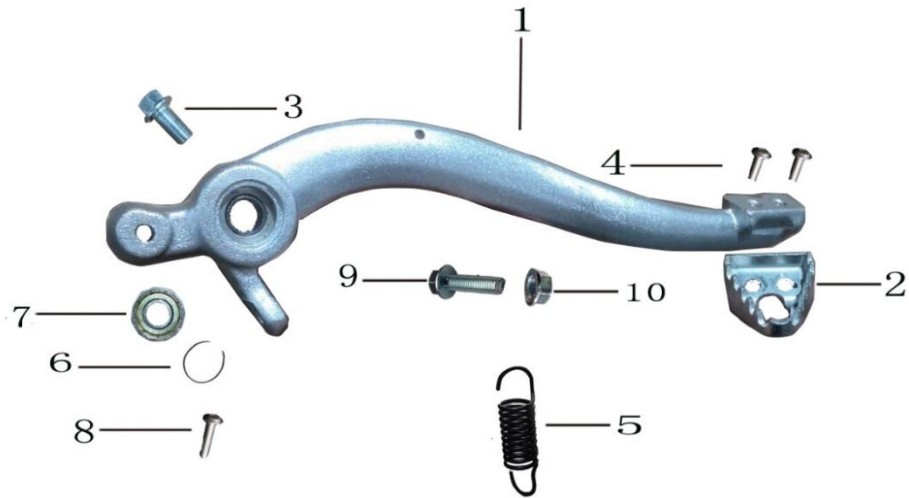
13	903017-0014	FLANGE BOLT-M10*40*1.25	2
13	903017-0014-02	FLANGE BOLT-M10*40*1.25	2
14	903007-0011	FLANGE LOCK NUT-M16*1.5	1
14	903007-0011-02	FLANGE LOCK NUT-M16*1.5	1
15	907001-0030	BEARING- Φ 22*36*6	2
16	903012-0011	SCREW-TM6*10	4
16	903012-0011-03	SCREW-TM6*10	4

Rear Shock and Rocker Assy



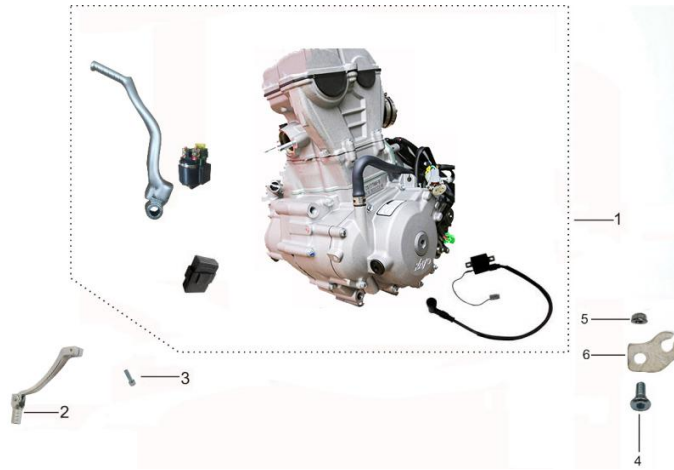
No.	Code	Name	Qty.
1	502000-0079	REAR SHOCK ASSY.	1
2	503000-0008	TRIANGLE ROCKER ARM	1
3	504000-0009	U ROCKER ARM	1
4	901001-0045	FLANGE AXLE	1
5	901001-0044	FLANGE AXLE	1
6	901001-0041	FLANGE AXLE	1
7	903020-0013	OVAL HEAD BOLT	1
8	903018-0034	FLANGE BOLT-M10*50*1.25	1
8	903018-0034-02	FLANGE BOLT-M10*50*1.25	1
9	903007-0008	FLANGE LOCK NUT-M12*1.25	3
9	903007-0008-02	FLANGE LOCK NUT-M12*1.25	3
10	908001-0003	OIL SEAL	4
11	907002-0011	BEARING	6
12	902001-0115	ROCKER ARM BUSH	1
13	907002-0012	BEARING	1
14	908001-0018	OIL SEAL	4
15	903007-0006	LOCK NUT-M10*1.25	2
15	903007-0006-02	LOCK NUT-M10*1.25	2
16	902001-0116	ROCKER ARM BUSH	2
17	902001-0117	ROCKER ARM BUSH	1
18	902003-0005	ROCKER ARM BUSH CAP	4

Brake Pedal Assy



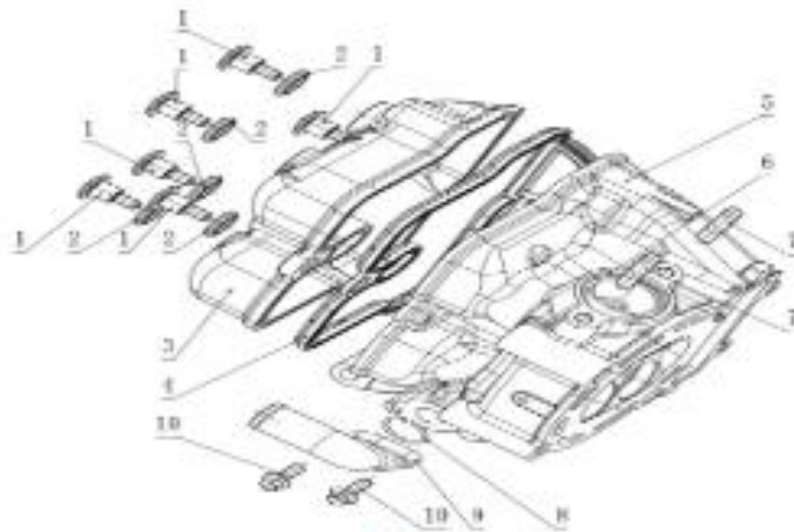
No.	Code	Name	Qty.
1	406001-0037	BRAKE PEDAL	1
2	406002-0004	BRAKE PEDAL HEAD	1
3	903018-0029	FLANGE BOLT-M10*20*1.25	1
3	903018-0029-02	FLANGE BOLT-M10*20*1.25	1
4	903020-0022	SCREW-M5*10	2
5	407003-0001	REAR BRAKE SPRING	1
6	903004-0008	INNER SPRING	1
7	907001-0002	BEARING	1
8	903020-0024	SCREW-M6*25	1
9	903019-0013	FLANGE BOLT-M8*20	1
9	903019-0013-03	FLANGE BOLT-M8*20	1
10	903007-0005	FLANGE LOCK NUT- M8	1
	C90002-0175	BRAKE PEDAL ASSEMBLY	1

Engine Assy



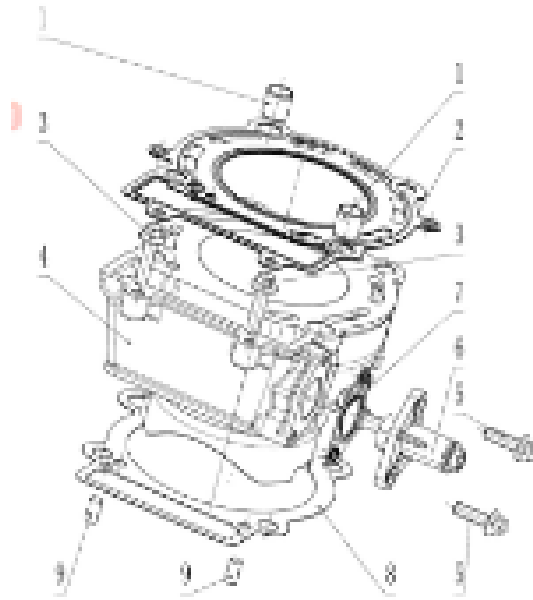
No.	Code	Name	Qty.
1	101000-0511	ENGINE ASSY.	1
2	201002-0016	GEAR SHIFT LEVER	1
3	903019-0007	FLANGE BOLT-M6*25	1
4	404011-0001	BOLT-M8*16*1.25	1
5	903005-0007	NUT- M8	1
5	903005-0007-03	NUT- M8	1
6	555000-0106	CLUTCH CABLE FIX BRACKET	1

CYLINDER HEAD ASSY



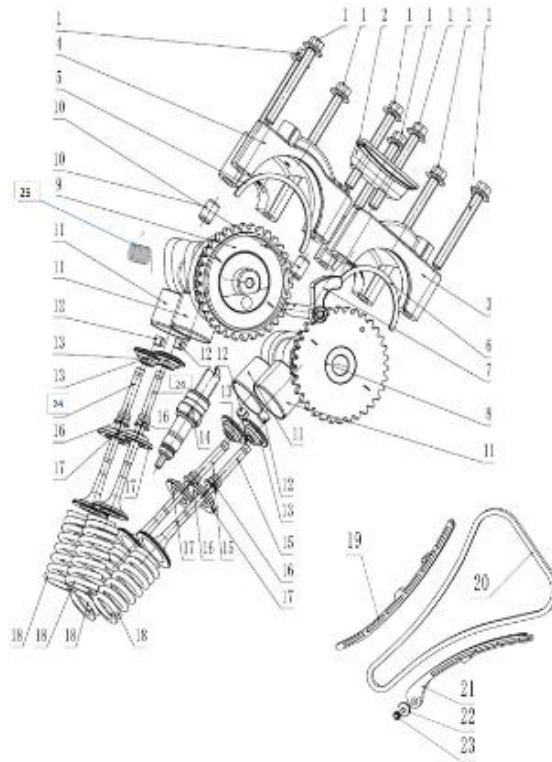
No.	Code	Name	Qty.
1	101029-1114	SCREW, M6	6
2	101029-1115	WASHER	6
3	101029-1116	UPPER COVER CYLINDER HEAD	1
4	101029-1117	SEAL RING, OF UPPER COVER CYLINDER HEAD	1
5	101029-1118	CYLINDER HEAD ASSY	1
6	101029-0290	PACKING SILENCER	1
7	101029-1544	BOLT, M8×40	2
8	101029-1119	O_RING, Φ19×1.8	1
9	101029-1120	OUTPUT WATER NOZZLE OF CYLINDER HEAD	1
10	101029-0880	BOLT, M6×20	2

CYLINDER ASSEMBLY



No.	Code	Name	Qty.
1	101029-1483	DOWEL PIN, $\Phi 13 \times 14$	2
2	101029-1121	GASKET ASSY CYLINDER HEAD	1
3	101029-0890	BOLT, M6 \times 25	2
4	101029-1122	CYLINDER BLOCK	1
5	101029-0880	BOLT, M6 \times 20	2
6	101029-1325	CHAIN TENSIONING WHEEL	1
7	101029-1326	GASKET TENSIONER	1
8	101029-1123	GASKET CYLINDER BLOCK	1
9	101029-1484	PIN, $\Phi 6 \times 12$	2

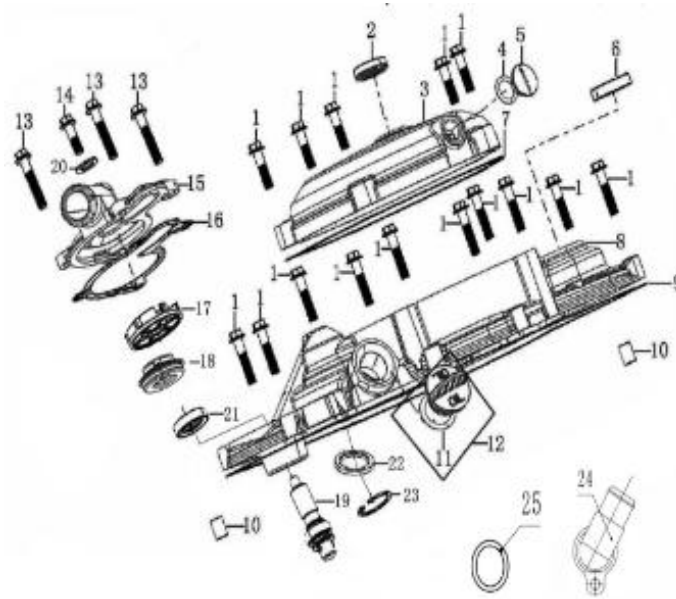
VALVE MECHANISM



No.	Code	Name	Qty.
1	101029-1124	BOLT	8
2	101029-1125	CLAMP	1
3	101029-1126	COVER ADMISSION INLET CAMSHAFT	1
4	101029-1127	COVER ADMISSION EXHAUST CAMSHAFT	1
5	101029-1128	C-TYPE ANNULUS	1
6	101029-1129	C-TYPE ANNULUS	1
7	101029-1130	CENTRIFUGAL MASS ASS.	1
8	101029-1131	GAMP SHAFT COMP	1
9	101029-1132	GAMP SHAFT COMP	1
10	101029-1364	DOWEL PIN, $\Phi 8 \times 12 \times \Phi 6.3$	4
11	101029-1133	VALVE TAPPET	4
12	101029-1327	VALVE LOCKER	8
13	101029-1134	SPRING, SEAT	4
14	101029-1135	SPARK PLUG	1
15	101029-1136	INLET VALVE	2
16	101029-0303	SEAL VALVE STEM	4
17	101029-1137	OUTER VALVE SPRING, RETAINER	4
18	101029-1138	VALVE SPRING	4
19	101029-1139	SLIDING BLOCK	1

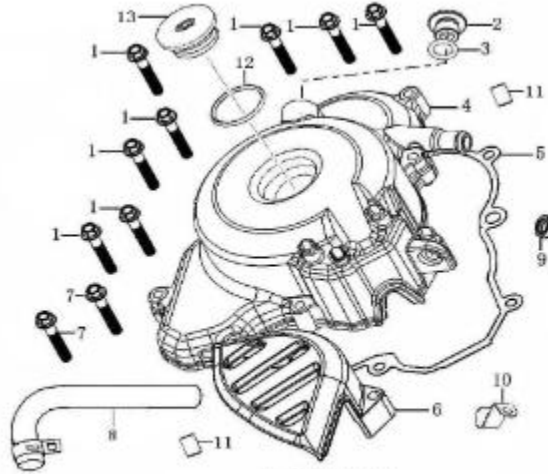
No.	Code	Name	Qty.
20	101029-1140	SPROKET CHAIN	1
21	101029-1141	TENSION PLATE ASSY	1
22	101029-1329	BUSH	1
23	101029-0328	BOLT, M5×25	1
24	101029-1142	EXHAUST VALVE	2
25	101029-1143	DECOMPRESSION SPRING, OF CAMSHAFT	1
26	101029-1144	WASHER, Φ6.5×2×Φ25	1
27	101029-1077	BOLT, M6×16	1

RIGHT CRANKCASE COVER



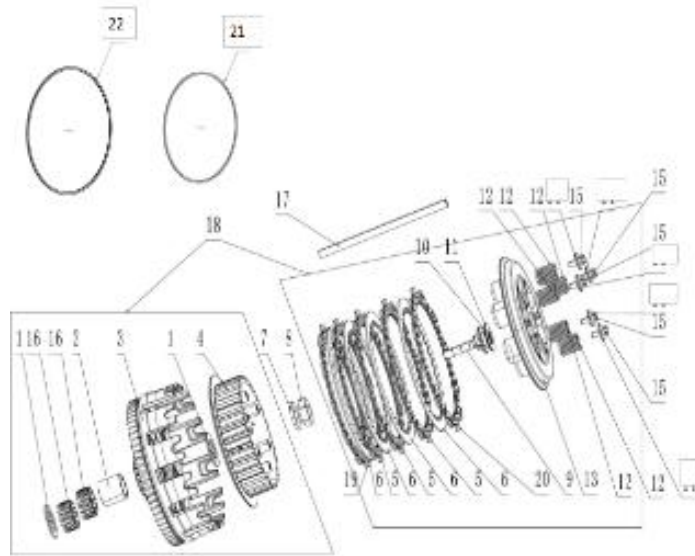
No.	Code	Name	Qty.
1	101029-1525	BOLT, M6×30	15
2	101029-1330	OIL LEVEL SIGHT WINDOW	1
3	101029-1145	DECORATE COVER R. CRANKCASE COVER	1
4	101029-1331	O-RING, Φ13.2×2.65	1
5	101029-1332	CAP SMALL VIEW HOLE	1
6	101029-1333	OIL SEAL 18×30×7	1
7	101029-1146	GASKET DECOTATE COVER	1
8	101029-1147	COVER COMP RIGHT CRANKCASE	1
9	101029-1148	GASKET R. CRANKCASE COVER	1
10	101029-1440	DOWEL PIN, Φ9×13	2
11	101029-1149	O-RING, Φ18×3.55	1
12	101029-1150	OIL PLUG ASSY	1
13	101029-1526	BOLT, M6×35	3
14	101029-0880	BOLT, M6×20	1
15	101029-1151	WATER PUMP COVER	1
16	101029-1152	GASKET	1
17	101029-1153	ANE WHEEL WATER PUMP	1
18	101029-1154	WATER PUMP SEAL	1
19	101029-1155	SHAFT WATER PUMP ASS.	1
20	101029-1481	WASHER, Φ6.5×1.5×Φ12	1
21	101029-1334	OIL SEAL 12×24×6	1
22	101029-1335	OIL SEAL 14×24×7	1
23	101029-1414	RETAINING RING, 24	1
24	101029-1156	WATER PIPE FITTING	1
25	101029-1157	O_RING, Φ19×1.8	1
26	101029-1077	BOLT, M6×16	2

LEFT CRANKCASE COVER



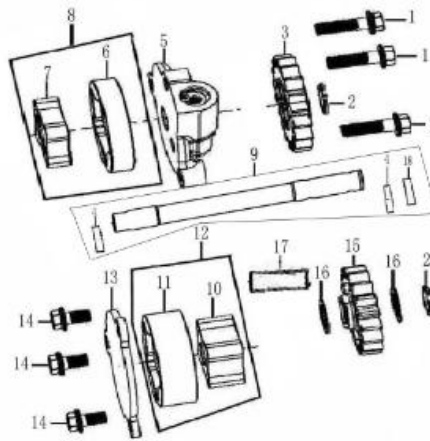
No.	Code	Name	Qty.
1	101029-1526	BOLT, M6×35	9
2	101029-1336	BOLT	1
3	101029-1337	O-RING, Φ11.8×2.6	1
4	101029-1158	LEFT COVER	1
5	101029-1159	GASKET CYLINDER HEAD UPPER COVER	1
6	101029-1338	BACK PART L. CRANKCASE COVER	1
7	101029-1525	BOLT, M6×30	2
8	101029-1339	PIPE ASSY	1
9	101029-1340	OIL SEAL 10×18×6	1
10	101029-0366	FIXING PLATE MAGNETO CABLE	1
11	101029-1440	DOWEL PIN, Φ9×13	2
12	101029-1160	O-RING, Φ22.5×3.55	1
13	101029-1342	CAP BIG VIEW HOLE	1

CLUTCH ASSY



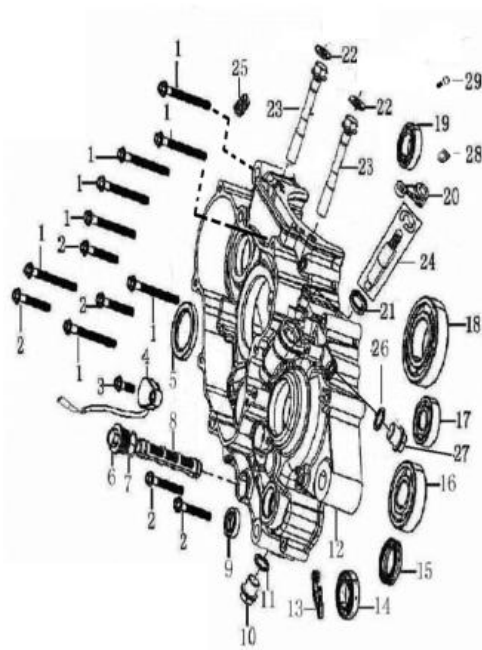
No.	Code	Name	Qty.
1	101029-1161	WASHER, $\Phi 20.2 \times 1.8 \times \Phi 34$	2
2	101029-1162	SLEEVE CLUTCH	1
3	101029-1163	OUT CASE ASSEMBLY CLUTCH	1
4	101029-1164	CENTER SLEEVE CLUTCH	1
5	101029-1165	DRIVE FRICTION DISK	3
6	101029-1166	CLUTCH FRICTION PLATE	4
7	101029-1167	STOP WASHER, CLUTCH	1
8	101029-1371	LOCK NUT, CLUTCH	1
9	101029-1168	ROD CLUTCH PUSH-FCC	1
10	101029-1437	BEARING, (AXK1528)	1
11	101029-1475	WASHER, $\Phi 15 \times 1 \times \Phi 28$	1
12	101029-1169	SPRING, CLUTCH	5
13	101029-1170	PRESSURE PLATE CLUTCH	1
15	101029-1171	BOLT	5
16	101029-1552	NEEDLE BEARING, (K25 \times 29 \times 13)	2
17	101029-1343	PUSHING ROD CLUTCH	1
18	101029-1172	CLUTCH ASSY	1
19	101029-1173	DRIVE FRICTION DISK	1
20	101029-1174	DRIVE FRICTION DISK	1
21	101029-1175	DISC SPRING	1
22	101029-1176	WASHER	1

OIL PUMP



No.	Code	Name	Qty.
1	101029-1524	BOLT, M5×18	3
2	101029-1416	RETAINING RING, 10	2
3	101029-1177	OIL PUMP GEAR ASS.	1
4	101029-1435	PIN, Φ4×15.8	2
5	101029-1276	OIL PUMP COVER	1
6	101029-1432	OUTER ROTOR OIL PUMP	1
7	101029-1430	INNER ROTOR OIL PUMP	1
8	101029-1277	OIL PUMP ROTOR	1
9	101029-1278	SHAFT OIL PUMP	1
10	101029-1431	INNER ROTOR OIL PUMP	1
11	101029-1433	OUTER ROTOR OIL PUMP	1
12	101029-1279	OIL PUMP ROTOR	1
13	101029-1280	OIL PUMP COVER	1
14	101029-1523	BOLT, M5×12	3
15	101029-1178	OIL PUMP GEAR	1
16	101029-1473	WASHER, Φ10.2×0.5×Φ15	2
17	101029-1344	OIL PUMP GEAR SHAFT	1
18	101029-1179	PIN, Φ3×16	1

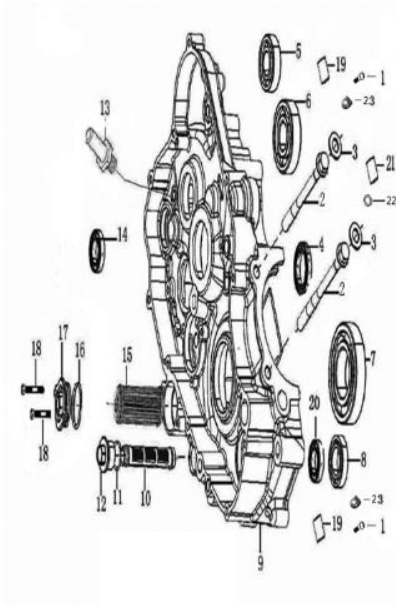
LEFT CRANKCASE



No.	Code	Name	Qty.
1	101029-1542	BOLT, M6×65	8
2	101029-1180	BOLT, M6×45	5
3	101029-1554	SCREW, M6×20	1
4	101029-1345	GEARSHIFT SWITCH COMP	1
5	101029-0406	OIL SEAL 32×47×6	1
6	101029-1347	COVER OIL FILTER SCREEN	1
7	101029-1348	O-RING, Φ17.5×1.8	1
8	101029-1349	STRAINER OIL FILTER	1
9	101029-1350	OIL SEAL 15×25×5	1
10	101029-1532	DRAIN BOLT	1
11	101029-1480	WASHER, Φ16.5×2×Φ23	1
12	101029-1181	ASSM.LEFT CRANKCASE	1
13	101029-1415	RETAINING RING, 28	1
14	101029-1351	BEARING, 61902	1
15	101029-1352	BEARING, (61805)	1
16	101029-1182	BEARING, (63/22JR2C3)	1
17	101029-1183	BEARING, (6203JR2C3)	1
18	101029-1184	BEARING, (6207JR2C3SPX1)	1
19	101029-1185	BEARING, (CSB204_JR2C3)	1
20	101029-1186	ROCKER ARM RELEASE LEVER CLUTCH	1
21	101029-1353	OIL SEAL 14×22×5	1
22	101029-1474	WASHER, Φ10.5×2×Φ20	2

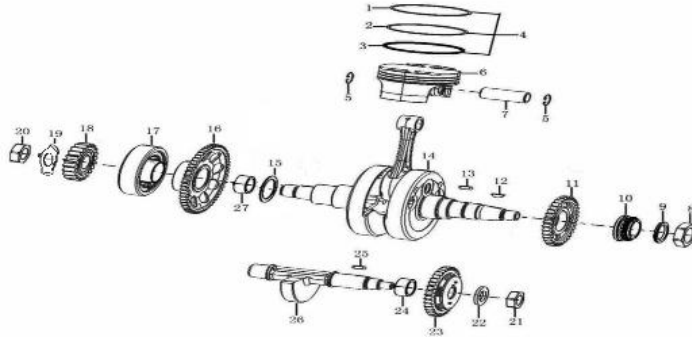
No.	Code	Name	Qty.
23	101029-1187	BOLT	2
24	101029-1188	CLUTCH SEPARATING ROD	1
25	101029-1281	OIL NOZZLE	1
26	101029-1482	WASHER, $\Phi 8.5 \times 1.2 \times \Phi 15$	1
27	101029-1189	BOLT, M8 \times 10	1
28	101029-1354	BAFFLE	1
29	101029-1520	BOLT, M6 \times 10	1

RIGHT CRANKCASE



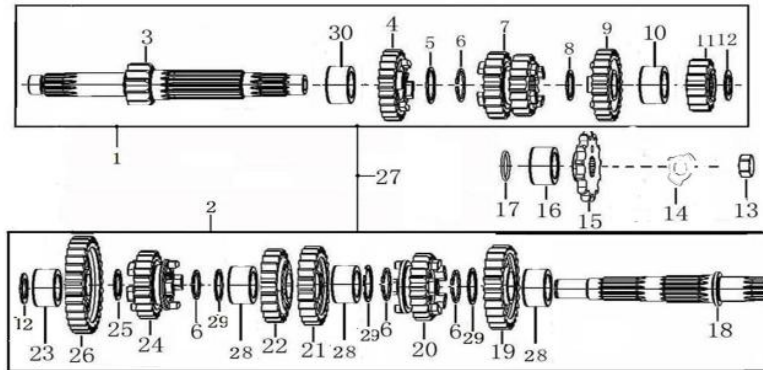
No.	Code	Name	Qty.
1	101029-1520	BOLT, M6×10	2
2	101029-1187	BOLT	2
3	101029-1474	WASHER, Φ10.5×2×Φ20	2
4	101029-1352	BEARING, (61805)	1
5	101029-1183	BEARING, (6203JR2C3)	1
6	101029-1356	BEARING, (6304)	1
7	101029-1190	BEARING, (6207JR2LUC3)	1
8	101029-1185	BEARING, (CSB204_JR2C3)	1
9	101029-1191	ASSM.RIGHT CRANKCASE	1
10	101029-1349	STRAINER OIL FILTER	1
11	101029-1348	O-RING, Φ17.5×1.8	1
12	101029-1347	COVER OIL FILTER SCREEN	1
13	101029-1360	BOLT RETURN SPRINGN FIXING	1
14	101029-1351	BEARING, 61902	1
15	101029-1192	OIL FILTER	1
16	101029-1362	O-RING, Φ30×2.6	1
17	101029-1363	CAP OIL FILTER	1
18	101025-0048	BOLT, M6×16	2
19	101029-1483	DOWEL PIN, Φ13×14	2
20	101029-1193	OIL SEAL 20×35×5	1
21	101029-1364	DOWEL PIN, Φ8×12×Φ6.3	1
22	101029-1194	O-RING, Φ6.5×1.9	1
23	101029-1365	BAFFLE	2

CRANKSHAFT CONNECTING-ROD ASSY/PISTON



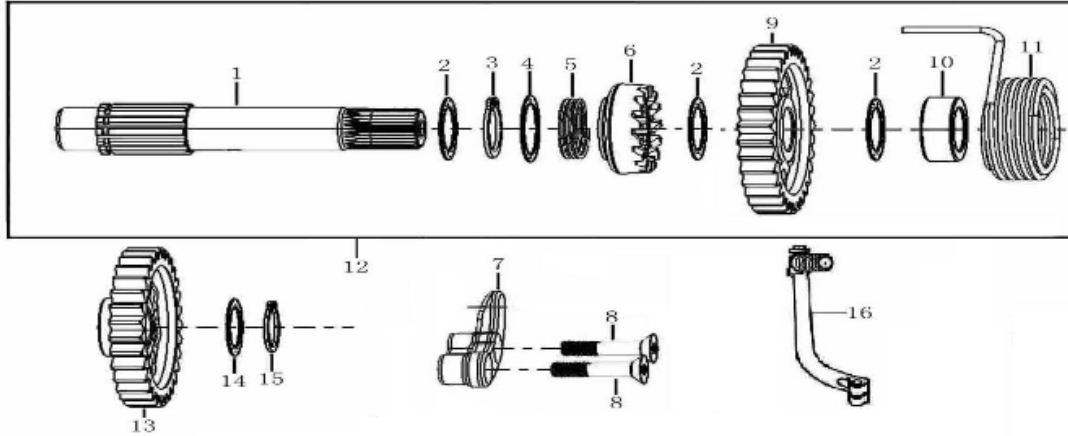
No.	Code	Name	Qty.
1		PISTON RING, 1	1
2		PISTON RING, 2	1
3		OIL RING, ASSY	1
4	101029-1198	PISTON RING, COMP	1
5	101029-1366	CHECK RING PISTON PIN	2
6	101029-1199	PISTON	1
7	101029-1200	PIN, PISTON	1
8	101029-1201	NUT	1
9	101029-1202	WASHER, $\Phi 20 \times 2.5 \times \Phi 25$	1
10	101029-1203	HUB DUMP CHAIN SPROCKET	1
11	101029-1204	DRIVING GEAR	1
12	101029-1367	SEMICIRCULAR KEY	1
13	101029-1368	TABULATE KEY	1
14	101029-1205	CRANKSHAFT CONNECTING-ROD ASSY	1
15	101029-1206	WASHER, $\Phi 23 \times 1 \times \Phi 40$	1
16	101029-1207	PLATE GEAR ASSY	1
17	101029-1208	ASSEMBLY OVERRUNNING CLUTCH	1
18	101029-1209	PRIMARY DRIVE GEAR	1
19	101029-1369	STOP WASHER	1
20	101029-1370	NUT M18	1
21	101029-1371	LOCK NUT, CLUTCH	1
22	101029-1372	DISH WASHER, CLUTCH	1
23	101029-1210	DRIVEN GEAR ASS.	1
24	101029-1211	CRANKSHAFT TUBE	1
25	101029-1212	TABULATE KEY	1
26	101029-1213	BALANCE SHAFT	1
27	101029-1373	NEEDLE BEARING, (K29 \times 33 \times 20)	1

TRANSMISSION MAIN, COUNTER SHAFT



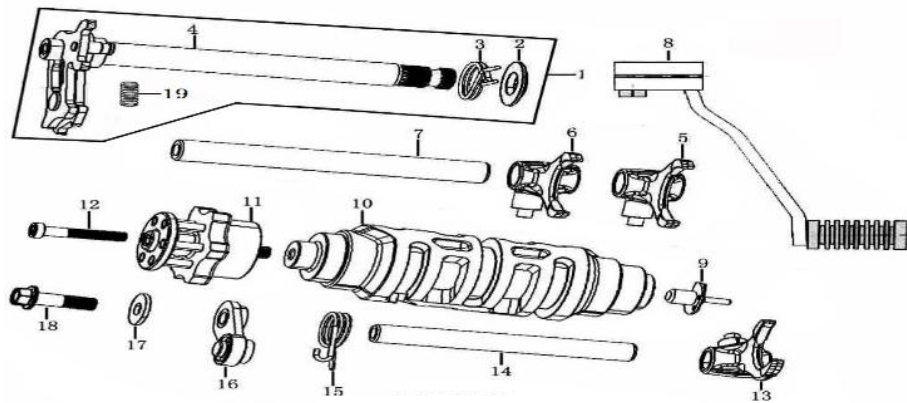
No.	Code	Name	Qty.
1	101029-1214	MAIN SHAFT TRANSMISSION	1
2	101029-1215	COUNTERSHAFT TRANSMISSION	1
3	101029-1216	TRANSMISSION MAIN SHAFT	1
4	101029-1217	GEAR M-5	1
5	101029-1218	WASHER, $\Phi 25.2 \times 1 \times \Phi 33$	1
6	101029-1449	CIRCLIP	4
7	101029-1219	GEAR M-3、4	1
8	101029-1220	WASHER, $\Phi 20.2 \times 1 \times \Phi 28$	1
9	101029-1221	GEAR M-6	1
10	101029-1436	NEEDLE BEARING, (K20 \times 24 \times 10)	1
11	101029-1222	GEAR M-2	1
12	101029-1223	WASHER, $\Phi 17.1 \times 1 \times \Phi 26$	2
13	101029-1374	NUT	1
14	101029-1224	STOP WASHER	1
15	101029-1225	DRIVE SPROCKET	1
16	101029-1226	BUSH	1
17	101029-1227	O-RING, $\Phi 21 \times 2$	1
18	101029-1228	TRANSMISSION COUNTER SHAFT	1
19	101029-1229	GEAR C-2	1
20	101029-1230	GEAR C-6	1
21	101029-1231	GEAR C-3	1
22	101029-1232	GEAR C-4	1
23	101029-1233	METAL BUSH	1
24	101029-1234	GEAR C-5	1
25	101029-1235	WASHER, $\Phi 19 \times 1 \times \Phi 26$	1
26	101029-1236	GEAR C-1	1
27	101029-1237	TRANSMISSION MAIN, COUNTER SHAFT	1
28	101029-1238	NEEDLE BEARING, (KS22 \times 26 \times 10TN)	3
29	101029-1239	WASHER	3
30	101029-1240	NEEDLE BEARING, (K25 \times 29 \times 10)	1

KICK STARTING SHAFT ASSEMBLY



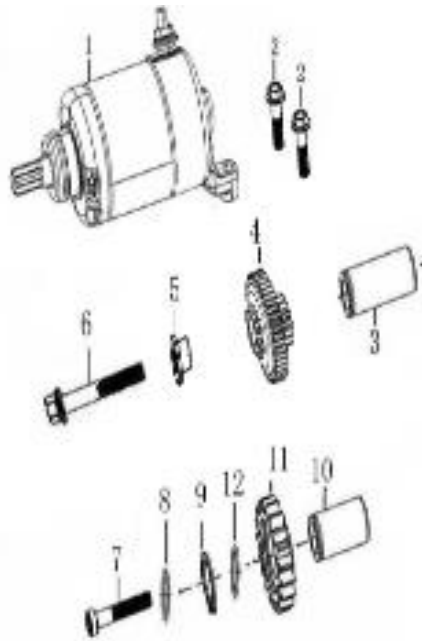
No.	Code	Name	Qty.
1	101029-1468	PIVOT KICK STARTING SHAFT	1
2	101029-1477	WASHER, $\Phi 18.5 \times 0.5 \times \Phi 26$	3
3	101029-1418	RETAINING RING, 21	1
4	101029-1478	WASHER, $\Phi 21.7 \times 0.5 \times \Phi 29.5$	1
5	101029-1375	SPRING, KICK STARTING RATCHET WHEEL	1
6	101029-1376	STARTING RATCHET	1
7	101029-1377	GUIDE PLATE	1
8	101029-1556	SCREW, M6 \times 25	2
9	101029-1241	GEAR KICK STARTER	1
10	101029-1378	SEAT SPRING, KICK STARTING SHAFT	1
11	101029-1242	RETURN SPRING, KICK STARTING SHAFT	1
12	101029-1243	KICK STARTING SHAFT ASSEMBLY	1
13	101029-1244	GEAR	1
14	101029-1245	WASHER, $\Phi 17.1 \times 0.5 \times \Phi 26$	1
15	101029-1246	RETAINING RING, 17	1
16	101029-1379	START-UP BAR COMP	1
17	101029-1553	WASHER, $\Phi 8.5 \times 3 \times \Phi 23$	1
18	101029-1555	BOLT, M8 \times 20	1

GEARSHIFT MECHANISM



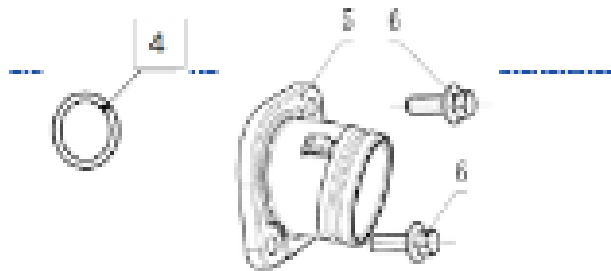
No.	Code	Name	Qty.
1	101029-1380	GEARSHIFT LEVER COMP	1
2	101029-1381	AXLE SLEEVE	1
3	101029-1382	RETURN SPRING	1
4	101029-1506	GEARSHIFT SHAFT COMP	1
5	101029-1247	RIGHT FORK COUNTERSHAFT	1
6	101029-1248	LEFT FORK COUNTERSHAFT	1
7	101029-1249	GUIDE PIN, SELECTOR FORK CENTER	1
8		GEARSHIFT SHAFT	1
9	101029-1383	CONTACT GEAR INDICATION	1
10	101029-1250	GEARSHIFT DRUM COMP	1
11	101029-1384	STOPPING PLATE	1
12	101029-1251	BOLT, M6×35	1
13	101029-1252	CENTER FORK MAINSHAFT	1
14	101029-1385	SHAFT GEARSHIFT FORK	1
15	101029-1386	SPRING, LOCATING PLATE	1
16	101029-1387	LOCATING PLATE ASSY	1
17	101029-1472	WASHER, Φ6.5×1.5×Φ18	1
18	101029-0880	BOLT, M6×20	1
19	101029-1388	SPRING, GEARSHIFT PLATE	1

ELECTRIC STARTING MECHANISM



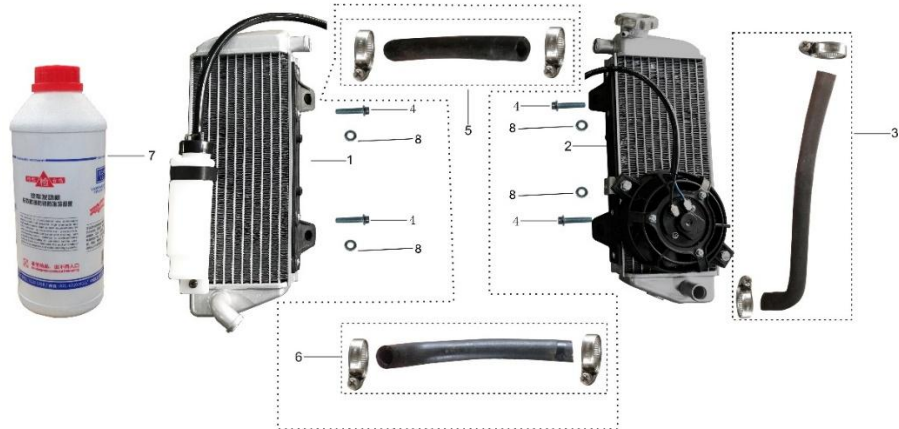
No.	Code	Name	Qty.
1	101029-1256	STARTING MOTOR ASSY	1
2	101029-0890	BOLT, M6×25	2
3	101029-1257	SHAFT REDUCTION	1
4	101029-1258	GEAR REDUCTION 1	1
5	101029-1259	DUPLEX GEAR	1
6	101029-1260	BOLT, M6×50	1
7	101029-1261	BOLT, M6×40	1
8	101029-1044	WASHER, Φ6	1
9	101029-1417	RETAINING RING, 15	1
10	101029-1262	SHAFT REDUCTION	1
11	101029-1263	GEAR REDUCTION	1
12	101029-1264	WASHER, Φ15.2×0.5×Φ23	1

ELECTRIC



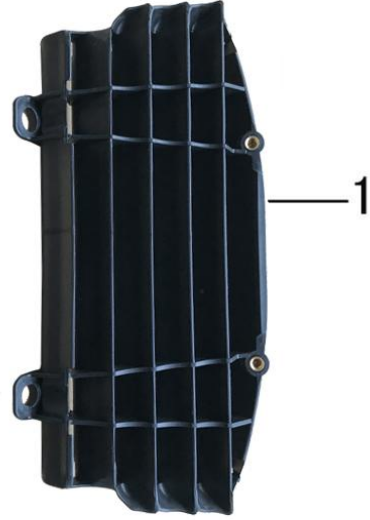
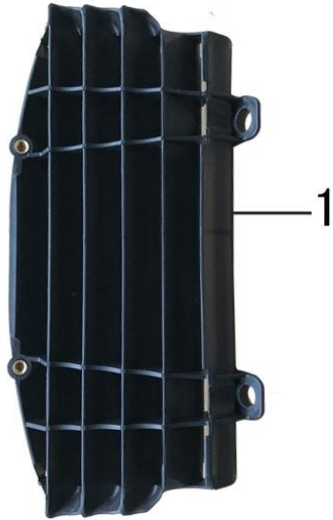
No.	Code	Name	Qty.
1	100141266-0001	IGNITION COIL	1
2	100204369	C.D.I	1
3	100205377	RELAY	1
4	100107772	O-RING, $\Phi 38 \times 3$	1
5	100201085	INLET PIPE	1
6	100055589-0006	BOLT, M6 \times 16	2

Water Tank Assy



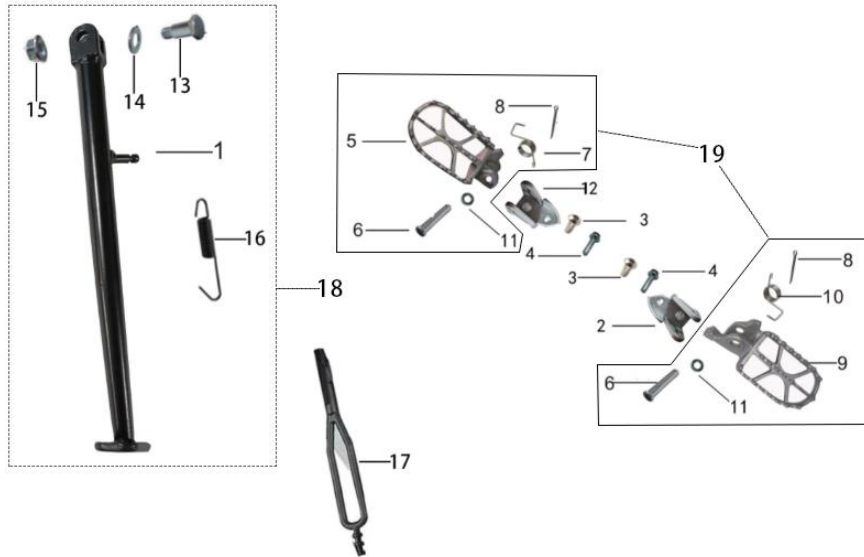
No.	Code	Name	Qty.
1	104001-0010	LEFT WATER COOLER	1
2	104001-0011	RIGHT WATER COOLER	1
3	104002-0014	INLET PIPE	1
4	903020-0024	SCREW- M6*25	4
5	104002-0016	CONNECTION PIPE	1
6	104002-0015	OUTLET PIPE	1
7	104001-0006	ANTIFREEZE LIQUID	1
8	103003-0001	OIL COOLANT BUSH	4

Water Tank Shroud Assy



No.	Code	Name	Qty.
1	801011-0022	WATER COOLER PROTECTOR	2

Single Brace and Foot Assy



No.	Code	Name	Qty.
1	554000-0037	SIDE STAND	1
2	506004-0008	RIGHT FOOTPEG PERCH	1
3	903015-0005	SCREW M8*16	2
3	903015-0005-02	SCREW M8*16	2
4	903019-0027	FLANGE BOLT-M8*20	2
4	903019-0027-02	FLANGE BOLT-M12*20*1.25	2
5	506003-0020	LEFT FOOTPEG	1
6	904001-0005	HINGE PIN	2
7	407001-0010	LEFT PEDAL SPRING	1
7	407001-0010-02	LEFT PEDAL SPRING	1
8	904002-0002	COTTER PIN	2
8	904002-0002-03	COTTER PIN	2
9	506003-0021	RIGHT FOOTPEG	1
10	407001-0011	RIGHT FOOTPEG SPRING	1
10	407001-0011-02	RIGHT FOOTPEG SPRING	1
11	903002-0007	FLAT WASHER-Φ10*16*1.5	2
11	903002-0007-02	FLAT WASHER-Φ10*16*1.5	2
12	506004-0007	LEFT PEDAL SEAT	1
12	506004-0007-02	LEFT PEDAL SEAT	1
13	903020-0002	BOLT-M10*35*1.5	1
13	903020-0002-03	BOLT-M10*35*1.5	1
14	903002-0011	FLAT WASHER-Φ10*16*1.5	1
14	903002-0011-02	FLAT WASHER-Φ10*16*1.5	1

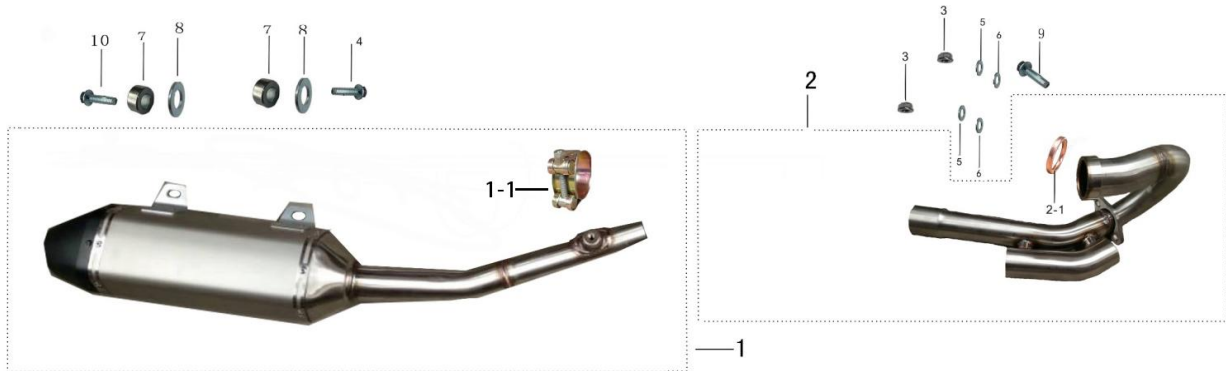
15	903007-0007	BOLT-M10*1.5	1
15	903007-0007-03	BOLT-M10*1.5	1
16	407002-0001	SIDESTAND SPRING	1
17	908007-0049	SIDESTAND FIXING STRAP	1
17	908007-0076	SIDESTAND FIXING STRAP	1
18	C90002-0046	STRAIGHT SIDE STAND ASSEMBLY	1
19	C90002-0001-02	LEFT AND RIGHT FOOTPEG ASSEMBLY	1

Carburetor and Air Filter Assy



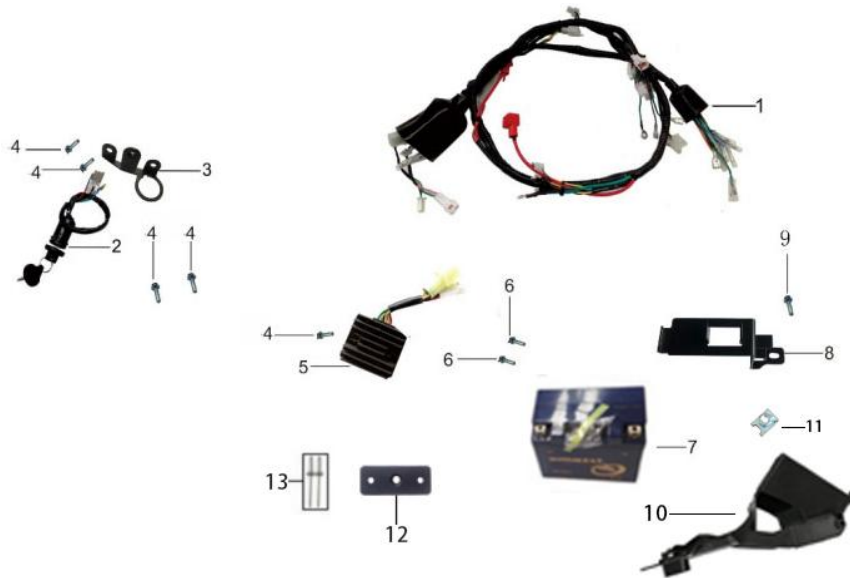
No.	Code	Name	Qty.
1	102000-0029	CARBURETOR	1
1	105003-0014	AIR FILTER RUBBER ELBOW	1
2	105003-0024	AIR FILTER RUBBER ELBOW	1
3	906001-0004	HOOP	1
4	105002-0015	AIR FILTER SPONGE	1
4	105002-0017	AIR FILTER SPONGE	1

Muffler Assy



No.	Code	Name	Qty.
1	106002-0027	MUFFLER	1
1	106002-0044	MUFFLER	1
1-1	906001-0003	HOOP	1
2	106001-0074	MUFFLER PIPE	1
2	106001-0116	MUFFLER PIPE	1
2-1	106003-0001	SEAL GASKET	1
3	903007-0005	FLANGE LOCK NUT-M8	2
4	903019-0013	FLANGE BOLT-M8*20	1
4	903019-0013-03	FLANGE BOLT-M8*20	1
5	903001-0004	SPRING WASHER-Φ8*13*2	2
5	903001-0003-02	SPRING WASHER-Φ8*13*2	2
6	903002-0004	FLAT WASHER-Φ8*16*1.5	2
6	903002-0004-03	FLAT WASHER-Φ8*16*1.5	2
7	902001-0009	FLAT BUSH-Φ8*20*H14	2
8	903002-0006	FLAT WASHER-Φ8.5*24*1.5	2
9	404011-0001	BOLT-M8*16*1.25	1
10	903018-0013	BOLT-M8*45	1
10	903018-0013-03	BOLT-M8*45	1

Electronic Assy



No.	Code	Name	Qty.
1	309001-0126	MAIN CABLE	1
2	314001-0012	ELECTRIC LOCK	1
2	314001-0012-03	ELECTRIC LOCK	1
3	315014-0002	ELECTRIC LOCK BRACKET	1
4	903018-0005	BOLT-M6*20	5
4	903018-0005-03	BOLT-M6*20	5
5	302001-0008	REGULATOR	1
5	302001-0014	REGULATOR	1
6	903020-0024	SCREW-M6*25	2
7	312001-0026	LITHIUM BATTERY	1
7	312001-0007	LITHIUM BATTERY	1
7	312001-0027	BATTERY	1
7	312001-0027-02	BATTERY	1
8	315012-0014	BATTERY FIXING BRACKET	1
8	315012-0034	BATTERY FIXING BRACKET	1
8	315012-0039	BATTERY HOLDER	1
8	315012-0039-02	BATTERY HOLDER	1
9	903020-0023	SCREW-M6*16	1
10	908007-0033	BATTERY BOX	1
10	908007-0033-02	BATTERY BOX	1
11	903008-0020	CLIP NUT-M6 22*14*1.0	1
12	315012-0033	BATTERY FASTENER	1
13	905001-0003	RIVET	2

Fuel Tank Assy



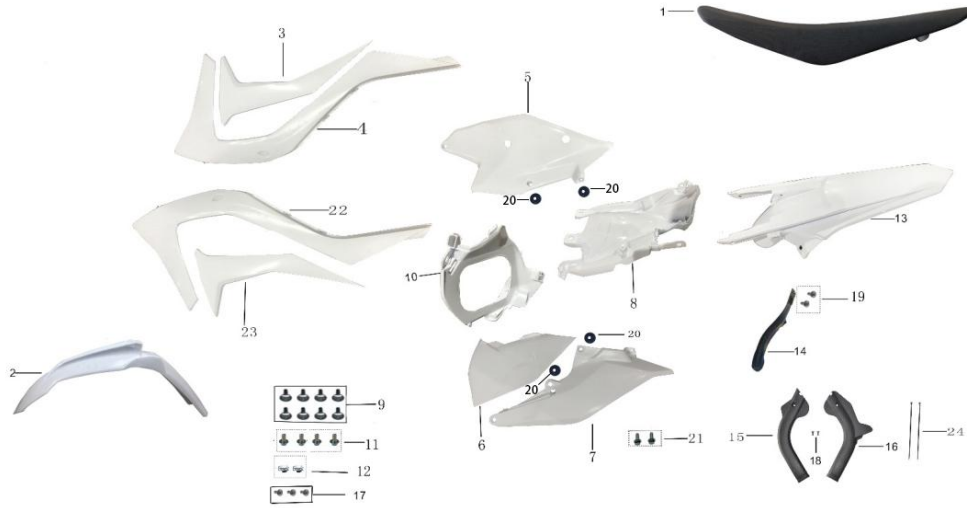
No.	Code	Name	Qty.
1	805001-0022	FUEL TANK ASSY.	1
1	805001-0022-02	FUEL TANK ASSY.	1
1-1	805003-0015	FUEL TANK CAP	1
2	903018-0004	FLANGE BOLT-M6*16	1
2	903018-0004-03	FLANGE BOLT-M6*16	1
3	903002-0002	FLAT WASHER-Φ6*18*1.5	1
3	903002-0002-03	FLAT WASHER-Φ6*18*1.5	1
4	903012-0003	SCREW-TM5*16	1
4	903012-0003-03	SCREW-TM5*16	1
5	805004-0021	FUEL TANK SWITCH	1
6	903020-0022	SCREW-M5*10	2
7	906002-0002	TUBE CLIP	2
8	906002-0001	TUBE CLIP	2
9	108001-0001	FUEL FILTER	1

Lamp Assy



No.	Code	Name	Qty.
1	308001-0026	FRONT LIGHT ASSY.	1
2	315008-0020	FRONT LIGHT UPPER BRACKET	2
3	908007-0010	RUBBER RING	2
4	903018-0004	FLANGE BOLT-M6*16	2
4	903018-0004-03	FLANGE BOLT-M6*16	2
5	903002-0002	FLAT WASHER-Φ6*18*1.5	2
5	903002-0002-03	FLAT WASHER-Φ6*18*1.5	2
6	903007-0003	FLANGE LOCK NUT-M6	2
7	315008-0012-02	PLASTIC REAR LIGHT	1
8	903012-0004	SCREW-TM5*20	3
8	903012-0004-03	SCREW-TM5*20	2
9	903007-0001	FLANGE LOCK NUT-M5	3
9	903007-0001-03	FLANGE LOCK NUT-M5	3
10	308006-0008	REFLECTOR	2
11	903002-0002	FLAT WASHER-Φ6*18*1.5	2
11	903002-0002-03	FLAT WASHER-Φ6*18*1.5	2
12	903006-0002	NUT-M6	2
12	903006-0002-03	NUT-M6	2
13	903012-0005-03	CROSS RECESSED PAN HEAD MACHINE SCREW	1

Plastic Parts Assy



No.	Code	Name	Qty.
1	701000-0038	SEAT	1
1	701000-0038-02	SEAT	1
2	801013-0005	FRONT MUD FENDER	1
3	801011-0027	FRONT RIGHT COVER(DOWN)	1
3	801011-0027-03	FRONT RIGHT COVER(DOWN)	1
4	801011-0026	FRONT RIGHT COVER(UP)	1
4	801011-0026-03	FRONT RIGHT COVER(UP)	1
5	801011-0032	REAR RIGHT COVER	1
5	801011-0032-03	REAR RIGHT COVER	1
6	801011-0030	AIR FILTER LEFT UPPER COVER	1
6	801011-0030-03	AIR FILTER LEFT UPPER COVER	1
7	801011-0031	AIR FILTER LEFT LOWER COVER	1
7	801011-0031-03	AIR FILTER LEFT LOWER COVER	1
8	801011-0029	AIR FILTER LOWER COVER PLATE	1
8	801011-0029-03	AIR FILTER LOWER COVER PLATE	1
9	903012-0011	SCREW-TM6*10	8
9	903012-0011-03	SCREW-TM6*10	8
10	801011-0028	AIR FILTER FRONT COVER PLATE	1
10	801011-0028-03	AIR FILTER FRONT COVER PLATE	1
11	903020-0023	SCREW-M6*16	4
12	903006-0002	NUT-M6	2
12	903006-0002-03	NUT-M6	2
13	801011-0033	REAR MUD FENDER	1
13	801011-0033-03	REAR MUD FENDER	1
14	801011-0034	SMALL MUD FENDRE	1
15	908007-0042	FRAME LEFT COVER	1
15	908007-0042-02	FRAME LEFT COVER	1

No.	Code	Name	Qty.
16	908007-0043	FRAME RIGHT COVER	1
16	908007-0043-02	FRAME RIGHT COVER	1
17	903010-0006	SCREW-ST4.8*12	3
17	903010-0006-03	SCREW-ST4.8*12	3
18	903009-0010	SCEW-M6*12	2
18	903009-0010-03	SCEW-M6*12	2
19	903010-0009	SCREW-ST6.3*16	2
19	903010-0009-02	SCREW-ST6.3*16	2
20	908007-0034	CLIP	4
21	903012-0009	SCREW-TM6*25	2
21	903012-0009-02	SCREW-TM6*25	2
22	801011-0024	FRONT LEFT COVER(UP)	1
22	801011-0024-03	FRONT LEFT COVER(UP)	1
23	801011-0025	FRONT LEFT COVER(DOWN)	1
23	801011-0025-03	FRONT LEFT COVER(DOWN)	1
24	906003-0002	PLASTIC BELT	2
	C90002-0062	PLASTIC PARTS ASSEMBLY	1

Sticker



No.	Code	Name	Qty.
1	802011-0050	STICKER	1
1	802011-0050-03	STICKER	1
2	802011-0051	FRONT FORK STICKER	1
2	802011-0051-02	FRONT FORK STICKER	1
3	802011-0052	SHEATH BUSH	1