

K5 Parts Catalog

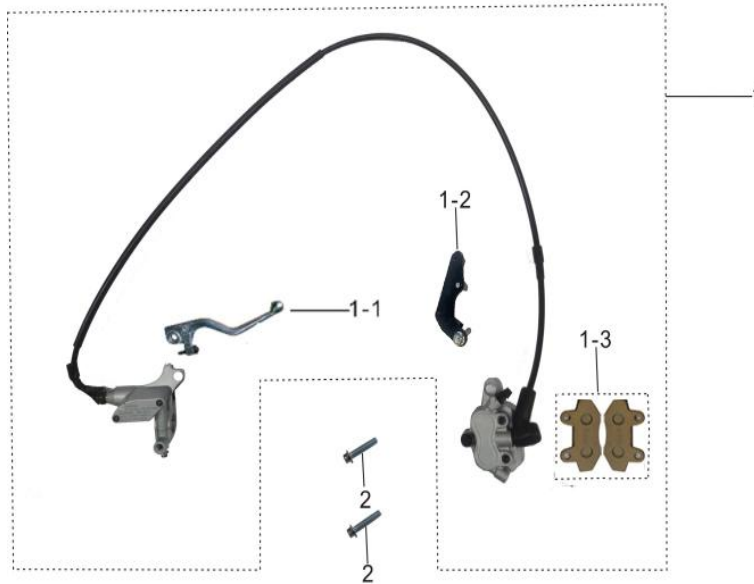


Handlebar Assy



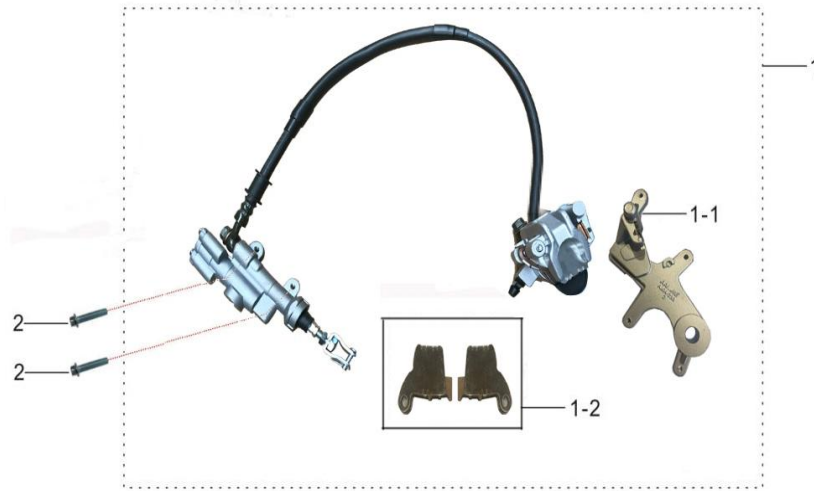
No.	Code	Name	Qty.
1	602002-0025	ALUMINIUM HANDLEBAR	1
1	602002-0025-03	ALUMINIUM HANDLEBAR	1
2	602017-0005	BAR GRIP PAD	1
3	602007-0019-02	CLUTCH LEVER ASSY.	1
3	602007-0019-04	CLUTCH LEVER ASSY.	1
4	602013-0022	CLUTCH CABLE	1
5	602006-0018	LEFT GRIP	1
6	313002-0005	START SWITCH (WATER-PROOF)	1
7	313003-0013	STOP SWITCH(WATER-PROOF)	1
8	602011-0009	THROTTLE PERCH	1
9	602006-0019	RIGHT GRIP	1
10	602014-0025-02	THROTTLE CABLE	1
11	906003-0002	PLASTIC BELT	2

Front Brake Assy



No.	Code	Name	Qty.
1	404000-0175	FRONT DISC BRAKE ASSY	1
1-1	404002-0024	FRONT BRAKE LEVER	1
1-2	404008-0018	FRONT BRAKE BRACKET	1
1-3	404007-0019	FRONT BRAKE PAD	1
2	903018-0012	BOLT-M8*40	2
2	903018-0012-03	BOLT-M8*40	2

Rear Brake Assy



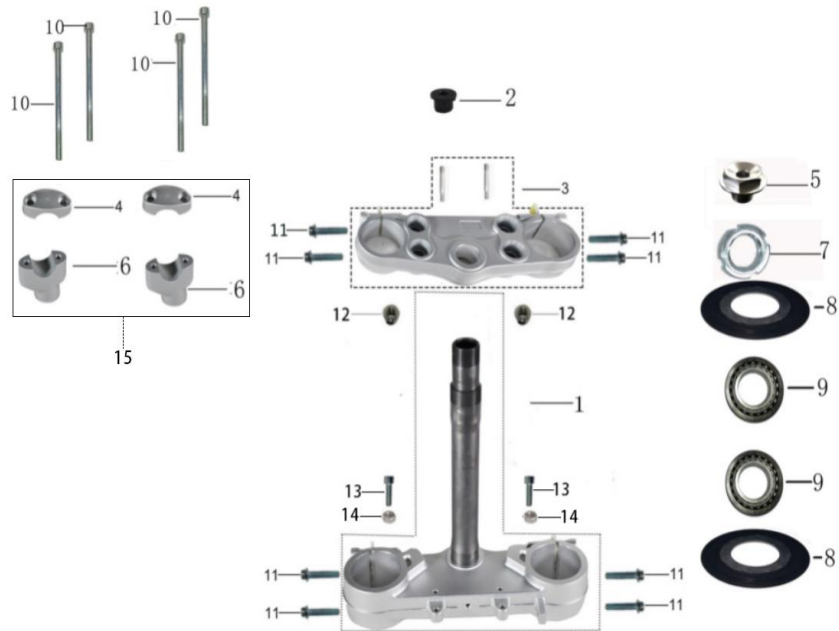
No.	Code	Name	Qty.
1	405000-0119	REAR DISC BRAKE ASSY	1
1-1	405009-0026	REAR BRACKET	1
1-2	405008-0015	REAR BRAKE PAD	1
2	903020-0034	BOLT-M6*20	2
2	903020-0034-02	BOLT-M6*20	2

Front Shock Assy



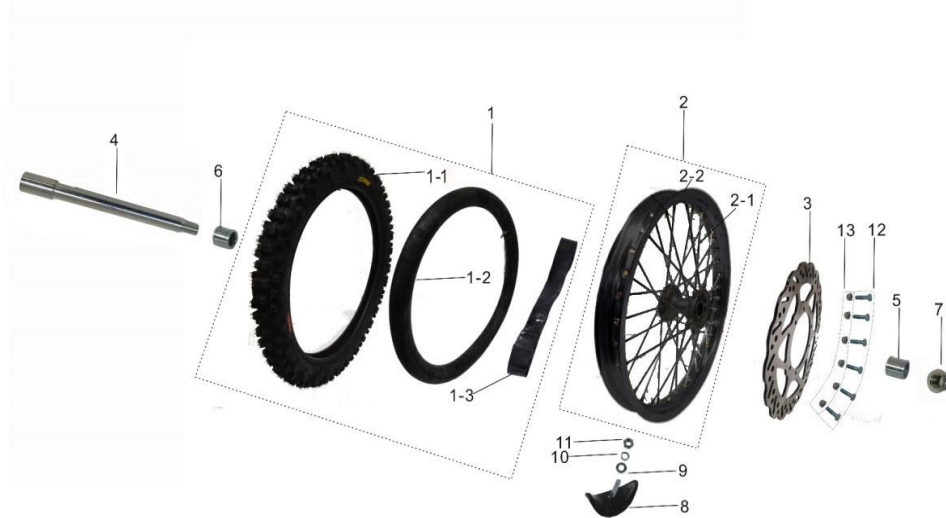
No.	Code	Name	Qty.
1	501000-0104	FRONT RIGHT FORK	1
1-1	501001-0016	FRONT RIGHT FORK COVER	1
1-2	903015-0007	BOLT-M6*12	6
2	501000-0103	FRONT LEFT FORK	1
2-1	501001-0015	FRONT LEFT FORK COVER	1

Coupling plate Assy



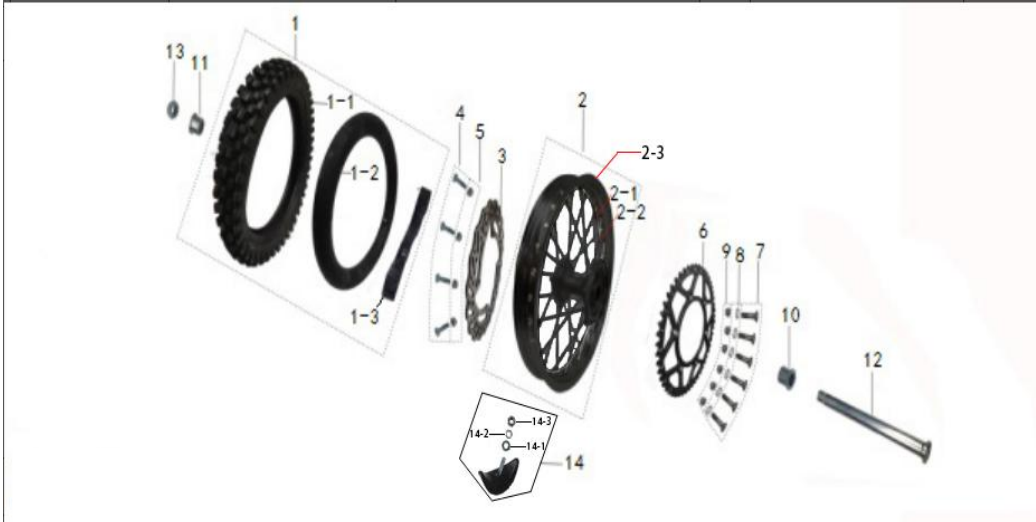
No.	Code	Name	Qty.
1	601002-0030	LOWER CLAMP	1
2	908004-0004	STEERING COLUMN PLUG	1
3	601001-0027	UPPER CLAMP	1
4	601003-0020	UPPER RAISERS	2
5	601005-0002	NUT-M26*1	1
6	601004-0025	LOWER RAISERS	2
7	601005-0021	LOCKNUT-M30*1*H10	1
8	601005-0010	DUST SEAL	2
9	907002-0008	BEARING	2
10	903013-0021	SCREW-M8*30	4
10	903013-0021-03	SCREW-M8*30	4
11	903018-0012	FLANGE BOLT-M8*40	8
11	903018-0012-03	FLANGE BOLT-M8*40	8
12	903007-0006	NUT-M10*1.25	2
12	903007-0006-02	NUT-M10*1.25	2
13	903013-0020	BOLT-M8*25	2
13	903013-0020-05	BOLT-M8*25	2
14	903005-0006	NUT-M8	2
14	903005-0006-02	NUT-M8	2
15	C90002-0033	UPPER AND LOWER CLAMPING BLOCK ASSEMBLY	2

Front Wheel Assy



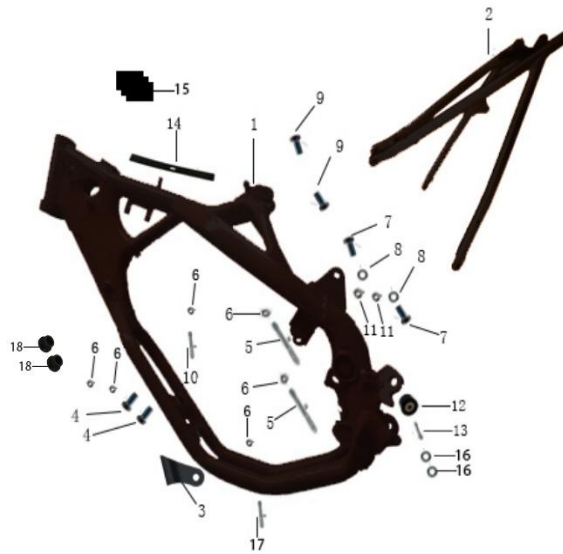
No.	Code	Name	Qty.
1	401005-0013	FRONT TIRE ASSY-OFF ROAD	1
1-1	401006-0011	OUTER TIRE	1
1-2	401007-0006	INNER TUBE	1
1-3	401008-0007	LINING BELT	1
2	401000-0075-03	FRONT RIM	1
2-1	401004-0013-02	SPOKE ASSY.	36
2-2	401001-0009-03	ALUMINIUM RIM	1
3	404001-0012	FRONT BRAKE DISC	1
4	901003-0001	FRONT WHEEL AXLE	1
5	902003-0001	FRONT LEFT CONCAVE BUSH	1
6	902003-0003	FRONT RIGHT CONCAVE BUSH	1
7	903007-0010	FLANGE LOCKNUT-M16*1.5	1
7	903007-0010-02	FLANGE LOCKNUT-M16*1.5	1
8	401010-0004	RIM LOCK	1
9	903002-0004	FLAT WASHER-Φ8*16*1.5	1
9	903002-0004-03	FLAT WASHER-Φ8*16*1.5	1
10	903001-0004	SPRING WASHER-Φ8*13*2	1
10	903001-0003-02	SPRING WASHER-Φ8*13*2	1
11	903005-0006	NUT-M8	1
11	903005-0006-02	NUT-M8	1
12	903017-0001	BOLT-M6*20	6
12	903017-0001-02	BOLT-M6*20	6
13	903007-0003	FLANGE LOCKNUT M6	6
	C90002-0122	FRONT WHEEL ASSY	1

Rear Wheel Assy



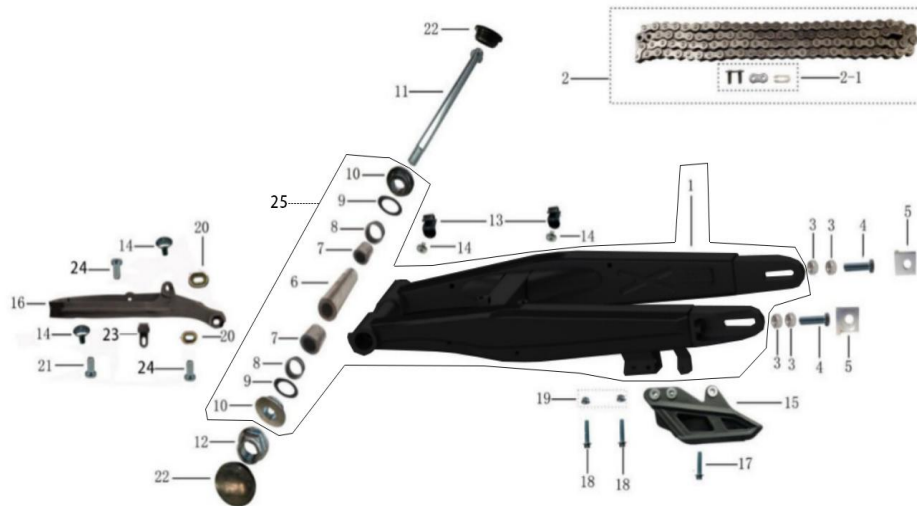
No.	Code	Name	Qty.
1	402005-0023	FRONT TIRE ASSY.-OFF ROAD	1
1-1	402006-0037	REAR TYRE	1
1-2	402007-0005	INNER TUBE	1
1-3	401008-0005	LINING BELT	1
2	402000-0095-03	REAR RIM	1
2-1	402004-0012-02	SPOKE ASSY.	16
2-2	402004-0013-02	SPOKE ASSY.	16
2-3	402001-0016	ALUMINIUM RIM	1
3	405001-0006	REAR BRAKE DISC	1
4	903017-0001	BOLT-M6*20	4
5	903007-0003	FLANGE LOCKNUT-M6	4
6	205001-0027	STEEL REAR SPROCKET	1
7	903014-0003	BOLT-M8*31	6
8	903002-0004	FLAT WASHER- $\Phi 8 \times 16 \times 1.5$	6
8	903002-0004-03	FLAT WASHER- $\Phi 8 \times 16 \times 1.5$	6
9	903008-0007	FLANGE LOCKNUT-M8	6
9	903008-0007-02	FLANGE LOCKNUT-M8	6
10	902002-0061	REAR LEFT STEP BUSH	1
11	902002-0062	REAR RIGHT STEP BUSH	1
12	901001-0047-02	FLANGE AXLE	1
13	903007-0009	FLANGE LOCKNUT-M14*1.5	1
13	903007-0009-02	FLANGE LOCKNUT-M14*1.5	1
14	401010-0005	RIM LOCK	1
14-1	903002-0004	FLAT WASHER- $\Phi 8 \times 16 \times 1.5$	1
14-2	903001-0004	SPRING WASHER- $\Phi 8 \times 13 \times 2$	1
14-3	903005-0007	NUT-M8	1
	C90002-0123	REAR WHEEL ASSY	1

Frame Assy



No.	Code	Name	Qty.
1	551000-0136-01	FRAME ASSY	1
1	551000-0147-01	FRAME ASSY	1
2	552000-0035-02	SUB-FRAME ASSY	1
3	555000-0185-02	ENGINE FRONT FASTENER	1
4	903018-0016	BOLT-M8*60	2
5	903017-0017	BOLT-M10*110*1.25	2
6	903007-0005	FLANGE LOCKNUT-M8	6
7	404011-0005	BOLT-M8*25*1.25	2
8	903002-0008	FLAT WASHER-Φ10*20*2	2
8	903002-0008-03	FLAT WASHER-Φ10*20*2	2
9	903019-0013	BOLT-M8*20	2
9	903019-0013-03	BOLT-M8*20	2
10	903018-0020	FLANGE BOLT-M8*90	1
10	903018-0020-02	FLANGE BOLT-M8*90	1
11	903007-0006	FLANGE LOCKNUT-M10*1.25	2
11	903007-0006-02	FLANGE LOCKNUT-M10*1.25	2
12	203004-0016	CHAIN ROLLER	1
13	903013-0022	SCREW-M8*35	1
13	903013-0024	SCREW-M8*40	1
14	908003-0009	RUBBER WASHER	1
15	909010-0033	EVA	3
16	903002-0004	FLAT WASHER-Φ8*16*1.5	2
16	903002-0004-03	FLAT WASHER-Φ8*16*1.5	2
17	903018-0025	BOLT-M8*115	1
18	902002-0078	STEP BUSHING	2

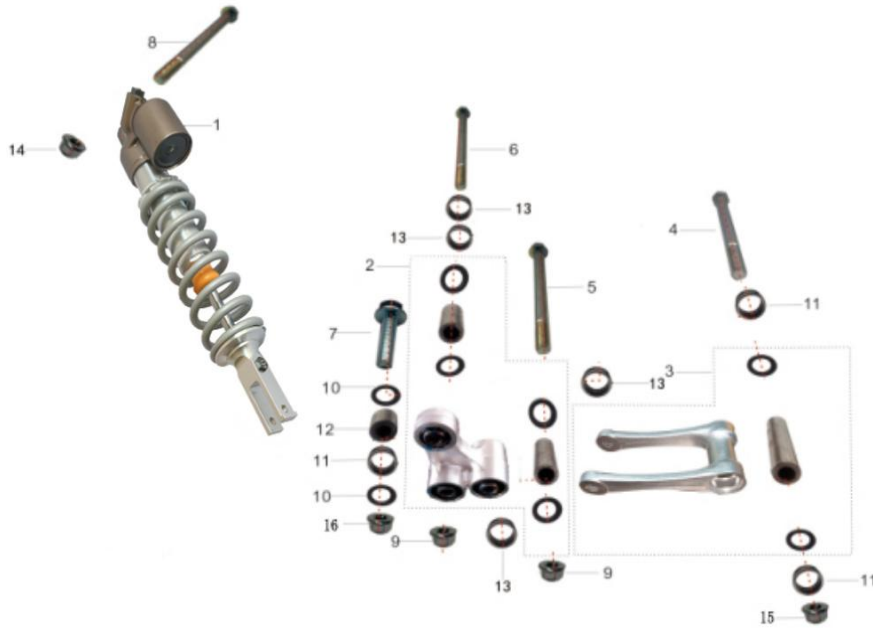
Flat Fork Assy



No.	Code	Name	Qty.
1	553000-0074-02	SWING ARM	1
2	203000-0098	CHAIN	1
2-1	203001-0006	CHAIN CLIP	1
3	903005-0006	NUT-M8	4
3	903005-0006-02	NUT-M8	4
4	903017-0010	BOLT-M8*70	2
4	903017-0010-03	BOLT-M8*70	2
5	203002-0001-06	ALLOY CHAIN ADJUSTER	2
6	902001-0082	BUSH-Φ18*22*H125	1
7	902001-0106	BUSH-Φ17.5*22*H30	2
8	907002-0005	BEARING	2
9	908005-0004	O RING-Φ28*3.1	2
10	902002-0040	BUSH-Φ17*40*H12.5	2
11	901001-0039	FLANGE AXLE	1
12	903007-0011	FLANGE LOCKNUT-M16*1.5	1
12	903007-0011-02	FLANGE LOCKNUT-M16*1.5	1
13	405010-0001	OIL PIPE CLIP	2
14	903012-0006	SCREW-TM6*12	4
14	903012-0006-03	SCREW-TM6*12	4
15	203004-0040	CHAIN GUIDE	1
16	203004-0039	CHAIN SLIDER	1
17	903018-0004	FLANGE BOLT-M6*16	1
17	903018-0004-03	FLANGE BOLT-M6*16	1
18	903018-0009	FLANGE BOLT-M6*60	2

18	903018-0009-02	FLANGE BOLT-M6*60	2
19	903007-0003	LOCKING NUT-M6	2
20	903003-0006	WASHER	2
21	903009-0010	SCREW-M6*12	1
21	903009-0010-03	SCREW-M6*12	1
22	908004-0008	SWING ARM PLUG	2
23	555000-0039	FRONT COVER UPPER BRACKET	1
24	903009-0012	BOLT- M6*16	2
24	903009-0012-02	BOLT- M6*16	2
25	C90002-0151	STRAIGHT SWINGARM ASSEMBLY	1

Rear Shock and Rocker Assy



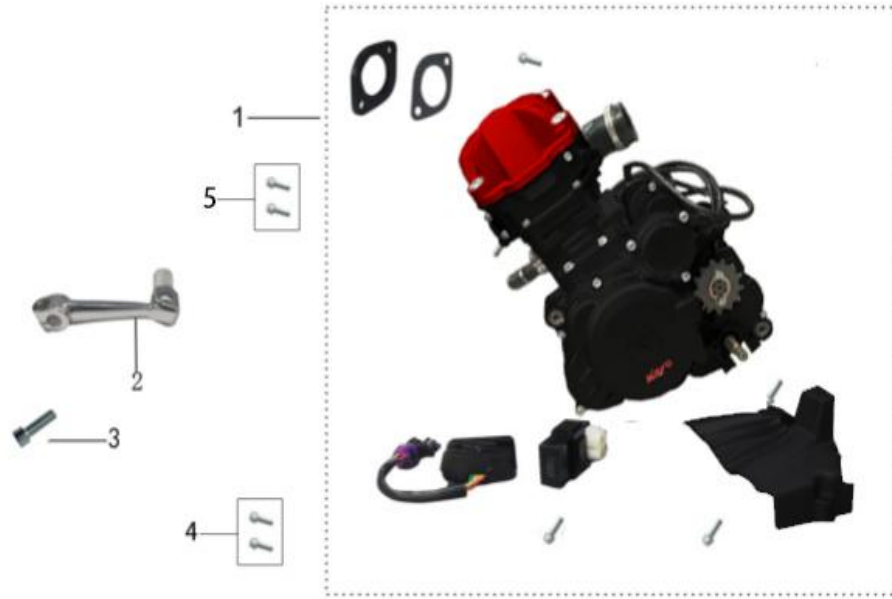
No.	Code	Name	Qty.
1	502000-0076	REAR SHOCK ASSY.	1
2	503000-0002	TRIANGLE ROCKER ARM ASSY.	1
3	504000-0003	U ROCKER ARM ASSY.	1
4	901001-0041	FLANGE AXLE	1
5	903018-0039	FLANGE BOLT- M12*90*1.25	1
5	903018-0039-02	FLANGE BOLT- M12*90*1.25	1
6	901001-0040	FLANGE AXLE	1
7	903020-0013	BOLT-M10*42*1.25+Φ10*28	1
7	903020-0013-02	BOLT-M10*42*1.25+Φ10*28	1
8	903018-0035	FLANGE BOLT-M10*70*1.25	1
8	903018-0035-02	FLANGE BOLT-M10*70*1.25	1
9	903007-0008	FLANGE LOCKNUT-M12*1.25	2
9	903007-0008-02	FLANGE LOCKNUT-M12*1.25	2
10	908001-0003	OIL SEAL	2
11	907002-0010	BEARING	3
12	902001-0115	ROCKER ARM BUSH	1
13	907002-0011	BEARING	4
14	903007-0006	FLANGE LOCKNUT-M10*1.25	1
14	903007-0006-02	FLANGE LOCKNUT-M10*1.25	1
15	903008-0027	LOCKNUT-M12*1.25	1
15	903008-0027-02	LOCKNUT-M12*1.25	1
16	903006-0004	FLANGE NUT-M10*1.25	1
16	903006-0004-02	FLANGE NUT-M10*1.25	1

Brake Pedal Assy



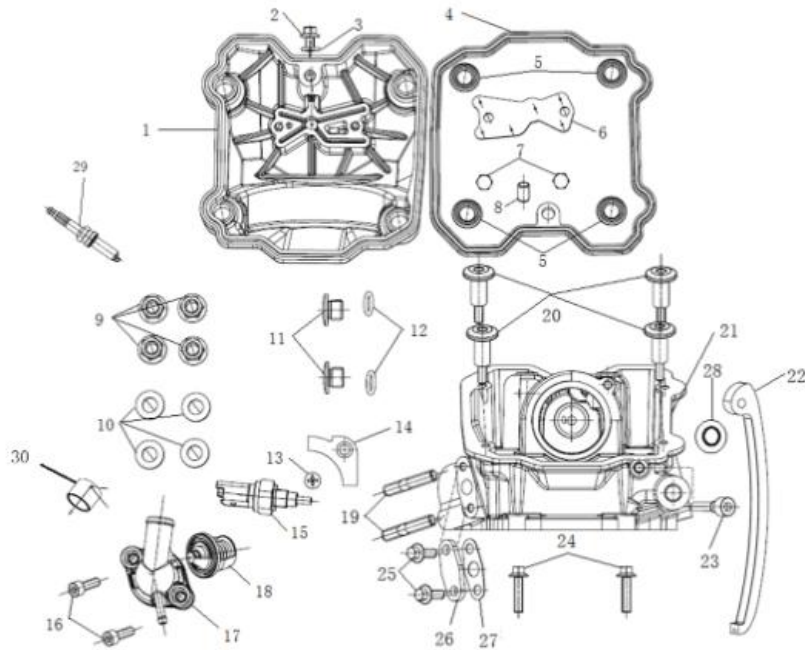
No.	Code	Name	Qty.
1	406001-0012	UP GOING BRAKE PEDAL	1
2	407003-0013	BRAKE PEDAL SPRING	1
3	908005-0001	RUBBER O RING	2
4	406003-0002	BRAKE PEDAL MOUNTING COLUMN	1
5	406002-0002	BRAKE PEDAL HEAD	1
6	903013-0004	SCREW-M6*12	1
6	903013-0004-02	SCREW-M6*12	1
	C90002-0174	BRAKE PEDAL ASSEMBLY	1

Engine Assy



No.	Code	Name	Qty.
1	101000-0640-02	ENGINE	1
2	201002-0024	GEAR SHIFT LEVER	1
3	903013-0008	SCREW-M6*20	1
3	903013-0008-03	SCREW-M6*20	1
4	903018-0005	BOLT-M6*20	2
4	903018-0005-03	BOLT-M6*20	2
5	903018-0003	BOLT-M6*12	2
5	903018-0003-03	BOLT-M6*12	2

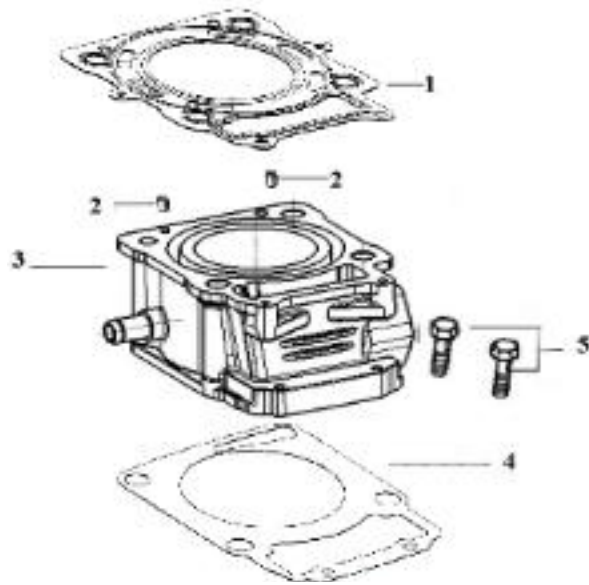
CYLINDER HEAD ASSY



No.	Code	Name	Qty.
1	101045-0036	UPPER COVER CYLINDER HEAD	1
2	101029-1533	BOLT, M6×10	1
3	101038-0731	FLAT WASHER Φ6.2×1.5×Φ13	1
4	101045-0037	SEAL RING, OF UPPER COVER CYLINDER HEAD	1
5	101029-1115	WASHER	4
6	101045-0038	OIL COVER	1
7	101029-1520	BOLT, M6×10	2
8	101029-1364	DOWEL PIN, Φ8×12×Φ6.3	1
9	101045-0020	BOLT	4
10	101029-1474	WASHER, Φ10.5×2×Φ20	4
11	101029-1336	BOLT, M14×1	2
12	101029-1337	O-RING, Φ11.8×2.6	2
13	101045-0019	BOLT, M6×12	1
14	101045-0039	STOP PLATE CAMSHAFT	1
15	101045-0040	THERMOSTAT ASS	1
16	101045-0022	BOLT, M6×18	2
17	101045-0041	THE COVER OF THERMOSTAT	1
18	101045-0042	THERMOSTAT ASS	1
19	101045-0029	BOLT, M8×44	2
20	101045-0025	BOLT	4
21	101045-0043	CYLINDER HEAD ASSY	1

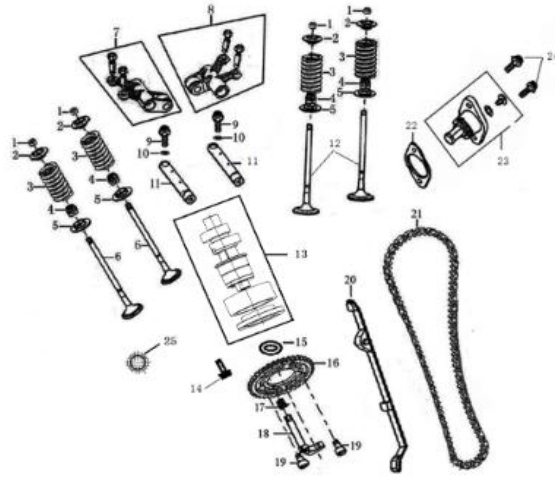
No.	Code	Name	Qty.
22	101029-0858	TENSION PLATE ASSY	1
23	101045-0026	BOLT	1
24	101045-0023	BOLT, M6×28	2
25	101029-1077	BOLT, M6×16	2
26	101038-0483	INTAKE COVER BOARD	1
27	101039-0026	PAPER GASKET	1
28	101029-1586	WASHER, Φ8×1.5×Φ14	1
29	101045-0044	SPARK PLUG	1
30	101045-0045	PLUG	1

CYLINDER ASSEMBLY



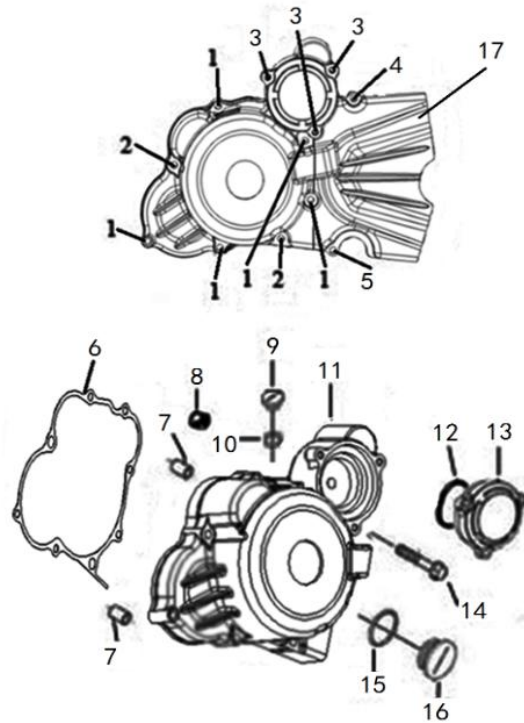
No.	Code	Name	Qty.
1	101045-0048	GASKET ASSY CYLINDER HEAD	1
2	101029-1484	PIN, $\Phi 6 \times 12$	2
3	101045-0046	CYLINDER BLOCK ASSEMBLY	1
4	101045-0047	GASKET CYLINDER BLOCK	1
5	101045-0024	BOLT, M6 \times 30	2

VALVE MECHANISM



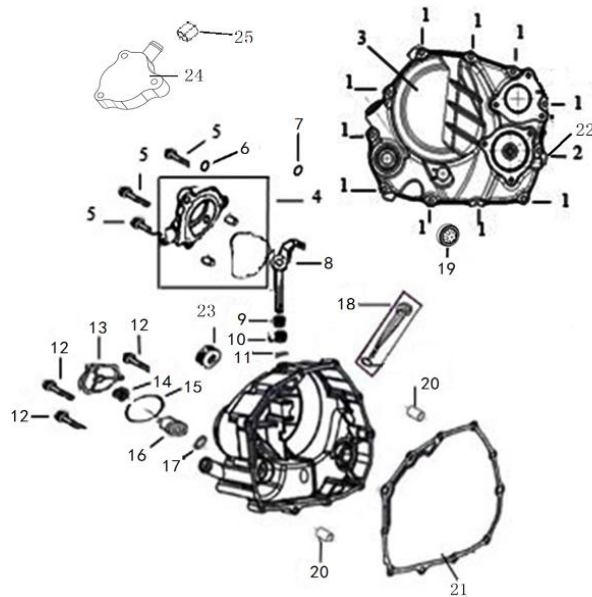
No.	Code	Name	Qty.
1	101029-1327	VALVE LOCKER	8
2	101029-1425	SPRING, SEAT	4
3	101045-0049	VALVEOUTERSPRING	4
4	101029-1328	SEAL VALVE STEM	4
5	101029-1466	OUTER VALVE SPRING, RETAINER	4
6	101045-0051	EXHAUST VALVE	2
7	101045-0053	ROCKER ARM ASSEMBLY VALVE	1
8	101045-0054	ROCKER ARM ASSEMBLY VALVE	1
9	101029-1574	BOLT, M6×18	2
10	101037-0005	WASHER, Φ6.2×1×Φ10	2
11	101045-0052	ROCKER SHAFT	2
12	101045-0050	INTAKE VALVE	2
13	101045-0055	GAMP SHAFT COMP	1
14	101029-1077	STOP PLATE CAMSHAFT	1
15	101029-1472	FLAT WASHER Φ6.5×1.5×Φ18	1
16	101045-0057	TIMING DRIVEN SPROCKET	1
17	101029-1143	DECOMPRESSION SPRING, OF CAMSHAFT	1
18	101045-0058	CENTRIFUGAL MASS ASS.	1
19	101029-1520	BOLT, M6×16	2
20	101045-0056	TENSION PLATE ASSY	1
21	101045-0059	SPROCKET CHAIN	1
22	101029-0861	GASKET TENSIONER	1
23	101028-0326	CHAIN TENSIONING WHEEL	1
24	101028-0327	BOLT, M6×16	1
25	101045-0018	NEEDLE BEARING, HK1812-B	1

LEFT CRANKCASE COVER



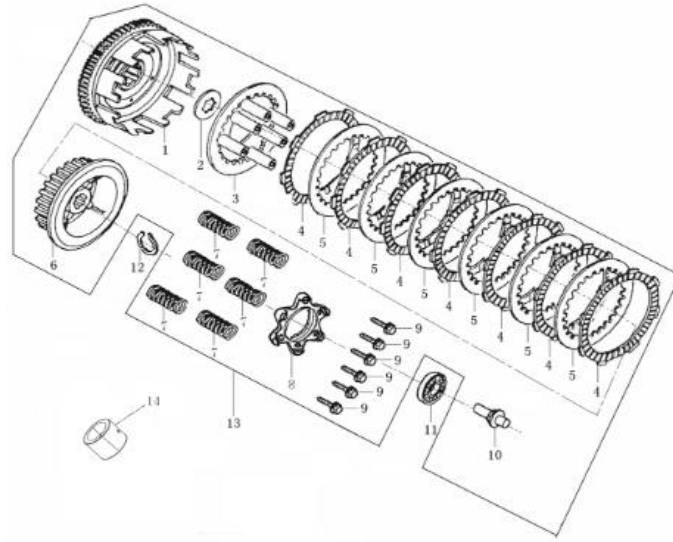
No.	Code	Name	Qty.
1	101028-0335	BOLT, M6×40	5
2	101028-0360	BOLT, M6×50	2
3	101028-0301	BOLT, M6×20	3
4	101028-0359	BOLT, M6×28	1
5	101028-0284	BOLT, M6×35	1
6	101045-0060	GASKET L. CRANKCASE COVER	1
7	101029-0891	PIN, Φ10×14	2
8	101029-0885	BEARING	1
9	101028-0349	CAP SMALL VIEW HOLE	1
10	101045-0012	O-RING, Φ13.2×2.65	1
11	101045-0061	FRONT PART, L. CRANKCASE COVER	1
12	101045-0015	O-RING, Φ62×3	1
13	101045-0063	COVER REDUCTION GEAR	1
14	101028-0355	BOLT, M6×25	1
15	101045-0013	O-RING, Φ27.4×2.65	1
16	101028-0354	CAP BIG VIEW HOLE	1
17	101029-0889	BACK PART L.CRANKCASE COVER	1

RIGHT CRANKCASE COVER



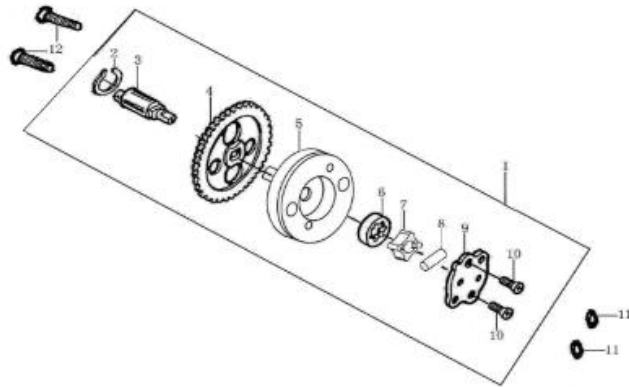
No.	Code	Name	Qty.
1	101028-0335	BOLT, M6×40	10
2	101028-0360	BOLT, M6×50	1
3	101045-0062	COVER COMP RIGHT CRANKCASE	1
4	101045-0064	WATER PUMP COVER	1
5	101028-0336	BOLT, M6×45	3
6	101045-0016	WASHER, Φ6.2×1×Φ12	1
7	101045-0009	O-RING, Φ7×2	1
8	101045-0115	CONTROLLING ARM ASSEMBLY CLUTCH	1
9	101045-0033	OIL SEAL 12×22×5	1
10	101045-0112	CLUTCH CONTROLLING ARM SPRING	1
11	101028-0341	CLUTCH LEVER PIN	1
12	101028-0301	BOLT, M6×20	3
13	101045-0111	CAP OIL FILTER	1
14	101037-0058	SPRING, OIL FINE FILTER	1
15	101045-0014	O-RING, Φ52×2.3	1
16	101045-0114	OIL FILTER	1
17	101045-0011	O-RING, Φ13.2×1.8	1
18	101029-0875	OIL RULER ASSY	1
19	101037-0056	OIL LEVEL SIGHT WINDOW	1
20	101029-0878	DOWEL PIN, Φ8×14×Φ6.3	2
21	101045-0113	GASKET R.CRANKCASE COVER	1
22	101028-0296	WASHER, Φ6.2×2×Φ13	1
23	101045-0030	OIL SEAL 12×21×7	1
24	101045-0065	WATER PUMP PARTS	1
25	101045-0066	DUST BUSH	1

CLUTCH ASSY



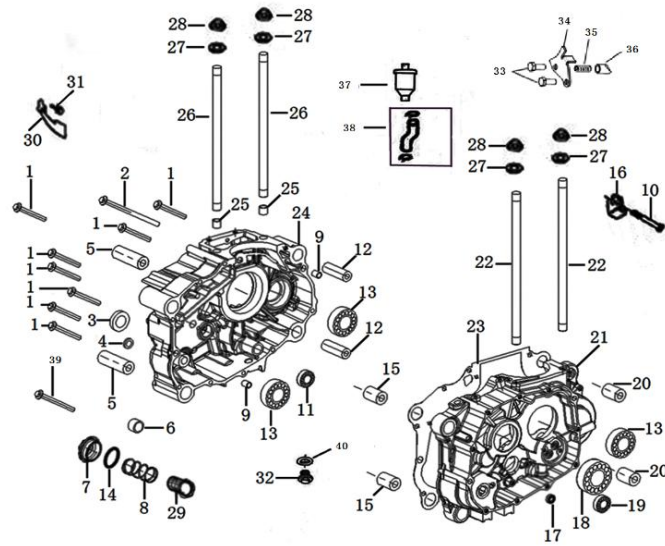
No.	Code	Name	Qty.
1	101045-0068	OUT CASE ASSEMBLY CLUTCH	1
2	101028-0379	WASHER	1
3	101028-0378	PRESSURE PLATE CLUTCH	1
4	101045-0002	DRIVE FRICTION DISK	7
5	101028-0377	OUTER FRICTION DISK A	6
6	101029-0900	CENTER SLEEVE CLUTCH	1
7	101029-0901	SPRING, CLUTCH	6
8	101028-0372	END COVER CLUTCH	1
9	101028-0370	BOLT, M5×20	6
10	101045-0069	PUSHING ROD CLUTCH	1
11	101028-0371	BEARING, 16003	1
12	101028-0373	ELASTIC CHECK RING, Ø20	1
13	101045-0067	CLUTCH ASSY	1
14	101045-0034	SLEEVE CLUTCH	1

OIL PUMP



No.	Code	Name	Qty.
1	101045-0070	OIL PUMP ASSY	1
2	101028-0383	RETAINING RING, 6	1
3	101045-0071	SHAFT OIL PUMP	1
4	101045-0072	OIL PUMP GEAR ASS.	1
5	101045-0073	OIL PUMP BODY	1
6	101045-0074	OUTER ROTOR OIL PUMP	1
7	101045-0075	INNER ROTOR OIL PUMP	1
8	101029-0925	PIN, $\Phi 2.5 \times 10$	1
9	101045-0076	OIL PUMP COVER	1
10	101029-0920	SCREW, M4 \times 10	2
11	101045-0010	O-RING, $\Phi 9.4 \times 2.4$	2
12	101038-0707	SCREW, M6 \times 30	2

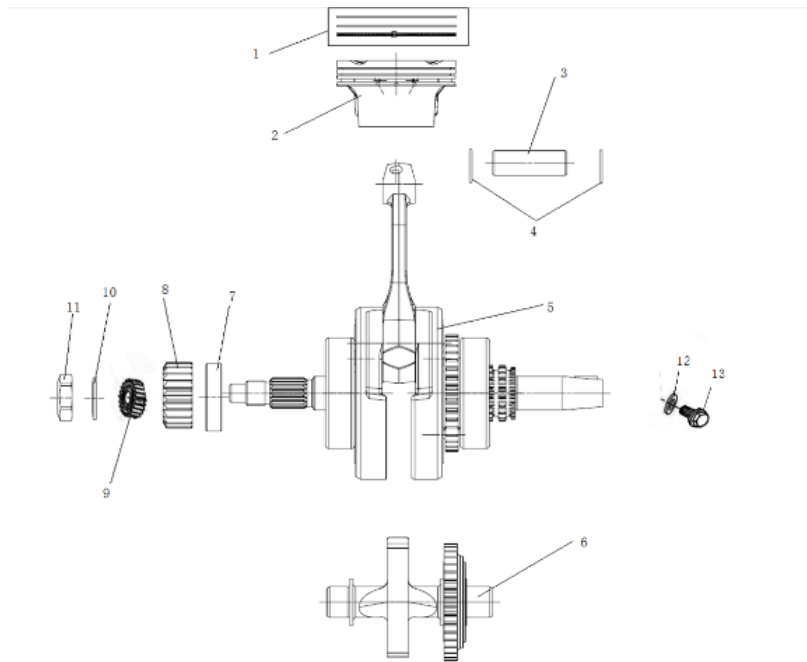
CRANKCASE



No.	Code	Name	Qty.
1	101028-0360	BOLT, M6×50	8
2	101029-0953	BOLT, M6×100	1
3	101045-0031	OIL SEAL 20×34×7	1
4	101045-0032	OIL SEAL 14×28×7	1
5	101029-0966	ABSORBER SLEEVE	2
6	101028-0350	BEARING	1
7	101028-0419	COVER VALVE CHAMBER	1
8	101028-0418	SPRING, OIL FILTER STRAINER	1
9	101029-1483	DOWEL PIN, Φ13×14	2
10	101029-0972	BOLT, M6×70	2
11	101029-0945	BEARING, (TM6202Z)	1
12	101029-0965	ABSORBER SLEEVE	2
13	101045-0017	BEARING, (TM6204)	3
14	101029-0955	O-RING, Φ35×3	1
15	101029-0964	ABSORBER SLEEVE	2
16	101045-0081	HOLDER CLIUTCH CABLE	1
17	101029-1610	NEEDLE BEARING, (NK15×27×12)	1
18	101029-1614	BEARING	1
19	101028-0411	NEEDLE BEARING, (HK21×28×10)	1
20	101029-0963	ABSORBER SLEEVE	2
21	101045-0079	RIGHT CRANKCASE BLOCK	1
22	101045-0027	CYLINDER STUD BOLT B	2
23	101045-0078	GASKET CRANKCASE	1
24	101045-0080	LEFT CRANKCASE BLOCK	1

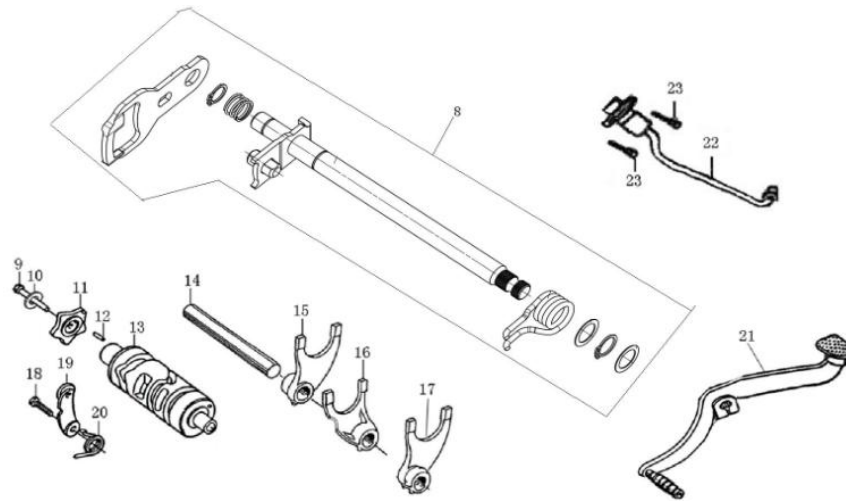
No.	Code	Name	Qty.
25	101028-0347	PIN, Φ 10×14	2
26	101045-0028	CYLINDER STUD BOLT A	2
27	101029-1474	WASHER, Φ 10.5×2× Φ 20	4
28	101045-0020	NUT	4
29	101028-0417	STRAINER OIL FILTER	1
30	101045-0077	POSITION PLATE	1
31	101028-0425	BOLT, M6×12	1
32	101028-0428	OIL DRAIN PLUG	1
33	101029-0959	PRESSING PIN, BODY UPPER PIN	1
34	101045-0035	SPRING	1
35	101029-1654	ASSEMBLY CHAIN PROTECT PLATE	1
36	101029-0853	BOLT, M6×16	2
37	101029-1703	OIL AIR FILTER	1
38	101029-1702	PIPE ASSY	1
39	101029-0931	BOLT, M6×65	1
40	101028-0429	WASHER, Φ 12.1×2× Φ 20	1

CRANKSHAFT CONNECTING-ROD ASSY/PISTON



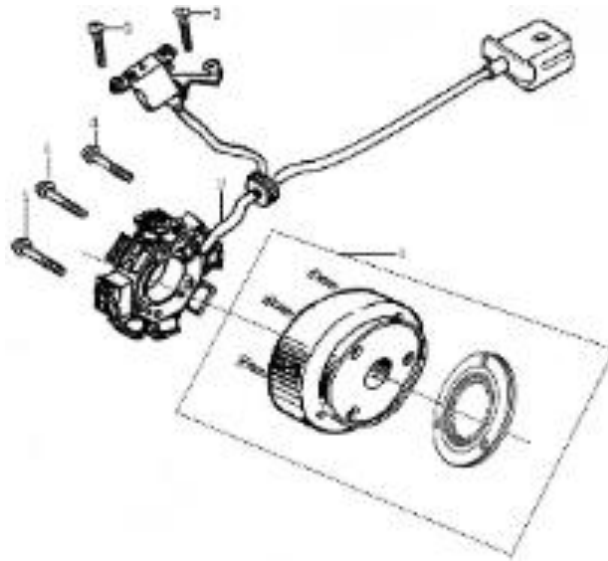
No.	Code	Name	Qty.
1	101045-0084	PISTON RING, COMP	1
2	101045-0085	PISTON	1
3	101029-1200	PIN, PISTON	1
4	101029-0978	CHECK RING PISTON PIN	2
5	101045-0086	CRANKSHAFT CONNECTING-ROD ASSY	1
6	101045-0087	BALANCE SHAFT	2
7	101045-0083	PLAIN WASHER, $\Phi 22 \times 9.5 \times \Phi 44$	1
8	101045-0082	PRIMARY DRIVE GEAR	1
9	101045-0088	DRIVE GEAR OIL PUMP	1
10	101028-0397	DISH WASHER, CLUTCH	1
11	101029-1371	LOCK NUT, CLUTCH	1
12	101029-1588	WASHER, $\Phi 10.5 \times 2.5 \times \Phi 24$	1
13	101028-0450	BOLT, M10x36	1

GEARSHIFT MECHANISM



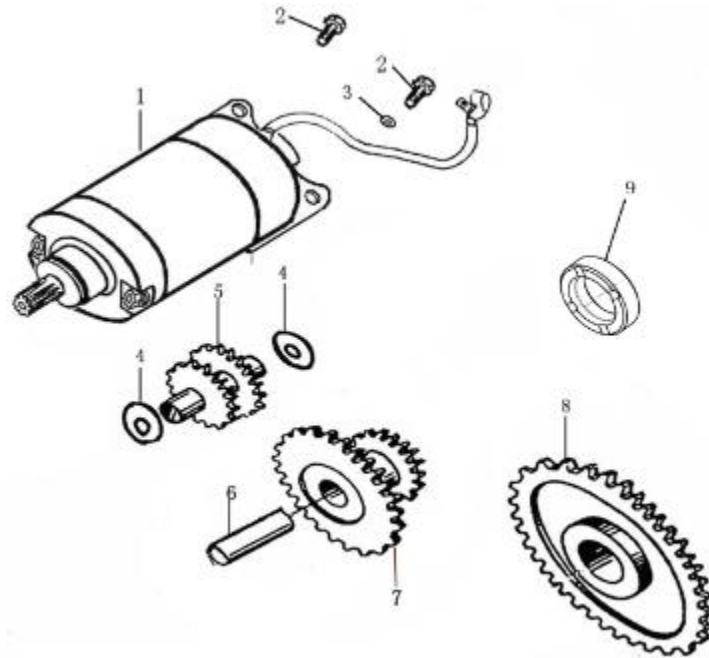
No.	Code	Name	Qty.
8	101045-0097	GEARSHIFT LEVER COMP	1
9	101028-0505	BOLT	1
10	101028-0506	WASHER, $\Phi 6$	1
11	101045-0091	STOPPING PLATE	1
12	101028-0508	PIN, $\Phi 4 \times 10$	1
13	101045-0095	GEARSHIFT DRUM	1
14	101028-0501	SHAFT GEARSHIFT FORK	1
15	101045-0094	RIGHT FORK COUNTERSHAFT	1
16	101045-0092	CENTER FORK MAINSHAFT	1
17	101045-0093	LEFT FORK COUNTERSHAFT	1
18	101028-0293	BOLT, M6 \times 20	1
19	101029-1697	LOCATING PLATE ASSY	1
20	101029-1696	SPRING, LOCATING PLATE	1
21	101028-0500	GEARSHIFT SHAFT	1
22	101045-0096	GEARSHIFT SWITCH COMP	1
23	101028-0510	SCREW	2

MAGNETO COMP



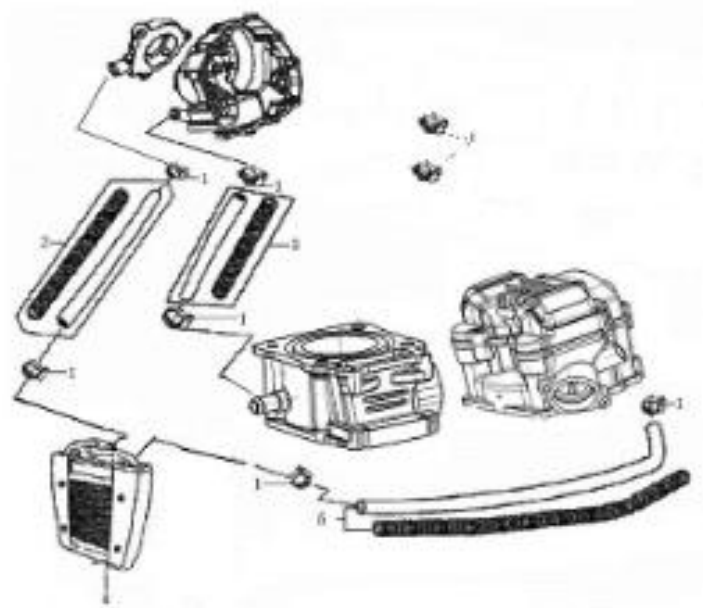
No.	Code	Name	Qty.
1	101045-0098	ROTOR ASSY MAGNETO	1
2	101045-0099	STATOR ASSY MAGNETO	1
3	101028-0517	BOLT, M5×16	2
4	101045-0021	BOLT, M5×30	3

ELECTRIC STARTING MECHANISM



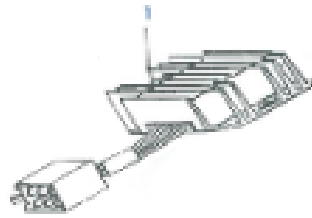
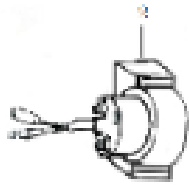
No.	Code	Name	Qty.
1	101045-0100	STARTING MOTOR ASSY	1
2	101028-0528	BOLT, M6×28	2
3	101045-0101	WASHER	1
4	101028-0522	WASHER, Φ10.5×0.5×Φ18	2
5	101028-0525	GEAR REDUCTION	1
6	101045-0103	SHAFT REDUCTION	1
7	101045-0106	GEAR REDUCTION 1	1
8	101045-0104	PLATE GEAR ASSY	1
9	101045-0105	WASHER, Φ22×9.5×Φ34	1

WATER COOLING SYSTEM



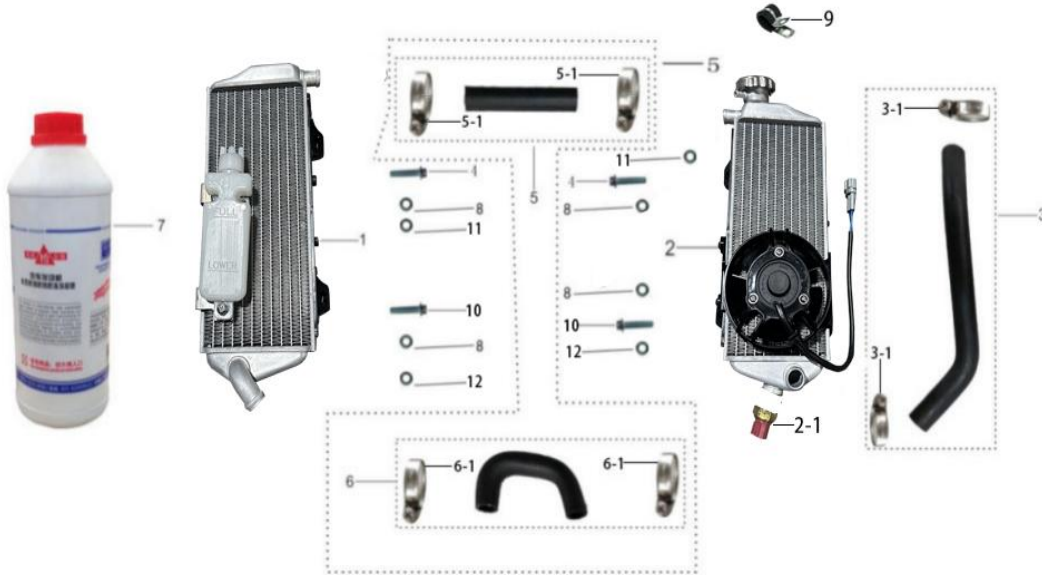
No.	Code	Name	Qty.
1	101045-0102	CLIP	8
2	101045-0108	TUBE	1
3	101045-0109	TUBE	1
4	101045-0110	WATER COOLER	1
5	101045-0107	TUBE	1

ELECTRICAL COMPONENTS



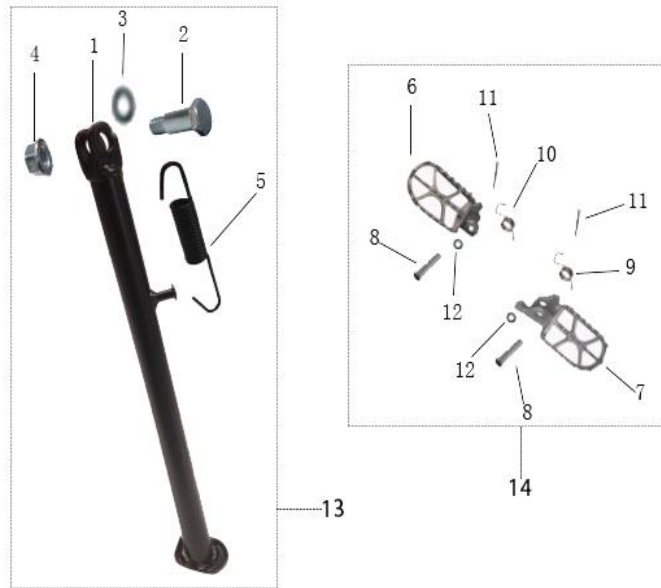
No.	Code	Name	Qty.
1	101045-0116	RECTIFIER	1
2	101028-0533	RELAY	1

Water Tank Assy



No.	Code	Name	Qty.
1	104001-0019	LEFT WATER COOLER	1
2	104001-0020	RIGHT WATER COOLER	1
2-1	104005-0003	RADIATOR THERMOSTAT SWITCH	1
3	104002-0025	INLET PIPE	1
3-1	906001-0009	HOOP	2
4	903018-0063	BOLT-M6*45	2
5	104002-0027	CONNECTION PIPE	1
5-1	906001-0009	HOOP	2
6	104002-0026	OUTLET PIPE	1
6-1	906001-0009	HOOP	2
7	104001-0006	ANTIFREEZE LIQUID	1
8	103003-0001	OIL COOLANT BUSH	4
9	908007-0005	HOOP	1
10	903018-0007	BOLT-M6*25	2
11	902001-0161-02	FLAT BUSH-Φ6.3*Φ10*H20.2	2
12	902001-0003	FLAT BUSH-Φ8*12*H13	2

Single Brace and Foot Assy



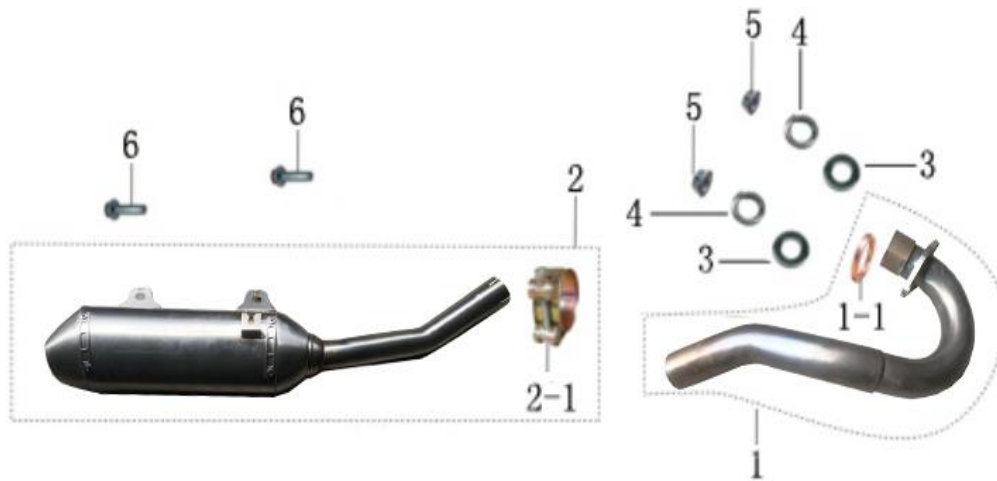
No.	Code	Name	Qty.
1	554000-0048	SIDE STAND	1
2	903020-0002	STEP BOLT	1
2	903020-0002-03	STEP BOLT	1
3	903002-0011	FLAT WASHER $\Phi 13*20*1.5$	1
3	903002-0011-02	FLAT WASHER $\Phi 13*20*1.5$	1
4	903007-0007	FLANGE LOCKNUT-M10*1.5	1
4	903007-0007-03	FLANGE LOCKNUT-M10*1.5	1
5	407002-0001	SIDE STAND SPRING	1
6	506003-0020	LEFT FOOTPEG	1
7	506003-0021	RIGHT FOOTPEG	1
8	904001-0005	HINGE PIN	2
9	407001-0011-02	LEFT FOOTPEG SPRING	1
10	407001-0010-02	RIGHT FOOTPEG SPRING	1
11	904002-0002	COTTER PIN	2
11	904002-0002-03	COTTER PIN	2
12	903002-0007	FLAT WASHER- $\Phi 10*16*1.5$	2
12	903002-0007-02	FLAT WASHER- $\Phi 10*16*1.5$	2
13	C90002-0047	STRAIGHT SIDE STAND ASSEMBLY	1
14	C90002-0001-02	LEFT AND RIGHT FOOTPEG ASSEMBLY	1

Carburetor and Air Filter Assy



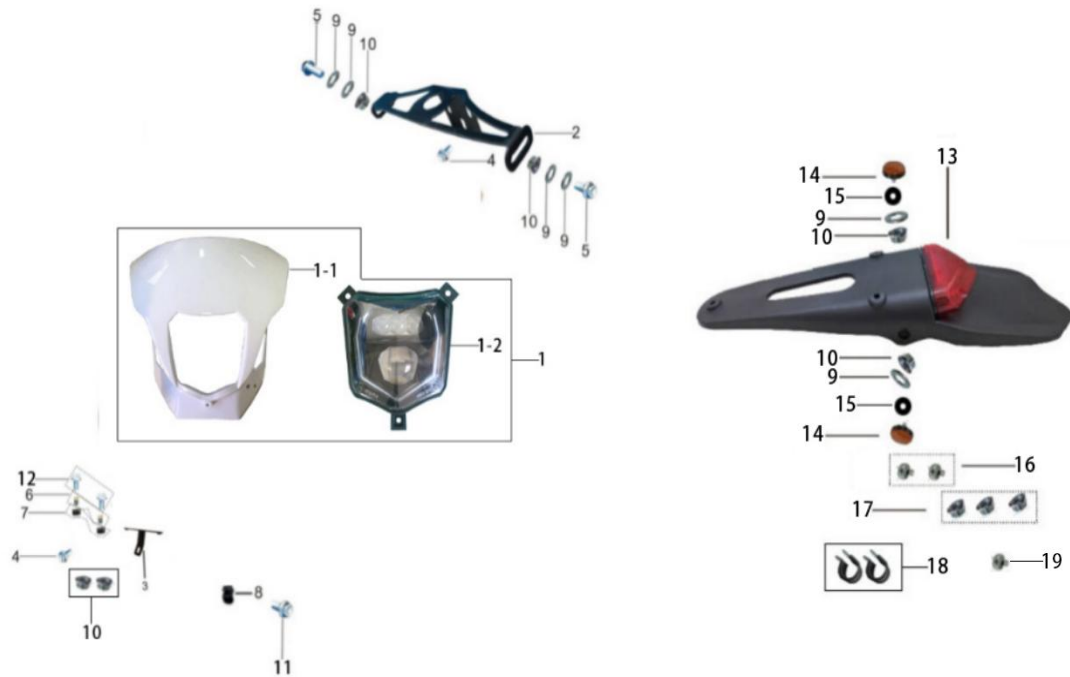
No.	Code	Name	Qty.
1	102000-0102	CARBURETOR	1
2	105002-0015	AIR FILTER SPONGE	1
3	105003-0026	AIR FILTER RUBBER ELBOW	1
3	105003-0026-02	AIR FILTER RUBBER ELBOW	1
4	906001-0004	HOOP	1
5	906001-0002	HOOP	1
6	102004-0007	CARBURETOR FIRE PROOF COVER	1

Muffler Assy



No.	Code	Name	Qty.
1	106001-0128	MUFFLER PIPE	1
1-1	106003-0001	MUFFLER PIPE SEAL	1
2	106002-0053	MUFFLER	1
2-1	906001-0001	HOOP	1
3	903002-0004	FLAT WASHER-Φ8*16*1.5	2
3	903002-0004-03	FLAT WASHER-Φ8*16*1.5	2
4	903001-0004	SPRING WASHER-Φ8*13*2	2
4	903001-0003-02	SPRING WASHER-Φ8*13*2	2
5	903007-0005	FLANGE LOCKNUT-M8	2
6	903019-0013	FLANGE BOLT-M8*20	2
6	903019-0013-03	FLANGE BOLT-M8*20	2

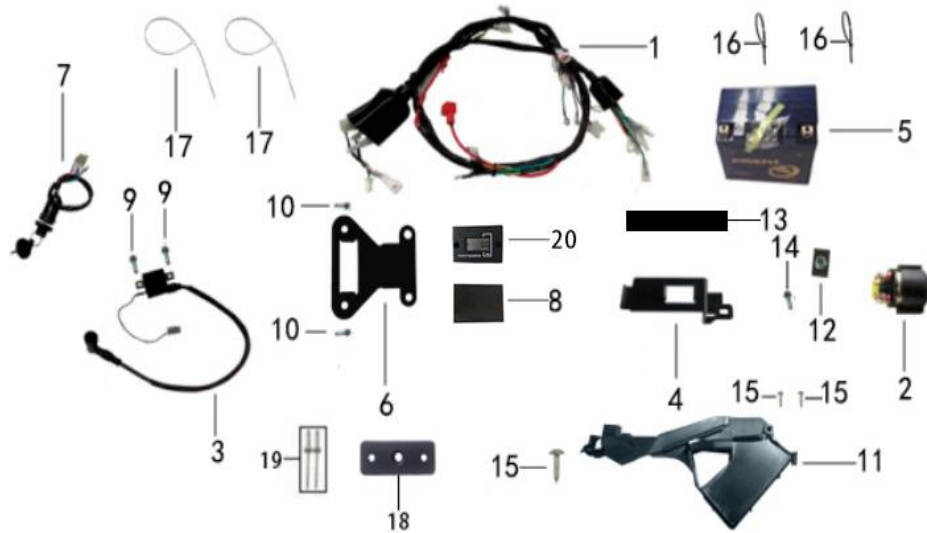
Headlamp Assy



No.	Code	Name	Qty.
1	308001-0005	FRONT LIGHT ASSY.	1
1	308001-0035	FRONT LIGHT ASSY.	1
1-1	308006-0023	FRONT LIGHT COVER.	1
1-2	308005-0010	FRONT LIGHT BULB.	1
2	315008-0007	UPPER BRACKET	1
3	315011-0002	SPEEDMETER LOWER BRACKET	1
3	315008-0024-02	FRONT LIGHT LOWER BRACKET	1
4	903018-0003	BOLT-M6*12	2
4	903018-0003-03	BOLT-M6*12	2
5	903018-0004	BOLT-M6*16	4
5	903018-0004-03	BOLT-M6*16	4
6	902001-0001	FLAT BUSH-Φ6.2*8.2*H7	2
7	908007-0010	RUBBER RING	2
8	801014-0012	WIRE-CLIP	1
9	903002-0002	FLAT WASHER-Φ6*18*1.5	4
9	903002-0002-03	FLAT WASHER-Φ6*18*1.5	6
10	903006-0002	NUT-M6	4
10	903006-0002-03	NUT-M6	6
11	903018-0004	BOLT-M6*16	1
11	903018-0004-03	BOLT-M6*16	1
12	903018-0005	BOLT-M6*20	2

12	903018-0005-03	BOLT-M6*20	2
13	315008-0012-02	PLASTIC REAR LIGHT HOLDER	1
13	315008-0012-03	PLASTIC REAR LIGHT HOLDER	1
14	308006-0008	FRONT AND LEFT REFLECTORS	2
15	908003-0002	RUBBER FLAT WASHER Φ 5.5*14.5*2	2
16	903012-0004-03	SCREW-TM5*20	2
17	903007-0001-03	LOCKNUT-M5	3
18	908007-0005	HOOP	2
19	903012-0005-03	CROSS RECESSED PAN HEAD MACHINE SCREW TM5*25	1

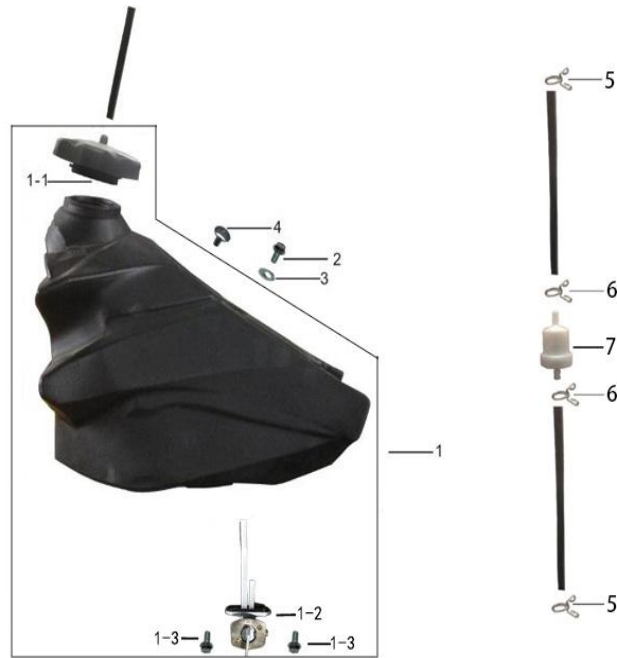
Electronic Assy



No.	Code	Name	Qty.
1	309001-0178	MAIN CABLE	1
1	309001-0212	MAIN CABLE	1
2	301001-0001	RELAY	1
3	306001-0005	IGNITOR COIL	1
4	315012-0034	BATTERY HOLDER	1
4	315012-0039	BATTERY HOLDER	1
4	315012-0039-02	BATTERY HOLDER	1
5	312001-0027	BATTERY	1
5	312001-0027-02	BATTERY	1
6	315001-0003	ELECTRIC PARTS BRACKET	1
6	315001-0007	ELECTRIC PARTS BRACKET	1
7	314001-0012	ELECTRIC LOCK	1
7	314001-0012-03	ELECTRIC LOCK	1
8	909010-0016	DOUBLE-SIDED TAPE	1
9	903018-0005	FLANGE BOLT-M6*20	2
9	903018-0005-03	FLANGE BOLT-M6*20	2
10	903018-0003	FLANGE BOLT-M6*12	2
10	903018-0003-03	FLANGE BOLT-M6*12	2
10	903011-0002-03	CROSS RECESSED COUNTERSUNK HEAD MACHINE SCREW GB819	2
11	908007-0033-02	BATTERY BOX	1
12	903008-0020	NUT-M6	1
13	909010-0011	EVA	1
14	903020-0023	SCREW-M6*16	1
15	903010-0006	TAPPING SCREW-ST4.8*12	3

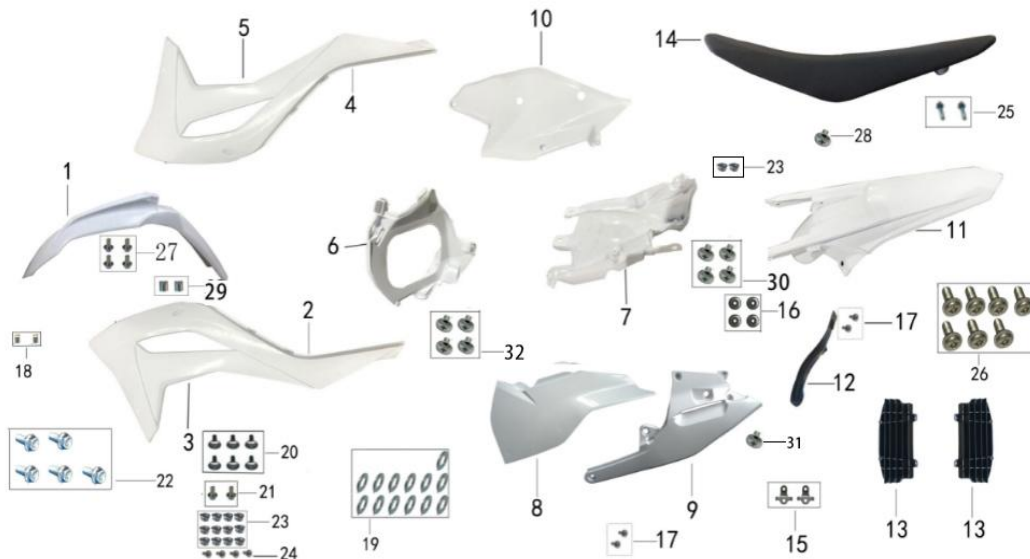
15	903010-0006-03	TAPPING SCREW-ST4.8*12	3
16	906003-0002	PLASTIC BELT	2
17	906003-0005	PLASTIC BELT	2
18	315012-0033	BATTERY FASTENER	1
19	905001-0003	RIVET	2
20	311001-0022	HOUR METER	1

Fuel Tank Assy



No.	Code	Name	Qty.
1	805001-0022-02	FUEL TANK ASSY.	1
1-1	805003-0015	FUEL TANK CAP	1
1-2	805004-0021	FUEL TANK SWITCH	1
1-3	903020-0022	SCREW-M5*10	2
2	903018-0007	BOLT-M6*25	1
3	903002-0005	FLAT WASHER-Φ8*28*1.5	1
3	903002-0005-03	FLAT WASHER-Φ8*28*1.5	1
4	903012-0003	SCREW-TM5*16	1
4	903012-0003-03	SCREW-TM5*16	1
5	906002-0002	TUBE CLIP	2
6	906002-0001	TUBE CLIP	2
7	108001-0002	FUEL FILTER	1

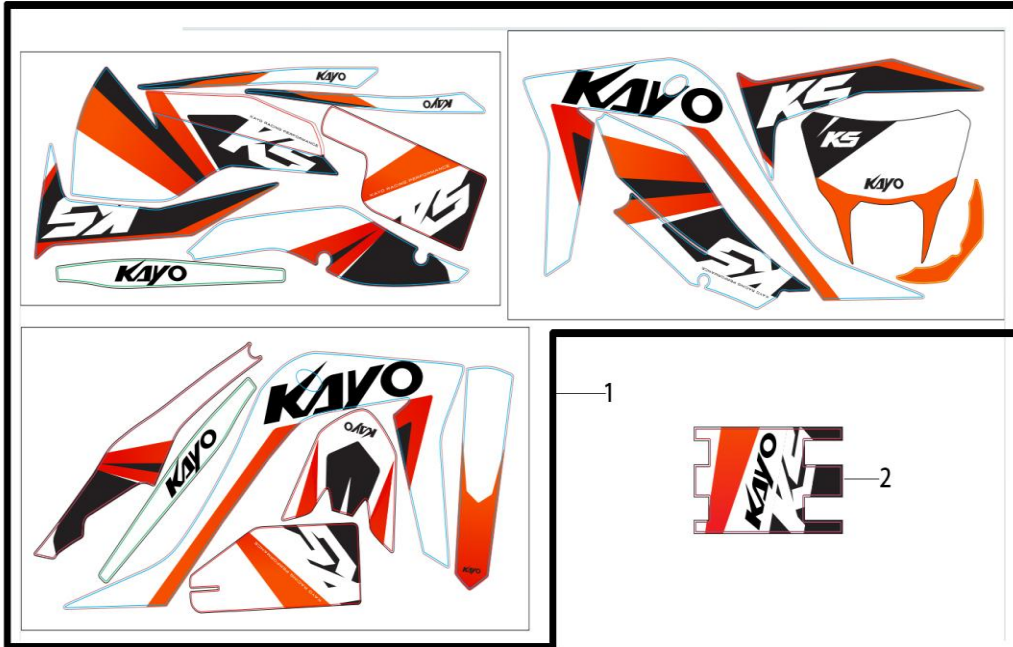
Plastic Parts Assy



No.	Code	Name	Qty.
1	801010-0012	FRONT MUD GUARD	1
2	801011-0024	FRONT LEFT COVER(UP)	1
2	801011-0024-03	FRONT LEFT COVER(UP)	1
3	801011-0025	FRONT LEFT COVER(DOWN)	1
3	801011-0025-03	FRONT LEFT COVER(DOWN)	1
4	801011-0026	FRONT RIGHT COVER(UP)	1
4	801011-0026-03	FRONT RIGHT COVER(UP)	1
5	801011-0027	FRONT RIGHT COVER(DOWN)	1
5	801011-0027-03	FRONT RIGHT COVER(DOWN)	1
6	801011-0028	AIR FILTER FRONT COVER PLATE	1
6	801011-0028-03	AIR FILTER FRONT COVER PLATE	1
7	801011-0029	AIR FILTER LOWER COVER PLATE	1
7	801011-0029-03	AIR FILTER LOWER COVER PLATE	1
8	801011-0030	AIR FILTER LEFT UPPER COVER	1
8	801011-0030-03	AIR FILTER LEFT UPPER COVER	1
9	801011-0031	AIR FILTER LEFT LOWER COVER	1
9	801011-0031-03	AIR FILTER LEFT LOWER COVER	1
10	801011-0032	REAR RIGHT COVER	1
10	801011-0032-03	REAR RIGHT COVER	1
11	801011-0033	REAR MUD GUARD	1
11	801011-0033-03	REAR MUD GUARD	1
12	801011-0034	FENDER	1
13	801011-0022	WATER TANK PROTECTOR	2
14	701000-0038-02	SEAT ASSY	1
15	555000-0163	BRACKET	2

No.	Code	Name	Qty.
16	908007-0034	ROUND BUCKLE	4
17	903010-0009	SCREW-ST6.3*16	4
17	903010-0009-02	SCREW-ST6.3*16	4
18	902001-0001	FLAT BUSH-Φ6.2*8.2*H7	2
19	903002-0002	FLAT WASHER-Φ6*18*1.5	13
19	903002-0002-03	FLAT WASHER-Φ6*18*1.5	13
20	903020-0022	BOLT-M5*10	6
21	903019-0004	BOLT-M6*16	2
22	903018-0003	FLANGE BOLT-M6*12	5
22	903018-0003-03	FLANGE BOLT-M6*12	5
23	903006-0002	FLANGE NUT-M6	14
23	903006-0002-03	FLANGE NUT-M6	14
24	903012-0006	SCREW-TM6*12	4
24	903012-0006-03	SCREW-TM6*12	4
25	903020-0003	BOLT-M6*16	2
25	903020-0003-03	BOLT-M6*16	2
26	903020-0023	SCREW-M6*16	7
27	903018-0005	BOLT-M6*20	4
27	903018-0005-03	BOLT-M6*20	4
28	903012-0003	SCREW-TM5*16	1
28	903012-0003-03	SCREW-TM5*16	1
29	902001-0011	FLAT BUSH-Φ8.2*16*H4	2
30	903012-0011	SCREW-TM6*10	4
30	903012-0011-03	SCREW-TM6*10	4
31	903012-0014	SCREW-TM6*35	1
32	903012-0009	SCREW-TM6*25	4
32	903012-0009-02	SCREW-TM6*25	4
	C90002-0062	PLASTIC PARTS	1

Sticker



No.	Code	Name	Qty.
1	802019-0013	STICKER	1
1	802019-0016	STICKER	1
1	802019-0016-02	STICKER	1
2	802019-0014	SHEATH BUSH	1