

# K4 Parts Catalog

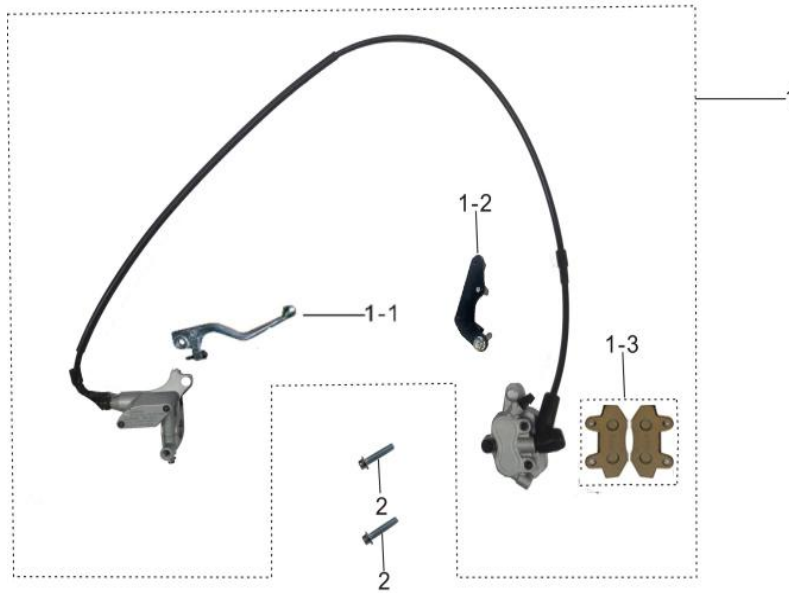


## Handlebar Assy



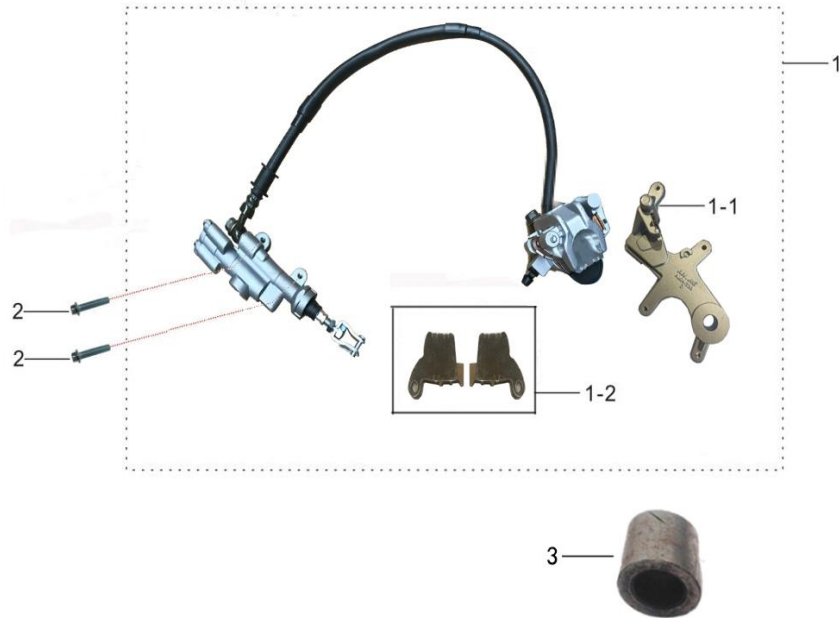
No.	Code	Name	Qty.
1	602002-0021	ALUMINUM HANDLE BAR	1
1	602002-0025	ALUMINUM HANDLE BAR	1
1	602002-0025-03	ALUMINIUM HANDLEBAR	1
2	602017-0005	BAR GRIP PAD	1
3	602007-0019-02	CLUTCH LEVER ASSY.	1
3	602007-0019-04	CLUTCH LEVER ASSY.	1
4	602013-0020	CLUTCH CABLE	1
4	602013-0020-02	CLUTCH CABLE	1
4	602013-0020-03	CLUTCH CABLE	1
5	602006-0018	LEFT GRIP	1
6	313002-0005	START SWITCH (WATER-PROOF)	1
7	313003-0013	STOP SWITCH(WATER-PROOF)	1
8	602011-0009	THROTTLE PERCH	1
9	602006-0019	RIGHT GRIP	1
10	602014-0019	THROTTLE CABLE	1
10	602014-0019-02	THROTTLE CABLE	1
11	906003-0002	CABLE TIES	2

## Front Brake Assy



No.	Code	Name	Qty.
1	404000-0111	FRONT BRAKE ASSY	1
1	404000-0175	FRONT BRAKE ASSY	1
1	404000-0111	FRONT BRAKE ASSY	1
1-1	404002-0024	FRONT BRAKE LEVER	1
1-2	404008-0018	FRONT BRAKE BRACKET	1
1-3	404007-0019	FRONT BRAKE PAD	1
2	903018-0013	FLANGE BOLT-M8*45	2
2	903018-0013-03	FLANGE BOLT-M8*45	2

## Rear Brake Assy



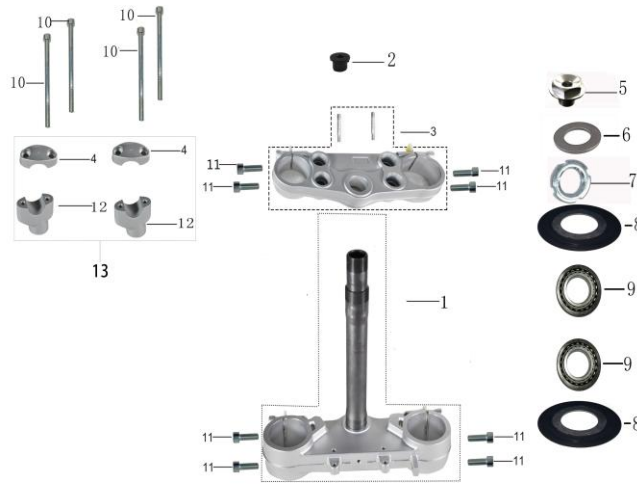
No.	Code	Name	Qty.
1	405000-0074	REAR BRAKE ASSY.	1
1	405000-0120	REAR BRAKE ASSY.	1
1-1	405009-0026	REAR BRACKET	1
1-2	405008-0015	REAR BRAKE PAD	1
2	903015-0002	SCREW-M6*16	2
2	903020-0034	SCREW-M6*20	2
2	903020-0034-02	SCREW-M6*20	2
3	902001-0120	BUSHER	1

## Front Shock Assy



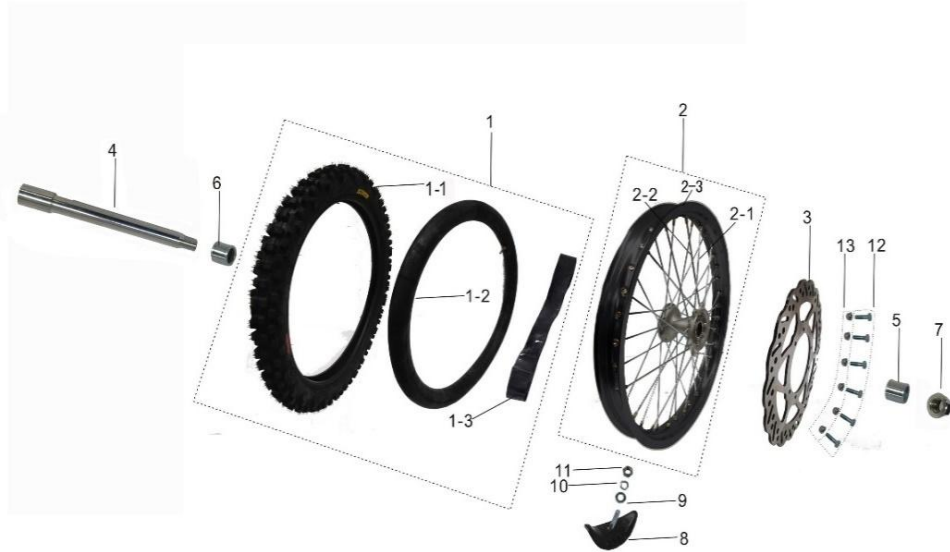
No.	Code	Name	Qty.
1	501000-0104	FRONT RIGHT SHOCK	1
1-1	501001-0016	FRONT RIGHT SHOCK GUARD	1
1-2	903015-0007	SCREW-M6*12	6
2	501000-0103	FRONT LEFT SHOCK	1
2-1	501001-0015	FRONT LEFT SHOCK GUARD	1

## Clamps Assy



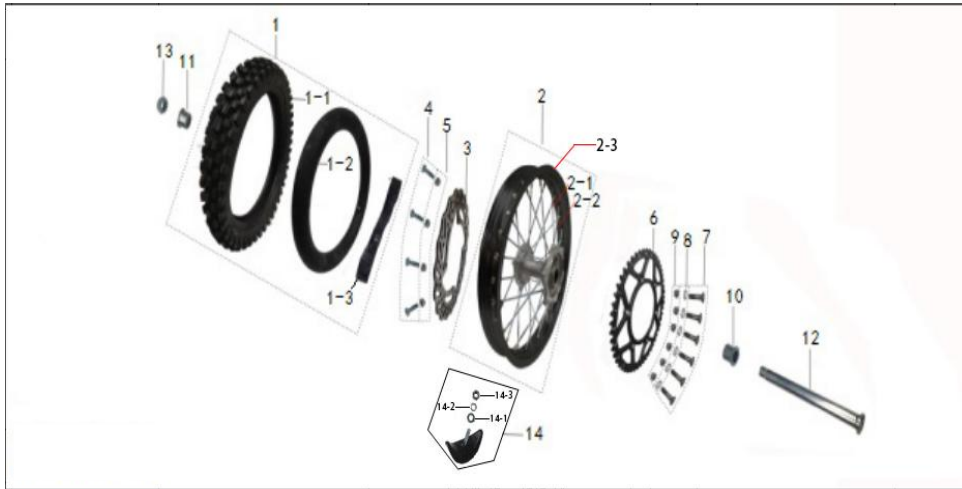
No.	Code	Name	Qty.
1	601006-0015	STEERING COLUMN	1
2	601002-0020	LOWER CLAMP	1
1	601002-0030	LOWER CLAMP	1
2	908004-0004	STEERING COLUMN PLUG	1
3	601001-0007-02	UPPER CLAMP	1
3	601001-0027	UPPER CLAMP	1
4	601003-0002-03	UPPER RAISERS	2
4	601003-0020	UPPER RAISERS	2
5	601005-0002	NUT-M26*1	1
5	601006-0019	SCREW-M20*1.25*L16	1
5	601005-0002	NUT-M26*1	1
6	601005-0014	WASHER-Φ27*40*1.5	1
7	601005-0006	LOCKNUT-M30*1*H12	1
7	601005-0021	LOCKNUT-M30*1*H10	1
8	601005-0010	DUST SEAL	2
9	907002-0008	BEARING	2
10	903013-0035	SCREW-M8*120	4
10	903013-0021	SCREW-M8*30	4
10	903013-0021-03	SCREW-M8*30	4
11	903018-0004	FLANGE BOLT-M6*16	4
11	903018-0012	FLANGE BOLT-M8*40	8
11	903018-0012-03	FLANGE BOLT-M8*40	8
12	601004-0003-03	LOWER RAISERS	2
12	601004-0025	LOWER RAISERS	2
13	C90002-0033	UPPER AND LOWER CLAMPING BLOCK ASSEMBLY	2

## Front Wheel Assy



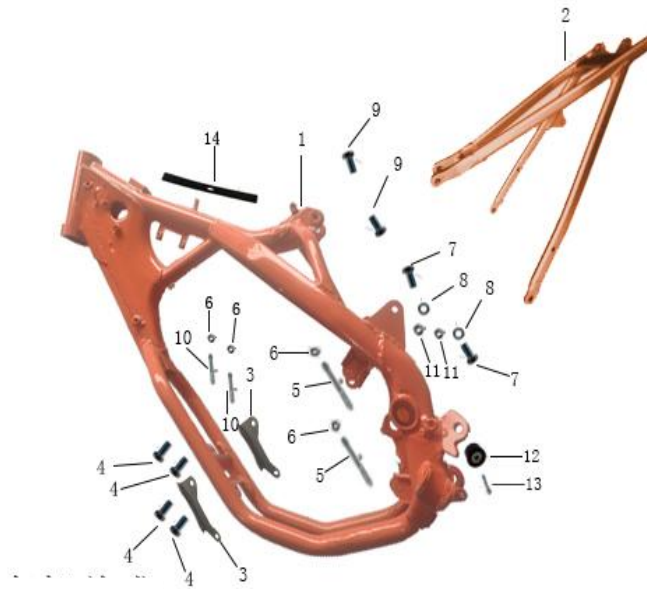
No.	Code	Name	Qty.
1	401005-0013	FRONT TYRE & INNER TUBE ASSY	1
1-1	401006-0011	FRONT TYRE	1
1-2	401007-0006	FRONT INNER TUBE	1
1-3	401008-0007	INNER TUBE BAND	1
2	401000-0075	FRONT RIM ASSY	1
2-1	401004-0023	SPOKE	18
2-2	401004-0024	SPOKE	18
2-3	401001-0009-03	ALUMINIUM RIM	1
3	404001-0012	FRONT BRAKE DISC	1
4	901003-0001	FRONT WHEEL AXLE	1
5	902003-0001	FRONT LEFT CONCAVE BUSH	1
6	902003-0003	FRONT RIGHT CONCAVE BUSH	1
7	903007-0010	FLANGE LOCKNUT-M16*1.5	1
7	903007-0010-02	FLANGE LOCKNUT-M16*1.5	1
8	401010-0004	RIM LOCK	1
9	903002-0004	FLAT WASHER-Ø8*16*1.5	1
9	903002-0004-03	FLAT WASHER-Ø8*16*1.5	1
10	903001-0004	SPRING WASHER-Ø8*13*2	1
10	903001-0003-02	SPRING WASHER-Ø8*13*2	1
11	903005-0006	NUT-M8	1
11	903005-0006-02	NUT-M8	1
12	903017-0001	BOLT-M6*20	6
12	903017-0001-02	BOLT-M6*20	6
13	903007-0003	FLANGE LOCKNUT-M6	6
	C90002-0120	FRONT WHEEL ASSY	1

## Rear Wheel Assy



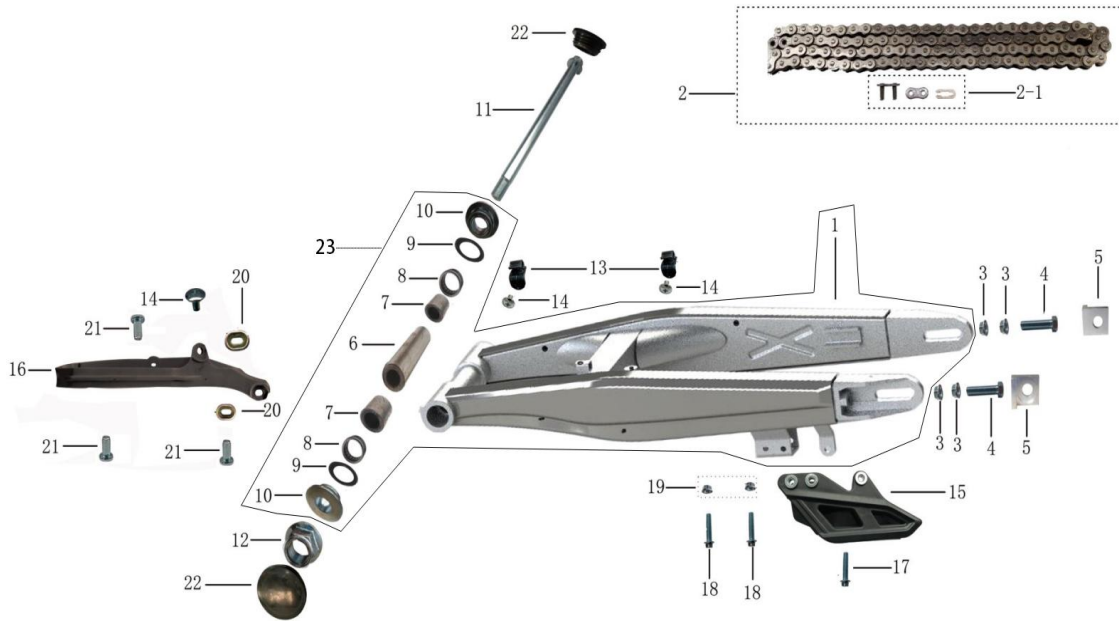
No.	Code	Name	Qty.
1	402005-0023	REAR TYRE & INNER TUBE ASSY	1
1-1	402006-0037	REAR TYRE	1
1-2	402007-0005	REAR INNER TUBE	1
1-3	401008-0005	INNER TUBE BAND	1
2	402000-0083	REAR RIM ASSY	1
2	402000-0095	REAR RIM	1
2-1	402004-0029	SPOKE	16
2-2	402004-0030	SPOKE	16
2-3	402001-0015-03	ALUMINIUM RIM	1
3	405001-0006	REAR BRAKE DISC	1
4	903017-0001	BOLT-M6*20	4
4	903017-0001-02	BOLT-M6*20	4
5	903007-0003	FLANGE LOCKNUT-M6	4
6	205001-0027	STEEL REAR SPROCKET	1
7	903014-0003	SCREW-M8*31	6
8	903002-0003	FLAT WASHER- Φ8*16*1	6
8	903002-0003-02	FLAT WASHER- Φ8*16*1	6
9	903008-0007	FLANGE LOCKNUT-M8	6
9	903008-0007-02	FLANGE LOCKNUT-M8	6
10	902003-0006	REAR LEFT CONCAVE BUSH	1
10	902002-0061	REAR LEFT CONCAVE BUS	1
11	902003-0007	REAR RIGHT CONCAVE BUSH	1
11	902002-0062	REAR RIGHT CONCAVE BUSH	1
12	901001-0047	FLANGE AXLE	1
13	903007-0009	FLANGE LOCKNUT-M14*1.5	1
13	903007-0009-02	FLANGE LOCKNUT-M14*1.5	1
14	401010-0005	RIM LOCK	1
14-1	903002-0004	FLAT WASHER-Φ8*16*1.5	1
14-2	903001-0004	SPRING WASHER-Φ8*13*2	1
14-2	903005-0007	NUT-M8	1
	C90002-0121	REAR WHEEL ASSY	1

## Frame Assy



No.	Code	Name	Qty.
1	551000-0102-01	FRAME ASSY.	1
2	552000-0035-01	SUB FRAME ASSY.	1
2	552000-0048-01	SUB FRAME ASSY.	1
3	555000-0162	ENGINE FRONT FIXING	2
4	903019-0013	FLANGE BOLT-M8*20	4
4	903019-0013-03	FLANGE BOLT-M8*20	4
5	903017-0017	BOLT-M10*110*1.25	2
5	903017-0017-02	BOLT-M10*110*1.25	2
6	903007-0005	FLANGE LOCKNUT-M8	4
7	404011-0005	BOLT-M8*25*1.25	2
8	903002-0008	FLAT WASHER-Φ10*20*2	2
8	903002-0008-03	FLAT WASHER-Φ10*20*2	2
9	903019-0014	FLANGE BOLT-M8*25	2
9	903019-0014-03	FLANGE BOLT-M8*25	2
10	903018-0020	FLANGE BOLT-M8*90	2
10	903018-0020-02	FLANGE BOLT-M8*90	2
11	903007-0006	FLANGE LOCKNUT-M10*1.25	2
11	903007-0006-02	FLANGE LOCKNUT-M10*1.25	2
12	203004-0016	CHAIN ROLLER	1
13	903013-0022	SCREW-M8*35	1
13	903013-0022-03	SCREW-M8*35	1
14	908003-0009	RUBBER WASHER	1

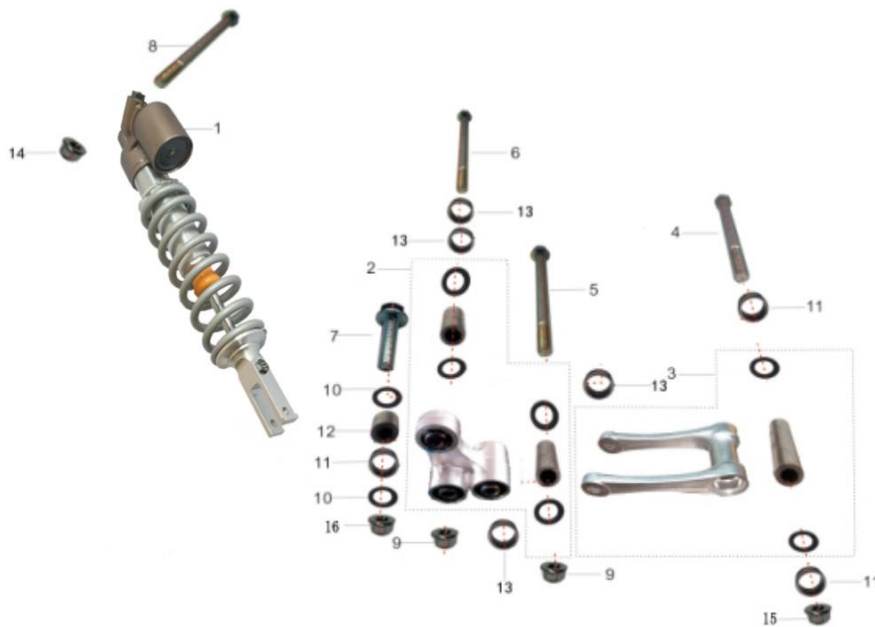
## Swingarm Kit



No.	Code	Name	Qty.
1	553000-0052	STEEL SWING ARM	1
1	553000-0052-01	STEEL SWING ARM	1
1	553000-0074-01	STEEL SWING ARM	1
2	203000-0098	CHAIN	1
2-1	203001-0006	CHAIN CONNECTOR	1
3	903005-0006	NUT-M8	4
3	903005-0006-02	NUT-M8	4
4	903017-0010	BOLT-M8*70	2
4	903017-0010-03	BOLT-M8*70	2
5	203002-0001-06	ALLOY CHAIN ADJUSTER	2
6	902001-0082	BUSH-Φ18*22*H125	1
7	902001-0106	BUSH-Φ17.5*22*H30	2
8	907002-0005	BEARING	2
9	908005-0004	O RING-Φ28*3.1	2
10	902002-0040	BUSH-Φ17*40*H12.5	2
11	901001-0039	FLANGE AXLE	1
12	903007-0011	FLANGE LOCKNUT-M16*1.5	1
12	903007-0011-02	FLANGE LOCKNUT-M16*1.5	1
13	405010-0001	OIL PIPE CLIP	2
14	903012-0006	SCREW-TM6*12	3
14	903012-0006-03	SCREW-TM6*12	3
15	203004-0040	CHAIN GUIDE ASSY.	1
16	203004-0039	CHAIN SLIDER	1

17	903018-0004	FLANGE BOLT-M6*16	1
17	903018-0004-03	FLANGE BOLT-M6*16	1
18	903018-0009	FLANGE BOLT-M6*60	2
18	903018-0009-02	FLANGE BOLT-M6*60	2
19	903007-0003	FLANGE LOCKNUT-M6	2
20	903003-0006	WASHER	2
21	903009-0010	SCREW-M6*12	3
21	903009-0010-03	SCREW-M6*12	3
22	908004-0008	SWING ARM PLUG	2
23	C90002-0150	STRAIGHT SWINGARM ASSEMBLY	1

## Rear Shock Absorber Assy



No.	Code	Name	Qty.
1	502000-0076	REAR SHOCK ASSY.	1
2	503000-0002	TRIANGLE LINKAGE	1
3	504000-0003	U-SHAPED LINKAGE	1
4	901001-0041	FLANGE AXLE	1
5	903018-0039	FLANGE BOLT-M12*90*1.25	1
5	903018-0039-02	FLANGE BOLT-M12*90*1.25	1
6	901001-0040	FLANGE AXLE	1
7	903020-0013	BOLT-M10*42*1.25+Φ10*28	1
7	903020-0013-02	BOLT-M10*42*1.25+Φ10*28	1
8	903018-0035	FLANGE BOLT-M10*70*1.25	1
8	903018-0035-02	FLANGE BOLT-M10*70*1.25	1
9	903007-0008	FLANGE LOCKNUT-M12*1.25	2
9	903007-0008-02	FLANGE LOCKNUT-M12*1.25	2
10	908001-0003	OIL SEAL	2
11	907002-0010	BEARING	3
12	902001-0115	ROCKER ARM BUSH	1
13	907002-0011	BEARING	4
14	903007-0006	FLANGE LOCKNUT-M10*1.25	1
14	903007-0006-02	FLANGE LOCKNUT-M10*1.25	1
15	903008-0027	LOCKNUT-M12*1.25	1
15	903008-0027-02	LOCKNUT-M12*1.25	1
16	903006-0004	FLANGE NUT-M10*1.25	1
16	903006-0004-02	FLANGE NUT-M10*1.25	1

## Brake Pedal Assy



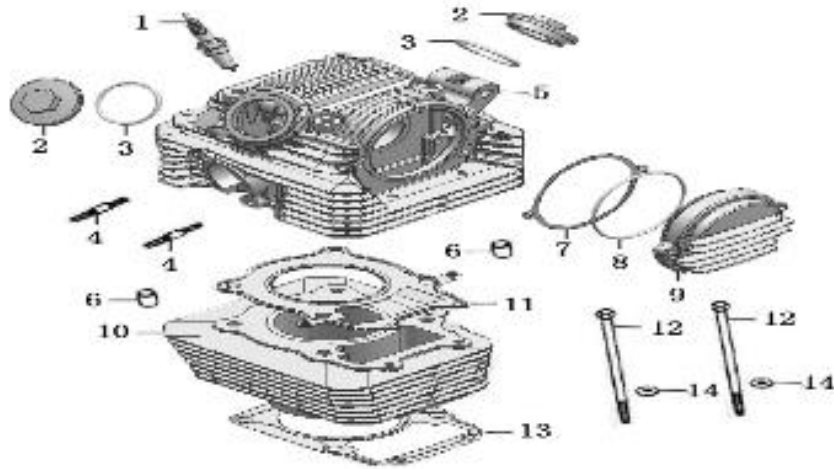
No.	Code	Name	Qty.
1	406001-0012	UP GOING BRAKE PEDAL	1
2	407003-0001	REAR BRAKE SPRING	1
3	908005-0001	RUBBER O RING	2
4	406003-0002	BRAKE PEDAL MOUNTING COLUMN	1
5	406002-0002	BRAKE PEDAL HEAD	1
6	903013-0004-02	SCREW-M6*12	1
	C90002-0174	BRAKE PEDAL ASSEMBLY	1

## Engine Assy



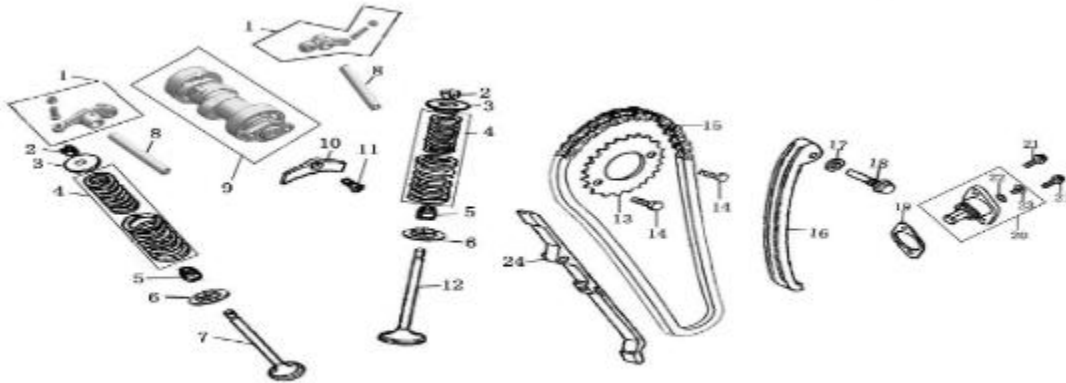
No.	Code	Name	Qty.
1	101000-0548	ENGINE ASSY.	1
1	101000-0549	ENGINE ASSY.	1
2	201002-0024	GEAR SHIFT LEVER	1
3	903013-0008	SCREW-M6*20	1

## CYLINDER HEAD ASSY/CYLINDER ASSEMBLY



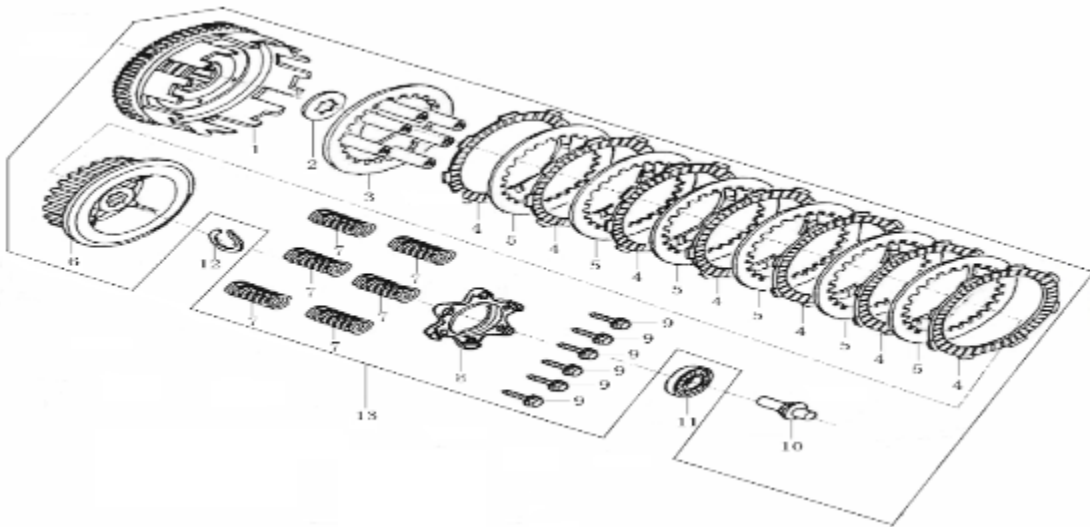
No.	Code	Name	Qty.
1	101029-0829	SPARK PLUG	1
2	101029-0830	COVER VALVE CHAMBER	2
3	101029-0831	O-RING, $\Phi 45 \times 3$	2
4	101029-0832	BOLT, M8 $\times$ 38	2
5	101029-0833	CYLINDER HEAD ASSY	1
6	101029-0834	PIN, $\Phi 10 \times 20$	2
7	101029-0835	GASKET L CYLINDER HEAD COVER	1
8	101029-0836	O-RING, $\Phi 80 \times 2.65$	1
9	101029-0837	LEFT COVER CYLINDER HEAD	1
10	101029-0838	CYLINDER BLOCK ASSEMBLY	1
11	101029-0839	GASKET ASSY CYLINDER HEAD	1
12	101029-0840	BOLT, M6 $\times$ 113	2
13	101029-0841	GASKET CYLINDER BLOCK	1
14	101029-0842	WASHER, $\Phi 6.2 \times 1 \times \Phi 12$	2

## VALVE MECHANISM



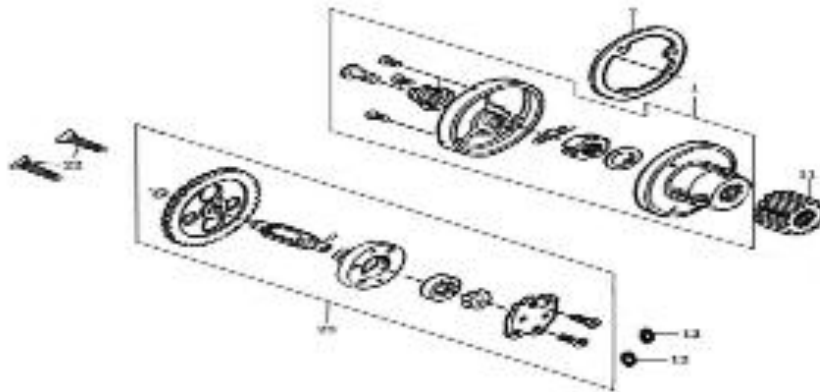
No.	Code	Name	Qty.
1	101029-0843	ROCKER ARM ASSEMBLY VALVE	2
2	101029-0844	VALVE LOCKER	4
3	101029-0845	SPRING, SEAT	2
4	101029-0846	INNER SPRING, ASSY	2
5	101029-0847	SEAL VALVE STEM	2
6	101029-0848	OUTER VALVE SPRING, RETAINER	2
7	101029-0849	EXHAUST VALVE	1
8	101029-0850	ROCKER SHAFT	2
9	101029-0851	GAMP SHAFT COMP	1
10	101029-0852	POSITION PLATE ROCKER SHAFT	1
11	101029-0853	BOLT, M6×16	1
12	101029-0854	INTAKE VALVE	1
13	101029-0855	TIMING DRIVEN SPROCKET	1
14	101029-0856	BOLT, M6×12	2
15	101029-0857	SPROKET CHAIN	1
16	101029-0858	TENSION PLATE ASSY	1
17	101029-0859	WASHER, Φ8×1.5×Φ14	1
18	101029-0860	BOLT	1
19	101029-0861	GASKET TENSIONER	1
20	101029-0862	CHAIN TENSIONING WHEEL	1
21	101029-0863	BOLT, M6×16	2
22	101029-0864	O-RING 9×1.8	1
23	101029-0865	BOLT M6×6	1
24	101029-0866	GUIDE PLATE CHAIN	1

## CLUTCH ASSY



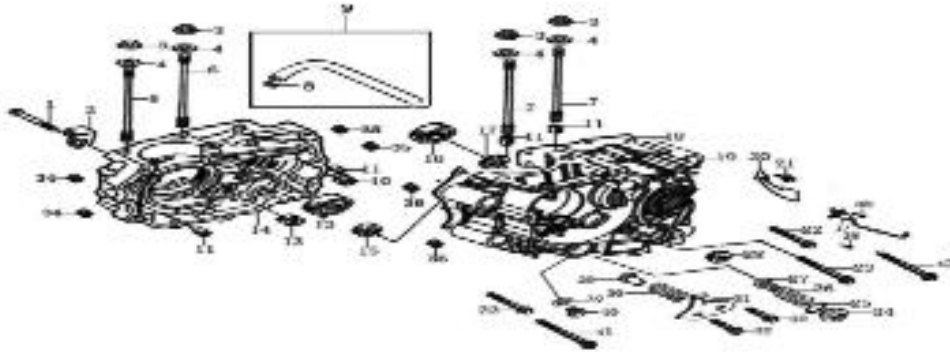
No.	Code	Name	Qty.
1	101029-0895	OUT CASE ASSEMBLY CLUTCH	1
2	101029-0896	WASHER	1
3	101029-0897	PRESSURE PLATE CLUTCH	1
4	101029-0898	DRIVE FRICTION DISK	7
5	101029-0899	OUTER FRICTION DISK A	6
6	101029-0900	CENTER SLEEVE CLUTCH	1
7	101029-0901	SPRING, CLUTCH	6
8	101029-0902	END COVER CLUTCH	1
9	101029-0903	BOLT, M5x20	6
10	101029-0904	PUSHING ROD CLUTCH	1
11	101029-0905	BEARING (16003)	1
12	101029-0906	ELASTIC CHECK RING	1
13	101029-0907	CLUTCH ASSY	1

## OIL PUMP/OIL FILTER



No.	Code	Name	Qty.
1	101029-0908	OIL FILTER COMP	1
2	101029-0909	OIL PIPE	1
3	101029-0910	SCREW M5×12	3
4	101029-0911	SPRING, OIL PIPE	1
5	101029-0912	OIL FILTER COVER	1
6	101029-0913	OPEN PIN	1
7	101029-0914	GASKET OIL FILTER	1
8	101029-0915	NUT	1
9	101029-0916	DISH WASHER, CLUTCH	1
10	101029-0917	OIL FILTER BODY	1
11	101029-0918	PRIMARY DRIVE GEAR	1
12	101029-0919	O-RING Ø9.4×2.4	2
13	101029-0920	SCREW M4×10	2
14	101029-0921	OIL PUMP COVER	1
15	101029-0922	INNER ROTOR, OIL PUMP	1
16	101029-0923	OUTER ROTOR, OIL PUMP	1
17	101029-0924	OIL PUMP BODY	1
18	101029-0925	PIN Ø2.5×10	1
19	101029-0926	SHAFT, OIL PUMP	1
20	101029-0927	GEAR, OIL PUMP	1
21	101029-0928	CIRCLIP 6	1
22	101029-0929	SCREW M6×30	2
23	101029-0930	OIL PUMP ASSY	1

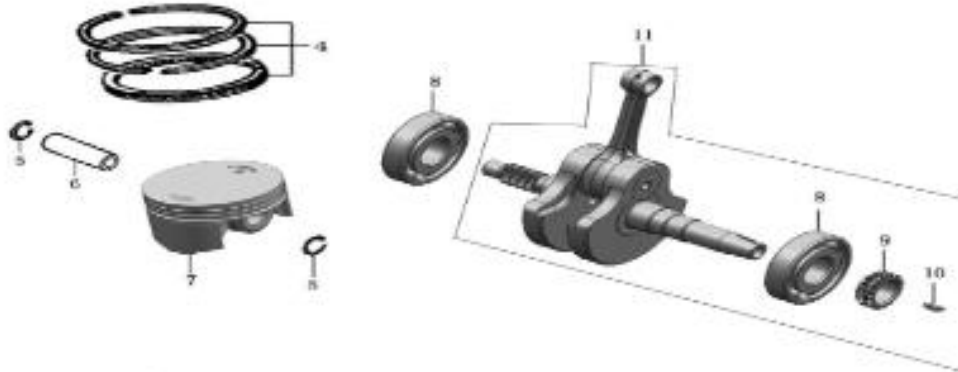
## CRANKCASE



No.	Code	Name	Qty.
1	101029-0931	BOLT M6×65	1
2	101029-0932	HOLDER, CLIUTCH CABLE	1
3	101029-0933	NUT M8	4
4	101029-0934	WASHER 8.5×2×18	4
5	101029-0935	CYLINDER STUD BOLT A	1
6	101029-0936	CYLINDER STUD BOLT A	1
7	101029-0937	CYLINDER STUD BOLT B	2
8	101029-0938	CLAMP	1
9	101029-0939	PIPE ASSY	1
10	101029-0940	BEARING (NK15×27×12)	1
11	101029-0941	PIN 10×14	4
12	101029-0942	BEARING (6006)	1
13	101029-0943	BEARING (HK21×28×10)	1
14	101029-0944	RIGHT CRANKCASE BLOCK	1
15	101029-0945	BEARING (TM6202Z)	1
16	101029-0946	BEARING (6204)	1
17	101029-0947	OIL SEAL 20×34×7	1
18	101029-0948	GASKET, CRANKCASE	1
19	101029-0949	LEFT CRANKCASE BLOCK	1
20	101029-0950	POSITION PLATE	1
21	101029-0951	BOLT M6×12	1
22	101029-0952	BOLT M6×50	2
23	101029-0953	BOLT M6×100	1
24	101029-0954	COVER, VALVE CHAMBER	1
25	101029-0955	O-RING 35×3	1
26	101029-0956	SPRING, OIL FILTER STRAINER	1
27	101029-0957	STRAINER, OIL FILTER	1
28	101029-0958	OIL-SEAL 14×28×7	1
29	101029-0959	PRESSING PIN BODY UPPER PIN	1

<b>No.</b>	<b>Code</b>	<b>Name</b>	<b>Qty.</b>
30	101029-0960	PRESSING PIN BODY SPRING	1
31	101029-0961	ASSEMBLY, CHAIN PROTECT PLATE	1
32	101029-0962	BOLT M6×16	2
34	101029-0964	ABSORBER SLEEVE	2
35	101029-0965	ABSORBER SLEEVE	2
36	101029-0966	ABSORBER SLEEVE	2
37	101029-0967	GEARSHIFT SWITCH COMP	1
38	101029-0968	SCREW	2
39	101029-0969	WASHER 12.1×2×20	1
40	101029-0970	OIL DRAIN PLUG	1
41	101029-0971	BOLT M6×60	1
42	101029-0972	BOLT M6×70	1

## CRANKSHAFT CONNECTING-ROD ASSY/PISTON

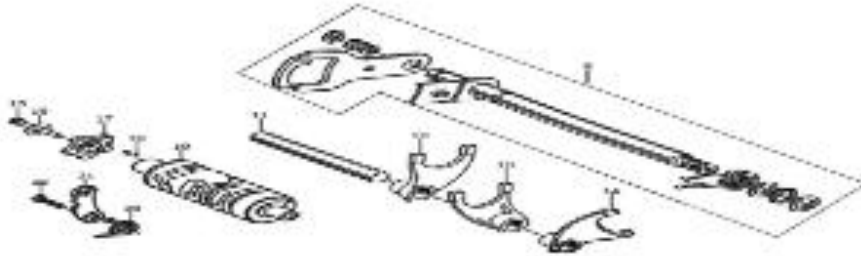


No.	Code	Name	Qty.
1	101029-0974	PISTON RING, 1	1
2	101029-0975	PISTON RING, 2	1
3	101029-0976	OIL RING, ASSY	1
4	101029-0977	PISTON RING, COMP	1
5	101029-0978	CHECK RING PISTON PIN	2
6	101029-0979	PIN, PISTON	1
7	101029-0980	PISTON	1
8	101029-0981	BEARING, (TM63/28X1E2/P5)	2
9	101029-0982	TIMING GEAR	1
10	101029-0983	SEMICIRCULAR KEY	1
11	101029-0984	CRANKSHAFT CONNECTING-ROD ASSY	1

## TRANSMISSION MECHANISM

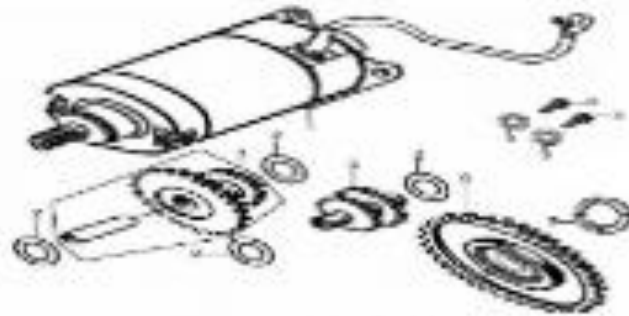
No.	Code	Name	Qty.
1	101029-0985	WASHER 15.2×1×25	1
2	101029-0986	GEAR M-2	1
3	101029-0987	GEAR M-5	1
4	101029-0988	WASHER	3
5	101029-0989	CIRCLI $\Phi$ 18.5×1.2× $\Phi$ 22.1	3
6	101029-0990	GEAR M-4	1
7	101029-0991	GEAR M-3	1
8	101029-0992	TRANSMISSION MAIN SHAFT	1
9	101029-0993	WASHER 20.2×0.5×27	1
10	101029-0994	FINAL SHAFT	1
11	101029-0995	WASHER 15.2×1×30	1
12	101029-0996	GEAR	1
13	101029-0997	GEAR BUSH	1
14	101029-0998	WASHER 16.5×0.5×24	2
15	101029-0999	GEAR C-1	1
16	101029-1000	GEAR BUSH	1
17	101029-1001	GEAR C-3	1
18	101029-1002	GEAR C-4	1
19	101029-1003	TRANSMISSION COUNTER SHAFT	1
20	101029-1004	GEAR C-5	1
21	101029-1005	GEAR C-2	1
22	101029-1006	WASHER 20×1×27	1
23	101029-1007	DRIVE SPROCKET	1
24	101029-1008	FIXING PLATE, DRIVE SPROCKET	1
25	101029-1009	BOLT M6×10	2
40	101029-1024	MAIN SHAFT, TRANSMISSION	1
41	101029-1025	COUTERSHAFT TRANSMISSION	1
42	101029-1026	TRANSMISSION MAIN, COUNTER SHAFT	1

## GEARSHIFT MECHANISM



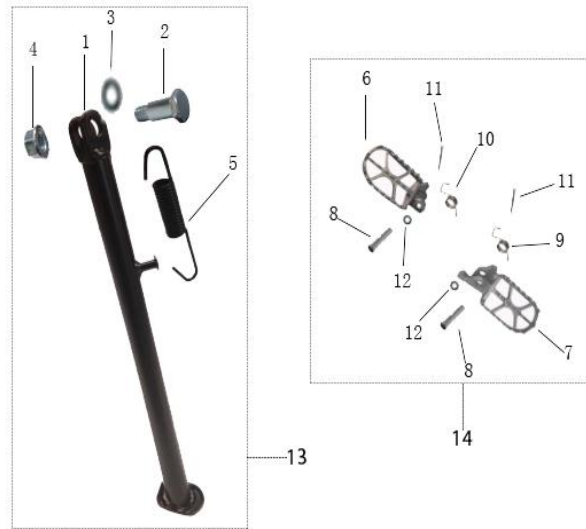
No.	Code	Name	Qty.
1	101029-1029	CIRCLIP 12	1
2	101029-1030	SPRING, GEARSHIFT PLATE	1
3	101029-1031	GEARSHIFT PLATE	1
4	101029-1032	GEARSHIFT SHAFT COMP	1
5	101029-1033	RETURN SPRING	1
6	101029-1034	WASHER 14×0.5×20	2
7	101029-1035	CIRCLIP 14	1
8	101029-1036	GEARSHIFT LEVER COMP	1
9	101029-1037	BOLT M6×20	1
10	101029-1038	GEARSHIFT SHAFT	1
11	101029-1039	SHAFT, GEARSHIFT FORK	1
12	101029-1040	RIGHT FORK, COUNTERSHAFT	1
13	101029-1041	CENTER FORK, MAINSHAFT	1
14	101029-1042	LEFT FORK, COUNTERSHAFT	1
15	101029-1043	BOLT M6×25	1
16	101029-1044	WASHER Ø6	1
17	101029-1045	STOPPING PLATE	1
18	101029-1046	PIN 4×10	1
19	101029-1047	GEARSHIFT DRUM	1
20	101029-1048	SPRING, LOCATING PLATE	1
21	101029-1049	LOCATING PLATE ASSY	1
22	101029-1050	BOLT M6×20	1

## ELECTRIC STARTING MECHANISM



No.	Code	Name	Qty.
1	101029-1058	STARTING MOTOR ASSY	1
2	101029-1059	WASHER 10.5×0.5×18	4
3	101029-1060	SHAFT, REDUCTION	1
4	101029-1061	GEAR, REDUCTION, 1	1
5	101029-1062	GEAR, REDUCTION, 2	1
6	101029-1063	PLATE GEAR ASSY	1
7	101029-1064	WASHER 22×9.5×34	1
8	101029-1065	BOLT M6×28	2
9	101029-1066	WASHER	2

## Sidestand & Footpegs Assy



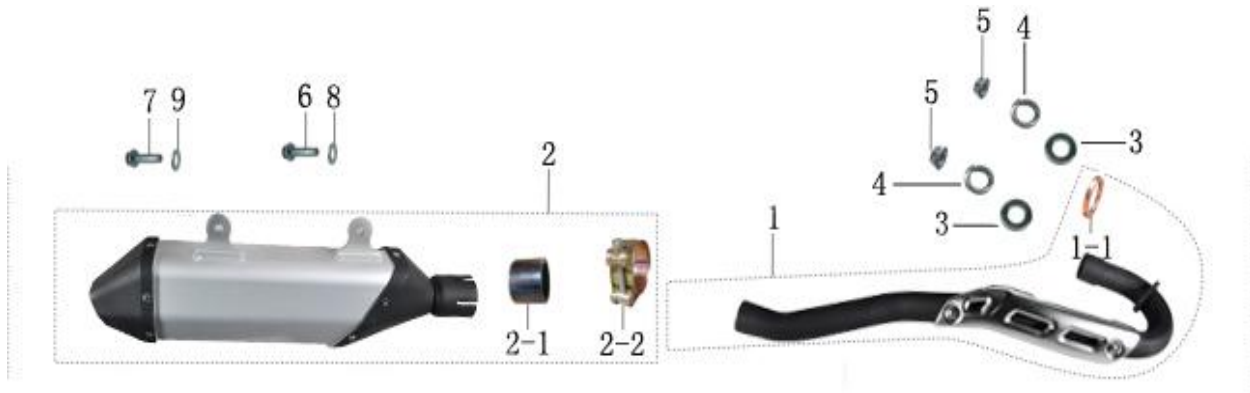
No.	Code	Name	Qty.
1	554000-0048	SIDE STAND	1
2	903020-0002	STEP BOLT-M10*35*1.5	1
2	903020-0002-03	STEP BOLT-M10*35*1.5	1
3	903002-0011	FLAT WASHER-Φ13*20*1.5	1
3	903002-0011-02	FLAT WASHER-Φ13*20*1.5	1
4	903007-0007	FLANGE LOCKNUT-M10*1.5	1
4	903007-0007-03	FLANGE LOCKNUT-M10*1.5	1
5	407002-0001	SIDE STAND SPRING	1
6	506003-0020	LEFT FOOTPEG	1
7	506003-0021	RIGHT FOOTPEG	1
8	904001-0005	HINGE PIN	2
9	407001-0011	RIGHT FOOTPEG SPRING	1
9	407001-0011-02	RIGHT FOOTPEG SPRING	1
10	407001-0010	LEFT FOOTPEG SPRING	1
10	407001-0010-02	LEFT FOOTPEG SPRING	1
11	904002-0002	COTTER PIN	2
11	904002-0002-03	COTTER PIN	2
12	903002-0007	FLAT WASHER-Φ10*16*1.5	2
12	903002-0007-02	FLAT WASHER-Φ10*16*1.5	2
13	C90002-0047	STRAIGHT SIDE STAND ASSEMBLY	1
14	C90002-0001-02	LEFT AND RIGHT FOOTPEG ASSEMBLY	1

## Carburetor and Air Filter Assy



No.	Code	Name	Qty.
1	102000-0032	CARBURETOR	1
2	105002-0010	AIR FILTER SPONGE	1
2	105002-0015	AIR FILTER SPONGE	1
3	903018-0003	FLANGE BOLT-M6*12	2
3	903018-0003-03	FLANGE BOLT-M6*12	2
4	906001-0004	HOOP	1
5	105003-0019	AIR FILTER INLET PIPE	1

## Muffler Assy



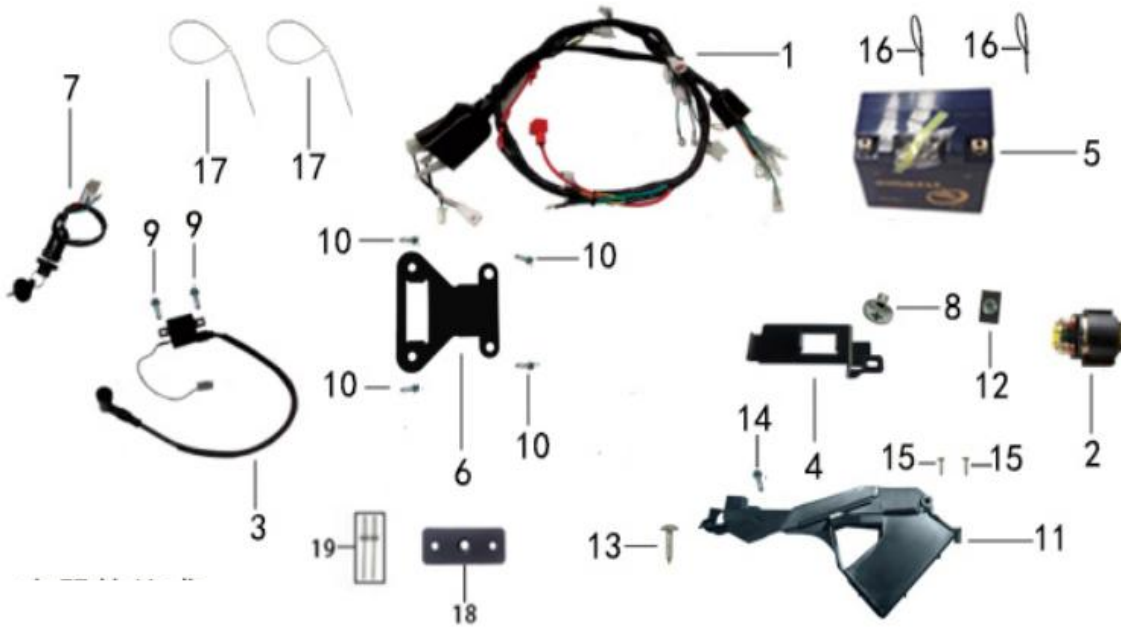
No.	Code	Name	Qty.
1	106001-0081	EXHAUST PIPE	1
1-2	106003-0001	EXHAUST PIPE SEALING RING	1
2	106002-0012	MUFFLER	1
2-1	106006-0001	MUFFLER GRAPHITE BUSH	1
2-2	906001-0003	HOOP	1
3	903002-0004	FLAT WASHER-Φ8*16*1.5	2
3	903002-0004-03	FLAT WASHER-Φ8*16*1.5	2
4	903001-0004	SPRING WASHER-Φ8*13*2	2
4	903001-0003-02	SPRING WASHER-Φ8*13*2	2
5	903007-0005	FLANGE LOCKNUT-M8	2
6	903019-0013	FLANGE BOLT-M8*20	1
6	903019-0013-03	FLANGE BOLT-M8*20	1
7	903019-0016	FLANGE BOLT-M8*30	1
7	903019-0016-03	FLANGE BOLT-M8*30	1
8	902001-0011	FLAT BUSH-Φ8.2*16*H4	1
9	902001-0009	FLAT BUSH-Φ8*20*H14	1

## Headlight Assy



No.	Code	Name	Qty.
1	308001-0005	HEADLIGHT ASSY.	1
1	308001-0035	HEADLIGHT ASSY.	1
1-1	308006-0023	HEADLIGHT COVER	1
1-2	308005-0010	HEADLIGHT BULB	1
2	315008-0007	HEADLIGHT UPPER BRACKET	1
3	315011-0002	SPEEDMETER LOWER BRACKET	1
3	315008-0024-02	FRONT LIGHT LOWER BRACKET	1
4	903018-0003	FLANGE BOLT-M6*12	2
4	903018-0003-03	FLANGE BOLT-M6*12	2
5	903018-0004	FLANGE BOLT-M6*16	5
5	903018-0004-03	FLANGE BOLT-M6*16	5
6	902001-0001	FLAT BUSHING	2
7	908007-0010	RUBBER RING	2
8	903002-0002	FLAT WASHER-Φ6*18*1.5	4
8	903002-0002-03	FLAT WASHER-Φ6*18*1.5	4
9	903006-0002	FLANGE NUT-M6	4
9	903006-0002-03	FLANGE NUT-M6	4
10	801010-0022	WIRE CLIP	1

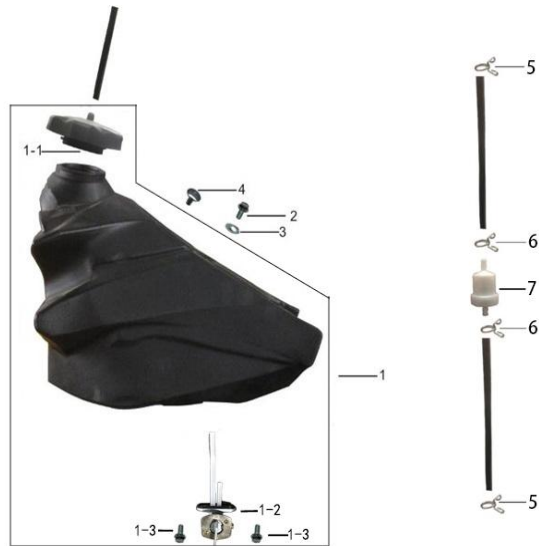
## Electric Component Assy



No.	Code	Name	Qty.
1	309001-0115	MAIN CABLE	1
2	301001-0001	RELAY	1
3	306001-0011	WATERPROOF IGNITION COIL	1
4	315012-0014	BATTERY FIX BRACKET	1
4	315012-0034	BATTERY FIX BRACKET	1
4	315012-0039	BATTERY HOLDER	1
4	315012-0039-02	BATTERY HOLDER	1
5	312001-0026	LITHIUM BATTERY	1
5	312001-0007	LITHIUM BATTERY	1
5	312001-0027	BATTERY	1
5	312001-0027-02	BATTERY	1
6	315001-0003	ELECTRIC PARTS BRACKET	1
6	315001-0007	ELECTRIC PARTS BRACKET	1
7	314001-0012	ELECTRIC LOCK	1
7	314001-0012-03	ELECTRIC LOCK	1
8	903006-0002	FLANGE NUT-M6	1
8	903006-0002-03	FLANGE NUT-M6	1
9	903018-0005	FLANGE BOLT-M6*20	2
9	903018-0005-03	FLANGE BOLT-M6*20	2
10	903018-0003	FLANGE BOLT-M6*12	4
10	903018-0003-03	FLANGE BOLT-M6*12	4

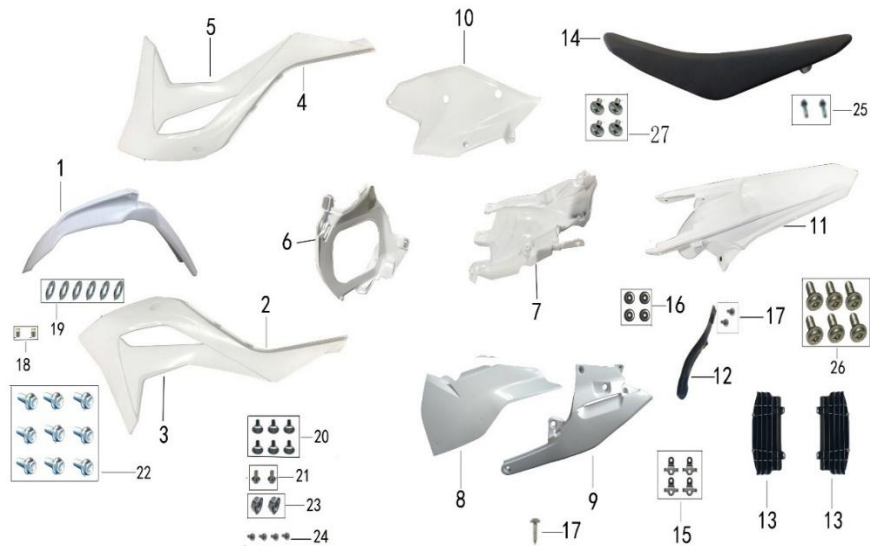
No.	Code	Name	Qty.
10	903011-0002-03	CROSS RECESSED COUNTERSUNK HEAD MACHINE SCREW GB819 M6*12	4
11	908007-0033	BATTERY BOX	1
11	908007-0033-02	BATTERY BOX	1
12	903008-0020	NUT-M6	1
12	903008-0020-03	NUT-M6	1
13	903010-0006	TAPPING SCREW-ST4.8*12	1
13	903010-0006-03	TAPPING SCREW-ST4.8*12	1
14	903020-0023	BOLT-M6*16	1
15	903010-0006	TAPPING SCREW- ST4.8*12	2
15	903010-0006-03	TAPPING SCREW- ST4.8*12	2
16	906003-0002	PLASTIC BELT	2
17	906003-0005	PLASTIC BELT	2
18	315012-0033	BATTERY FASTENER	1
19	905001-0003	RIVET	2

## Fuel Tank Assy



No.	Code	Name	Qty.
1	805001-0022	FUEL TANK ASSY	1
1	805001-0022-02	FUEL TANK ASSY	1
1-1	805003-0015	FUEL TANK CAP	1
1-2	805004-0021	FUEL TANK SWITCH	1
1-3	903020-0022	SCREW-M5*10	2
2	903018-0004	FLANGE BOLT-M6*16	1
2	903018-0004-03	FLANGE BOLT-M6*16	1
3	903002-0002	FLAT WASHER-Φ6*18*1.5	1
3	903002-0002-03	FLAT WASHER-Φ6*18*1.5	1
4	903012-0003	SCREW-TM5*16	1
4	903012-0003-03	SCREW-TM5*16	1
5	906002-0002	TUBE CLIP	2
6	906002-0001	TUBE CLIP	2
7	108001-0002	FUEL FILTER	1

## Plastic Assy



No.	Code	Name	Qty.
1	801010-0012	FRONT MUD GUARD	1
2	801011-0024	FRONT LEFT COVER(UP)	1
2	801011-0024-03	FRONT LEFT COVER(UP)	1
3	801011-0025	FRONT LEFT COVER(DOWN)	1
3	801011-0025-03	FRONT LEFT COVER(DOWN)	1
4	801011-0026	FRONT RIGHT COVER(UP)	1
4	801011-0026-03	FRONT RIGHT COVER(UP)	1
5	801011-0027	FRONT RIGHT COVER(DOWN)	1
5	801011-0027-03	FRONT RIGHT COVER(DOWN)	1
6	801011-0028	AIR FILTER FRONT COVER PLATE	1
6	801011-0028-03	AIR FILTER FRONT COVER PLATE	1
7	801011-0029	AIR FILTER LOWER COVER PLATE	1
7	801011-0029-03	AIR FILTER LOWER COVER PLATE	1
8	801011-0030	AIR FILTER LEFT UPPER COVER	1
8	801011-0030-03	AIR FILTER LEFT UPPER COVER	1
9	801011-0031	AIR FILTER LEFT LOWER COVER	1
9	801011-0031-03	AIR FILTER LEFT LOWER COVER	1
10	801011-0032	REAR RIGHT COVER	1
10	801011-0032-03	REAR RIGHT COVER	1
11	801011-0033	REAR MUD GUARD	1
11	801011-0033-03	REAR MUD GUARD	1
12	801011-0034	FENDER	1
12	801011-0034-02	FENDER	1

13	801011-0022	WATER COOLER COVER	2
14	701000-0038	SEAT ASSY.	1
14	701000-0038-02	SEAT ASSY.	1
15	555000-0163	BRACKET	4
16	908007-0034	ROUND BUCKLE	4
17	903010-0009	SCREW-ST6.3*16	3
17	903010-0009-02	SCREW-ST6.3*16	3
18	902001-0001	FLAT BUSHING- $\Phi$ 6.2*8.2*H7	2
19	903002-0002	FLAT WASHER- $\Phi$ 6*18*1.5	6
19	903002-0002-03	FLAT WASHER- $\Phi$ 6*18*1.5	6
20	903020-0022	BOLT-M5*10	6
21	903018-0004	FLANGE BOLT-M6*16	2
21	903018-0004-03	FLANGE BOLT-M6*16	2
22	903018-0003	FLANGE BOLT-M6*12	9
22	903018-0003-03	FLANGE BOLT-M6*12	9
23	903006-0002	FLANGE NUT-M6	2
23	903006-0002-03	FLANGE NUT-M6	2
24	903012-0011	SCREW- TM6*10	4
24	903012-0011-03	SCREW- TM6*10	4
25	903019-0007	BOLT-M6*25	2
26	903020-0023	SCREW-M6*16	6
27	903012-0006	SCREW-TM6*12	4
27	903012-0006-03	SCREW-TM6*12	4
	C90002-0190	PLASTIC PARTS	1

## Sticker Assy



No.	Code	Name	Qty.
1	802019-0006	STICKER	1
1	802019-0005	STICKER	1
1	802019-0005-03	STICKER	1
2	802019-0004	HANDLEBAR PAD COVER	1
2	802019-0002	HANDLEBAR PAD COVER	1