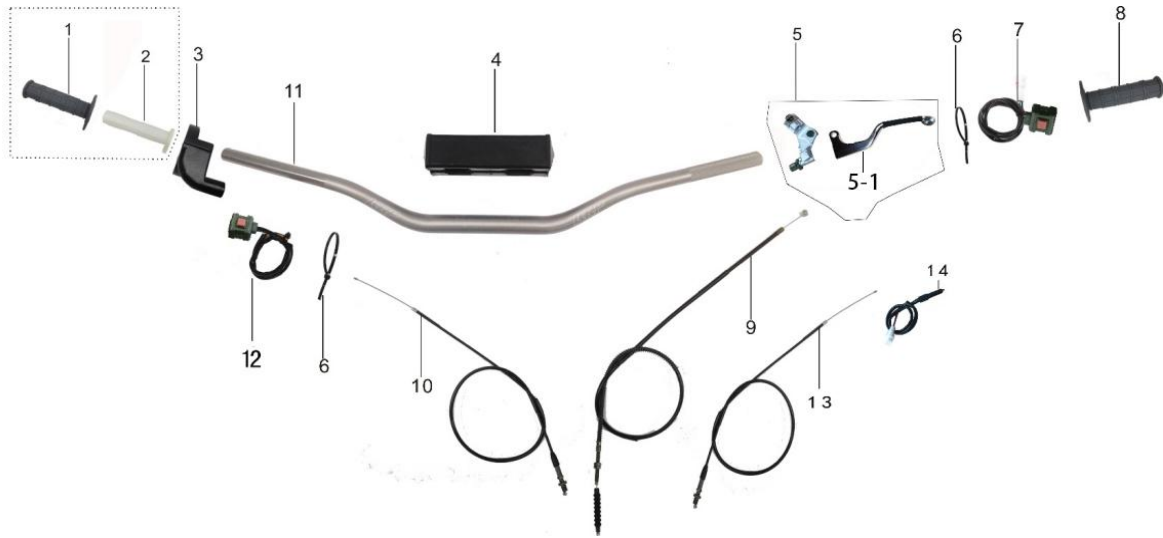


K2 Parts Catalog

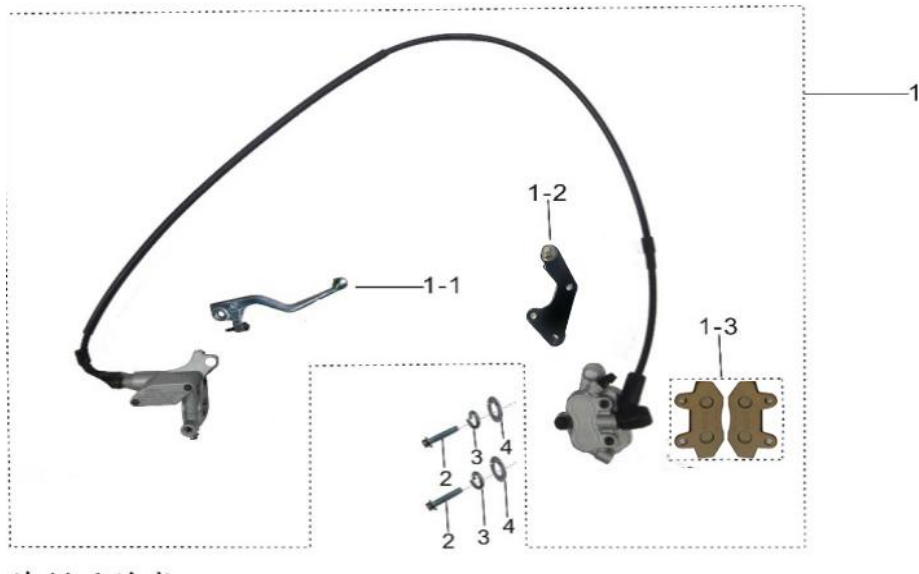


Handlebar Assy



No.	Code	Name	Qty.
1	602006-0019	RIGHT HANDLE BAR GRIP	1
2	602012-0001	THROTTLE TUBE	1
3	602011-0003	THROTTLE PERCH	1
4	602017-0005	HANDLE BAR PAD	1
5	602007-0020	CLUTCH LEVER ASSY.	1
5	602007-0020-02	CLUTCH LEVER ASSY.	1
5-1	602009-0008	CLUTCH LEVER	1
6	906003-0002	PLASTIC BELT	2
7	313003-0013	STOP SWITCH	1
8	602006-0018	LEFT HANDLE BAR GRIP	1
9	602013-0018	CLUTCH CABLE BLACK	1
10	602014-0018	THROTTLE CABLE BLACK	1
11	602002-0021	ALUMINUM HANDLE BAR	1
11	602002-0025	ALUMINIUM HANDLEBAR	1
11	602002-0025-03	ALUMINIUM HANDLEBAR	1
12	313002-0005	START SWITCH	1
13	602015-0008	CHOKER CABLE	1
14	602007-0016-02	CLUTCH CABLE	1

Front Brake Assy



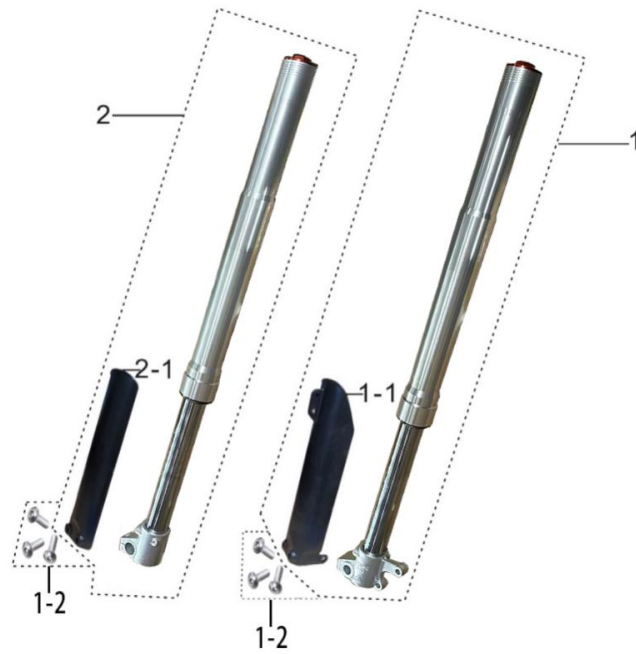
No.	Code	Name	Qty.
1	404000-0110	FRONT BRAKE ASSY	1
1-1	404002-0024	FRONT BRAKE LEVER	1
1-2	404008-0004	FRONT BRAKE BRACKET	1
1-3	404007-0019	FRONT BRAKE PAD	1
2	903018-0012	FLANGE BOLT-M8*40	2
2	903018-0012-03	FLANGE BOLT-M8*40	2
3	903001-0004	SPRING WASHER-Φ8*13*2	2
3	903001-0003-02	SPRING WASHER-Φ8*13*2	2
4	903002-0004	FLAT WAHSER-Φ8*16*1.5	2
4	903002-0004-03	FLAT WAHSER-Φ8*16*1.5	2

Rear Brake Assy



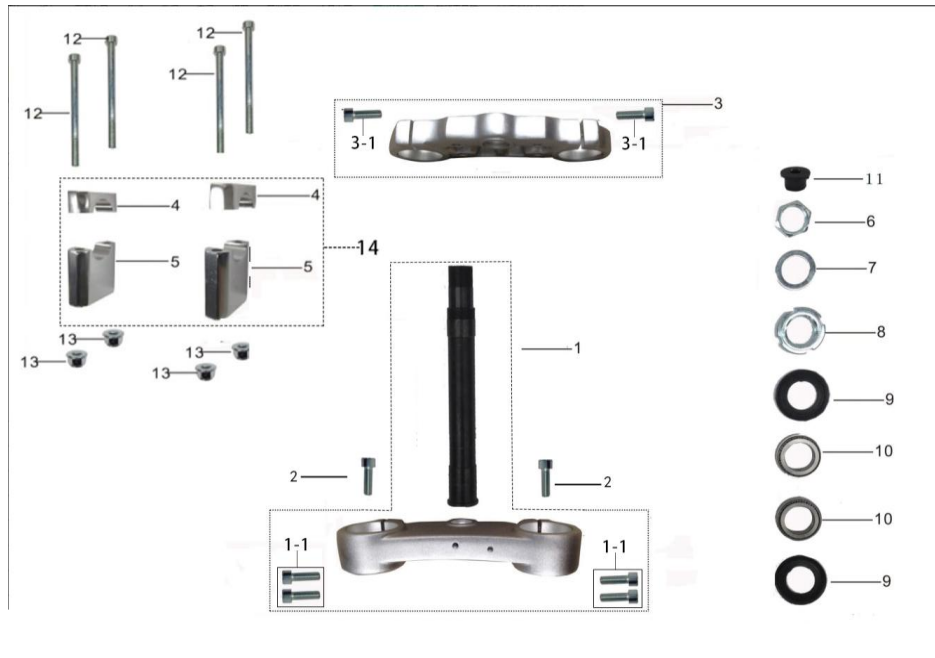
No	Code	Name	Qty.
1	405000-0073	REAR BRAKE ASSY.	1
1	405000-0133	REAR BRAKE ASSY	1
1-1	405009-0013	REAR BRAKE BRACKET	1
1-2	405008-0015	REAR BRAKE PAD	1
2	903015-0003	BOLT-M6*20	2
2	903015-0003-03	SCREW-M6*20	2

Front Shock Assy



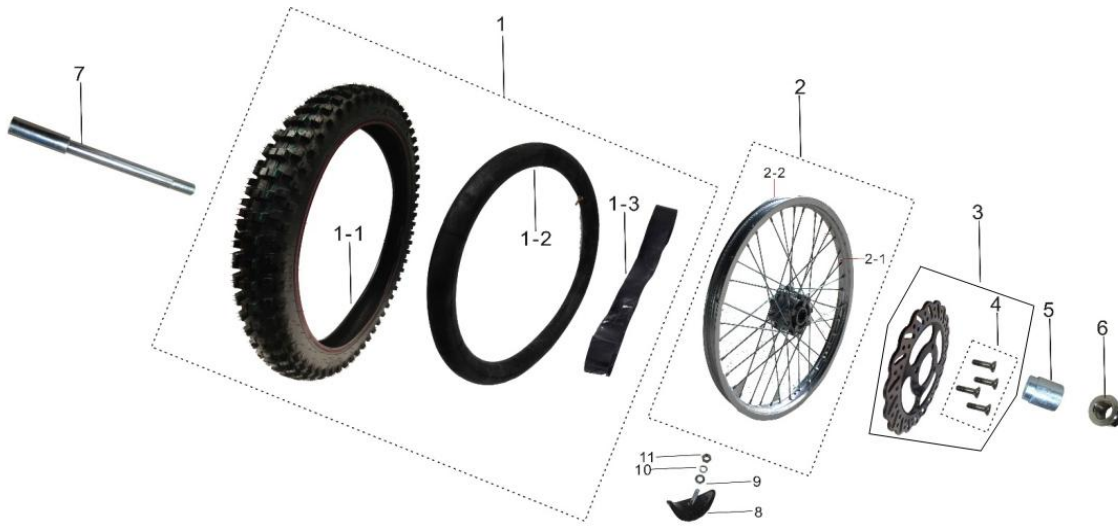
No.	Code	Name	Qty.
1	501000-0047	FRONT LEFT FORK	1
1-1	501001-0003	LEFT FRONT FORK PROTECTOR	1
1-2	903015-0002	SCREW-M6*16	6
2	501000-0048	FRONT RIGHT FORK	1
2-1	501001-0004	FRONT RIGHT FORK PROTECTOR	1

Coupling plate Assy



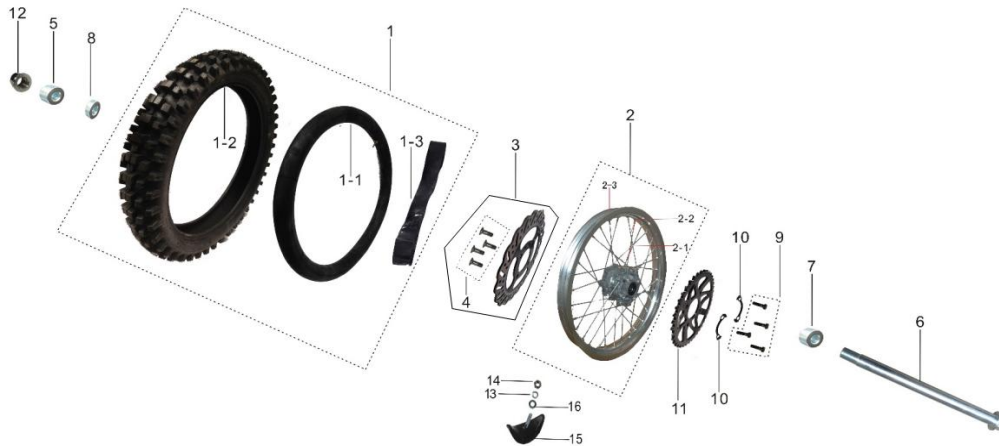
No.	Code	Name	Qty.
1	601002-0016	LOWER CLAMP ASSY	1
1-1	903013-0008	SCREW-M6*20	4
2	903013-0017	SCREW-M8*16	2
2	903013-0017-03	SCREW-M8*16	2
3	601001-0006-02	UPPER CLAMP	1
3-1	903013-0018	SCREW-M8*20	2
4	601003-0002-03	UPPER RAISER	2
5	601004-0003-03	LOWER RAISER	2
6	601005-0002	NUT-M26*1	1
7	601005-0014	WASHER- Φ 27*40*1.5	1
8	601005-0006	LOCKING NUT- M30*1*H12	1
9	601005-0010	DUST SEAL	2
10	907002-0008	BEARING	2
11	908004-0004	PLUG	1
12	903013-0033	SCREW-M8*110	4
12	903013-0033-03	SCREW-M8*110	4
13	903007-0005	NUT-M8	4
14	C90002-0007	UPPER AND LOWER CLAMPING BLOCK ASSEMBLY	1

Front Wheel Assy



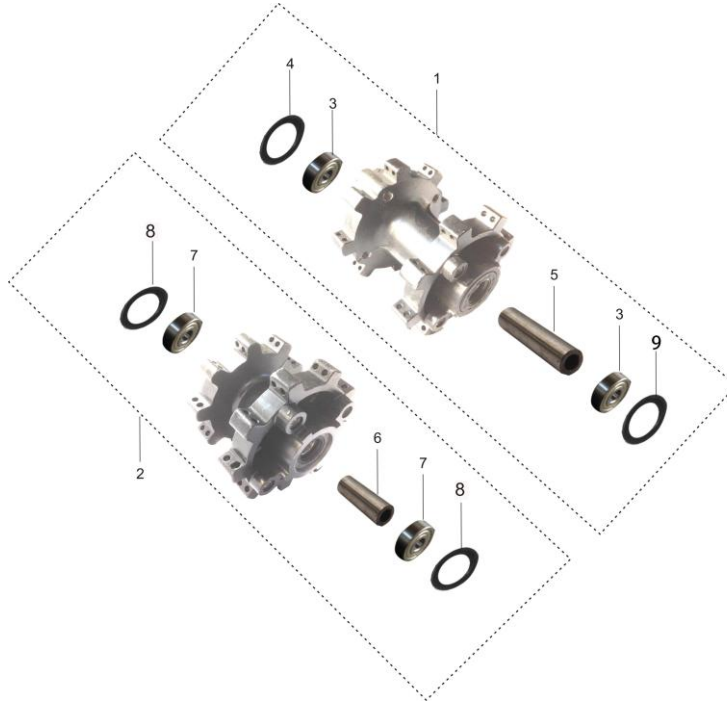
No.	Code	Name	Qty.
1	401005-0013	FRONT TYRE ASSY	1
1-1	401006-0011	OUTER TYRE	1
1-2	401007-0006	INNER TUBE	1
1-3	401008-0007	LINING BELT	1
2	401000-0069	FRONT RIM ASSY	1
2-1	401004-0012	OUTER SPOKE ASSY	36
2-2	401001-0009	ALLOY RIM	1
	404001-0011	FRONT BRAKE DISC	1
3	404001-0018	FRONT BRAKE DISC	1
4	903016-0003	SCREW-M8*26	4
4	903016-0003-03	SCREW-M8*26	4
5	902002-0039	STEP BUSH	1
6	903007-0009	LOCK NUT-M14*1.5	1
6	903007-0009-02	LOCK NUT-M14*1.5	1
7	901002-0007	AXLE	1
8	401010-0004	RIM LOCK	1
9	903002-0004	FLAT WAHSER-Φ8*16*1.5	1
9	903002-0004-03	FLAT WAHSER-Φ8*16*1.5	1
10	903001-0004	SPRING WASHER-Φ8*13*2	1
10	903001-0003-02	SPRING WASHER-Φ8*13*2	1
11	903005-0007	NUT-M8	1
11	903005-0006-06	NUT-M8	1
	C90002-0106	FRONT WHEEL ASSY	1

Rear Wheel Assy



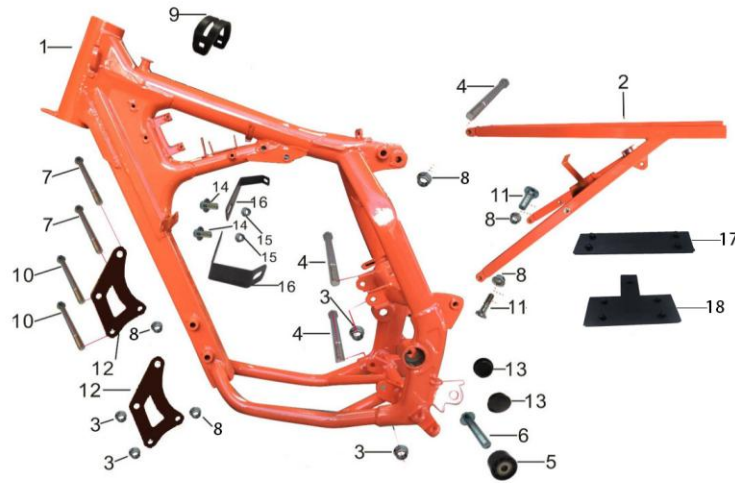
No.	Code	Name	Qty.
1	402005-0015	REAR TYRE ASSY	1
1-1	402007-0005	INNER TYRE	1
1-2	402006-0008	OUTER TYRE	1
1-3	401008-0005	LINING BELT	1
2	402000-0077	REAR RIM ASSY	1
2-1	402004-0016	OUTER SPOKE ASSY	16
2-2	402004-0015	INNER SPOKE ASSY	16
2-3	402001-0015	ALLOY RIM	1
3	405001-0005	REAR BRAKE DISC	1
3	405001-0016	REAR BRAKE DISC	1
4	903020-0004	STEP BOLT-M8*35*4	4
5	902001-0058	FLAT BUSH-Φ15*25*H11	1
6	901001-0033	FLANGE AXLE	1
7	902001-0063	FLAT BUSH-Φ15*25*H21	1
8	902001-0073	FLAT BUSH-Φ15.2*25*H8	1
9	903017-0013	BOLT-M10*40*1.5	4
10	906004-0002	REAR SPROCKET LOCK WASHER	2
11	205001-0022	REAR STEEL SPROCKET	1
11	205001-0051	REAR STEEL SPROCKET	1
12	903007-0009	LOCK NUT-M14*1.5	1
12	903007-0009-02	LOCK NUT-M14*1.5	1
13	903001-0004	SPRING WASHER-Φ8*13*2	1
13	903001-0003-02	SPRING WASHER-Φ8*13*2	1
14	903005-0007	NUT-M8	1
14	903005-0006-06	NUT-M8	1
15	401010-0005	RIM LOCK	1
16	903002-0004	FLAT WAHSER-Φ8*16*1.5	1
16	903002-0004-03	FLAT WAHSER-Φ8*16*1.5	1
	C90002-0107	REAR WHEEL ASSY	1

Front and Rear Wheel Hub Assy



No.	Code	Name	Qty.
1	401003-0015	REAR HUB	1
2	402003-0019	FRONT HUB	1
3	907001-0018	BEARING	2
4	908001-0014	OIL SEAL	1
5	902001-0099	HUB BUSH	1
6	902001-0100	HUB BUSH	1
7	907001-0020	BEARING	2
8	908001-0009	OIL SEAL	2
9	908001-0025	OIL SEAL	1

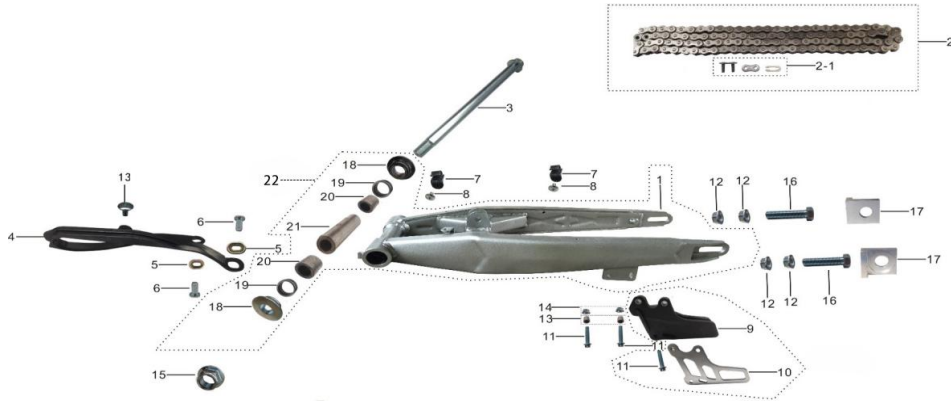
Frame Assy



No.	Code	Name	Qty.
1	551000-0065-01	FRAME ASSY.	1
1	551000-0149-01	FRAME ASSY.	1
2	552000-0031-01	SUB FRAME ASSY.	1
2	552000-0039-01	SUB FRAME ASSY.	1
2	552000-0042-01	SUB FRAME ASSY.	1
2	552000-0042-03	SUB FRAME ASSY.	1
3	903007-0006	FLANGE LOCK NUT-M10*1.25	4
3	903007-0006-02	FLANGE LOCK NUT-M10*1.25	4
4	903018-0018	FLANGE BOLT- M8*70	3
4	903018-0018-02	FLANGE BOLT- M8*70	3
5	203004-0016	SPROCKET	1
6	903019-0017	FLANGE BOLT-M8*30	1
6	903019-0017-03	FLANGE BOLT-M8*30	1
7	903018-0020	FLANGE BOLT-M8*90	2
7	903018-0020-02	FLANGE BOLT-M8*90	2
8	903007-0005	LOCKNUT-M8	5
8	903006-0003-03	RUBBER WASHER	2
9	908003-0007	FLANGE BOLT-M10*90*1.25	1
10	903019-0023	SCREW-M8*26	2
11	903016-0003	SCREW-M8*26	2
11	903016-0003-03	SCREW-M8*26	2
11	903020-0057	SCREW-M8*25	2
12	555000-0104	ENGINE FRONT MOUNT WASHER	2

13	908004-0008	SWING ARM CAP	2
14	903019-0004	FLANGE BOLT-M6*16	2
15	903007-0003	LOCK NUT-M6	2
16	555000-0107	FRONT FENDER BRACKET	2
17	908003-0017	BATTERY UPPER RUBBER PAD	1
17	908003-0017-02	BATTERY UPPER RUBBER PAD	1
18	908003-0018	BATTERY LOWER RUBBER PAD	1
18	908003-0018-02	BATTERY LOWER RUBBER PAD	1

Flat Fork Assy



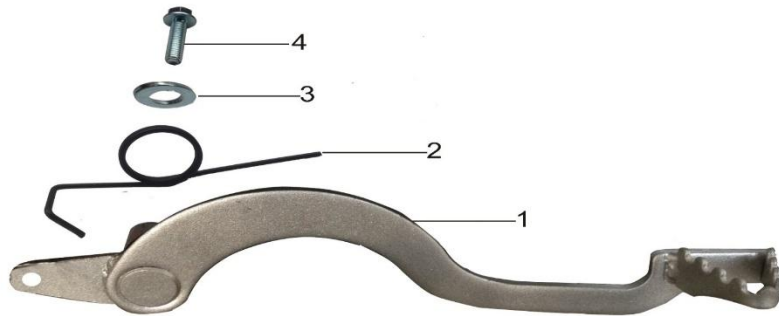
No.	Code	Name	Qty.
1	553000-0016-01	SWING ARM	1
1	553000-0072-01	SWING ARM	1
2	203000-0072	CHAIN	1
2-1	203001-0006	CHAIN LINKAGE GREY	1
3	901001-0038	AXLE	1
4	203004-0018	CHAIN SLIDER	1
5	903003-0006	WASHER	2
6	903009-0010	SCREW-M6*12	2
6	903009-0010-03	SCREW-M6*12	2
7	405010-0001	REAR BRAKE HOSE CLIP	2
8	903012-0006	SCREW-TM6*12	2
8	903012-0006-03	SCREW-TM6*12	2
9	203004-0001	CHAIN GUARD PLASTIC	1
10	203004-0002	CHAIN GUARD SLICE	1
11	903018-0008	FLANGE BOLT-M6*40	3
11	903018-0008-03	FLANGE BOLT-M6*40	3
12	903005-0006	NUT-M8	4
12	903005-0006-02	NUT-M8	4
13	902001-0016	BUSH-Φ8.5*16*H8	2
14	903007-0003	LOCK NUT-M6	2
15	903007-0011	FLANGE LOCK NUT-M16*1.5	1
15	903007-0011-02	FLANGE LOCK NUT-M16*1.5	1
16	903017-0010	BOLT-M8*70	2
16	903017-0010-03	BOLT-M8*70	2
17	203002-0001-06	CHAIN ADJUSTER	2
18	902002-0040	STEP BUSH	2
18	908005-0004	O RING-Φ28*3.1	2
19	907002-0004	BEARING	2
20	902001-0078	BUSH-Φ17*22*H20	2
21	902001-0082	BUSH-Φ18*22*H125	1
22	C90002-0147	STRAIGHT SWINGARM ASSEMBLY	1

Rear Shock Absorber Assy



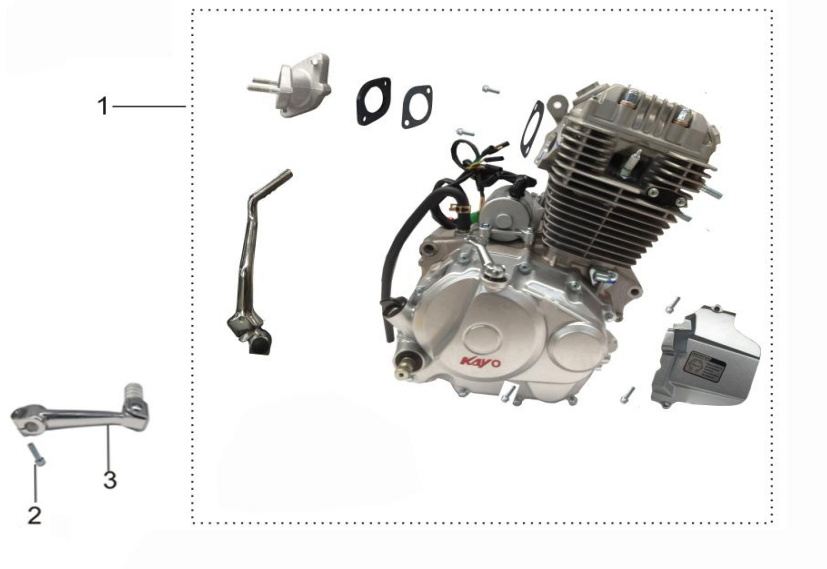
No.	Code	Name	Qty.
1	502000-0036-02	REAR SHOCK	1
2	903019-0022	FLANGE BOLT-M10*45*1.25	1
3	903007-0006	FLANGE LOCK NUT-M10*1.25	1
3	903007-0006-02	FLANGE LOCK NUT-M10*1.25	1
4	903013-0046	SCREW-M10*45*1.25	1
4	903013-0046-02	SCREW-M10*45*1.25	1

Brake Pedal Assy



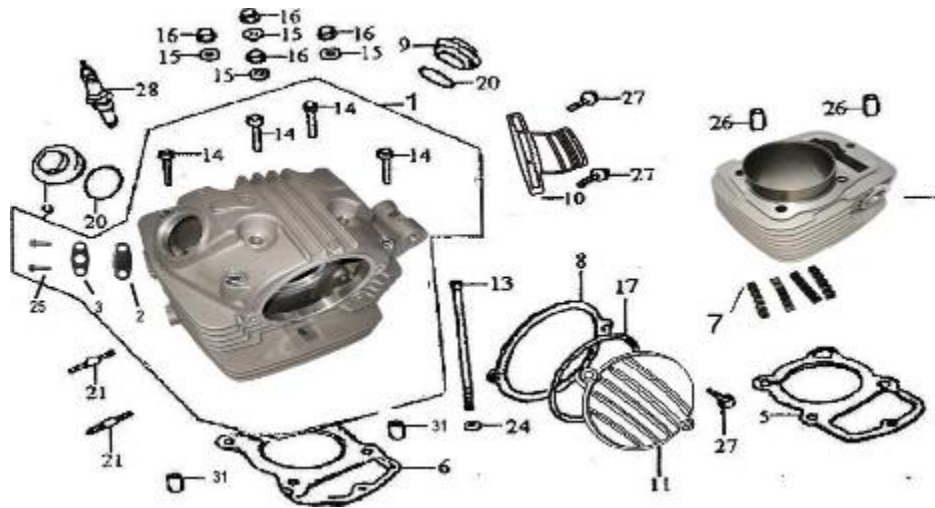
No.	Code	Name	Qty.
1	406001-0010-03	UP GOING BRAKE PEDAL	1
1	406001-0048	BRAKE PEDAL	1
2	407003-0006	UP GOING BRAKE SPRING	1
3	903002-0005	WASHER- $\Phi 8 \times 28 \times 1.5$	1
3	903002-0005-03	WASHER- $\Phi 8 \times 28 \times 1.5$	1
4	903019-0012	FLANGE BOLT-M8*16	1
4	903019-0012-03	FLANGE BOLT-M8*16	1
	C90002-0172	BRAKE PEDAL ASSEMBLY	1

Engine Assy



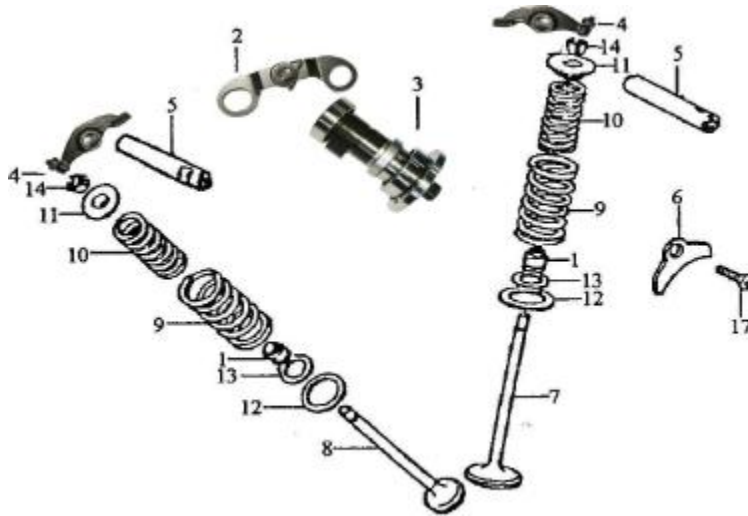
No.	Code	Name	Qty.
1	101000-0436-02	ENGINE ASSY.	1
2	903013-0009	SCREW	1
3	201002-0024	GEARSHIFT LEVER	1

CYLINDER HEAD ASSY



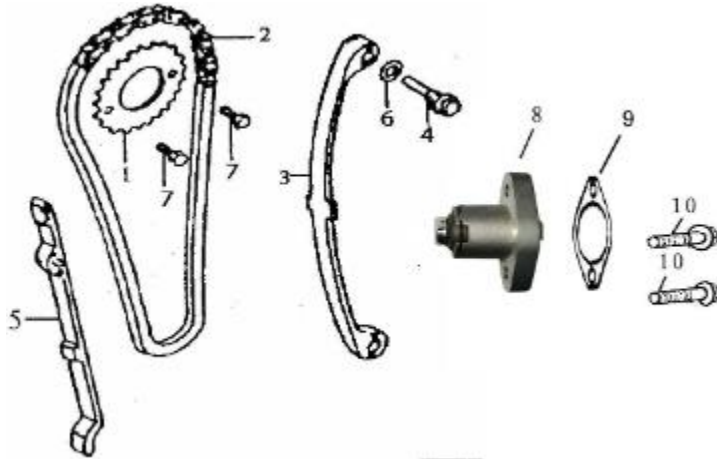
No.	Code	Name	Qty.
1	101024-0246	CYLINDER HEAD COMPONENT	1
2	101024-0501	PRESS PLATE. SECOND ENVIRONMENTAL PROTECTION	1
3	101024-0510	GASKET, SECONDARY INJECTION PIPE	1
4	101024-0249	CYLINDER	1
5	101024-0250	CYLINDER GASKET	1
6	101024-0251	CYLINDER HEAD GASKET	1
7	101024-0500	CYLINDER DAMPING RUBBER A	4
8	101024-0253	CYLINDER HEAD LEFT COVER GASKET	1
9	101024-0254	VALVE COVER	2
10	101024-0255	INTAKE PIPE	1
11	101024-0256	CYLINDER HEAD LEFT COVER	1
13	101024-0514	SCREW, HEXAGON SOCKET HEAD	1
14	101024-0527	BOLT-M6×35	4
15	101024-0517	CAP TYPE NUT-M6	4
16	101024-0015	COPPER WASHER	4
17	101024-0262	O-SEAL RING	1
20	101024-0265	O-SEAL RING	2
21	101024-0266	DOUBLE SCREW BOLTS	2
24	101024-0296	ALUMINUM WASHER	1
25	101024-0519	BOLT	2
26	101024-0394	DOWEL PIN	2
27	101024-0520	BOLT	4
28	101024-0273	SPARK PLUG	1
31	101024-0271	DOWEL PIN	2

Camshaft & Valves



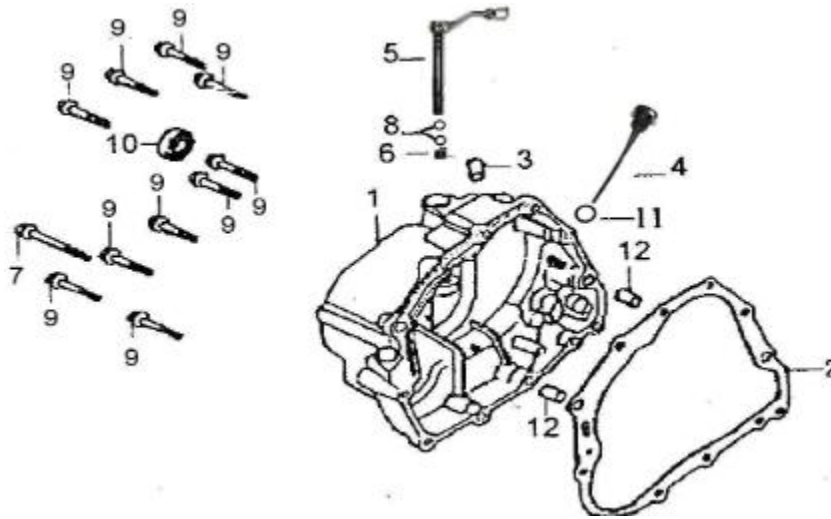
No.	Code	Name	Qty.
1	101024-0274	OIL SEAL, VALVE STEM ASSEMBLY	2
2	101024-0485	LIMIT PLATE COMPONENT	1
3	101024-0276	CAMSHAFT COMPONENT	1
4	101024-0277	VALVE ROCKER ARM COMPONENT	2
5	101024-0278	ROCKSHAFT	2
6	101024-0279	ROCKER ARM SHAFT LIMIT PLATE	1
7	101024-0280	INTAKE VALVE	1
8	101024-0281	EXHAUST VALVE	1
9	101024-0282	VALVE OUTER SPRING	2
10	101024-0283	VALVE INNER SPRING	2
11	101024-0284	VALVE INNER AND OUTER SPRING SEAT	2
12	101024-0285	VALVE OUTER SPRING SEAT	2
13	101024-0286	VALVE INNER SPRING SEAT	2
14	101024-0287	VALVE CLIPER	4
17	101024-0516	CROSS RECESSED COUNTERSUNK HEAD SCREW	1

TIMING CHAIN



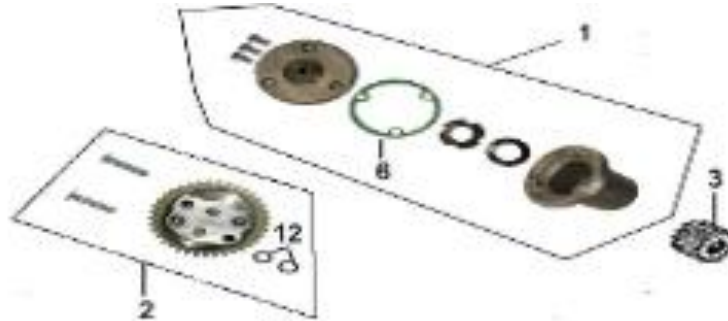
No.	Code	Name	Qty.
1	101024-0291	TIMING DRIVEN SPROCKET	1
2	101024-0292	TIMING CHAIN	1
3	101024-0293	STARTER CHAIN GUIDE	1
4	101024-0294	CHAIN TENSIONER MANDREL	1
5	101024-0295	GUIDE PLATE, CHAIN	1
6	101024-0507	ALUMINUM WASHER	1
7	101024-0528	TIMING SPROCKET BOLT	2
8	101024-0298	TENSIONER COMPONENT	1
9	101024-0299	TENSIONER SEAL	1
10	101024-0513	SCREW, HEXAGON SOCKET HEAD	2

Right Crankcase Cover



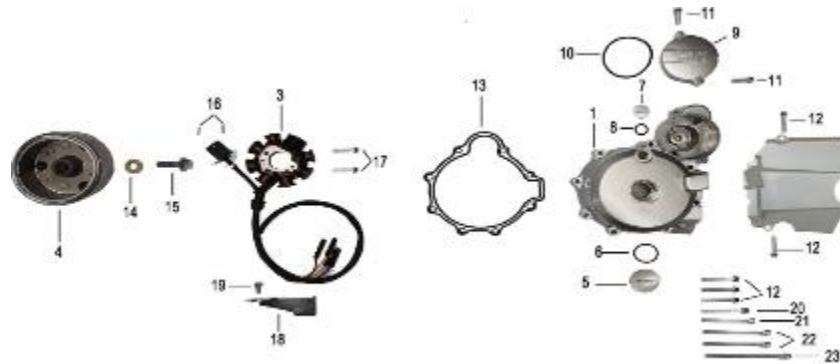
No.	Code	Name	Qty.
1	101024-0301-02	RIGHT CRANKCASE COVER	1
2	101024-0302	RIGHT CRANKCASE COVER GASKET	1
3	101024-0313	CYLINDRICAL PIN	1
4	101024-0304	DIPSTICK	1
5	101024-0305	OPERATING SHAFT, CLUTCH	1
6	101024-0306	SPRING, OPERATING SHAFT	1
7	101024-0523	BOLT	1
8	101024-0308	O-SEAL RING	2
9	101024-0522	BOLT	10
10	101024-0310	OIL SEAL	1
11	101024-0311	O-SEAL RING	1
12	101024-0312	DOWEL PIN	2

Oil pump & Oil Filter



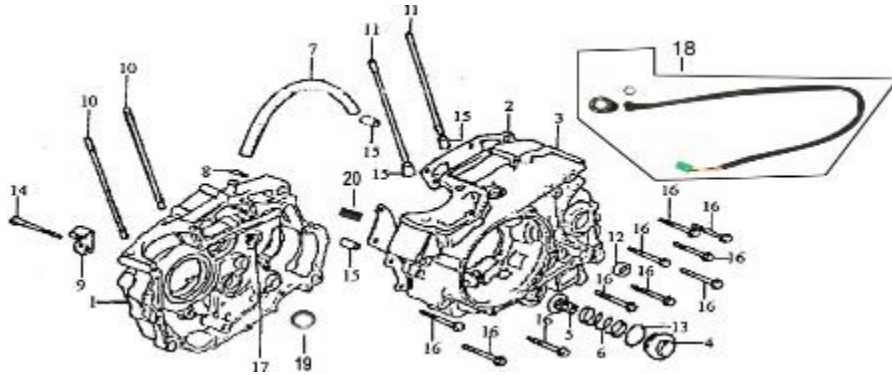
No.	Code	Name	Qty.
1	101024-0486	OIL FILTER ASSEMBLY	1
2	101024-0319	OIL PUMP ASSEMBLY	1
3	101024-0332	DRIVING GEAR	1
6	101024-0331	GASKET, OIL FILTER COVER	1
12	101024-0509	O-SEAL RING	2

Magneto Gen-set



No.	Code	Name	Qty.
1	101024-0353-02	LEFT FRONT COVER	1
2	101024-0354	LEFT REAR COVER	1
3	101024-0358	MAGNETO STATOR ASSEMBLY	1
4	101024-0357	MAGNETO ROTOR ASSEMBLY	1
5	101024-0362	COVER, HOLE PLUG	1
6	101024-0367	O-SEAL RING	1
7	101024-0361	INSPECTS WINDOWS COVER	1
8	101024-0368	O-SEAL RING	1
9	101024-0376	DOUBLE GEAR COVER	1
10	101024-0379	O-SEAL RING	1
11	101024-0520	BOLT	2
12	101024-0521	BOLT	5
13	101024-0366	FRONT LEFT COVER GASKET	1
14	101024-0506	IRON WASHER	1
15	101024-0526	BOLT	1
16	101024-0515	CROSS RECESS PAN HEAD SCREW	2
17	101024-0521	BOLT	2
18	101024-0359	WIRING HARNESS PRESS PLATE	1
19	101024-0518	BOLT	1
20	101024-0527	BOLT	1
21	101024-0522	BOLT	1
22	101024-0524	BOLT	2
23	101024-0525	BOLT	1

Crankcase



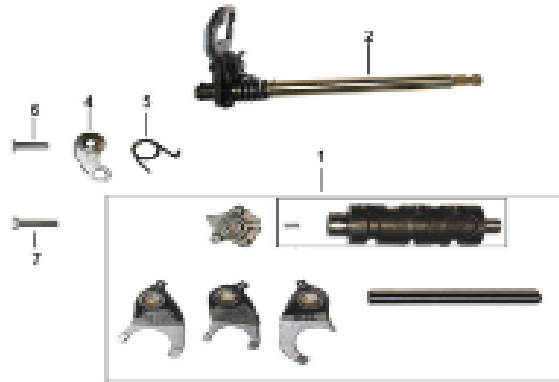
No.	Code	Name	Qty.
1	101024-0380	RIGHT CRANKCASE COMPONENT	1
2	101024-0381	CRANKCASE GASKET	1
3	101024-0382	LEFT CRANKCASE ASSEMBLY	1
4	101024-0383	VALVE COVER	1
5	101024-0384	GAUZE COMP.	1
6	101024-0385	SPRING, OIL GAUZE	1
7	101024-0386	AIR PIP	1
8	101024-0387	AIR PIP CLAMP SPRING	1
9	101024-0388	FIXING PLATE, CLUTCH CALBE	1
10	101024-0390	DOUBLE SCREW BOLTS B	2
11	101024-0389	DOUBLE SCREW BOLTS A	2
12	101024-0391	OIL SEAL	1
13	101024-0392	O-SEAL RING	1
14	101024-0525	BOLT	1
15	101024-0394	DOWEL PIN	4
16	101024-0523	BOLT	10
17	101024-0396	BERING	1
18	101024-0488	GEARSHIFT INDICATOR	1
19	101024-0502	BERING	1
20	101024-0489	AIRWAY PLUG	1

Tranmission Device



No.	Code	Name	Qty.
1	101024-0442	COUNTERSHAFT ASSEMBLY	1
2	101024-0441	MAIN SHAFT COMPONENTS	1
3	101024-0396	BERING	1
4	101024-0209	BEARING	1
5	101024-0503	BEARING	1
6	101024-0504	BEARING	1
7	101024-0435	OIL SEAL	1
8	101024-0427	DRIVING SPROCKET	1
9	101024-0437	DRIVING SPROCKET FIXING PLATE	1
10	101024-0436	HEXAGON HEAD BOLT (FULL-THREAD)	2

Drum Set



No.	Code	Name	Qty.
1	101024-0491	GEARSHIFT DRUM	1
2	101024-0492	GEARSHIFT ARM ASSEMBLY	1
4	101024-0462	LOCATOR, GEARSHIFT	1
5	101024-0493	SPRING, GEARSHIFT LOCATOR	1
6	101024-0511	HEXAGON HEAD BOLT (FULL-THREAD)	1
7	101024-0512	HEXAGON HEAD BOLT (FULL-THREAD)	1

Starting Motor



No.	Code	Name	Qty.
1	101024-0475	STARTER MOTOR COMPONENT	1
2	101024-0477	SHAFT DOUBLE GEAR	1
3	101024-0494	STARTING DISC GEAR	1
4	101024-0476	GEAR, STARTER IDLE NO.1	1
5	101024-0479	DOUBLE TOOTH WASHER	4
7	101024-0495	OIL BEARING COLLAR	1
8	101024-0496	PIN, STARTER IDLE NO.1 GEAR	1
9	101024-0508	WASHER, DISC GEAR	1
10	101024-0497	STARTING MOTOR BUSHING	2
11	101024-0521	BOLT	2

Single Brace and Foot Assy



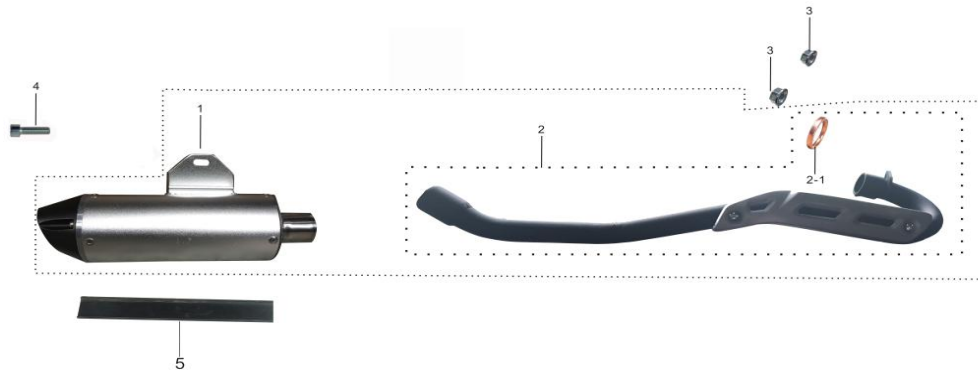
No	Code	Name	Qty.
1	554000-0038	SIDE STAND	1
2	407002-0001	SIDE STAND SPRING	1
3	903020-0002	STEP BOLT-M10*35*1.5	1
4	903007-0007	FLANGE LOCK NUT-M10*1.5	1
4	903007-0007-03	FLANGE LOCK NUT-M10*1.5	1
5	506003-0011	RIGHT FOOTPEG BLACK	1
5	506003-0033	RIGHT FOOTPEG BLACK	1
6	904001-0002	HINGE PIN	2
7	407001-0001	RIGHT FOOTPEG SPRING	2
8	904002-0002	COTTER PIN	1
8	904002-0002-03	COTTER PIN	1
9	506003-0009	LEFT FOOTPEG BLACK	1
10	407001-0008	LEFT FOOTPEG SPRING	1
11	C90002-0045	STRAIGHT SIDE STAND ASSEMBLY	1
12	C90002-0037	LEFT AND RIGHT FOOTPEG ASSEMBLY	1

Air Filter Assy



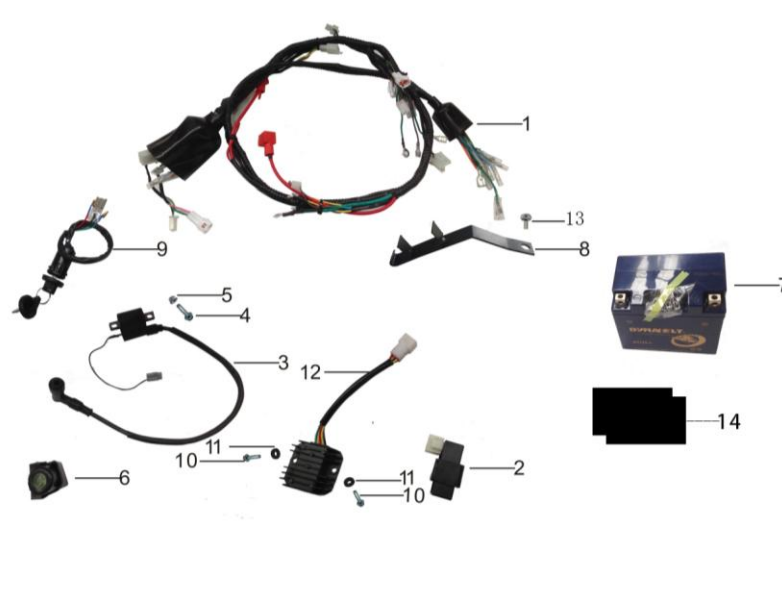
No.	Code	Name	Qty.
1	102000-0051	CARBURETOR	1
1	102000-0068	CARBURETOR	1
2	105003-0010	INTAKE RUBBER PIPE	1
3	906001-0004	HOOP	1
4	105003-0012	AIR FILTER INTAKE PIPE	1
5	105004-0002	AIR FILTER RUBBER CLAMP	1
6	903007-0003	LOCK NUT-M6	8
7	903012-0007	SCREW- TM6*16	6
7	903012-0007-03	SCREW- TM6*16	6
8	105004-0003	AIL FILTER SPONGE BRACKET	1
9	105004-0001	AIR FILTER STRICK	1
10	903012-0006	SCREW-TM6*12	2
10	903012-0006-03	SCREW-TM6*12	2
11	105002-0005	AIL FILTER SPONGE	1
12	903020-0007	BOLT-M6*60	1

Muffler Assy



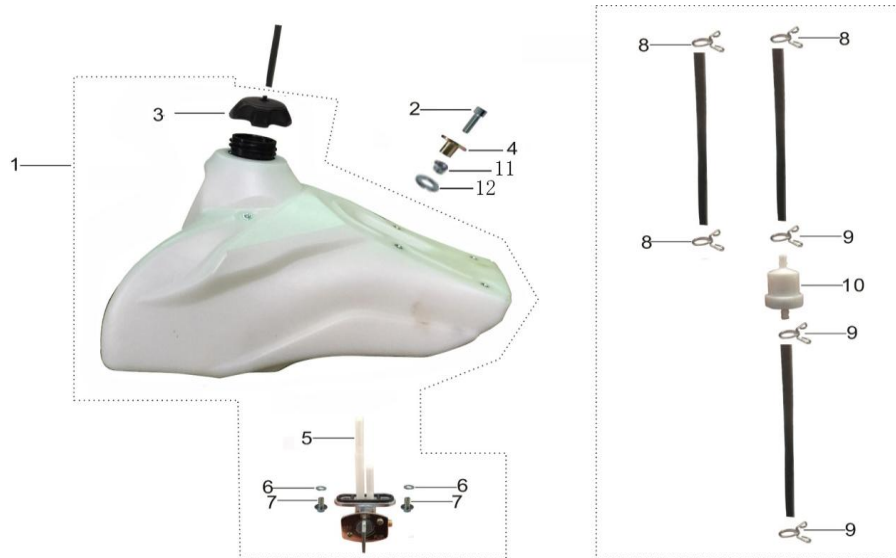
No.	Code	Name	Qty.
1	106002-0011	MUFFLER	1
2	106001-0027	EXHAUST PIPE	1
2-1	106003-0001	SEAL GASKET	1
3	903007-0005	LOCKNUT-M8	2
4	903013-0020	SCREW-M8*25	1
4	903013-0020-05	SCREW-M8*25	1
5	106006-0008	SHOCK RUBBER	1

Electronic Assy



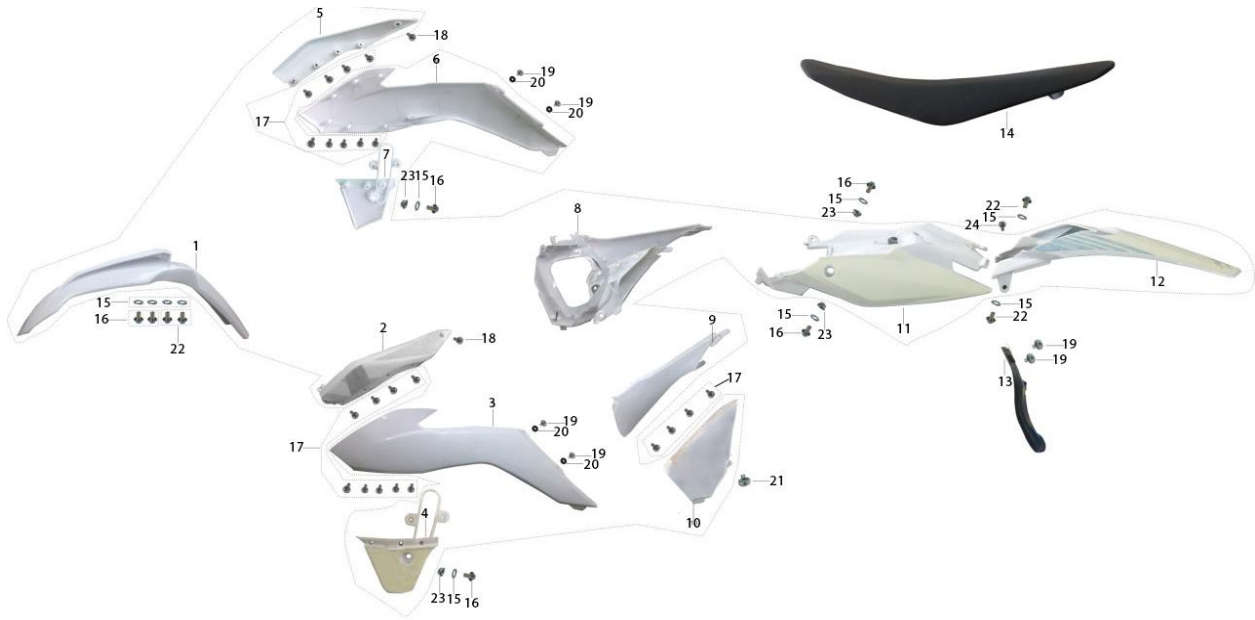
No.	Code	Name	Qty.
1	309001-0105	MAIN CABLE	1
1	309001-0105-02	MAIN CABLE	1
2	303001-0004	CDI	1
3	306001-0011	IGNITION COIL	1
4	903018-0004	FLANGE BOLT-M6*16	1
4	903018-0004-03	FLANGE BOLT-M6*16	1
5	903007-0003	LOCK NUT-M6	1
6	301001-0004-02	RELAY	1
6	301001-0004	RELAY	1
7	312001-0027	BATTERY	1
7	312001-0060	BATTERY	1
8	315012-0007	BATTERY FIX PLATE	1
8	315012-0007-02	BATTERY FIX PLATE	1
9	314001-0012	ELECTRIC LOCK	1
9	314001-0012-03	ELECTRIC LOCK	1
10	903019-0004	FLANGE BOLT-M6*16	2
11	908003-0002	RUBBER WASHER $\Phi 5.5 \times 15 \times 2$	2
12	302001-0009	REGULATOR	1
12	302001-0009-02	REGULATOR	1
13	903012-0007	SCREW-TM6*16	1
13	903012-0007-03	SCREW-TM6*16	1
14	909010-0037	EVA	2

Fuel Tank Assy



No.	Code	Name	Qty.
1	805001-0029	FUEL TANK	1
1	805001-0029-04	FUEL TANK	1
1	805001-0029-06	FUEL TANK	1
2	903013-0014	SCREW-M6*40	1
2	903013-0014-02	SCREW-M6*40	1
3	805003-0004	FUEL TANK CAP	1
3	805003-0004-02	FUEL TANK CAP	1
4	103003-0001	OIL COOLER BUSH	1
5	805004-0001	FUEL TANK TAP	1
5	805004-0032	FUEL TANK TAP	1
6	903002-0001	FLAT WASHER-Φ6*12*1.5	2
6	903002-0001-03	FLAT WASHER-Φ6*12*1.5	2
7	903018-0004	FLANGE BOLT-M6*16	2
7	903018-0004-03	FLANGE BOLT-M6*16	2
8	906002-0005	OIL PIPE CLIP	3
9	906002-0001	OIL PIPE CLIP	3
10	108001-0001	OIL FILTER	1
11	903006-0002	NUT-M6	1
11	903006-0002-03	NUT-M6	1
11	902002-0076	FUEL TANK STEP BUSH	1
12	903002-0006	FLAT WASHER-Φ8.5*24*1.5	1
12	908003-0014	RUBBER BUSH	1

Plastic Parts Assy



No.	Code	Name	Qty.
1	801009-0001	FRONT FENDER WHITE	1
1	801009-0001-04	FRONT FENDER WHITE	1
2	801009-0003	FRONT LEFT UPPER COVER WHITE	1
2	801009-0003-04	FRONT LEFT UPPER COVER WHITE	1
3	801009-0004	FRONT LEFT MIDDLE COVER WHITE	1
3	801009-0004-04	FRONT LEFT MIDDLE COVER WHITE	1
4	801009-0005	FRONT LEFT LOWER COVER WHITE	1
4	801009-0005-04	FRONT LEFT LOWER COVER WHITE	1
5	801009-0006	FRONT RIGHT UPPER COVER WHITE	1
5	801009-0006-04	FRONT RIGHT UPPER COVER WHITE	1
6	801009-0007	FRONT RIGHT MIDDLE COVER WHITE	1
6	801009-0007-04	FRONT RIGHT MIDDLE COVER WHITE	1
7	801009-0008	FRONT RIGHT LOWER COVER WHITE	1
7	801009-0008-04	FRONT RIGHT LOWER COVER WHITE	1
8	801009-0011	REAR RIGHT COVER	1
8	801009-0011-04	REAR RIGHT COVER	1
9	801009-0009	REAR LEFT UPPER COVER	1
9	801009-0009-04	REAR LEFT UPPER COVER	1
10	801009-0010	REAR LEFT LOWER COVER	1
10	801009-0010-04	REAR LEFT LOWER COVER	1
11	801009-0012	REAR LEFT RIGHT COVER	1
11	801009-0012-04	REAR LEFT RIGHT COVER	1
12	801009-0013	REAR MIDDLE COVER	1

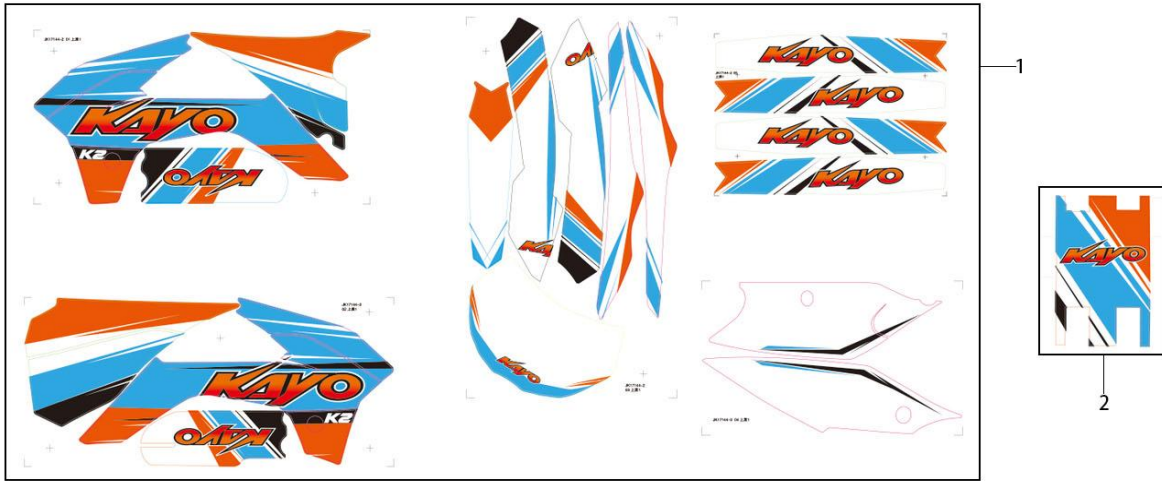
12	801009-0013-04	REAR MIDDLE COVER	1
13	801009-0014	REAR FENDER BLACK	1
14	701000-0012	SEAT BLACK	1
15	903002-0002	FLAT WASHER- Φ 6*18*1.5	10
15	903002-0002-03	FLAT WASHER- Φ 6*18*1.5	10
16	903019-0004	FLANGE BOLT-M6*16	6
17	903010-0006	SCREW-ST4.8*12	22
17	903010-0006-03	SCREW-ST4.8*12	22
18	903009-0009	SCREW-M6*8	2
18	903009-0009-02	SCREW-M6*8	2
19	903012-0006	SCREW-TM6*12	6
19	903012-0006-03	SCREW-TM6*12	6
20	908003-0002	RUBBER WASHER- Φ 5.5*15*2	4
21	903012-0007	SCREW-TM6*16	1
21	903012-0007-03	SCREW-TM6*16	1
22	903019-0007	FLANGE BOLT-M6*25	4
23	903007-0003	LOCK NUT-M6	4
24	903010-0010	SCREW-ST6.3*40	1
24	903010-0010-02	SCREW-ST6.3*40	1
	C90002-0060	PLASTIC PARTS	1

Headlamp Assy



No.	Code	Name	Qty.
1	308001-0005	FRONT LIGHT ASSY.	1
1	308001-0035	FRONT LIGHT ASSY.	1
1-1	308006-0023	FRONT LIGHT COVER	1
1-2	308005-0010	FRONT LIGHT BULB	1
2	315008-0007	FRONT LIGHT UPPER BRACKET	1
3	315011-0002	SPEEDMETER LOWER BRACKET	1
3	315008-0024-02	FRONT LIGHT LOWER BRACKET	1
4	903018-0003	FLANGE BOLT-M6*12	2
4	903018-0003-03	FLANGE BOLT-M6*12	2
5	903018-0004	FLANGE BOLT-M6*16	5
5	903018-0004-03	FLANGE BOLT-M6*16	5
6	902001-0001	FLAT BUSHING-Φ6.2*8.2*H7	2
7	908007-0010	RUBBER RING	2
8	903002-0002	FLAT WASHER-Φ6*18*1.5	4
8	903002-0002-03	FLAT WASHER-Φ6*18*1.5	4
9	903006-0002	FLANGE NUT-M6	4
9	903006-0002-03	FLANGE NUT-M6	4
10	801010-0022	WIRE CLIP	1

Sticker



No.	Code	Name	Qty.
1	802009-0038	STICKER	1
1	802009-0038-04	STICKER	1
2	802009-0039	SHEATH BUSH	1