

AY70 Parts Catalog

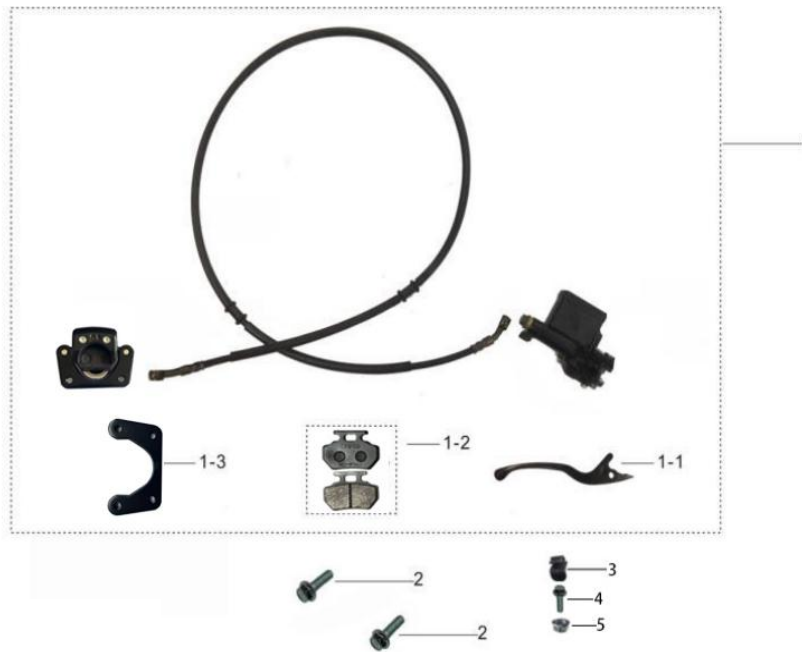


Handlebar Assy



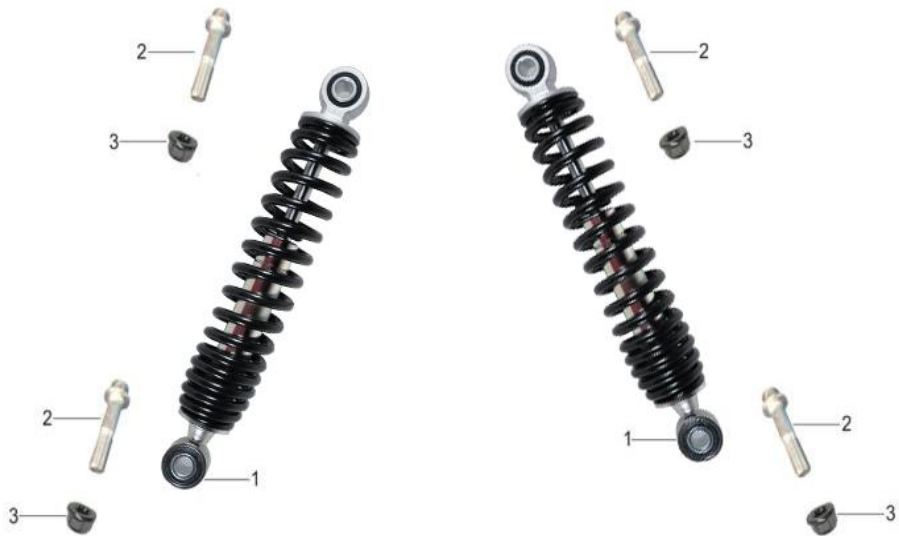
No.	Code	Model	Name	Qty.
1	602006-0015	AU150	BAR GRIP	2
1	602006-0026		HANDLE BAR GRIP	2
2	313001-0008	AY70-2	MULTI-FUNCTION SWITCH	1
3	602001-0014	AY70-2	BLACK HANDLE BAR 670*174 Φ12/Φ5	1
4	602017-0003	ATV	HANDLEBAR FOAM Φ12*53*200	1
5	313003-0011-02	TS	STOP SWITCH	1
6	602014-0002	AY70-2	THROTTLE CABLE L=600/71	1
6	602014-0036	AY70	THROTTLE CABLE L=600/72	1
7	602011-0008-02	AY70-2	ACCELERATOR	1
7	602011-0013		ACCELERATOR	1
8	906003-0002		PLASTIC BELT 5*200MM	2
9	602015-0003	AY70	CHOKE CABLE L=600/50	1

Rear Brake Assy



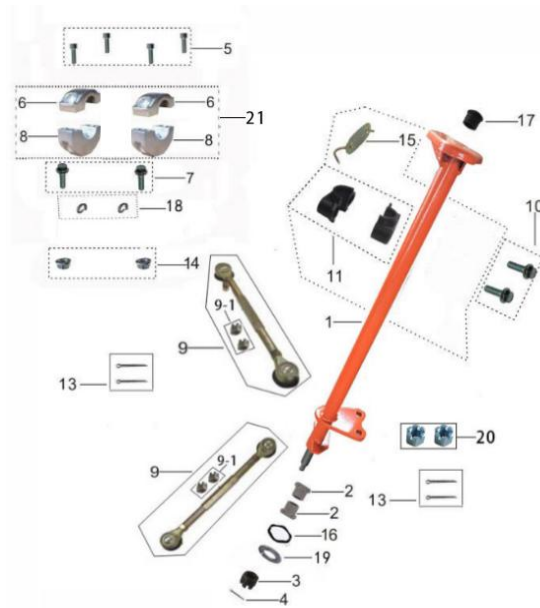
No.	Code	Model	Name	Qty.
1	405000-0082	AY70-2	REAR BRAKE ASSY.	1
1	405000-0082-02		REAR BRAKE ASSY. L=1200	1
1-1	404002-0015	AY110	REAR BRAKE LEVER-L	1
1-2	405008-0007	AT110	REAR BRAKE PAD	1
1-3	405009-0019	AU110	REAR BRAKE BRACKET	1
2	903019-0013-02	ATV	FLANGE BOLT M8*20	2
2	903019-0013-06	ATV	FLANGE BOLT M8*20	2
3	405010-0001	TD	REAR BRAKE OIL PIPE CLAMP Φ 10	1
4	903019-0003		BOLT M6*16	1
4	903019-0003-02	ATV	BOLT M6*16	1
5	903007-0002-02	ATV	NUT M6	1
5	903007-0002-03	ATV	NUT M6	1

Front Shock Assy



No.	Code	Model	Name	Qty.
1	501000-0085	AY70-2	FRONT FORK	2
2	903018-0032		FLANGE BOLT M10*40*1.25	4
2	903018-0033-02	ATV	FLANGE BOLT M10*45*1.25	4
3	903007-0006		FLANGE LOCK NUT M10*1.25	4
3	903007-0006-02		FLANGE LOCK NUT M10*1.25	4

Steering Column Assy



No.	Code	Model	Name	Qty.
1	566000-0001-02	AY70-2	STEERING COLUMN	1
1	566000-0037-01		STEERING COLUMN	1
2	902002-0031	ATV	STEERING COLUMN BUSH Φ15*29*H20+Φ21+H17	2
3	903008-0009	ATV	SLOTTED NUT M10*1.25	1
3	903008-0009-02	ATV	SLOTTED NUT M10*1.25	1
4	904002-0004-02	ATV	COTTER PIN 3*20	1
4	904002-0004-03	ATV	COTTER PIN 3*20	1
4	904002-0003-04			1
5	903013-0020-02	ATV	SCREW M8*25	4
5	903013-0022-02		SCREW M8*25	4
5	903013-0022-06	ATV	SCREW M8*25	4
6	601003-0003	SR70	UPPER RAISER	2
6	601003-0023		UPPER RAISER	2
7	903017-0011	ATV	BOLT M10*30*1.5	2
7	903017-0011-02	ATV	BOLT M10*30*1.5	2
8	601004-0004	SR70	LOWER RAISER	2
8	601004-0028		LOWER RAISER	2
9	603001-0002	AY70-2	STEERING PULL ROD L=130 M10*1.25*22+M10*1.25*22	2

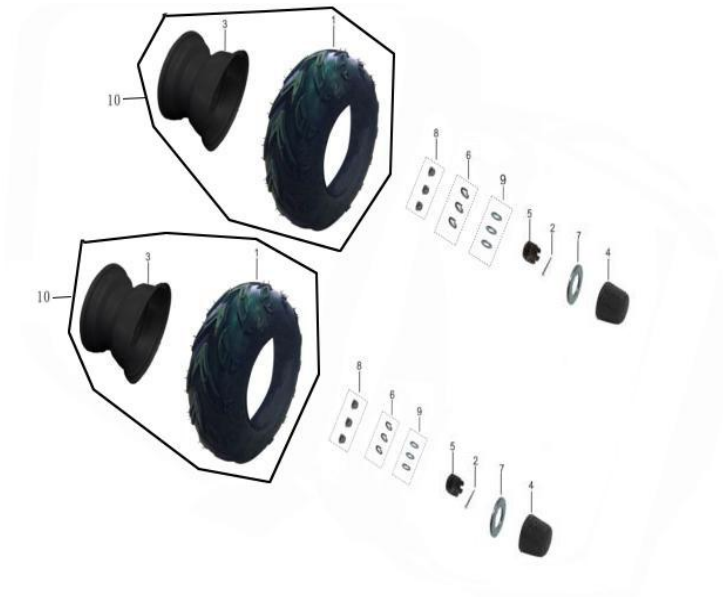
9-1	603005-0009		NUT M10*1.25*H9	4
10	903018-0015	ATV	FLANGE BOLT M8*55	2
10	903018-0015-03	ATV	FLANGE BOLT M8*55	2
11	902001-0020	AY70	STEERING COLUMN RAISER BUSH Φ9*14*H40	2
12	601003-0013	AY70	STEERING COLUMN RAISER Φ14.3	2
12	603004-0003	AY70	STEERING COLUMN CLAMP H20.5*39.5	2
13	904002-0002-02	ATV	COTTER PIN 2.5*24	2
13	904002-0002-03	ATV	COTTER PIN 2.5*24	4
14	903007-0007		FLANGE LOCK NUT M10*1.5	2
14	903007-0007-03		FLANGE LOCK NUT M10*1.5	2
15	568000-0001	AY70	CLIP	1
15	568000-0001-02		CLIP	1
15	568000-0001-03		CLIP	1
16	903003-0003	ATV	FLAT WASHER Φ15*21	1
17	908004-0003	AY70	PLUG Φ10*Φ15*14	1
18	903001-0005	ATV	SPRING WASHER Φ10.5*16*3	2
18	903001-0005-02	ATV	SPRING WASHER Φ10.5*16*3	2
19	903002-0008-02	ATV	WASHER Φ10*20*2	1
19	903002-0008-06	ATV	WASHER Φ10*20*2	1
20	903007-0006		FLANGE LOCK NUT M10*1.25	2
20	903007-0006-02		FLANGE LOCK NUT M10*1.25	2
20	903008-0009-02		SLOTTED NUT GB9457-1988 M10*1.25	2
21	C90004-0177		UPPER/LOWER PRESSURE BLOCK ASSEMBLY	1

Front Wheel Assy



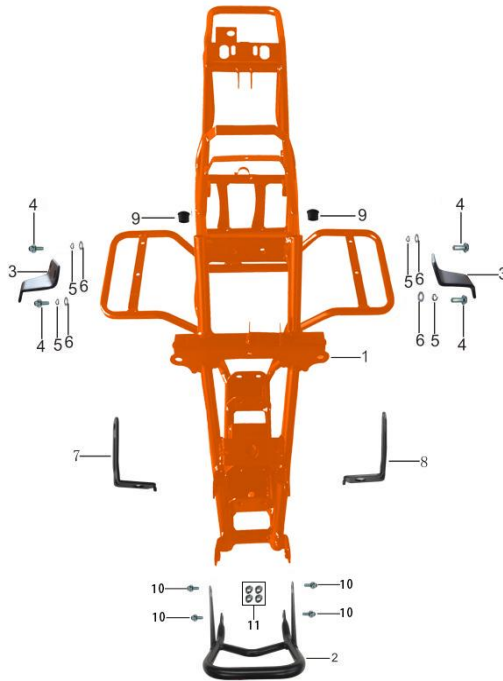
No.	Code	Model	Name	Qty
1	401006-0034	AY70-2	FRONT TIRE 16*8-7	2
1	401006-0042	AT110	FRONT TIRE 16*8-7	2
2	401003-0010	AU10D	FRONT HUB FLANGE	2
2	401003-0017	AY70-2	FRONT HUB FLANGE	2
3	401000-0056	AY70-2	BLACK FRONT RIM 7*4.8AT-3/90 54	2
3	401000-0093		REAR RIM 7*4.8AT-3/90 54	2
4	903002-0014	ATV	FLAT WASHER $\Phi 17*48*3$	2
4	903002-0014-02	ATV	FLAT WASHER $\Phi 17*48*3$	2
5	903008-0011	ATV	SLOTTED NUT M14*1.5*H18	2
5	903008-0011-02	ATV	SLOTTED NUT M14*1.5*H18	2
6	904002-0004-02	ATV	COTTER PIN 3*20	2
6	904002-0004-03	ATV	COTTER PIN 3*20	2
7	401011-0001	AY70	HUB COVER	2
8	903002-0004-02		FLAT WASHER $\Phi 8*16*1.5$	6
9	903007-0004-02	ATV	LOCK NUT M8	6
9	903007-0005	ATV	LOCK NUT M8	6
10	903001-0003		SPRING WASHER $\Phi 8*13*2$	6
11	C90004-0071	AY70-2	FRONT LEFT/RIGHT WHEEL ASSEMBLY	2
12	902001-0075	AU10D	BUSH $\Phi 16*20*H7$	2

Rear Wheel Assy



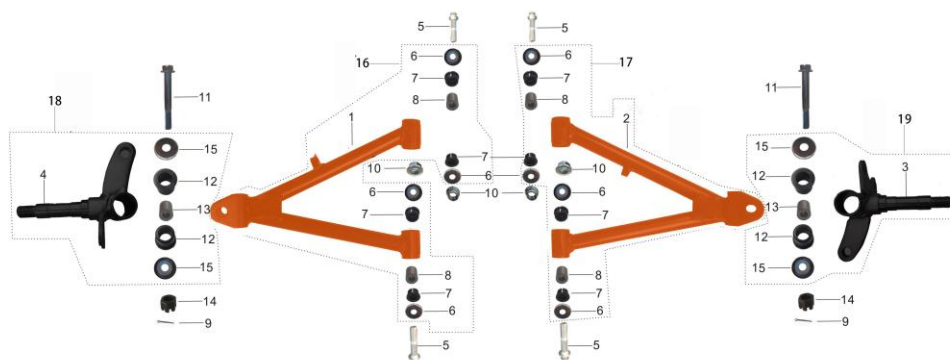
No.	Code	Model	Name	Qty.
1	401006-0034	AY70-2	REAR TYRE	2
1	402006-0031	AT110	REAR TYRE	2
1	401006-0042	AT110	REAR TYRE	2
2	904002-0006-02	ATV	COTTER PIN 4*28	2
2	904002-0006-03	ATV	COTTER PIN 4*28	2
3	401000-0056	AY70-2	BLACK FRONT RIM 7*4.8AT-3/90 54	2
3	401000-0093		REAR RIM 7*4.8AT-3/90 54	2
4	401011-0001	AY70	HUB COVER	2
5	903008-0012	ATV	SLOTTED NUT M16*1.5	2
5	903008-0030	ATV	NUT M16*1.5*H18	2
5	903008-0030-02	ATV	NUT M16*1.5*H18	2
6	903001-0003		SPRING WASHER Φ 8	6
7	903002-0014	ATV	FLAT WASHER Φ 17*48*3	2
7	903002-0014-02	ATV	FLAT WASHER Φ 17*48*3	2
8	903007-0004-02	ATV	LOCK NUT M8	6
8	903007-0005	ATV	LOCK NUT M8	6
9	903002-0004-02		FLAT WASHER Φ 8*16*1.5	6
10	C90004-0071	AY70-2	FRONT LEFT/RIGHT WHEEL ASSEMBLY	2

Frame Assy



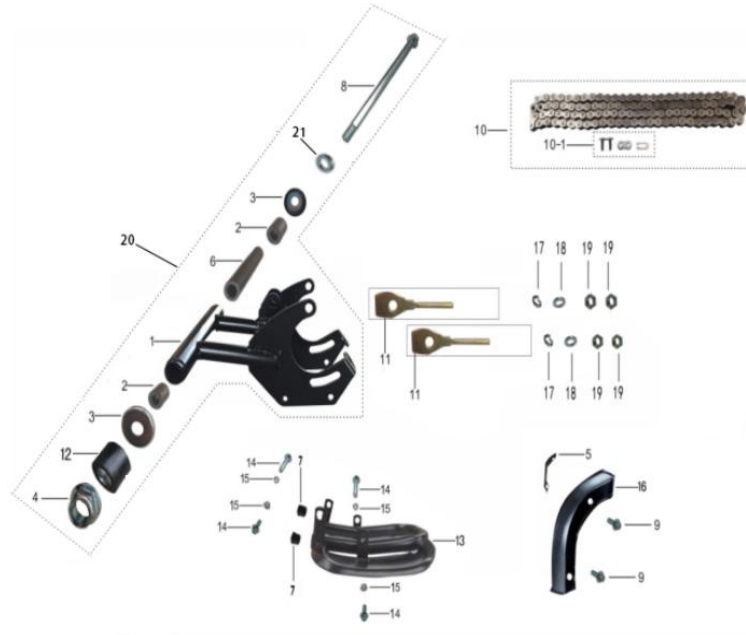
No.	Code	Model	Name	Qty.
1	561000-0040-02	AY70-2	FRAME	1
1	561000-0054-02	AY70	FRAME	1
2	704000-0001-01	AY70-2	BUMPER 196.6*116	1
3	568000-0006	AY70-2	ENGINE HANGER	2
4	903019-0012-02	ATV	BOLT M8*16	8
4	903020-0030	A150	BOLT M8*16	4
4	903020-0030-02	A150	BOLT M8*16	4
5	903001-0003		SPRING WASHER $\Phi 8$	4
6	903002-0004-02		FLAT WASHER $\Phi 8*16*1.5$	4
7	568000-0009	AY70-2	FRONT FIXER FOR RIGHT PLASTIC	1
8	568000-0008	AY70-2	FRONT FIXER FOR LEFT PLASTIC	1
9	908004-0003	AY70	PLUG $\Phi 10*\Phi 15*14$	2
10	903019-0012-02	ATV	BOLT M8*16	4
10	903019-0012-06	ATV	BOLT M8*16	4
11	903007-0004-02	ATV	LOCK NUT M8	4
11	903007-0005	ATV	LOCK NUT M8	4

Front Rocker Assy



No.	Code	Model	Name	Qty.
1	565000-0001-02	AY70-2	LEFT LOWER ARM	1
2	565000-0002-02	AY70-2	LOWER RIGHT ARM	1
3	603002-0002-01	AY70-2	RIGHT STEERING KNUCKLE	1
4	603002-0001-01	AY70-2	LEFT STEERING KNUCKLE	1
5	903018-0035		FLANGE BOLT M10*70*1.25	4
5	903018-0035-06		FLANGE BOLT M10*70*1.25	4
6	908007-0006	ATV	SEAL COVER ' Φ 10*35*H8+ Φ 27.5*6.5	8
6	908007-0006-02			8
7	902002-0029	AY70	ROCKER ARM BUSH Φ 16*27*14+ Φ 23+H11	8
8	902001-0026	AY70	FRONT ROCKER ARM STEEL BUSH ' Φ 10.2*16*H46	4
9	904002-0002-02	ATV	COTTER PIN 2.5*24	2
9	904002-0002-03	ATV	COTTER PIN 2.5*24	2
10	903007-0006		FLANGE LOCK NUT M10*1.25	4
10	903007-0006-02		FLANGE LOCK NUT M10*1.25	4
11	903017-0018	ATV	BOLT M12*80*1.25	2
11	903017-0018-03	ATV	BOLT M12*80*1.25	2
12	902002-0038	A250	ROCKER ARM PLASTIC BUSH Φ 16*27*H23+ Φ 23+H20	4
13	901003-0004	AY70	INNER BUSH TUBE Φ 12.2*16*L52	2
14	903008-0010	ATV	SLOTTED NUT M12*1.25	2
14	903008-0010-03	ATV	SLOTTED NUT M12*1.25	4
15	908007-0007	AY70	STEERING KNUCKLE SEAL COVER Φ 12*35*H8+ Φ 27.5*6.5	1
16	C90004-0007	AY70-2	LOWER LEFT ARM ASSY ORANGE	1
17	C90004-0008	AY70-2	LOWER RIGHT ARM ASSY ORANGE	1
18	C90004-0005	AY70-2	LEFT KNUCKLE KIT	1
19	C90004-0006	AY70-2	RIGHT KNUCKLE KIT	1

Rear Swingarm Kit



No.	Code	Model	Name	Qty.
1	563000-0001-01	AY70-2	BLACK SWING ARM	1
2	902001-0053	AY70	SWING ARM SPACER	2
3	908007-0007	AY70	STEERING KNUCKLE SEAL COVER	2
4	903007-0008		FLANGE LOCK NUT M12*1.25	1
4	903007-0008-02	ATV	FLANGE LOCK NUT M12*1.25	
5	568000-0010	AT110	CHAIN COVER MOUNT PLATE 57*20	1
6	901003-0007	AY70	INNER BUSH TUBE Φ 12.5*19*L143	1
7	908004-0002	AY70	PLUG Φ 9*16*H14	2
8	901001-0022		FLANGE AXLE Φ 12*236*M12*1.25	1
9	903018-0003-02	ATV	BOLT M6*12	2
9	903018-0003-06	ATV	BOLT M6*12	2
10	203000-0052		GRAY CHAIN 420H 70L	1
10-1	203001-0002		CHAIN JOINT 420H	1
11	203003-0003	SSR	CHAIN ADJUSTER M6*50* Φ 13	2
11	203003-0008	AY70-2	CHAIN ADJUSTER Φ 13*M8*70	2
12	203004-0024	AY70-2	CHAIN GUIDE Φ 30.5*43*H38	1
13	568000-0007	AY70-2	CHAIN PLATE 173.3*214.2	1
14	903019-0013-02	ATV	FLANGE BOLT M8*20	4
14	903019-0013-06	ATV	FLANGE BOLT M8*20	4
15	903007-0004-02	ATV	LOCK NUT M8	4
15	903007-0005	ATV	LOCK NUT M8	4
16	203004-0027	A125	CHAIN COVER	1

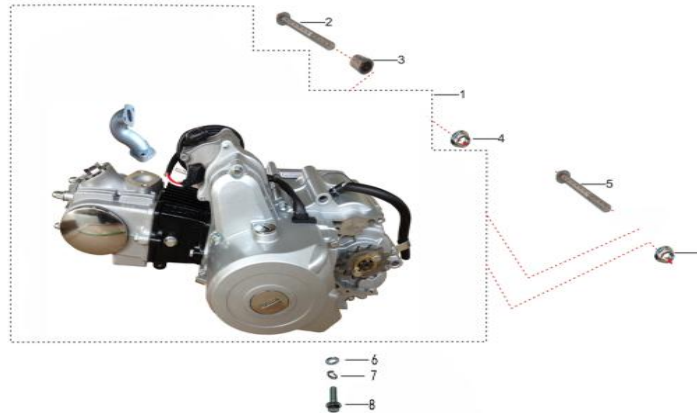
17	903001-0002		SPRING WASHER Φ 6	2
17	903001-0003	ATV	SPRING WASHER Φ 8*13*2	2
17	903001-0003-02	ATV	WASHER Φ 8*13*2	2
18	903002-0001		FLAT WASHER Φ 6*12*1.5	2
18	903002-0004-02	ATV	FLAT WASHER Φ 8*16*1.5	2
18	903002-0004-06	ATV	FLAT WASHER Φ 8*16*1.5	2
19	903005-0007-02	ATV	NUT M8	4
19	903005-0007-03	ATV	NUT M8	4
20	C90004-0085-02		SWING ARM ASSY	1
21	903002-0010		WASHER Φ 12*24*2	1
21	903002-0010-03	ATV	WASHER Φ 12*24*2	1

Rear Shock Assy



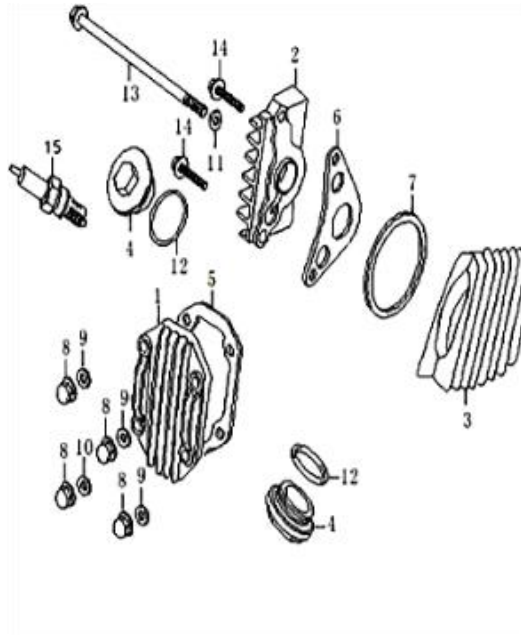
No.	Code	Model	Name	Qty.
1	502000-0069	AY70-2	REAR FORK	1
2	903018-0032		FLANGE BOLT M10*40*1.25	2
2	903018-0032-06	ATV	FLANGE BOLT M10*40*1.25	2
3	903007-0006		FLANGE LOCK NUT M10*1.25	2
3	903007-0006-02		FLANGE LOCK NUT M10*1.25	2

Engine Assy



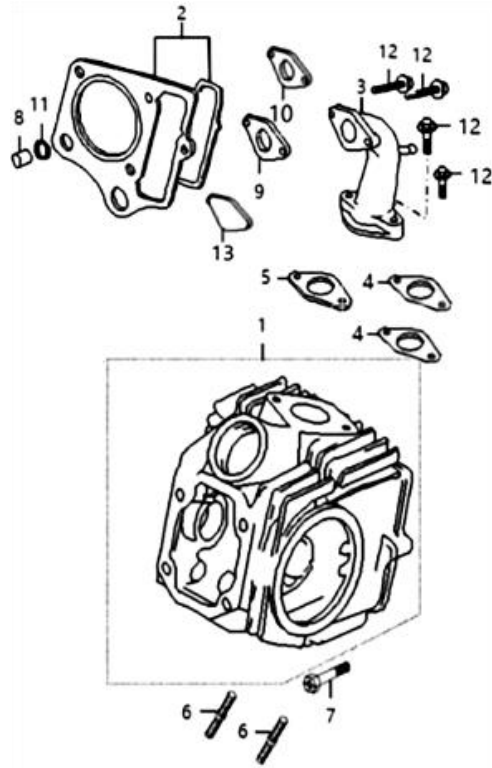
No.	Code	Model	Name	Qty.
1	101000-0289	HD70-ATV	ENGINE ASSY.	1
1	D01000-0010		ENGINE	1
2	903018-0026	ATV	FLANGE BOLT M8*120	1
2	903018-0026-02	ATV	FLANGE BOLT M8*120	1
3	902001-0008		BUSH Φ 8*16*H10	1
4	903007-0005		LOCK NUT M8	2
5	903018-0021	ATV	FLANGE BOLT M8*100	1
5	903018-0021-02	ATV	FLANGE BOLT M8*100	1
6	903002-0004-02	ATV	FLAT WASHER Φ 8*16*1.5	1
6	903002-0004-06	ATV	FLAT WASHER Φ 8*16*1.5	1
7	903001-0003	ATV	SPRING WASHER Φ 8*13*2	1
7	903001-0003-02	ATV	WASHER Φ 8*13*2	1
8	903019-0013-02	ATV	FLANGE BOLT M8*20	1
8	903019-0013-06	ATV	FLANGE BOLT M8*20	1

CYLINDER HEAD COVER



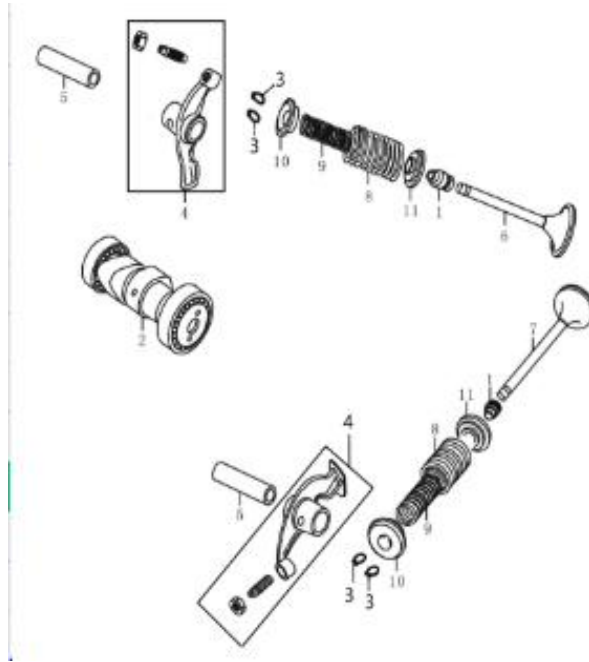
NO.	CODE	NAME	QTY.
1	D01020-0080	CYLINDER HEAD	1
2	D01020-0090	RIGHT COVER OF CYLINDER HEAD	1
3	D01020-0100	LEFT COVER OF CYLINDER HEAD	1
4	H01020-0110	CHECKING VALVE COVER	2
5	H01020-0120	CYLINDER HEAD COVER GASKET	1
6	H01020-0130	GASKET	1
7	H01020-0140	GASKET	1
8	A00145-0601-24	GROWN NUT M6	4
9	A00160-0606	WASHER $\Phi 6.2 \times \Phi 13 \times 2$	3
10	A00160-0607	WASHER $\Phi 6.2 \times \Phi 13 \times 2$	1
11	A00160-0604	WASHER $\Phi 6 \times \Phi 13 \times 2$	1
12	A00280-3001	"O" SEALING RING 29.6×3	2
13	A00103-0601-25	GROWN STUD BOLT M6×110	1
14	A00103-0604-24	GROWN STUD BOLT M6×20	2
15	D01020-0060	PLUG (A7RTC)	1

CYLINDER HEAD



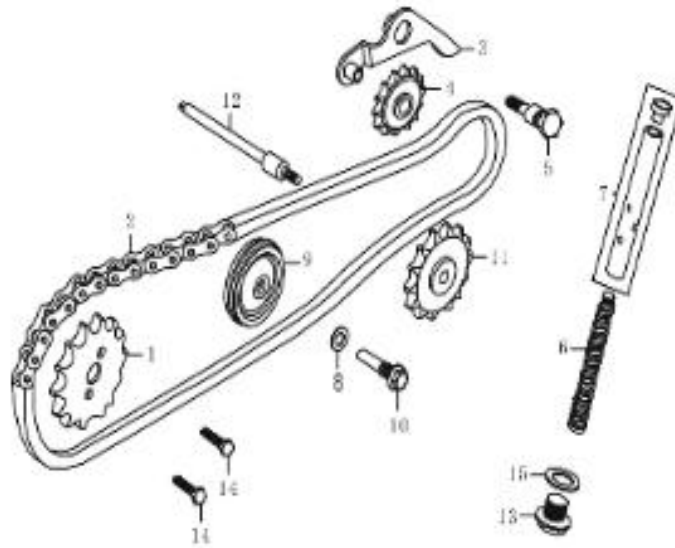
NO.	CODE	NAME	QTY.
1	D01021-0010	CYLINDER HEAD COMP	1
2	D01020-0150	GASKET SET	1
3	D01080-0020	INLET PIPE ASSY	1
4	H01080-0040	INLET PIPE ASSY GASKET	2
5	H01080-0030	INSULATING MATΦ28	1
6	A00108-0601-25	STUD M6×35	2
7	A00128-0601-25	STUD M6×23	1
8	H01020-0070	DOWEL PIN 9.5	1
9	I01080-0060	INSULATING MATΦ25	1
10	I01080-0050	GASKET	1
11	H01020-0180	O-RING 8×10.8×1.5	1
12	A00103-0607-24	STUD M6×28	4
13	H01020-0300	SEALING LABEL	1

CAMSHAFT·VALVE



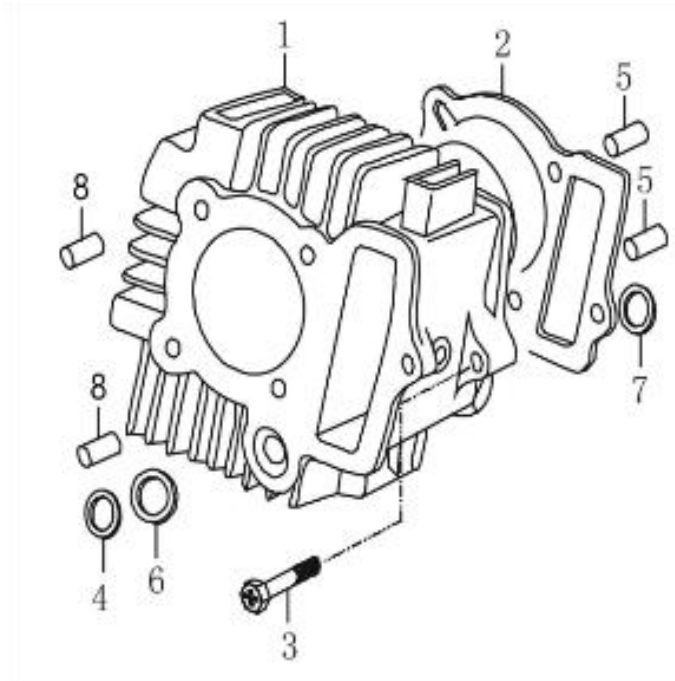
NO.	CODE	NAME	QTY.
1	H01021-0020	VALVE STEM SEAL	2
2	D01021-0030	CAMSHAFT COMP	1
3	H01021-0110	VALVE COTTER	4
4	H01021-0040	VALVE ARM ROCKER	2
5	H01021-0050	ROCKER SHAFT	2
6	H01021-0060	INLET VALVE	1
7	H01021-0070	EXHAUST VALVE	1
8	H01021-0080	OUTER VALVE SPRING	2
9	H01021-0090	INNER VALVE SPRING	2
10	H01021-0100	SPRING SEAT	2
11	H01021-0120	OUTER SPRING SEAT	2

CAM CHAIN-TENSIONER



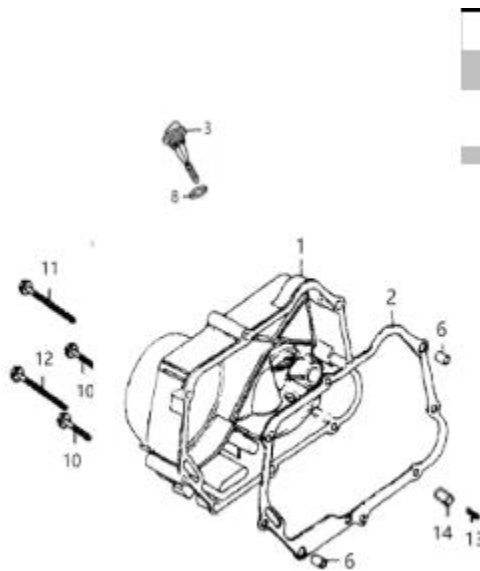
NO.	CODE	NAME	QTY.
1	H01023-0010	SPROCKET (28T)	1
2	D01023-0020	SPROCKET CHAIN	1
3	H01023-0030	CHAIN ADJUSTING SET	1
4	H01023-0040	CHAIN ROLLER	1
5	H01023-0050	PIN	1
6	H01023-0060	SPRING	1
7	H01023-0070	CHAIN SHANK SET	1
8	A00160-0802	WASHER 8X14X2	1
9	H01023-0090	GUIDE CHAIN ROLLER SET	1
10	D01023-0100	GUIDE CHAIN ROLLER PIN	1
11	H01023-0110	HUB DUMP CHAIN SPROCKET	1
12	H01100-0040	HUB DUMP SHAFT	1
13	H01023-0130	SEALING PLUG M14×1.5	1
14	A00100-0501-65	BOLT M5×12(10.9)	3
15	A00160-1402	WASHER 14X20X2	1

CYLINDER



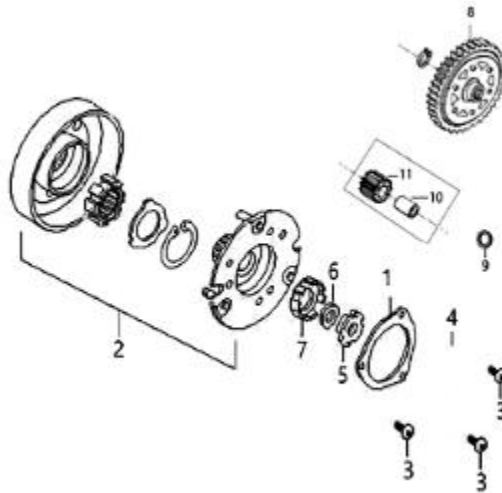
NO.	CODE	NAME	QTY.
1	D01020-0020	CYLINDER BLOCK	1
2	H01020-0030	CYLINDER GASKET	1
3	A00128-0601-25	STUD M6×23	1
4	A00181-1101	11.5X14X1.5	1
5	A00206-0803	PIN 8×12	2
6	H01020-0170	SEALING WASHER 14.5×18.5×2.5	1
7	H01020-0160	SEALING WASHER 11.5×16×2.5	1
8	A00206-0802	PIN 8×14	2

RIGHT CRANKCASE COVER



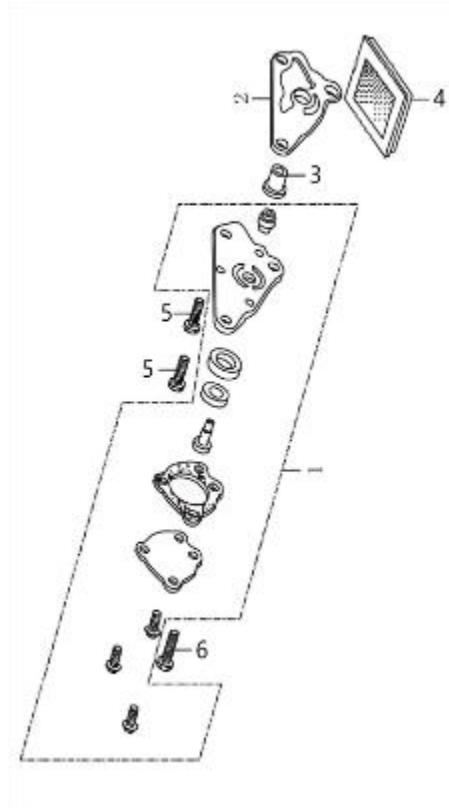
NO.	CODE	NAME	QTY.
1	D01010-0040	COVER COMP, R. CRANKCASE	1
2	H01010-0110	GASKET, R, COVER	1
3	D01010-0130	OIL LEVEL METER	1
4	H01051-0030	ADJUST SCREW	1
5	A00160-0803	WASHER 8X16X2	1
6	A00206-0803	PIN 8x12	2
7	A00280-0703	O-RING 7.5x1.8	1
8	A00280-1801	O-RING 18x3.5	1
9	A00140-0801-24	NUT M8	1
10	A00103-0609-24	BOLT M6x40	5
11	A00103-0614-24	BOLT M6x65	2
12	A00103-0617-24	BOLT M6x85	1
13	A00440-0601	SPRING	1
14	H01051-0060	TUBING	1
15	H01100-0300	OIL LABEL	1

CLUTCH



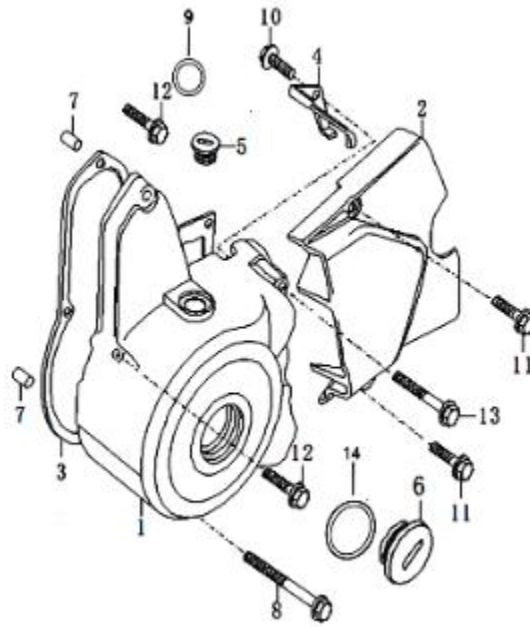
NO.	CODE	NAME	QTY.
1	D01050-0070	GASKET END COVER	1
2	D01050-0010	CLUTCH ASSY	1
3	A00124-0502-24	SCREW, M5×12	3
4	D01050-0060	END COVER CLUTCH	1
5	A00159-1401	LOCK NUT CLUTCH	1
6	A00164-1401	DISH WASHER,CLUTCH	1
7	A00163-1401	STOP WASHER,CLUTCH	1
8	H01050-0020	DRIVEN GEAR COMP	1
9	D01051-0050	SPACER SLEEVE	1
10	H01050-0040	BUSH	1
11	D01050-0050	DRIVEN GEAR	1

OIL PUMP



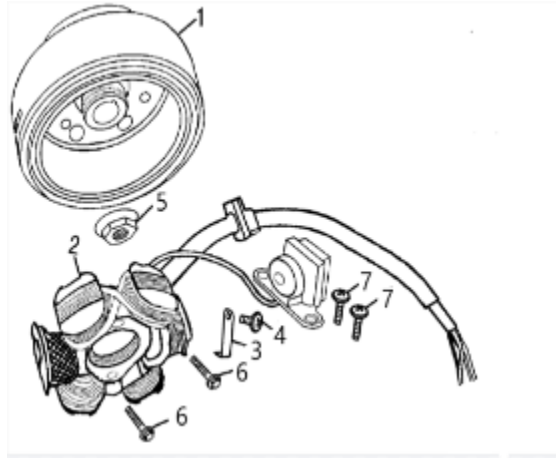
NO.	CODE	NAME	QTY.
1	H01100-0010	OIL PUMP	1
2	H01100-0020	OIL PUMP GASKET	1
3	H01100-0060	SLEEVE	1
4	H01100-0030	OIL SET	1
5	A00124-0602-24	SCREW M6×16	2
6	A00124-0608-24	SCREW M6×22	1

LEFT CRANKCASE COVER



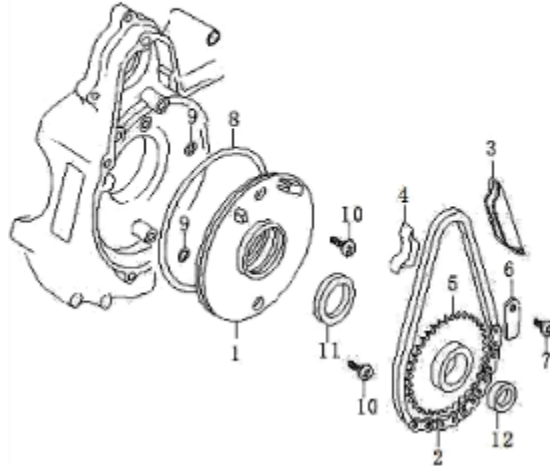
NO.	CODE	NAME	QTY.
1	D01010-0030	FRONT L. CRANKCASE COVER	1
2	H01010-0050	COVER, ENGINE SPROCKET	1
3	H01010-0120	LEFT COVER GASKET,	1
4	H01070-0040	CLAMP	1
5	H01010-0090	CAP	1
6	H01010-0080	CAP	1
7	A00206-0803	DOWEL PIN 8×12	2
8	A00103-0614-24	FLANGE BOLT M6×70	1
9	A00280-1401	O-RING Φ 13.8×2.5	1
10	A00103-0602-24	BOLT M6×16	1
11	A00103-0607-24	BOLT M6×28	2
12	A00103-0608-24	BOLT M6×32	2
13	A00103-0610-24	BOLT M6×50	1
14	A00280-2801	O-RING Φ 27.4×2.4	1

MAGNETIC MOTOR



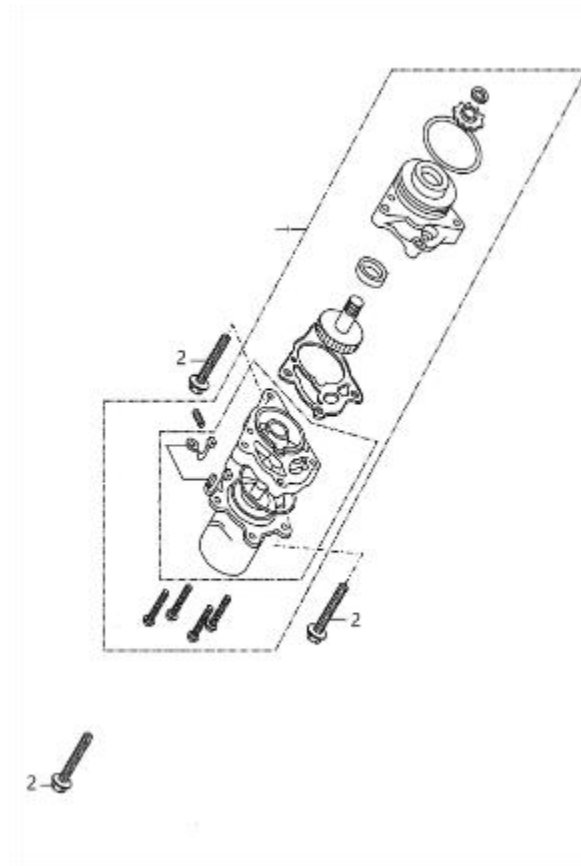
NO.	CODE	NAME	QTY.
1	D01070-0010	ROTOR.	1
2	H01070-0020	BASE.	1
3	H01070-0050		1
4	A00124-0501-24	BOLT M5×6	1
5	A00159-1002-23	FLANGE NUT M10X1.25	1
6	A00103-0605-24	BOLT M6×22	2
7	A00100-0501-24	BOLT M5×12	2

STARTING CLUTCH



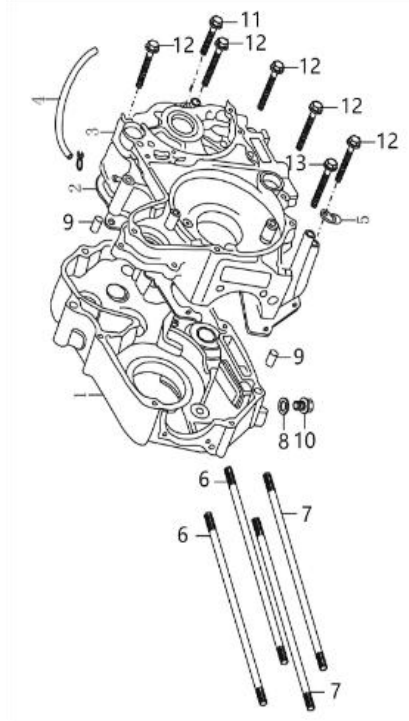
NO.	CODE	NAME	QTY.
1	H01010-0070	DISK INSULATOR	1
2	H0106D-0020	CHAIN, START 62T	1
3	H0106D-0040	GUIDE, START CHAIN	1
4	H0106D-0050	GUIDE START CHAIN	1
5	H0106D-0030	PLATE, START CHAIN	1
6	H0106D-0060	SPROCKET, START CLUTCH	1
7	A00100-0604-24	BOLT M6×12	1
8	A00280-0701	O-RING 107×2	1
9	A00280-0702	O-RING 6.8×1.9	2
10	A00126-0601-24	SCREW M6×16	2
11	A00283-3001	SEAL RING 30×42×4.5	1
12	A00283-1901	SEAL RING 18.9×30×5	1

STARTING MOTOR



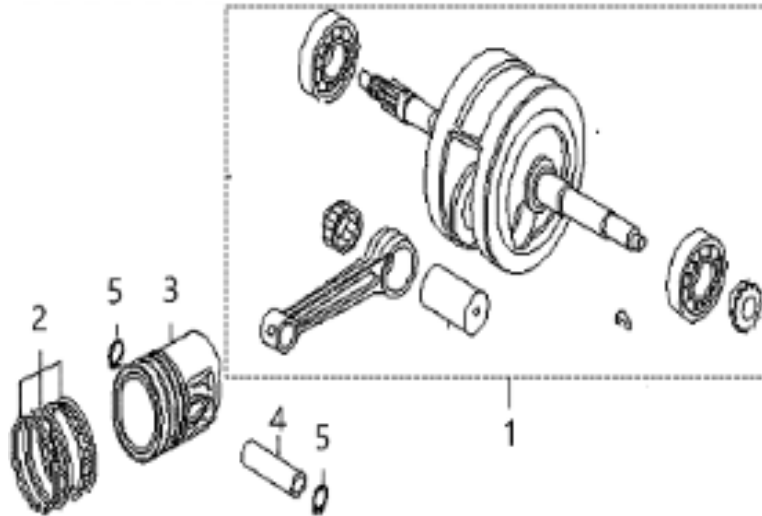
NO.	CODE	NAME	QTY.
1	H0106D-0010	STARTING MOTOR.	1
2	A00103-0610-24	BOLT M6×50	3

CRANKCASE



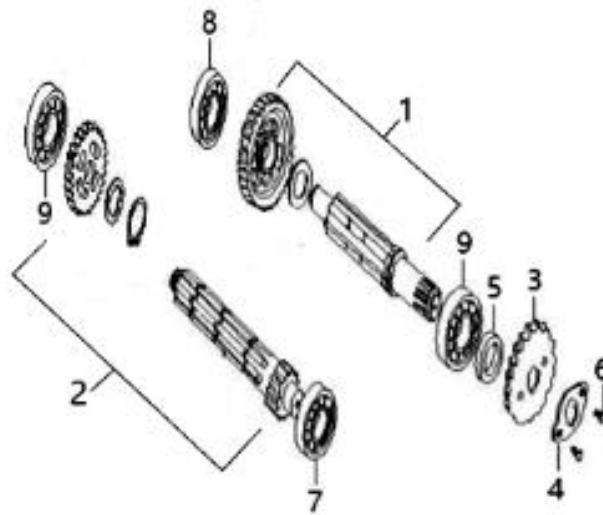
NO.	CODE	NAME	QTY.
1	D01010-0020	RIGHT CRANKCASE BLOCK	1
2	D01010-0100	GASKET CRANKCASE	1
3	D01010-0010	LEFT CRANKCASE BLOCK	1
4	A00343-0701	AIR PIPE	1
5	H01010-0140	CLAMP	1
6	A00108-0603-86	BOLT A, CYLINDER STUD M6×188	2
7	A00108-0604-86	BOLT B, CYLINDER STUD M6×196	2
8	A00160-1201	WASHER Φ12	1
9	A00206-1001	DOWER PIN 10×14	2
10	A00103-1201-24	DRAIN PLUG M12×1.5	1
11	A00103-0610-24	BOLT M6×50	1
12	A00103-0613-24	BOLT M6×65	5
13	A00103-0614-24	BOLT M6×70	1

CRANK SHAFT-PISTON



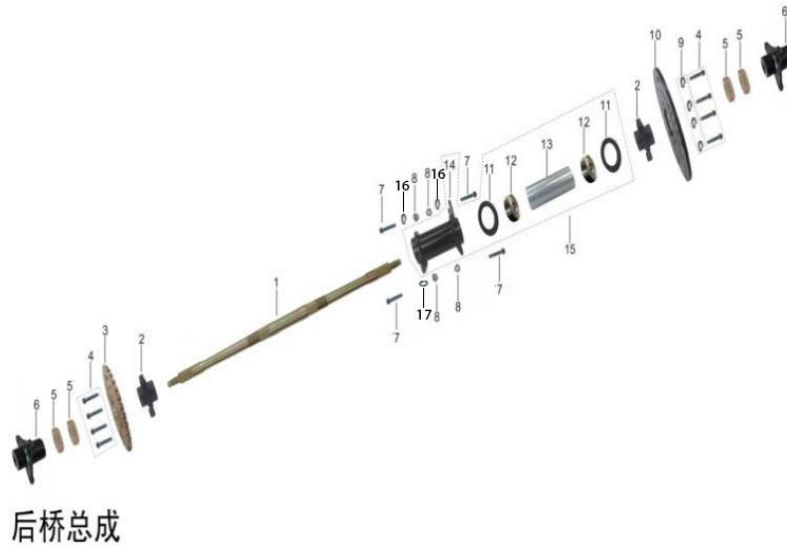
NO.	CODE	NAME	QTY.
1	D01031-0010	CRANKSHAFT COMP	1
2	D01032-0010	PISTON RING ASSEMBLY	1
3	D01030-0030	PISTON	1
4	D01030-0040	PIN PISTON	1
5	H01030-0050	CLIP, PISTON PIN	2

TRANSMISSION



NO.	CODE	NAME	QTY.
1	D01040-0021	SECONDARY AXIS COMBINATION	1
2	D01040-0011	SPINDLE COMBINATION	1
3	H01040-0060	DRIVING SPROCKET	1
4	H01040-0070	FIX PLATE	1
5	A00283-1702	OIL SEAL 17×29×5	1
6	A00100-0601-25	BOLT M6×8	2
7	A00260-1201	BEARING 6001	1
8	A00260-1202	BEARING 6201	1
9	A00260-1702	BEARING 6203	2

Rear Axle Assy



No.	Code	Model	Name	Qty.
1	505001-0004	AY70-2	REAR WHEEL AXLE	1
2	404011-0003	AY70-2	BRAKE DISC BASE	2
2	404011-0003-02		BRAKE DISC BASE	2
3	205001-0004	AY70	REAR SPROCKET	1
4	903019-0012-02	ATV	BOLT M8*16	8
4	903019-0012-06	ATV	BOLT M8*16	8
5	903008-0015	ATV	NUT M22*1.5*H7	4
6	402003-0017	AY70-2	REAR FLANGE HUB	2
6	402003-0023	AY70-2	REAR FLANGE HUB M8*22*1.25	2
7	903018-0030		BOLT M10*25*1.25	4
7	903018-0030-02	ATV	BOLT M10*25*1.25	4
8	903007-0006		FLANGE LOCK NUT M10*1.25	4
8	903007-0006-02		FLANGE LOCK NUT M10*1.25	4
9	903001-0003		SPRING WASHER $\Phi 8*13*2$	4
9	903001-0003-02	ATV	WASHER $\Phi 8*13*2$	4
10	405001-0012	AT110	REAR BRAKE DISC $\Phi 48.4*180$	1
11	908001-0008	ATV	OIL SEAL '32*47*7	2
12	907001-0009	ATV	BEARING	2
13	901003-0008	AY70-2	INNER BUSH TUBE $\Phi 27*32*L89$	1
14	564000-0001	AY70-2	REAR AXLE	1
15	C90004-0024	AY70-2	REAR AXLE ASSY	1
16	903001-0005	ATV	SPRING WASHER $\Phi 10.5*16*3$	2
16	903001-0005-02	ATV	SPRING WASHER $\Phi 10.5*16*3$	2
17	903002-0008		WASHER $\Phi 10*20*2$	1
17	903002-0008-06	ATV	WASHER $\Phi 10*20*2$	1

Carburetor Assy



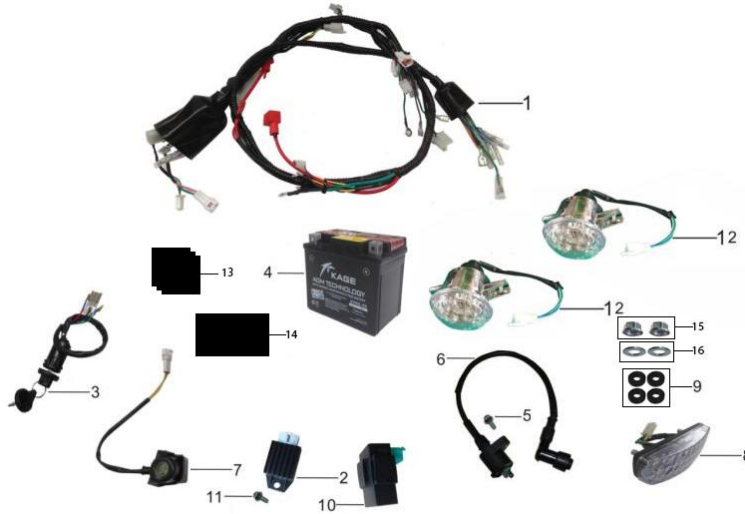
No.	Code	Model	Name	Qty.
1	102000-0005	AY70-2	CARBURETOR	1
2	906001-0008		CLAMP	1
3	105000-0014	AT110	AIR FILTER	1

Muffler Assy



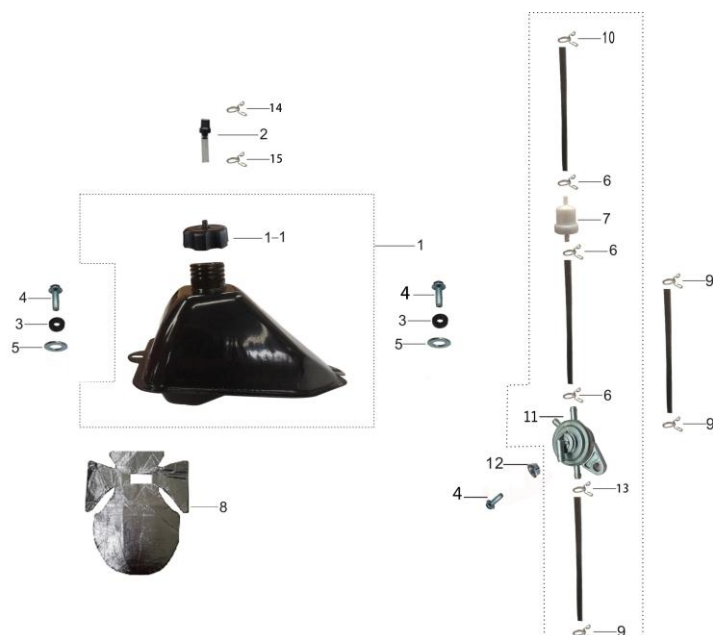
No.	Code	Model	Name	Qty.
1	106001-0050	AY70-2	MUFFLER	1
2	106003-0002		SEAL GASKET $\Phi 24*33*5.5$	1
3	903007-0002-02	ATV	NUT M6	2
3	903007-0002-03	ATV	NUT M6	2
4	903019-0013-02	ATV	FLANGE BOLT M8*20	1
4	903019-0013-06	ATV	FLANGE BOLT M8*20	1
5	903007-0004-02	ATV	LOCK NUT M8	1
5	903007-0005	ATV	LOCK NUT M8	1

Electronic Assy



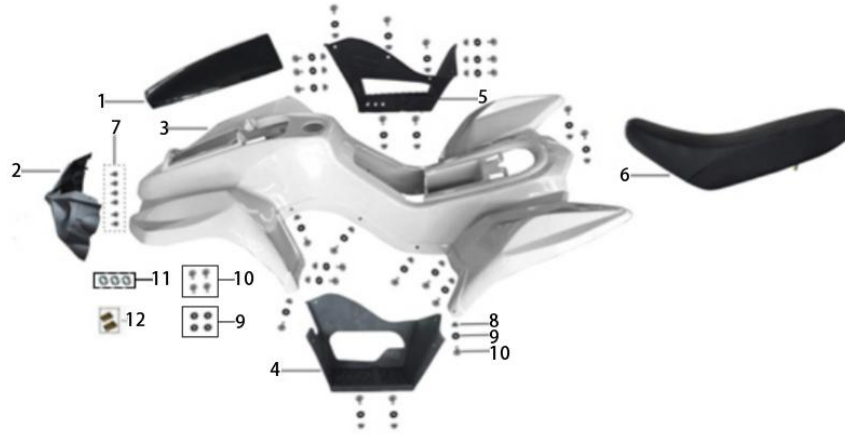
No.	Code	Model	Name	Qty.
1	309001-0053	AY70-2	MAIN CABLE	1
1	309001-0053-02	AY70-2	MAIN CABLE	1
2	302001-0007-02		VOLTAGE REGULATOR	1
3	314001-0002-03	KMB	ELECTRIC LOCK	1
3	314001-0002-04		ELECTRIC LOCK	1
4	312001-0040	AT110	BATTERY	1
5	903018-0005-02		FLANGE BOLT M6*20	1
5	903018-0005-06	ATV	FLANGE BOLT M6*20	1
6	306001-0012-02	ATV	IGNITION COIL	1
7	301001-0004	AY70-2	RELAY	1
7	301001-0008		RELAY	1
8	308002-0005	AT110	TAIL LIGHT TW03	1
8	308002-0005-02		TAIL LIGHT TW03	1
9	908003-0002		WASHER $\Phi 5.5 \times 14.5 \times 2$	4
10	303001-0007-03	AY70-2	CDI	1
11	903018-0003-02	ATV	BOLT M6*12	1
11	903018-0003-06	ATV	BOLT M6*12	1
12	308001-0018	AY70-2	HEAD LIGHT	2
12	308001-0013	AU110	HEAD LIGHT	2
12	308001-0013-02		HEAD LIGHT	2
13	909010-0001	ATV	EVA 30*30	3
14	909010-0008	TT-A	EVA 82*65*4	1
15	903006-0001-02	ATV	NUT M5	2
15	903006-0001-03	ATV	NUT M5	2
16	903002-0002-02	ATV	BUSH $\Phi 6 \times 18 \times 1.5$	2
16	903002-0002-06	ATV	BUSH $\Phi 6 \times 18 \times 1.5$	2

Fuel Tank Assy



No.	Code	Model	Name	Qty.
1	805002-0001	AY70-2	FUEL TANK	1
1-1	805003-0011	AY70	FUEL TANK CAP	1
2	805005-0001-07		ONE-WAY VALVE	1
3	908003-0002		RUBBER WASHER $\Phi 5.5 \times 15 \times 2$	2
4	903019-0003		BOLT M6*16	3
4	903019-0003-02	ATV	BOLT M6*16	3
5	903002-0002-02		BUSH $\Phi 6 \times 18 \times 1.5$	2
5	903002-0002-06	ATV	BUSH $\Phi 6 \times 18 \times 1.5$	2
6	906002-0001		OIL PIPE CLIP $\Phi 7.5$	3
7	108001-0002	T4	FUEL FILTER	1
8	909010-0020	AY70-2	HEAT INSULATION FILM 206*240*2MM	1
9	906002-0005		OIL PIPE CLIP $\Phi 9$	3
10	906002-0008		OIL PIPE CLIP $\Phi 11$	1
11	805004-0011	AU200	NEGATIVE PRESSURE SWITCH	1
12	903006-0002-02	ATV	NUT M6	1
12	903006-0002-06	ATV	NUT M6	1
13	906002-0002		OIL PIPE CLIP $\Phi 8$	1
14	906002-0003		OIL PIPE CLIP $\Phi 8.2$	1
15	906002-0004		OIL PIPE CLIP $\Phi 8.5$	1

Cover Assy



No.	Code	Model	Name	Qty.
1	803001-0002	AY70-2	HEAD COVER	1
2	308006-0002	AY70-2	HEAD LIGHT BRACKET	1
3	803001-0001-03	AY70-2	MAIN PLASTIC	1
4	803001-0003	AY70-2	LEFT FOOTPEGS PLASTIC	1
5	803001-0004	AY70-2	RIGHT FOOTPEGS PLASTIC	1
6	701000-0039-02	AY70-2	SEAT	1
7	903010-0004-02	ATV	SCREW ST4.2*12	7
7	903010-0004-06	ATV	SCREW ST4.2*12	7
8	903006-0002-02	ATV	NUT M6	18
8	903006-0002-06	ATV	NUT M6	18
9	908003-0002		WASHER Φ 5.5*15*2	28
10	903012-0007-02	ATV	SCREW TM6*16	28
10	903020-0055	ATV	BOLT M6*16	28
11	903002-0001-02		BUSH Φ 6*12*1.5	3
11	903002-0001-06	ATV	BUSH Φ 6*12*1.5	3
12	903008-0020-2	ATV	NUT M6 20*16*1.0	2
12	903008-0020-03	ATV	NUT M6 20*16*1.0	2
13	903007-0002-02	ATV	NUT M6	8
13	903007-0002-03	ATV	NUT M6	8

Sticker



ORANGE KTM



GRAY METALLIC

No.	Code	Model	Name	Qty.
1	804001-0058	AY70-2	STICKER-MOQ=21SETS	1
1	804001-0058-02		STICKER-MOQ=21SETS	1
2	804001-0059	AY70-2	HANDLEBAR FOAM COVER	1