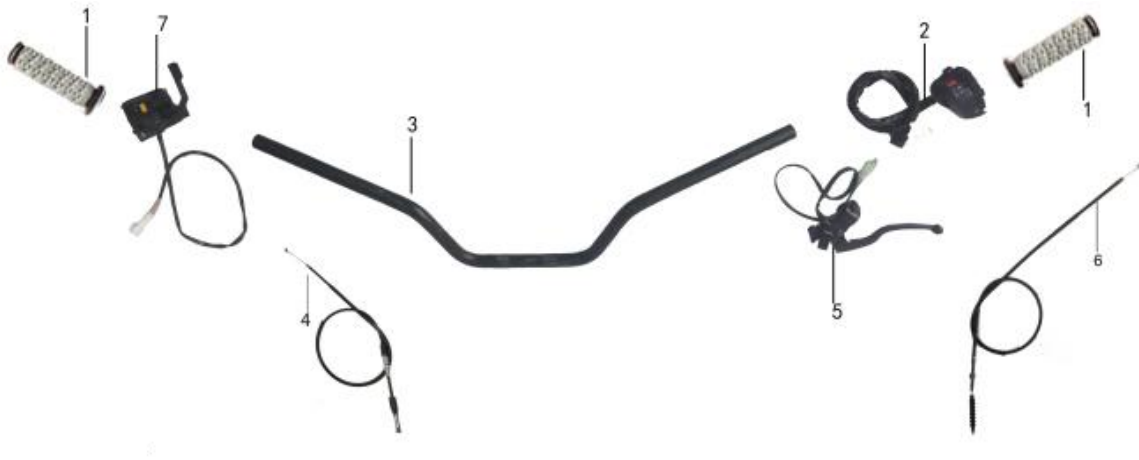


2023 AU300 Parts Catalog

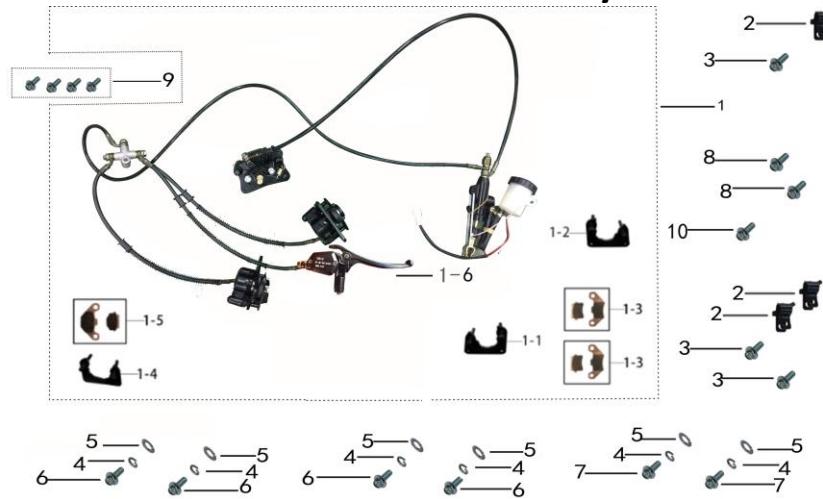


Steering handle assembly



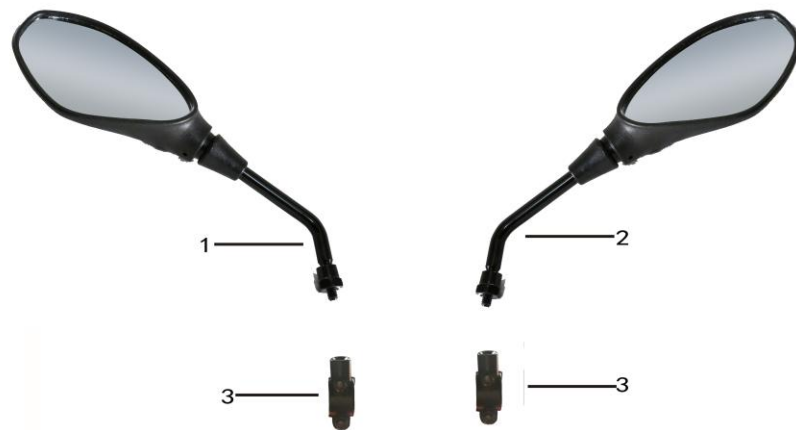
No.	Code	Model	Name	Qty.
1	602006-0026		BAR GRIP/BLACK	2
1	602006-0032		GRIP ASSY.	2
2	313001-0019	AU300	COMBINATION SWITCH	1
2	313001-0021		COMBINATION SWITCH	1
3	602001-0024	AU200	STEEL STEERING HANDLE	1
3	602001-0018		STEEL STEERING HANDLE	1
4	602014-0027	A300	THROTTLE CABLE	1
5	404002-0021	AU200	PARKING LEFT HANDLEBAR	1
5	404002-0042		PARKING LEFT HANDLEBAR	1
6	602016-0018	AU300	PARKING CABLE	1
6	602016-0018-02		PARKING CABLE	1
7	602011-0010	AU200	THROTTLE SEAT	1
7	602011-0007		THROTTLE SEAT	1

Front Brake Assembly



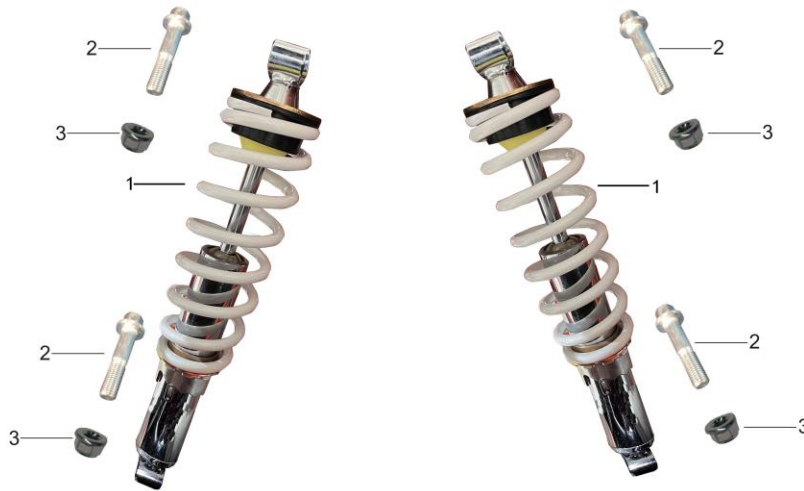
No.	Code	Model	Name	Qty.
1	404000-0177	AU300	DISC BRAKE ASSEMBLY	
1-1	404008-0024	AU300	FRONT DISC BRAKE BRACKET	
1-2	404008-0025	AU300	FRONT DISC BRAKE BRACKET	
1-3	404007-0028	AU300	FRONT DISC BRAKE SHOE	
1-4	405009-0022	AU300	REAR DISC BRAKE BRACKET	
1-5	405008-0022	AU300	REAR DISC BRAKE SHOE	
1-6	404002-0033	AU300	DISC BRAKE HANDLE	
2	405010-0002	TD	REAR DISC BRAKE HOSE CLAMP	
3	903018-0003-02	ATV	HEXAGON SOCKET HEAD SMALL BOLTS GB5787 M6*12	
3	903018-0003-06	ATV	HEXAGON SOCKET HEAD SMALL BOLTS GB5787 M6*12	
4	903001-0003	ATV	SPRING PAD GB93-87 $\Phi 8*13*2$	
4	903001-0003-02	ATV	SPRING PAD GB93-87 $\Phi 8*13*2$	
5	903002-0004-02	ATV	FLAT PAD GB97.1-85 $\Phi 8*16*1.5$	
5	903002-0004-06	ATV	FLAT PAD GB97.1-85 $\Phi 8*16*1.5$	
6	903019-0014-02	ATV	HEXAGON SOCKET LARGE FLANGE BOLTS GB5789 M8*25	
6	903019-0014-03	ATV	HEXAGON SOCKET LARGE FLANGE BOLTS GB5789 M8*25	
7	903019-0013-02	ATV	HEXAGON SOCKET LARGE FLANGE BOLTS GB5789 M8*20	
7	903019-0013-06	ATV	HEXAGON SOCKET LARGE FLANGE BOLTS GB5789 M8*20	
8	903019-0005-02	TD	HEXAGON SOCKET LARGE FLANGE BOLTS GB5789 M6*20	
8	903019-0005-03	TD	HEXAGON SOCKET LARGE FLANGE BOLTS GB5789 M6*20	
9	903019-0006		HEXAGON SOCKET LARGE FLANGE BOLTS GB5789 M6*25	
9	903019-0006-02	ATV	HEXAGON SOCKET LARGE FLANGE BOLTS GB5789 M6*25	
10	903019-0003		HEXAGON SOCKET LARGE FLANGE BOLTS GB5789 M6*16	
10	903019-0003-02	ATV	HEXAGON SOCKET CAP FLANGE BOLTS GB5789 M6*16	

Rear View Mirror Assembly



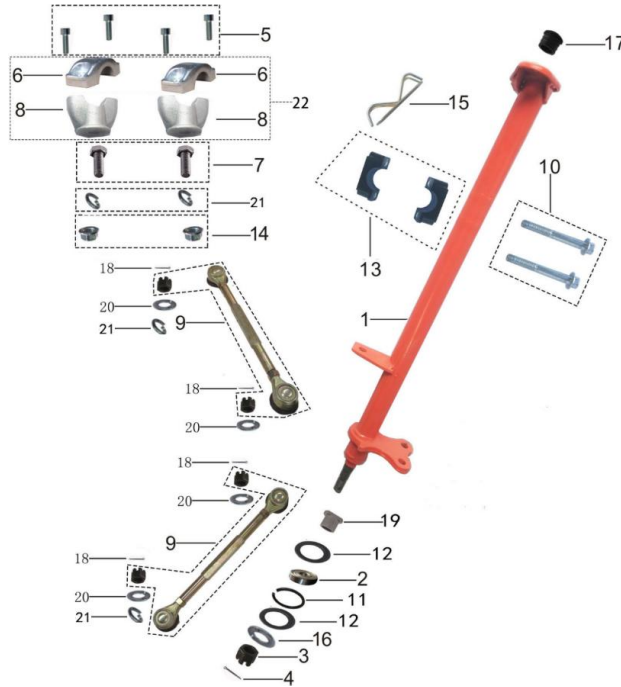
No.	Code	Model	Name	Qty.
1	602010-0002	T2	LEFT REAR VIEW MIRROR	1
1	602010-0006		LEFT REAR VIEW MIRROR	1
2	602010-0003	T2	RIGHT REAR VIEW MIRROR	1
2	602010-0007		RIGHT REAR VIEW MIRROR	1
3	602010-0001	AU200	REAR VIEW MIRROR HOLDER	2
3	602010-0009		REAR VIEW MIRROR HOLDER	2

Front Shock Absorber Assembly



No.	Code	Model	Name	Qty.
1	501000-0130	AU300	FRONT FORK L=370 Ø8.5	2
1	501000-0156		FRONT SHOCK ABSORBER ASSEMBLY	2
2	903018-0034	ATV	HEXAGON SOCKET HEAD SMALL HEAD FLANGE BOLTS GB5787 M10*50*1.25	4
2	903018-0034-02	ATV	FLANGE BOLT-M10*50*1.25	4
2	903018-0056-02	ATV	FLANGE BOLT-M10*55*1.25	4
3	903007-0006		HEXAGONAL FLANGE SELF-LOCKING NUTS GB6187-86 M10*1.25	4
3	903007-0006-02		HEXAGONAL FLANGE SELF-LOCKING NUTS GB6187-86 M10*1.25	4

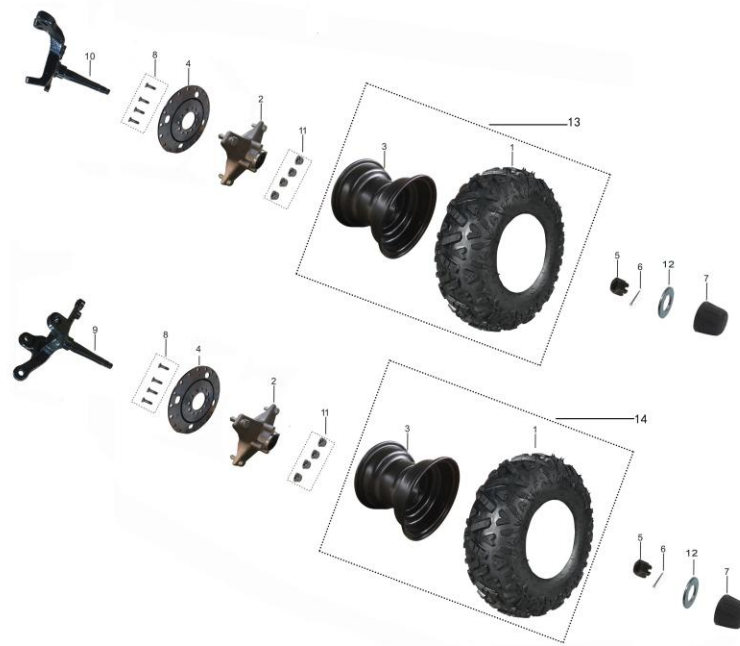
Steering Column Assembly



No.	Code	Model	Name	Qty.
1	566000-0022-01	AU300	STEERING COLUMN/METALWORK	1
2	907001-0007	ATV	BEARING	1
3	903008-0010	ATV	SLOTTED NUTS GB9457-1988 M12*1.25	1
3	903008-0010-03	ATV	SLOTTED NUTS GB9457-1988 M12*1.25	1
4	904002-0004-02	ATV	COTTER PINS GB91	1
4	904002-0004-03	ATV	COTTER PINS GB91	1
5	903013-0022-02		HEXAGON SOCKET CHEESE HEAD SCREWS GB70-85 M8*35	4
5	903013-0022-06	ATV	HEXAGON SOCKET CHEESE HEAD SCREWS GB70-85 M8*35	4
6	601003-0004	ATV	CASTING UPPER PRESSURE BLOCK	2
7	903017-0011	ATV	HEXAGON SOCKET HEAD CAP SCREWS GB5783 M10*30*1.5	2
7	903017-0011-02	ATV	HEXAGON SOCKET HEAD CAP SCREWS GB5783 M10*30*1.5	2
8	601004-0005	ATV	CASTING LOWER BLOCK	2
9	603001-0030	AU300	STEERING PULL ROD L=300 M10*1.25*26+M10*1.25*26/M10*2	2
9	603001-0040	AU300	STEERING PULL ROD	2
9	603001-0040-02	AU300	STEERING PULL ROD	2
10	903018-0017	A150	HEXAGON SOCKET HEAD SMALL FLANGE BOLTS GB5787 M8*65	2

10	903018-0017-06	A150	HEXAGON SOCKET HEAD SMALL FLANGE BOLTS GB5787 M8*65	2
11	903004-0001	ATV	STEEL WIRE RETAINING RING	1
12	908001-0002	ATV	OIL SEAL	2
13	603004-0004	A150	STEERING COLUMN CLAMP	2
13	603004-0004-02		STEERING COLUMN CLAMPING BLOCK	2
14	903007-0007		HEXAGONAL FLANGE SELF-LOCKING NUTS GB6187-86 M10*1.5	2
14	903007-0007-03		HEXAGONAL FLANGE SELF-LOCKING NUT GB6187-86 M10*1.5	2
15	601004-0018		STEERING COLUMN LOCKING PLATE	1
15	568000-0159		CLIP	1
15	568000-0159-02		CLIP	1
16	903002-0010-02	ATV	FLAT PAD GB97.1-85 Φ 12*24*2	1
16	903002-0010-03	AT110	FLAT GASKET GB97.1-85 Φ 12*24*2	1
17	908007-0015	ATV	RUBBER COLUMN PLUGS	1
18	904002-0002-02	ATV	COTTER PIN GB91	4
18	904002-0002-03	AU200	COTTER PIN GB91	4
19	902002-0030	ATV	STEERING COLUMN STEEL BUSHINGS	1
20	903002-0008-02	ATV	FLAT WASHERS GB97.1-85 Φ 10*20*2	4
20	903002-0008-06	ATV	FLAT WASHERS GB97.1-85 Φ 10*20*2	4
21	903001-0005	ATV	SPRING PAD GB93-87 Φ 10.5*16*3	2
21	903001-0005-02	ATV	SPRING WASHER Φ 10.5*16*3	4
22	C90004-0177	AT110	UPPER AND LOWER CLAMPING BLOCK ASSEMBLY	1

Front Wheel Assembly



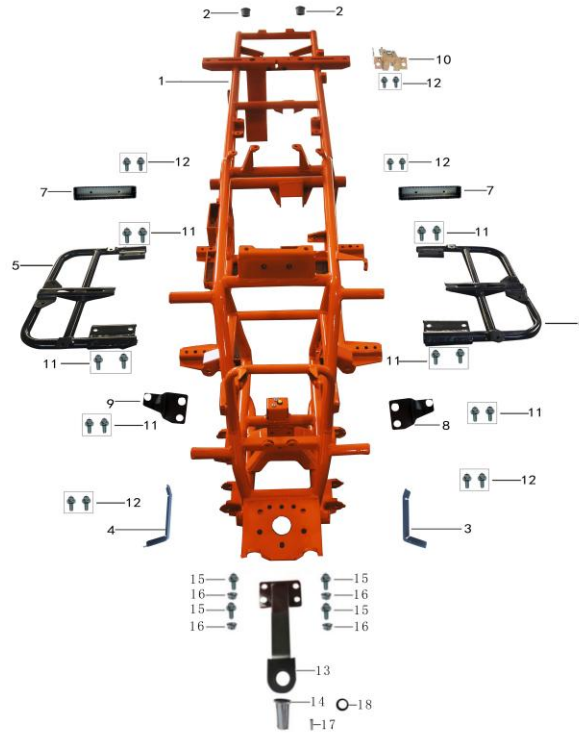
No.	Code	Model	Name	Qty.
1	401006-0055	AU300	FRONT TYRE	2
1	401006-0058	AU300	FRONT WHEEL OUTER TYRE	2
2	401003-0011	AU200	FRONT HUB 4*Φ156	2
2	401003-0023		FRONT HUB 4*Φ156	2
3	401000-0096	AU300	FRONT RIM	2
4	404001-0016	AU200	FRONT DISC BRAKE DISC	2
5	903008-0011	ATV	SLOTTED NUTS GB9457-1988 M14*1.5*H18	2
5	903008-0011-02	ATV	SLOTTED NUTS GB9457-1988 M14*1.5*H18	2
6	904002-0004-02	ATV	COTTER PIN GB91	2
6	904002-0004-03	ATV	COTTER PIN GB91	2
7	908007-0003	ATV	REAR AXLE RUBBER DUST COVER	2
8	903014-0005	KT50	HEXAGON SOCKET HEAD SCREWS GB70.3 M8*20	8
8	903014-0005-02	KT50	HEXAGON SOCKET HEAD SCREWS GB70.3 M8*20	8
9	603002-0013	AU200	LEFT STEERING KNOT	1
9	603002-0050		LEFT STEERING KNOT	1
10	603002-0014	AU200	RIGHT STEERING KNOT	1
10	603002-0051		RIGHT STEERING KNOT	1
11	903008-0033	AU180	TYRE NUT M10*1.25 60°	8
12	505002-0002	AU200	DUST COVER GASKET Φ16.5*53*2	2
13	401012-0043-02	AU300	FRONT RIGHT WHEEL	1
13	C90004-0183		FRONT RIGHT WHEEL ASSEMBLY	1
14	401012-0043	AU300	FRONT LEFT WHEEL	1
14	C90004-0182		FRONT LEFT WHEEL ASSEMBLY	1

Rear Wheel Assembly



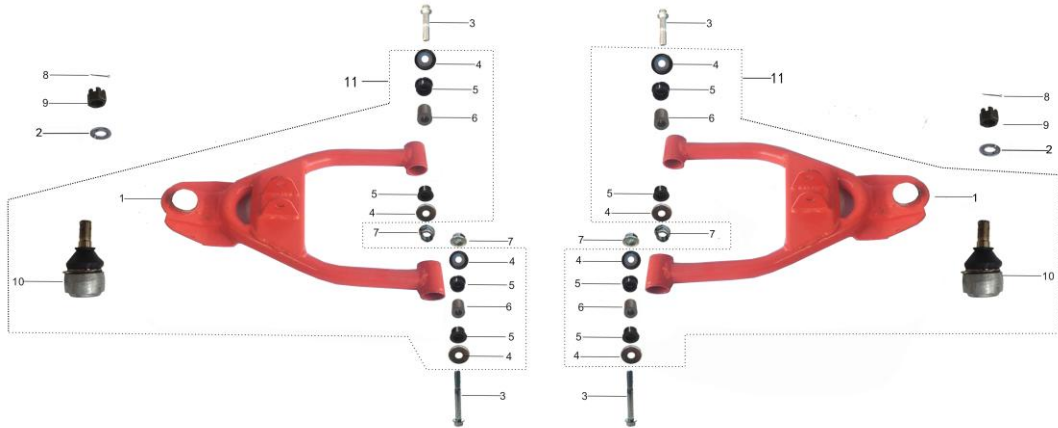
No.	Code	Model	Name	Qty.
1	402006-0043	AU300	REAR TYRE	2
1	402006-0045	AU300	REAR WHEEL OUTER TYRE	2
2	903008-0033	AU180	TYRE NUT	8
3	402000-0102	AU180	REAR RIM	2
4	908007-0003	ATV	REAR AXLE RUBBER DUST CAP	2
5	505002-0006	AU150	DUST COVER GASKET	2
6	402008-0039-02	AU300	REAR RIGHT WHEEL	1
6	C90004-0185		REAR RIGHT WHEEL ASSEMBLY	1
7	402008-0039	AU300	REAR LEFT WHEEL	1
7	C90004-0184		REAR LEFT WHEEL ASSEMBLY	1

Frame Assembly



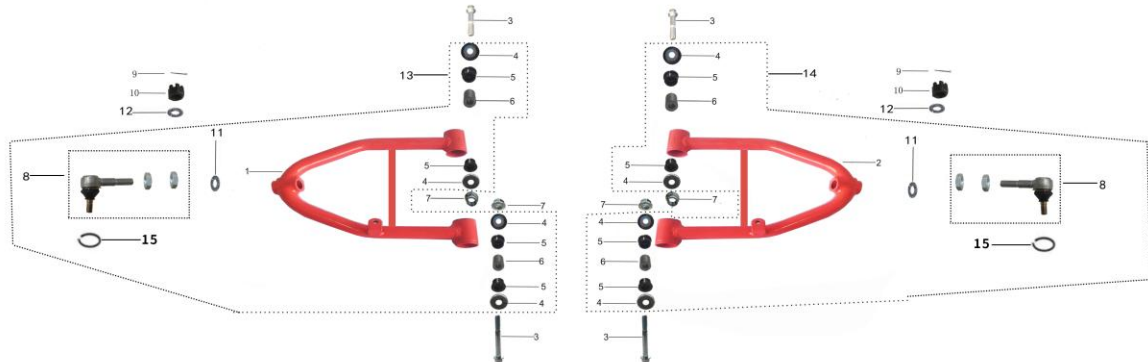
No.	Code	Model	Name	Qty.
1	561000-0062-01	AU300	FRAME ASSEMBLY/METALWORK	1
2	908004-0014	AU300	RUBBER PLUG	2
3	568000-0125	AU300	HEADLIGHT MOUNTING BRACKET-LEFT	1
4	568000-0126	AU300	HEADLIGHT MOUNTING BRACKET-RIGHT	1
5	567000-0024-01	AU300	RIGHT PEDAL ASSEMBLY/KINKO'S	1
6	567000-0023-01	AU300	LEFT PEDAL ASSEMBLY/KIMIKO	1
7	567000-0029	AU300	STEEL FOOTREST	2
8	568000-0123	AU300	ENGINE LIFTING LUG-LEFT	1
9	568000-0124	AU300	ENGINE LIFTING LUG-RIGHT	1
10	315007-0001		CUSHION LOCK PLATE	1
11	903019-0013-02	ATV	HEXAGON SOCKET HEAD BOLTS GB5789 M8*20	12
11	903019-0013-06	ATV	HEXAGON SOCKET HEAD CAP BOLTS GB5789 M8*20	12
12	903019-0003		HEXAGON SOCKET LARGE HEAD BOLTS GB5789 M6*16	10
12	903019-0003-02	ATV	HEXAGON SOCKET HEAD CAP BOLTS GB5789 M6*16	10
13	568000-0059-01	AU200-T3	FRONT TOW HITCH ASSEMBLY/METALWORK	1
14	904004-0002	AU200	FRONT TOW PINS	1
15	903018-0031-02		HEXAGON SOCKET HEAD BOLTS GB5787 M10*30*1.5	4
16	903007-0007-03		HEXAGONAL SELF-LOCKING NUTS GB6187-86 M10*1.5	4
17	904001-0004	AU200	PIN GB882-86	1
18	908005-0002	TD	RUBBER O-RING	1

Lower Rocker Arm Assembly



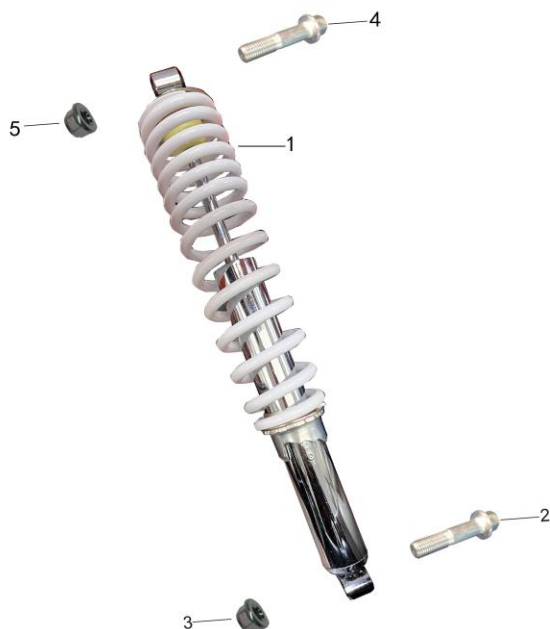
No.	Code	Model	Name	Qty.
1	565000-0074-01	AU300	LOWER LEFT ROCKER ARM / METALWORK	2
1	565000-0105-01	AU300	LEFT LOWER ROCKER ARM/ORANGE	2
2	903002-0010-02		FLAT PAD GB97.1-85 $\Phi 12*24*2$	2
2	903002-0010-03	ATV	FLAT GASKET GB97.1-85 $\Phi 12*24*2$	2
3	903019-0021	ATV	HEXAGON SOCKET BIG HEAD FLANGE BOLTS GB5789 M10*80*1.25	4
3	903019-0021-02	ATV	HEXAGONAL LARGE HEAD FLANGE BOLTS GB5789 M10*80*1.25	4
4	908007-0006	ATV	SEAL COVER ' $\Phi 10*35*H8+\Phi 27.5*6.5$	8
4	908007-0006-02			8
5	902002-0038	A250	ROCKER ARM WEAR REDUCING BUSHING	8
6	902001-0039	A250	LOWER ROCKER ARM FLAT BUSHING	4
7	903007-0006		HEXAGONAL SELF-LOCKING NUTS GB6187-86 M10*1.25	4
7	903007-0006-02		HEXAGONAL FLANGE SELF-LOCKING NUTS GB6187- 86 M10*1.25	4
8	904002-0002-02		COTTER PIN GB91	2
8	904002-0002-03	ATV	COTTER PIN GB91	2
9	903008-0010	ATV	SLOTTED NUTS GB9457-1988 M12*1.25	2
9	903008-0010-03	ATV	SLOTTED NUTS GB9457-1988 M12*1.25	2
10	603003-0010	AU200	LINKAGE BALL-LOWER	2
10	603003-0017		LINKAGE BALL-LOWER	2
10	603003-0017-02		LINKAGE BALL-LOWER	2
11	C90004-0116-02		LEFT AND RIGHT LOWER ROCKER ARM ASSEMBLIES	2
11	C90004-0226		LOWER ROCKER ARM ASSEMBLIES	2
12	903004-0016		SHAFT RETAINING RING	2

Upper Rocker Assembly



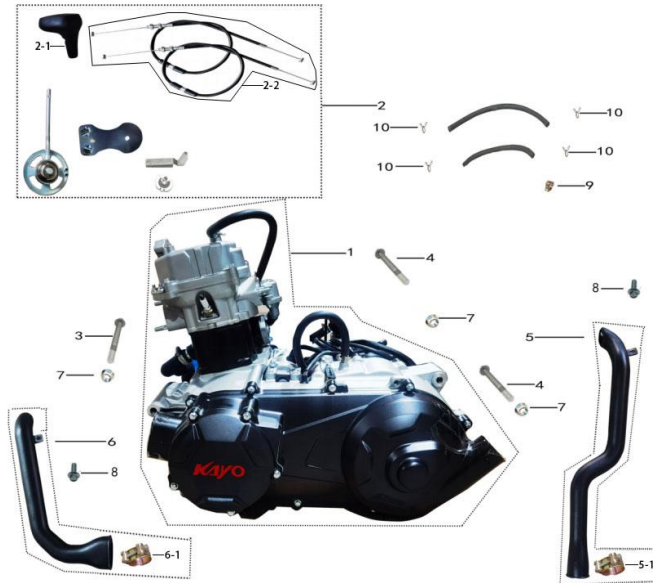
No.	Code	Model	Name	Qty.
1	565000-0072-01	AU300	LEFT UPPER ROCKER ARM/METAL WORK	1
1	565000-0103-0201	AU300	LEFT UPPER ROCKER ARM/METAL WORK	1
2	565000-0073-01	AU300	RIGHT UPPER ROCKER ARM/JINKONG	1
2	565000-0104-0201	AU300	RIGHT UPPER ROCKER ARM/JINKONG	1
3	903019-0021	ATV	HEXAGON SOCKET HEAD CAP FLANGE BOLTS GB5789 M10*80*1.25	4
3	903019-0021-06	ATV	HEXAGON SOCKET HEAD CAP FLANGE BOLTS GB5789 M10*80*1.25	4
4	908007-0006	ATV	SEAL COVER 'Φ10*35*H8+Φ27.5*6.5	4
4	908007-0006-02		SEAL COVER 'Φ10*35*H8+Φ27.5*6.5	4
5	902002-0038	A250	ROCKER ARM ANTI-FRICTION BUSHING	8
6	902001-0039	A250	LOWER ROCKER ARM LINER PIPE	4
7	903007-0006		HEXAGONAL SELF-LOCKING NUTS GB6187-86 M10*1.25	4
7	903007-0006-02		HEXAGONAL SELF-LOCKING NUTS GB6187-86 M10*1.25	4
8	603003-0009	AU200	ROCKER ARM BALL HEAD ASSEMBLY – UPPER	2
8	603003-0016		LINKAGE BALL-UPPER	2
8	603003-0016-02		LINKAGE BALL-UPPER	2
9	904002-0002-02		COTTER PIN GB91	2
9	904002-0002-03	ATV	COTTER PIN GB91	2
10	903008-0010	ATV	SLOTTED NUTS GB9457-1988 M12*1.25	2
10	903008-0010-03	ATV	SLOTTED NUTS GB9457-1988 M12*1.25	2
11	903001-0008	AU200	SPRING WASHERS GB93-87 Φ16.5*24*3.5	2
11	903001-0008-02	AU200	SPRING WASHERS GB93-87 Φ16.5*24*3.5	2
12	903002-0010-02		FLAT WASHERS GB97.1-85 Φ12*24*2	2
12	903002-0010-03	ATV	FLAT PAD GB97.1-85 Φ12*24*2	2
13	C90004-0114-02		LEFT UPPER ROCKER ARM ASSEMBLY	1
13	C90004-0224		LEFT UPPER ROCKER ARM ASSEMBLY	1
14	C90004-0115-02		RIGHT UPPER ROCKER ARM ASSEMBLY	1
14	C90004-0225		RIGHT UPPER ROCKER ARM ASSEMBLY	1
15	903004-0016		SHAFT RETAINING RING	2

Rear Shock Absorber Assembly



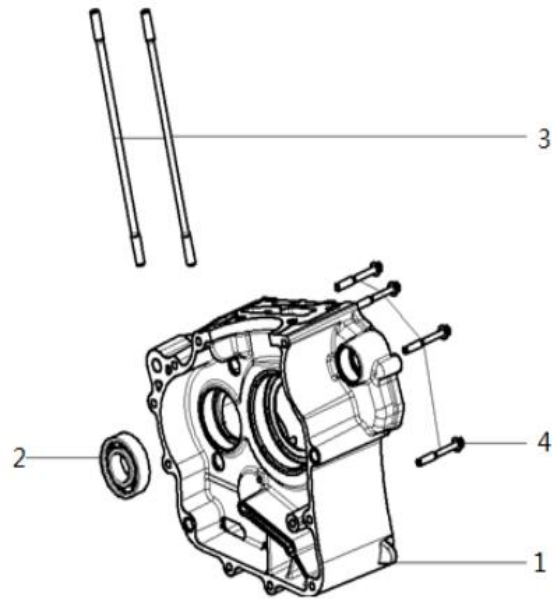
No.	Code	Model	Name	Qty.
1	502000-0092	AU300	REAR SHOCK ABSORBER ASSEMBLY	1
1	502000-0104		REAR SHOCK L=470 Φ10	1
1	502000-0114		REAR SHOCK L=470 Φ10	1
2	903018-0053	T1	HEXAGON SOCKET HEAD SMALL FLANGE BOLTS GB5787 M12*65*1.25	1
2	903018-0053-02	T1	HEXAGON SMALL HEAD FLANGE BOLTS GB5787 M12*65*1.25	1
3	903007-0008		HEXAGONAL FLANGE SELF-LOCKING NUTS GB6187-86 M12*1.25	1
3	903007-0008-02	ATV	HEXAGONAL FLANGE SELF-LOCKING NUTS GB6187-86 M12*1.25	1
4	903018-0034	ATV	HEXAGON SMALL HEAD FLANGE BOLTS GB5787 M10*50*1.25	1
4	903018-0034-02	ATV	FLANGE BOLT-M10*50*1.25	1
4	903018-0056-02	ATV	FLANGE BOLT-M10*55*1.25	1
5	903007-0006		HEXAGONAL FLANGE SELF-LOCKING NUTS GB6187-86 M10*1.25	1
5	903007-0006-02		HEXAGONAL FLANGE SELF-LOCKING NUTS GB6187-86 M10*1.25	1

Engine Assembly



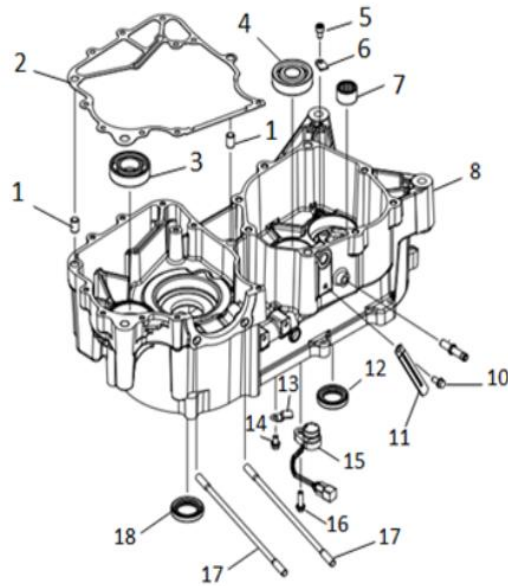
No.	Code	Model	Name	Qty.
1	101000-0613	AU300	ENGINE ASSY.	1
1	101000-0613-04		ENGINE ASSY.	1
2	201001-0006	AU300	SHIFT MECHANISM	1
2-1	201001-0007	AU300	SHIFT LEVER	1
2-2	602016-0029	AU300	SHIFT CABLE	2
3	901001-0009	AU180	FLANGE SHAFT	1
4	903019-0023		HEXAGON SOCKET HEAD CAP FLANGE BOLTS MT M10*90*1.25	2
5	908007-0058	AU300	ENGINE INLET PIPE	1
5-1	906001-0007	AU300	CLAMP	1
6	908007-0059	AU300	ENGINE AIR DUCT	1
6-1	906001-0011	AU300	CLAMP	1
7	903007-0006		HEXAGONAL FLANGE SELF-LOCKING NUTS GB6187- 86 M10*1.25	3
7	903007-0006-02		HEXAGONAL FLANGE SELF-LOCKING NUTS GB6187- 86 M10*1.25	3
8	903019-0003		HEXAGON LARGE HEAD FLANGE BOLTS GB5789 M6*16	2
8	903019-0003-02	ATV	HEXAGONAL LARGE HEAD FLANGE BOLTS GB5789 M6*16	2
9	103003-0004		OIL-COOLED PIPE CLAMPS	1
10	906002-0007	ATV	PIPE CLAMPS	4
10	906001-0010		CLAMPS	4

Right Crankcase Assy



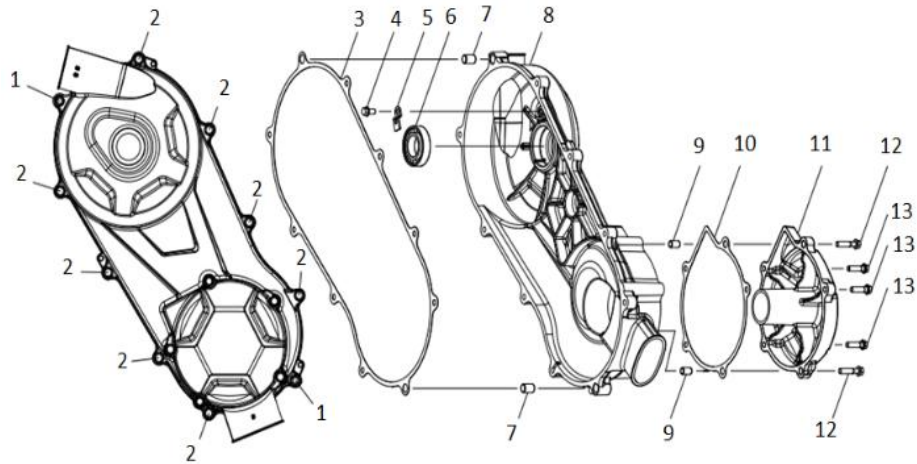
No.	Code	Name	Qty.
1	101040-0133	RIGHT CRANKCASE	1
2	101040-0289	BALL BEARING	1
3	101040-0137	DOUBLE-BOLT	2
4	101040-0252	HEXAGON BOLT WITH FLANGE	4

Left Crankcase Assy



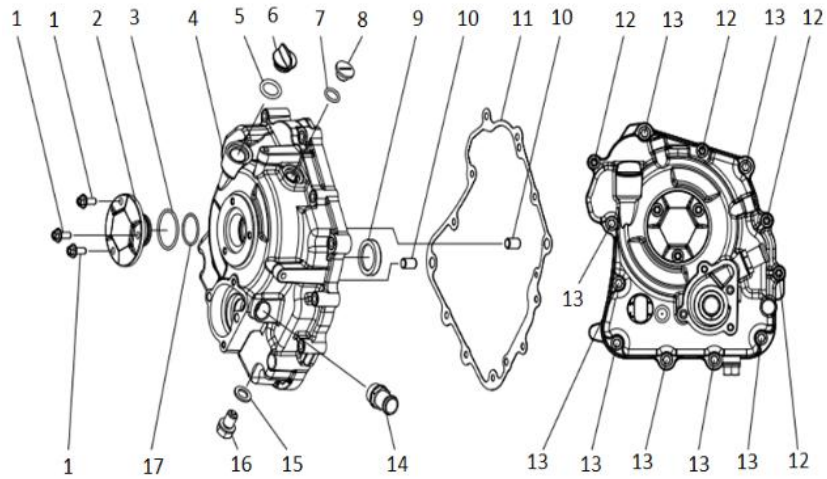
No.	Code	Name	Qty.
1	101040-0282	LOCATING PIN	2
2	101040-0134	CRANKSHAFT GASKET	1
3	101040-0289	BALL BEARING	1
4	101040-0288	BALL BEARING	1
5	101040-0242	HEXAGON BOLT WITH FLANGE	1
6	101040-0208	MAIN SHAFT BEARING PLATE	1
7	101040-0285	BALL BEARING	1
8	101040-0132	LEFT CRANKCASE	1
10	101040-0242	HEXAGON BOLT WITH FLANGE	1
11	101040-0312	CLAMP,WIRE	1
12	101040-0296	OIL SEAL	1
13	101040-0234	VACANT SWITCH	1
14	101040-0241	HEXAGON BOLT WITH FLANGE	1
15	101040-0232	GEAR DISPLAY SWITCH COMPONENTS	1
16	101040-0244	HEXAGON BOLT WITH FLANGE	1
17	101040-0138	DOUBLE-BOLT	2
18	101040-0297	OIL SEAL	1

Left Crankcase Cover Assy



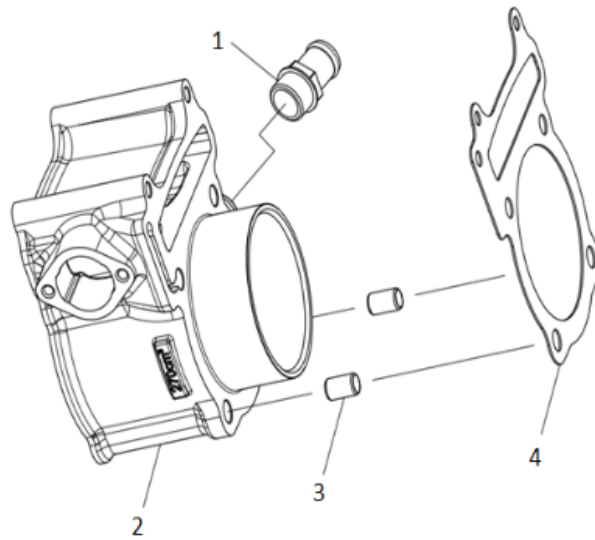
No.	Code	Name	Qty.
1	101040-0250	HEXAGON BOLT WITH FLANGE	2
2	101040-0247	HEXAGON BOLT WITH FLANGE	8
3	101040-0142	LEFT FRONT COVER GASKET	1
4	101040-0242	HEXAGON BOLT WITH FLANGE	1
5	101040-0209	MAIN SHAFT BEARING PLATE	1
6	101040-0287	BALL BEARING	1
7	101040-0282	LOCATING PIN	2
8	101040-0141	LEFT CRANKCASE COVE	1
9	101040-0281	LOCATING PIN	2
10	101040-0152	L ADORN COVER GASKET	1
11	101040-0143	COVER, LEFT DECORATING COVER	1
12	101040-0249	HEXAGON BOLT WITH FLANGE	2
13	101040-0246	HEXAGON BOLT WITH FLANGE	3

Right Crankcase Cover Assy



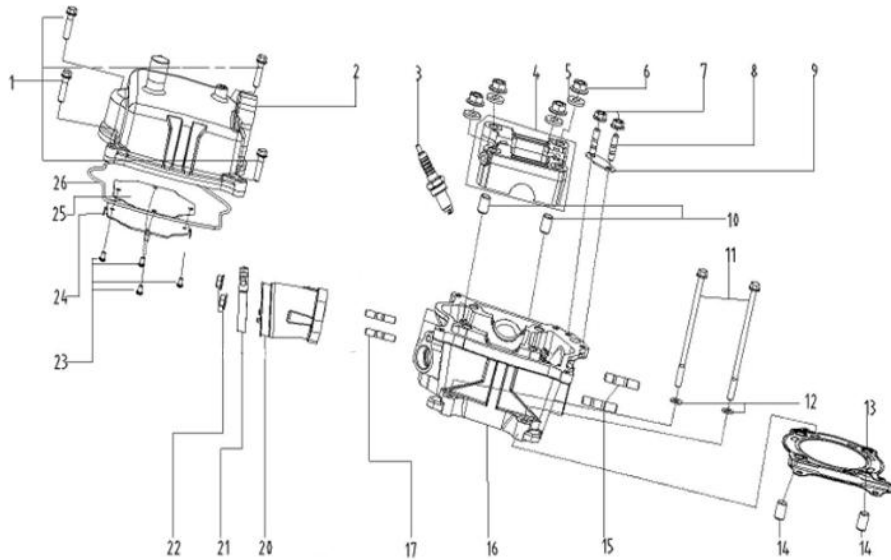
No.	Code	Name	Qty.
1	101040-0238	HEXAGON BOLT WITH FLANGE	3
2	101040-0149	CAP,RIGHT DECORATIVE	1
3	101040-0307	SEAL RING	1
4	101040-0145	RIGHT CRANKCASE COVE	1
5	101040-0308	SEAL RING	1
6	101040-0148	OIL LEVEL GAUGE	1
7	101040-0304	SEAL RING	1
8	101040-0144	SCREW COVER	1
9	101040-0147	THE OIL WINDOW	1
10	101040-0282	LOCATING PIN	2
11	101040-0146	RIGHT CRANKCASE COVER GASKET	1
12	101040-0251	HEXAGON BOLT WITH FLANGE	4
13	101040-0240	HEXAGON BOLT WITH FLANGE	8
14	101040-0301	TUBE UNION	1
15	101040-0266	FLAT WASHER	1
16	101040-0140	SEALING BOLT	1
17	101040-0305	SEAL RING	1

Cylinder Block Assy



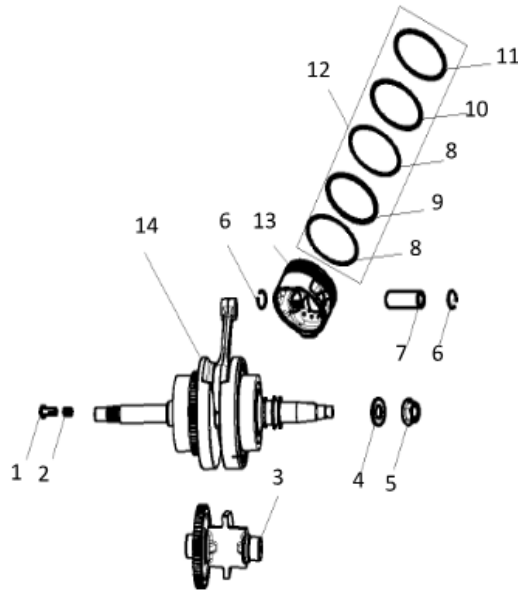
No.	Code	Name	Qty.
1	101040-0301	TUBE UNION	1
2	101040-0153	CYLINDER BLOCK	1
3	101040-0282	LOCATING PIN	2
4	101040-0154	CYLINDER BLOCK GASKET	1

Cylinder Head Assy



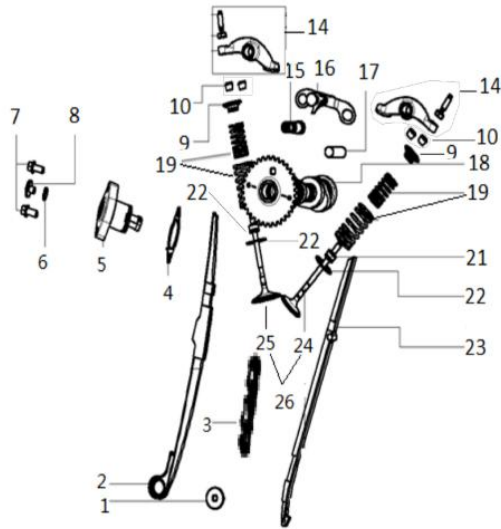
No.	Code	Name	Qty.
1	101040-0246	HEXAGON BOLT WITH FLANGE	4
2	101040-0157	CYLINDER HEAD COVER PARTS COMBINATION	1
3	101040-0235	SPARK PLUG	1
4	101040-0183	ANCHORAGE, ROCKER ARM	1
5	101040-0269	FLAT WASHER	4
6	101040-0262	HEXAGON NUT WITH FLANGE	4
7	101040-0261	HEXAGON NUT WITH FLANGE	2
8	101040-0259	DOUBLE-BOLT	2
9	101040-0205	GASKET, AIR COMPENSATING TUBE	1
10	101040-0282	LOCATING PIN	2
11	101040-0253	HEXAGON BOLT WITH FLANGE	2
12	101040-0268	FLAT WASHER	2
13	101040-0156	CYLINDER HEAD GASKET	1
14	101040-0282	LOCATING PIN	2
15	101040-0258	DOUBLE-BOLT	2
16	101040-0155	CLINDER HEAD	1
17	101040-0257	DOUBLE-BOLT	2
20	101040-0204	INTAKE PIPE	1
21	101040-0313	CLAMP COMBINATION	1
22	101040-0261	HEXAGON NUT WITH FLANGE	2
23	101040-0260	SCREW	4
24	101040-0159	OIL AND GAS SEPARATOR	1
25	101040-0160	OIL AND GAS SEPARATION PLATE GASKET	1
26	101040-0310	SEAL	1

Connecting Rod Comp.



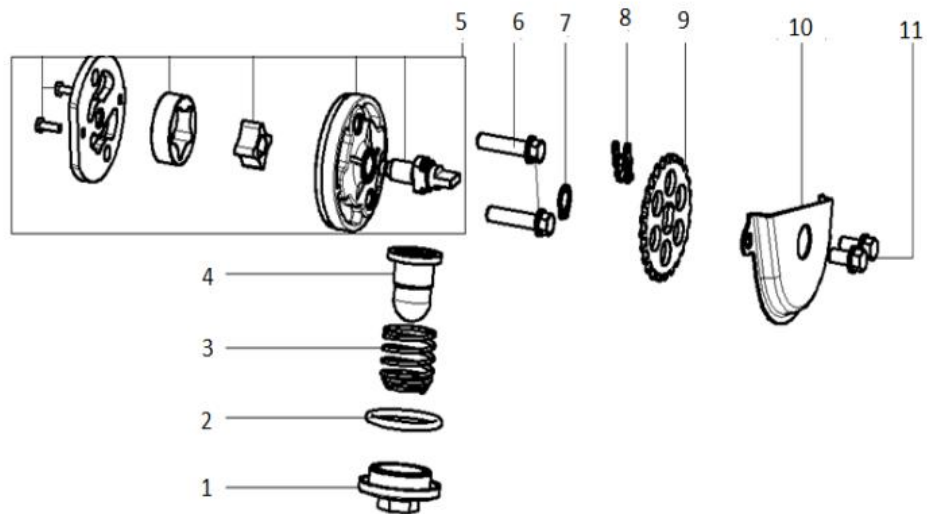
No.	Code	Name	Qty.
1	101040-0196	STEEL OIL TUBE	1
2	101040-0317	PRESSURE SPRING	1
3	101040-0169	BALANCE SHAFT	1
4	101040-0273	FLAT WASHER	1
5	101040-0263	HEXAGON NUT WITH FLANGE	1
6	101040-0280	STEEL CABLE BAFFLE RING	2
7	101040-0162	PISTON PIN	1
8	101040-0167	SHAVING RING	2
9	101040-0166	LINE RING	1
10	101040-0165	PISTON RING 2	1
11	101040-0164	PISTON RING 1	1
12	101040-0163	PISTON RING COMBINATION	1
13	101040-0161	PISTON	1
14	101040-0168	CONNECTING ROD	1

Valve Mechanism



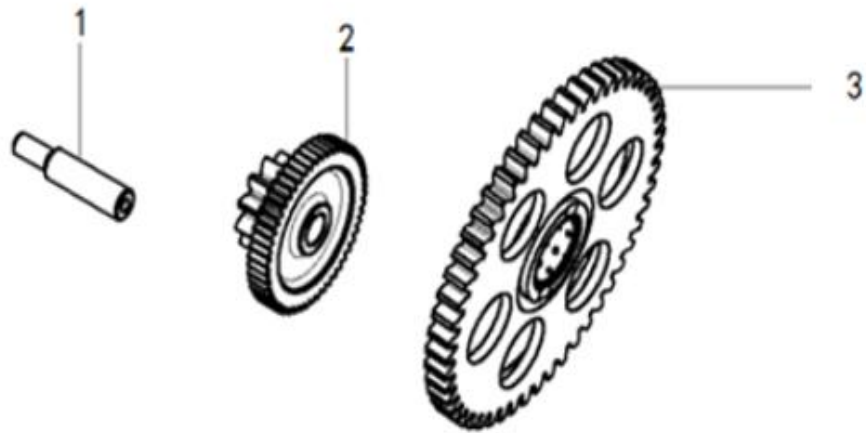
No.	Code	Name	Qty.
1	101040-0189	TENSION PLATE BOLT	1
2	101040-0187	CHAIN TENSION PLATE	1
3	101040-0184	TIMING CHAIN	1
4	101040-0186	TENSIONER SEALING GASKET	1
5	101040-0185	TENSIONER COMBINATION	1
6	101040-0309	SEAL	1
7	101040-0245	HEXAGON BOLT WITH FLANGE	2
8	101040-0190	TENSIONER BOLT	1
9	101040-0177	VALVE SPRING RETAINER	2
10	101040-0178	VALVE LOCKER CLIP	4
14	101040-0180	VALVE ROCKER ARM ASSEMBLY	2
15	101040-0181	VALVE LEVER SHAFT	1
16	101040-0171	CYLINDER HEAD STOP PLATE ASSEMBLY	1
17	101040-0182	VALVE LEVER SHAFT	1
18	101040-0170	CAM SHAFT COMBINATION	1
19	101040-0175	SPRING SET, VALVE	2
21	101040-0179	OIL DRIP PAN	2
22	101040-0176	WASHER, VLAVE OUTER SPRING	2
23	101040-0188	CHAIN GUIDE PLATE	1
24	101040-0174	VALVE EXHAUST	1
25	101040-0173	VALVE INLET	1
26	101040-0172	VALVE KIT	1

Lubricating Mechanism



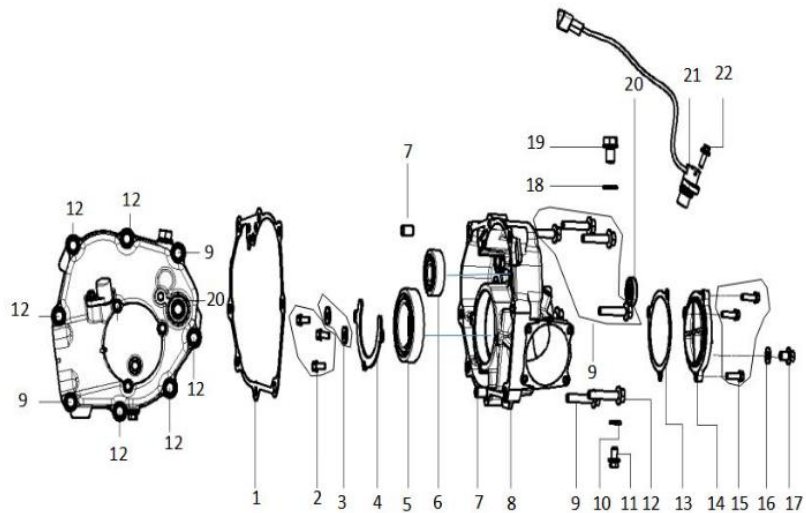
No.	Code	Name	Qty.
1	101040-0158	VALVE COVER	1
2	101040-0306	SEAL	1
3	101040-0318	PRESSURE SPRING	1
4	101040-0195	OIL FILTER	1
5	101040-0191	OIL PUMP ASSEMBLY	1
6	101040-0247	HEXAGON BOLT WITH FLANGE	2
7	101040-0278	CIRCLIP	1
8	101040-0193	OIL PUMP CHAIN	1
9	101040-0192	OIL PUMP DRIVEN GEAR	1
10	101040-0194	COVER, OIL PUMP SPROCKET	1
11	101040-0242	HEXAGON BOLT WITH FLANGE	2

Starting Mechanism



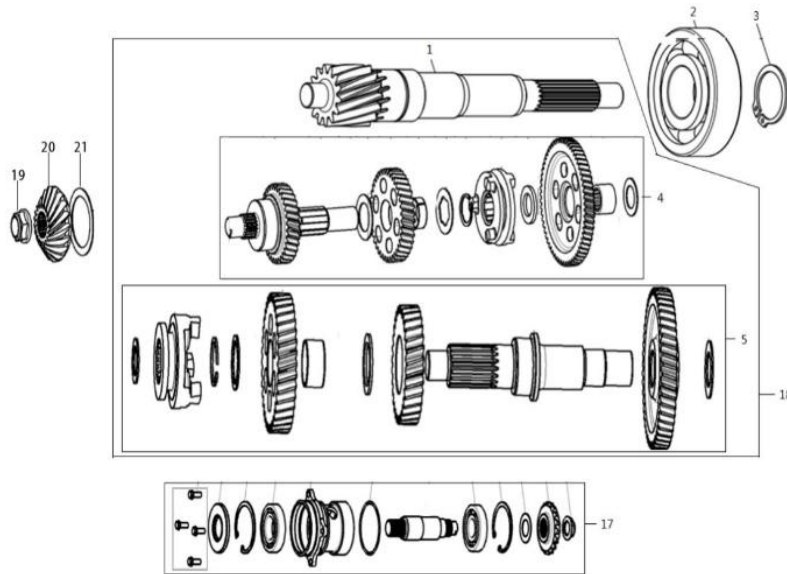
No.	Code	Name	Qty.
1	101040-0221	DUAL GEAR SHAFT	1
2	101040-0220	DUAL GEAR	1
3	101040-0222	DISK GEAR	1

Transmission Case Mechanism



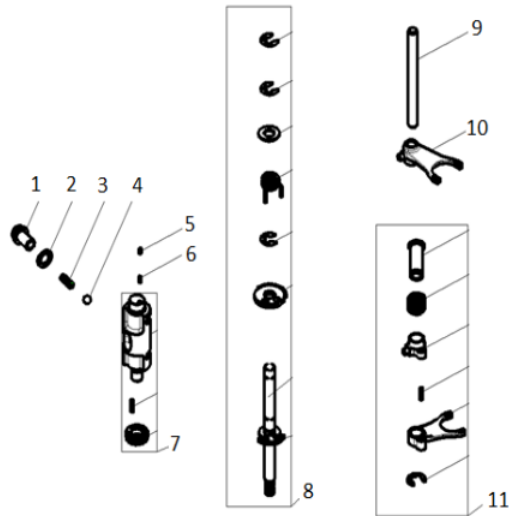
No.	Code	Name	Qty.
1	101040-0136	GASKE, TRANSMISSION CASE	1
2	101040-0242	HEXAGON BOLT WITH FLANGE	3
3	101040-0274	FLAT WASHER	2
4	101040-0211	BEARING PLATE	1
5	101040-0291	BALL BEARING, GB/T 276_6009	1
6	101040-0286	BALL BEARING, GB/T 276_6303/P53	1
7	101040-0282	LOCATING PIN	2
8	101040-0135	TRANSMISSION CASE	1
9	101040-0256	HEXAGON BOLT WITH FLANGE	5
10	101040-0271	FLAT WASHER	1
11	101040-0237	HEXAGON BOLT WITH FLANGE	1
12	101040-0255	HEXAGON BOLT WITH FLANGE	7
13	101040-0151	GASKET, TRANSMISSION CASE COVER	1
14	101040-0150	TRANSMISSION CASE COVER	1
15	101040-0244	HEXAGON BOLT WITH FLANGE	3
16	101040-0271	FLAT WASHER	1
17	101040-0237	HEXAGON BOLT WITH FLANGE	1
18	101040-0266	WASHER	1
19	101040-0139	PLUG OIL DRAIN	1
20	101040-0295	OIL	1
21	101040-0236	SPEED SENSOR	1
22	101040-0238	HEXAGON BOLT WITH FLANGE	1

Transmission Mechanism



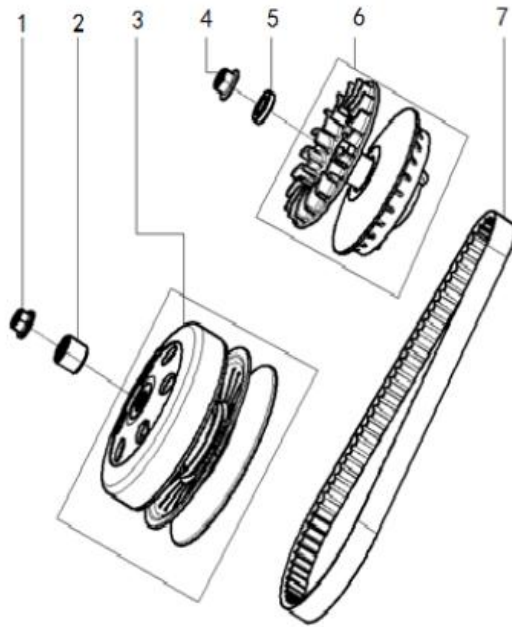
No.	Code	Name	Qty.
1	101040-0207	MAIN SHAFT	1
2	101040-0290	BALL BEARING, GB/T 276_6305	1
3	101040-0279	SNAP RING	1
4	101040-0210	AUXILIARY SHAFT PARTS	1
5	101040-0212	REVERSING INTERMEDIATE SHAFT MEMBER	1
17	101040-0224	OUTPUT SHAFT COMP	1
18	101040-0334	MAINSHAFT&COUNTERSHAFT KIT	1
19	101040-0331	NUT M18×1	1
20	101040-0330	AXLE DRIVE BEVEL PINION	1
21	101040-0332	AXLE DRIVE BEVEL PINION CLEARANCE ADJUSTMENT GASKET	1

Gearshift Mechanism



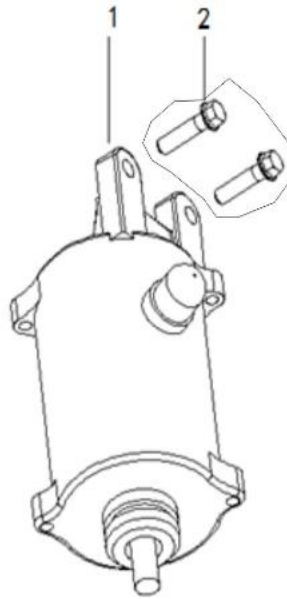
No.	Code	Name	Qty.
1	101040-0254	HEXAGON BOLT WITH FLANGE	1
2	101040-0272	FLAT WASHER	1
3	101040-0315	PRESSURE SPRING	1
4	101040-0294	STEEL BALL	1
5	101040-0233	SHIFT CONTACT, GEAR INDICATOR SWITCH	1
6	101040-0316	PRESSURE SPRING	1
7	101040-0213	VARIABLE SPEED DRUM ASSEMBLY	1
8	101040-0216	SHIFT SHAFT ASSEMBLY	1
9	101040-0215	SHIFTING FORK SHAFT	1
10	101040-0214	SHIFTING FORK	1
11	101040-0223	SHIFTING FORK COMBINATION	1

Driving Pulley Assy



No.	Code	Name	Qty.
1	101040-0264	ALL-METAL HEXAGON FLANGE LOCKING NUT	1
2	101040-0303	SLEEVE	1
3	101040-0218	DRIVEN PULLEY UNIT	1
4	101040-0263	ALL-METAL HEXAGON FLANGE LOCKING NUT	1
5	101040-0302	BUSH	1
6	101040-0217	DRIVING PULLEY UNIT	1
7	101040-0219	BELT	1

Starting Motor Assy

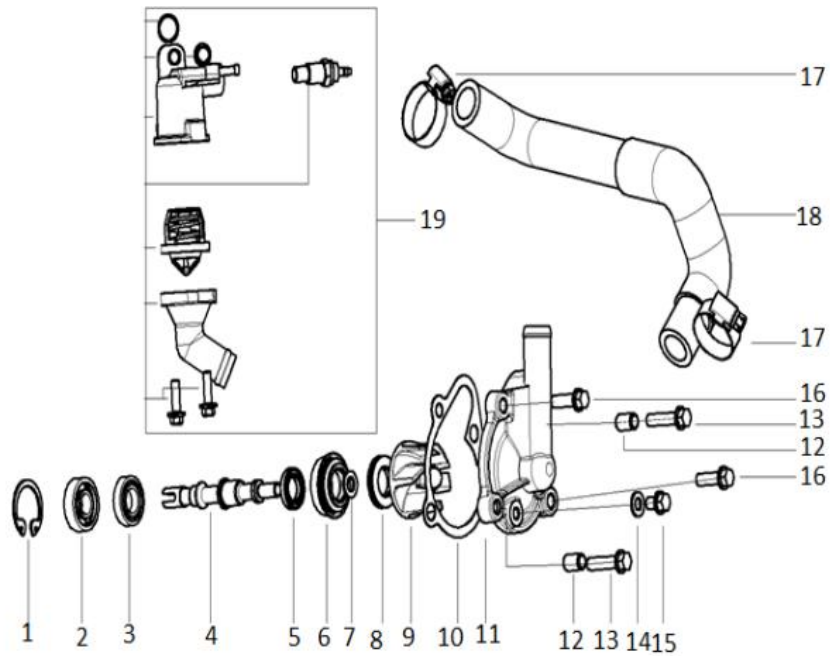


No.	Code	Name	Qty.
1	101040-0231	MOTOR, STARTING	1
2	101040-0246	HEXAGON BOLT WITH FLANGE	2

Magneto Assy

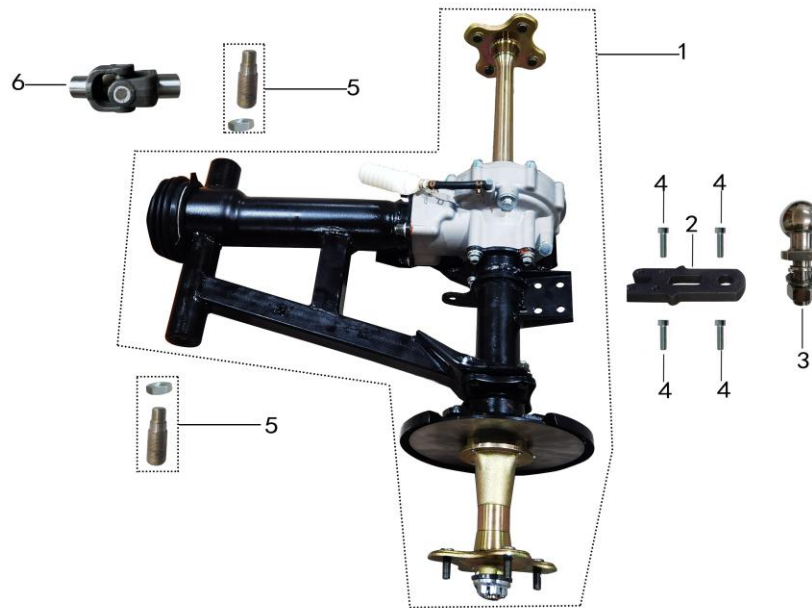
No.	Code	Name	Qty.
1	101040-0392	ROTOR SET, MAGNETO	1
2	101040-0239	HEXAGON BOLT WITH FLANGE	3
3	101040-0243	HEXAGON BOLT WITH FLANGE	2
4	101040-0229	ROTOR SET, MAGNETO	1
5	101040-0228	MAGNETO ASSY	1

Cooling System



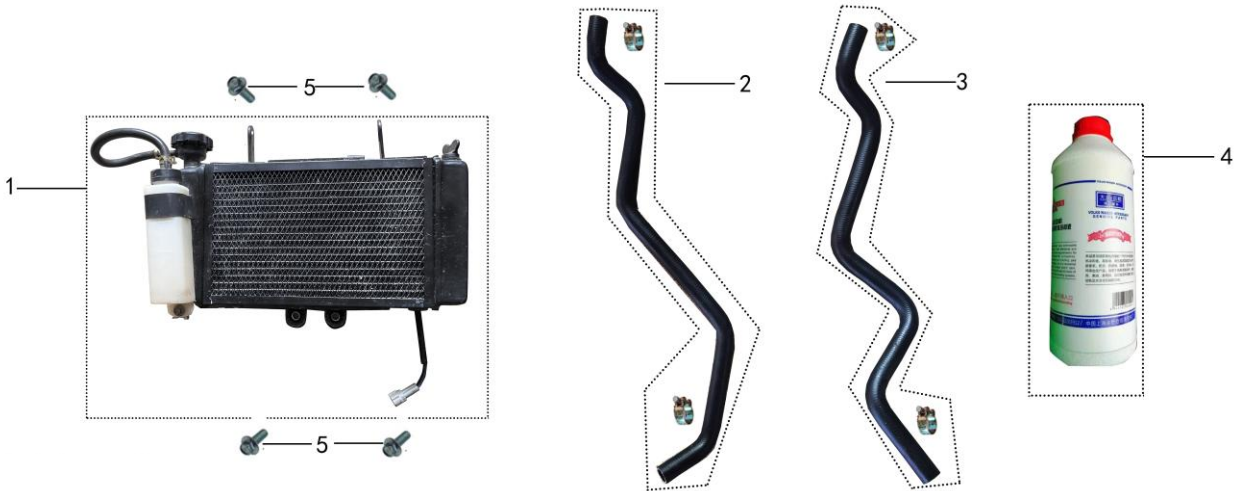
No.	Code	Name	Qty.
1	101040-0275	SNAP RING	1
2	101040-0283	BEARING, GB/T 276_6000	1
3	101040-0284	BEARING, GB/T 276_6901	1
4	101040-0198	COOLING PUMP SHAFT	1
5	101040-0299	OIL SEAL	1
6	101040-0199	HYDROSEAL STATIONARY ELEMENT COMP. COOLING PUMP	1
7	101040-0270	WASHER,PLAIN	1
8	101040-0200	HYDROSEAL MOVING RING,COOLING PUMP	1
9	101040-0201	COOLING PUMP IMPELLER	1
10	101040-0203	COOLING PUMP COVER GASKET	1
11	101040-0202	COOLING PUMP COVER	1
12	101040-0281	LOCATIN PIN	2
13	101040-0248	HEXAGON BOLT WITH FLANGE	2
14	101040-0267	FLAT WASHER	1
15	101040-0241	HEXAGON BOLT WITH FLANGE	1
16	101040-0245	HEXAGON BOLT WITH FLANGE	2
17	101040-0314	CLAMP COMBINATION	2
18	101040-0300	WATER PIPE	1
19	101040-0197	THERMOSTAT UNIT	1

Rear Axle Assembly



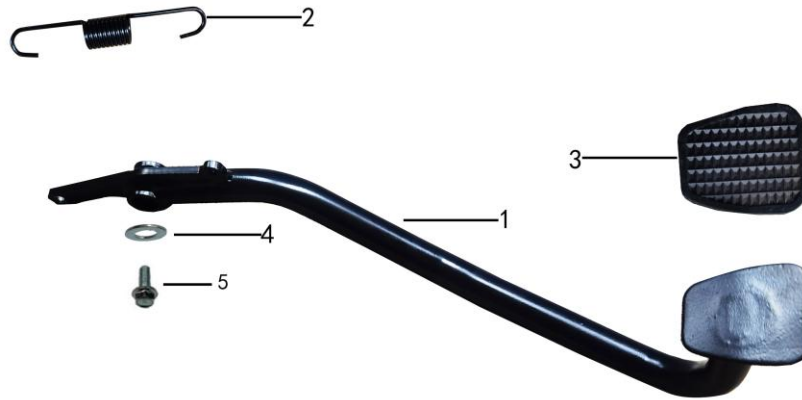
No.	Code	Model	Name	Qty.
1	564000-0020	AU300	REAR AXLE ASSEMBLY	1
1	564000-0031-02	AU300	REAR AXLE ASSEMBLY	1
2	568000-0061	AU200	TRAILER BALL MOUNTING PLATE	1
2	568000-0158		TRAILER BALL MOUNTING PLATE	1
3	603003-0008	AU200	TRAILER BALL ASSEMBLY	1
3	603003-0018		TRAILER BALL ASSEMBLY	1
4	903013-0037		HEXAGON SOCKET CHEESE HEAD SCREWS GB70-85 M10*35*1.5	4
4	903013-0037-02		HEXAGON SOCKET CHEESE HEAD SCREWS GB70-85 M10*35*1.5	4
5	903020-0037	AU300	REAR AXLE MOUNTING BOLTS M24*1.5	2
5	903020-0037-02		REAR AXLE MOUNTING BOLTS M24*1.5	2
6	206000-0001	AU300	UNIVERSAL JOINTS	1
6	206000-0005		UNIVERSAL JOINTS	1

Water Tank Assembly



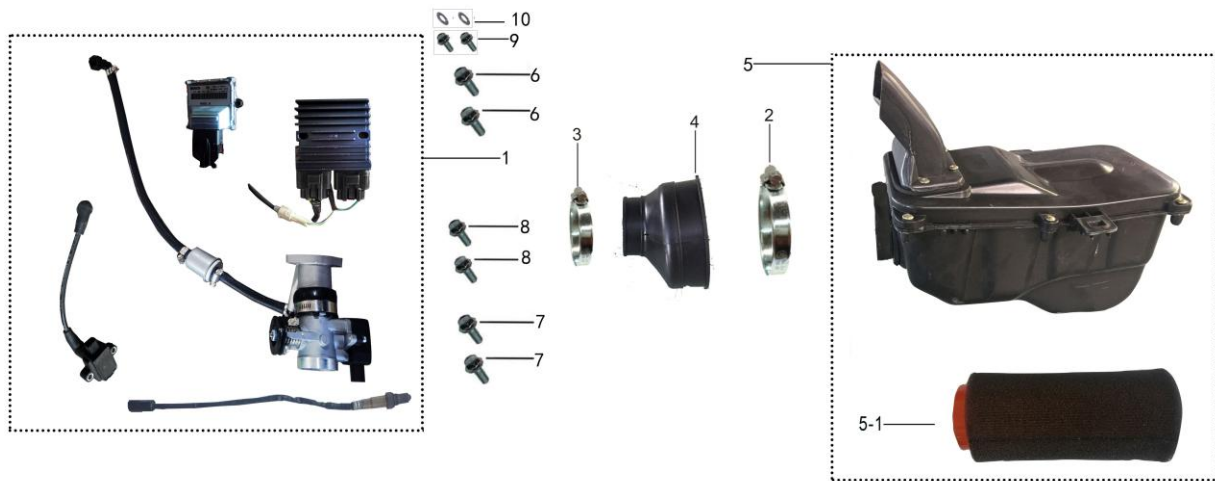
No.	Code	Model	Name	Qty.
1	104001-0018	AU300	WATER TANK	
1	104001-0018-02		WATER TANK	
1	104001-0018-03		WATER TANK	
1	104001-0018-04		WATER TANK	
2	104002-0023	AU300	WATER TANK INLET PIPE	
2	104002-0028		WATER TANK INLET PIPE	
3	104002-0024	AU300	WATER TANK OUTLET PIPE	
3	104002-0029		WATER TANK OUTLET PIPE	
4	104001-0006	K6	WATER TANK ANTIFREEZE	
5	903019-0006		HEXAGON SOCKET LARGE HEAD FLANGE BOLTS GB5789 M6*25	
5	903019-0006-02	ATV	HEXAGON SOCKET LARGE HEAD FLANGE BOLTS GB5789 M6*25	

Brake Pedal Assembly



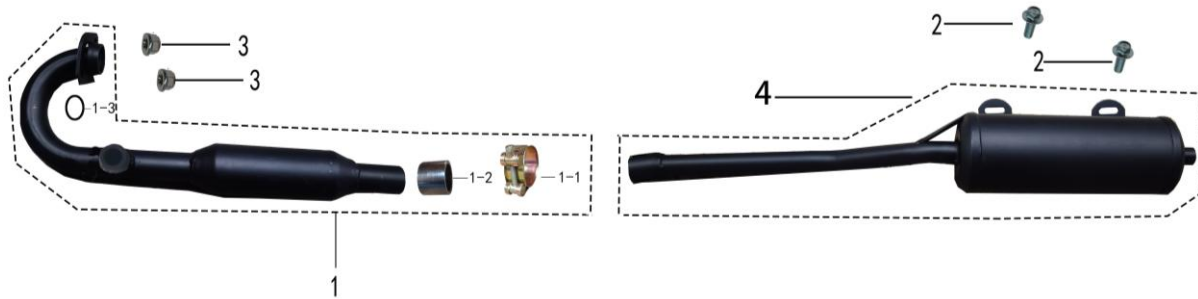
No.	Code	Model	Name	Qty.
1	406001-0044-01	AU300	BRAKE PEDAL / METALWORK	1
2	407003-0012	AU300	REAR BRAKE TENSION SPRING	1
3	908007-0026	AU200	BRAKE PEDAL COVER	1
4	903002-0005-02		FLAT PAD GB97.1-85 $\Phi 8*28*1.5$	1
4	903002-0005-03	ATV	FLAT PAD GB97.1-85 $\Phi 8*28*1.5$	1
5	903019-0013-02	ATV	HEXAGON SOCKET BIG HEAD FLANGE BOLTS GB5789 M8*20	1
5	903019-0013-06	ATV	HEXAGON SOCKET BIG HEAD FLANGE BOLTS GB5789 M8*20	1

EFI & Air Filter Assembly



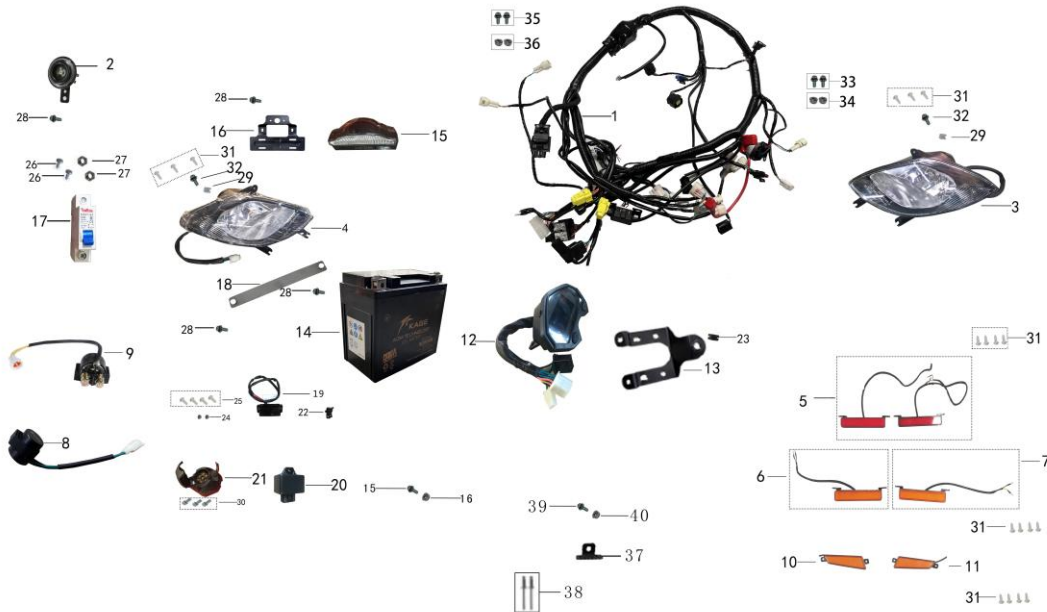
No.	Code	Model	Name	Qty.
1	107000-0007	AU300	EFI COMBINATION	1
2	906001-0004	T4	CLAMPS	1
3	906001-0002		CLAMPS	1
4	105003-0023	AU300	AIR FILTER RUBBER JOINT	1
5	105000-0023	AU200	AIR FILTER ASSEMBLY	1
5-1	105002-0014	AU200	AIR FILTER ELEMENT	1
6	903019-0006		HEXAGON SOCKET BIG HEAD FLANGE BOLTS GB5789 M6*25	2
6	903019-0006-02	ATV	HEXAGON SOCKET BIG HEAD FLANGE BOLTS GB5789 M6*25	2
7	903019-0008-02	ATV	HEXAGON SOCKET BIG HEAD FLANGE BOLTS GB5789 M6*30	2
7	903019-0008-06	ATV	HEXAGON SOCKET BIG HEAD FLANGE BOLTS GB5789 M6*30	2
8	903018-0004		HEXAGON SOCKET SMALL HEAD FLANGE BOLTS GB5787 M6*16	2
8	903018-0004-06	ATV	HEXAGON SOCKET SMALL HEAD FLANGE BOLTS GB5787 M6*16	2
9	903018-0001	ATV	HEXAGON SOCKET SMALL HEAD FLANGE BOLTS GB5787 M5*12	2
9	903018-0001-02	ATV	HEXAGON SOCKET SMALL HEAD FLANGE BOLTS GB5787 M5*12	2
10	903002-0001		FLAT WASHERS GB97.1-85 Φ 6*12*1.5	2
10	903002-0001-06	ATV	FLAT WASHERS GB97.1-85 Φ 6*12*1.5	2

Silencer Assembly



No.	Code	Model	Name	Qty.
1	106000-0002	AU300	SILENCERS	1
1	106001-0137		MUFFLER	1
1-1	106004-0009		MUFFLER CLAMPS	1
1-2	106006-0003		GRAPHITE SLEEVE	1
1-3	106003-0008		MUFFLER SEALING RING	1
2	903019-0012-02	ATV	HEXAGON SOCKET LARGE HEAD FLANGE BOLTS GB5789 M8*16	2
2	903019-0012-06	ATV	HEXAGON SOCKET LARGE HEAD FLANGE BOLTS GB5789 M8*16	2
3	903007-0004		HEXAGONAL FLANGE SELF-LOCKING NUTS GB6187- 86 M8	2
3	903007-0005	ATV	HEXAGONAL FLANGE SELF-LOCKING NUTS MT M8	2
4	106002-0058		MUFFLER	1

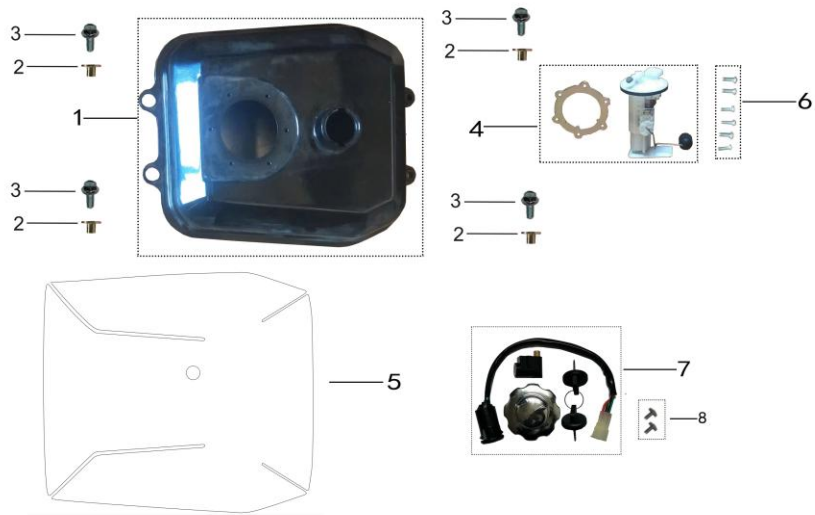
Electronic Assembly



No.	Code	Model	Name	Qty.
1	309001-0144	AU300	MAIN CABLE	1
1	309001-0215		MAIN CABLE	1
1	309001-0215-02		MAIN CABLE	1
1	309001-0215-03		MAIN CABLE	1
1	309001-0215-04		MAIN CABLE	1
2	310001-0001	KMB	HORN	1
3	308001-0016	AU200	LEFT HEADLIGHT	1
4	308001-0017	AU200	RIGHT FRONT HEADLIGHT	1
5	308003-0015	AU300	REAR BRAKE LIGHT	2
6	308003-0014	AU300	REAR LEFT TURN SIGNAL LAMP	1
7	308003-0014-02	AU300	REAR RIGHT TURN SIGNAL LAMP	1
8	305001-0004	AU300	FLASHER	1
9	301001-0001	T2	RELAY	1
10	308003-0013	AU300	FRONT LEFT TURN SIGNAL LAMP	1
11	308003-0013-02	AU300	FRONT RIGHT TURN SIGNAL	1
12	311001-0023	AU300	GAUGE	1
13	315011-0004	AU200	GAUGE COVER BRACKET	1
14	312001-0049	AU300	BATTERY	1
15	308004-0006	AU200	LICENCE PLATE LIGHT	1
16	568000-0060	AU200	LICENCE PLATE MOUNTING BRACKET	1
17	313004-0002	AY10D	AIR PROTECTION SWITCH	1
18	315012-0026	AU300	BATTERY MOUNTING BRACKET	1
19	317001-0002	AU200	ACTIVE INFRARED SENSOR	1

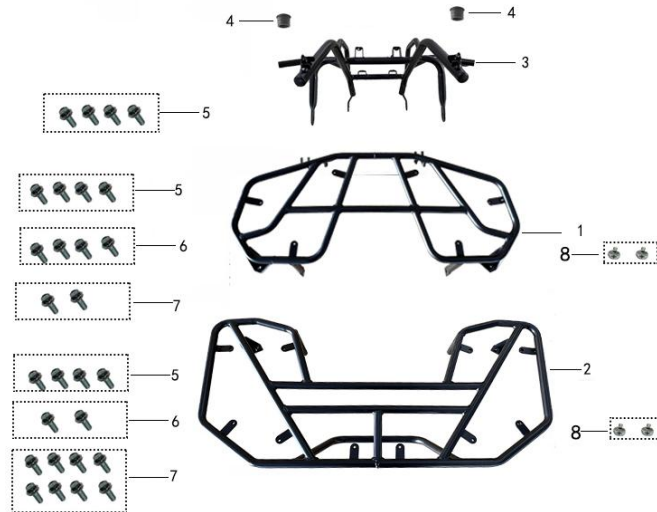
20	317001-0001	AU200	OFF-ROAD ALARM CONTROLLER	1
21	317002-0001	AU200	EXTERNAL POWER SOCKET	1
22	405010-0001	TD	REAR DISC BRAKE HOSE CLAMP	1
23	103003-0002	TD	OIL COOLER RUBBER SLEEVE	1
24	903006-0001		HEXAGONAL FLANGE NUT WITH TEETH GB6177-86 M5	2
24	903006-0001-03	ATV	HEXAGONAL FLANGE NUT WITH TEETH GB6177-86 M5	2
25	903009-0006		PHILLIPS PAN HEAD MACHINE THREAD SCREWS GB823-88 M5*16	4
25	903009-0006-03	ATV	PHILLIPS PAN HEAD MACHINE THREAD SCREWS GB823-88 M5*16	4
26	903009-0002	ATV	PHILLIPS PAN HEAD MACHINE THREAD SCREWS GB823-88 M3*25	2
27	903008-0001	ATV	HEXAGON NUTS GB6183-86 M3	2
28	903019-0003		HEXAGON LARGE HEAD FLANGE BOLTS GB5789 M6*16	3
28	903019-0003-02	ATV	HEXAGON SOCKET HEAD CAP FLANGE BOLTS GB5789 M6*16	3
29	903008-0019	ATV	CLIP NUTS M6 11*17.2*1.0	2
29	903008-0019-02	ATV	CLIP NUTS M6 11*17.2*1.0	2
30	903013-0040	ATV	HEXAGON SOCKET CHEESE HEAD SCREWS GB70-85 M5*30	3
30	903013-0040-02	ATV	HEXAGON SOCKET CHEESE HEAD SCREWS GB70-85 M5*30	3
31	903010-0007		PHILLIPS FLAT HEAD TAPPING SCREWS GB845-85 ST4.8*16	18
31	903010-0007-06		PHILLIPS FLAT HEAD TAPPING SCREWS GB845-85 ST4.8*16	18
32	903018-0004	ATV	HEXAGON SOCKET HEAD SMALL HEAD FLANGE BOLTS GB5787 M6*16	2
32	903018-0004-06		HEXAGON SOCKET HEAD SMALL HEAD FLANGE BOLTS GB5787 M6*16	2
33	903018-0002-02	ATV	HEXAGON SOCKET HEAD SMALL HEAD FLANGE BOLTS M5*16	2
33	903018-0002-06		HEXAGON SOCKET HEAD SMALL HEAD FLANGE BOLTS GB5787 M5*16	2
34	903007-0001-03		HEX FLANGE SELF-LOCKING NUT M5	2
35	903018-0005-03	ATV	HEXAGON SOCKET HEAD SMALL HEAD FLANGE BOLTS M6*20	2
35	903018-0005-06		HEXAGON SOCKET HEAD SMALL HEAD FLANGE BOLTS GB5787 M6*20	2
36	903007-0002-03		HEX FLANGE SELF-LOCKING NUT M6	2
37	315001-0006		RELAY BRACKET	1
38	905001-0003		BLIND RIVET	2
39	903018-0003-06	ATV	FLANGE BOLT M6*12	1
40	903006-0002-06	ATV	HEXAGONAL FLANGE NUT WITH TEETH GB6177-86 M6	1

Fuel Tank Assembly



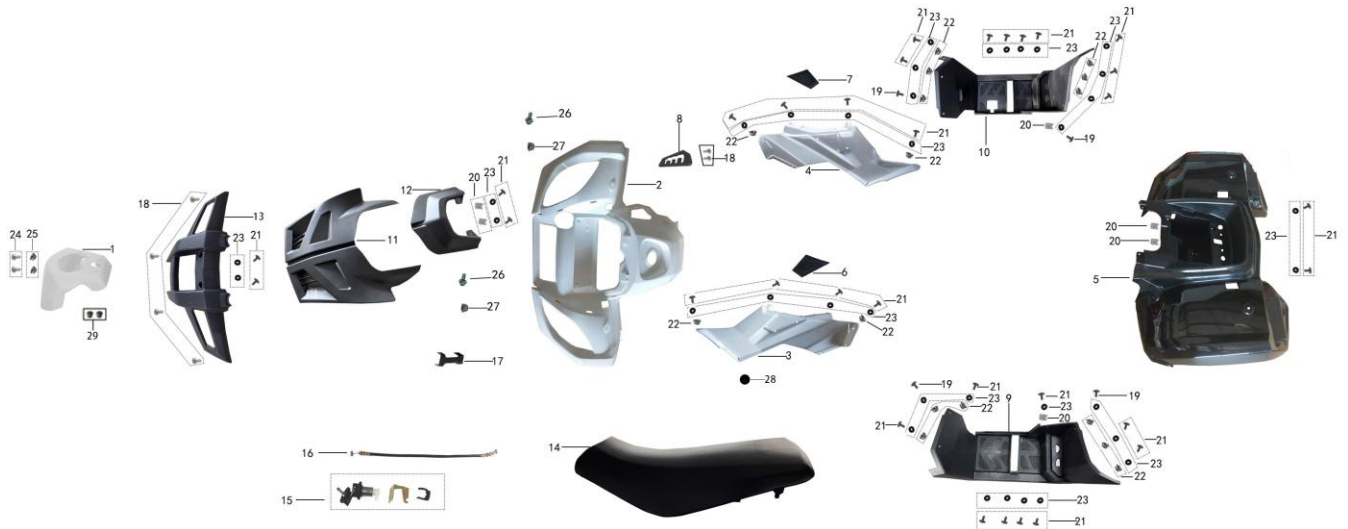
No.	Code	Model	Name	Qty.
1	805002-0024	AU300	OIL TANK ASSEMBLY	1
2	103003-0001	TD	OIL COOLER BUSHING	4
3	903019-0006		HEXAGON SOCKET BIG HEAD FLANGE BOLTS GB5789 M6*25	4
3	903019-0006-02	ATV	HEXAGON SOCKET BIG HEAD FLANGE BOLTS GB5789 M6*25	4
4	107001-0053	AU300	FUEL PUMP	1
5	909010-0029	AU300	DIAPHRAGM	1
6	903009-0006		PHILLIPS PAN HEAD MACHINE TOOTH SCREWS GB823-88 M5*16	6
6	903009-0006-03	ATV	PHILLIPS PAN HEAD MACHINE TOOTH SCREWS GB823-88 M5*16	6
7	314001-0009	AU200	SLEEVE LOCK ASSEMBLY	1
7	314001-0021		SLEEVE LOCK ASSEMBLY	1
8	903009-0005	K6	PHILLIPS PAN HEAD MACHINE TOOTH SCREWS GB823-88 M5*12	2
8	903009-0005-03	ATV	PHILLIPS PAN HEAD MACHINE TOOTH SCREWS GB823-88 M5*12	2

Shelf Assembly



No.	Code	Model	Name	Qty.
1	702000-0015-01	AU300	FRONT RACK ASSEMBLY	1
1	702000-0015-02		FRONT RACK ASSEMBLY	1
1	702000-0018		FRONT RACK ASSEMBLY	1
2	703000-0037-01	AU300	REAR RACK ASSEMBLY	1
2	703000-0037-02		REAR RACK ASSEMBLY	1
2	703000-0050-02		REAR RACK ASSEMBLY	1
3	704000-0021-01	AU300	FRONT GUARD ASSEMBLY	1
4	908007-0015		RUBBER COLUMN PLUG	2
5	903019-0013-02	ATV	HEXAGON SOCKET BIG HEAD FLANGE BOLTS GB5789 M8*20	12
5	903019-0013-06	ATV	HEXAGON SOCKET BIG HEAD FLANGE BOLTS GB5789 M8*20	12
6	903018-0005-02		HEXAGON SOCKET SMALL HEAD FLANGE BOLTS GB5787 M6*20	6
6	903018-0005-06	ATV	HEXAGON SOCKET SMALL HEAD FLANGE BOLTS GB5787 M6*20	6
7	903018-0004-02		HEXAGON SOCKET SMALL HEAD FLANGE BOLTS GB5787 M6*16	10
7	903018-0004-06	ATV	HEXAGON SOCKET SMALL HEAD FLANGE BOLTS GB5787 M6*16	10
8	903012-0007-02	ATV	PHILLIPS LARGE FLAT HEAD MACHINE TOOTH SCREWS TM6*16	4
8	903012-0007-03	ATV	PHILLIPS LARGE FLAT HEAD MACHINE TOOTH SCREWS TM6*16	4

Plastic Parts Assembly



No.	Code	Model	Name	Qty.
1	803006-0006-02	AU200	COWL	1
2	803011-0001	AU300	FRONT BODY	1
3	803011-0002	AU300	LEFT SIDE PANEL	1
3	803011-0013		LEFT SIDE PANEL	1
4	803011-0003	AU300	RIGHT SIDE PANEL	1
5	803011-0004	AU300	REAR BODY	1
6	803011-0006	AU300	LEFT TRIM COVER	1
7	803011-0007	AU300	RIGHT TRIM COVER	1
8	803011-0008	AU300	GEARSHIFT COVER	1
8	803011-0008-02		GEARSHIFT COVER	1
9	803011-0009	AU300	LEFT FOOTPEG/BLACK	1
9	803011-0009-02		LEFT FOOTPEG/BLACK	1
10	803011-0010	AU300	RIGHT FOOTREST	1
11	803011-0005	AU300	ELECTRICAL COMPARTMENT LOWER COVER	1
12	803011-0012	AU300	ELECTRICAL COMPARTMENT UPPER COVER	1
13	803011-0011	AU300	PLASTIC BUMPER	1
14	701000-0051	AU300	SEAT CUSHION ASSEMBLY	1
15	314002-0001	AU300	SEAT CUSHION LOCK	1
16	602016-0019	AU300	SEAT CUSHION LOCK CABLE	1
17	315012-0026	AU300	BATTERY HOLDER	1
18	903010-0007		PHILLIPS FLAT HEAD TAPPING SCREWS GB845-85 ST4.8*16	6

18	903010-0007-06		PHILLIPS FLAT HEAD TAPPING SCREWS GB845-85 ST4.8*16	6
19	903012-0008-02	ATV	PHILLIPS LARGE FLAT HEAD MACHINE TOOTH SCREWS TM6*20	4
19	903020-0056	ATV	HEXAGON SOCKET SET SCREWS WITH LARGE FLAT HEAD M6*20	4
20	903008-0019	ATV	CLIP NUTS M6 11*17.2*1.0	6
20	903008-0019-02	ATV	CLIP NUTS M6 11*17.2*1.0	6
21	903012-0007-02	ATV	PHILLIPS LARGE FLAT HEAD MACHINE SCREWS TM6*16	32
21	903020-0055	ATV	HEXAGON SOCKET HEAD BOLTS WITH LARGE FLAT HEAD M6*16	32
22	903006-0002-02	ATV	HEXAGONAL FLANGE NUTS WITH TEETH GB6177-86 M6	16
22	903006-0002-06	ATV	HEXAGONAL FLANGE NUTS WITH TEETH GB6177-86 M6	16
23	908003-0002		RUBBER FLAT WASHERS Φ 5.5*14.5*2	36
24	903009-0006		PHILLIPS PAN HEAD MACHINE THREAD SCREWS GB823- 88 M5*16	2
24	903009-0006-03	ATV	PHILLIPS PAN HEAD MACHINE THREAD SCREWS GB823- 88 M5*16	2
25	903006-0001	ATV	HEXAGONAL FLANGE NUTS WITH TEETH GB6177-86 M5	2
25	903006-0001-03	ATV	HEXAGONAL FLANGE NUTS WITH TEETH GB6177-86 M5	2
26	903019-0013-02		HEXAGON LARGE HEAD FLANGE BOLTS GB5789 M8*20	2
26	903019-0013-06		HEXAGON LARGE HEAD FLANGE BOLTS GB5789 M8*20	2
26	903007-0004		HEXAGONAL FLANGE SELF-LOCKING NUTS GB6187-86 M8	2
27	903007-0005	ATV	HEXAGON FLANGE SELF-LOCKING NUTS MT M8	2
27	803011-0014		SMALL COVER FOR LEFT SIDE PLATE	1
28	908004-0003		RUBBER PLUG	2

Front And Rear Plastic Covers



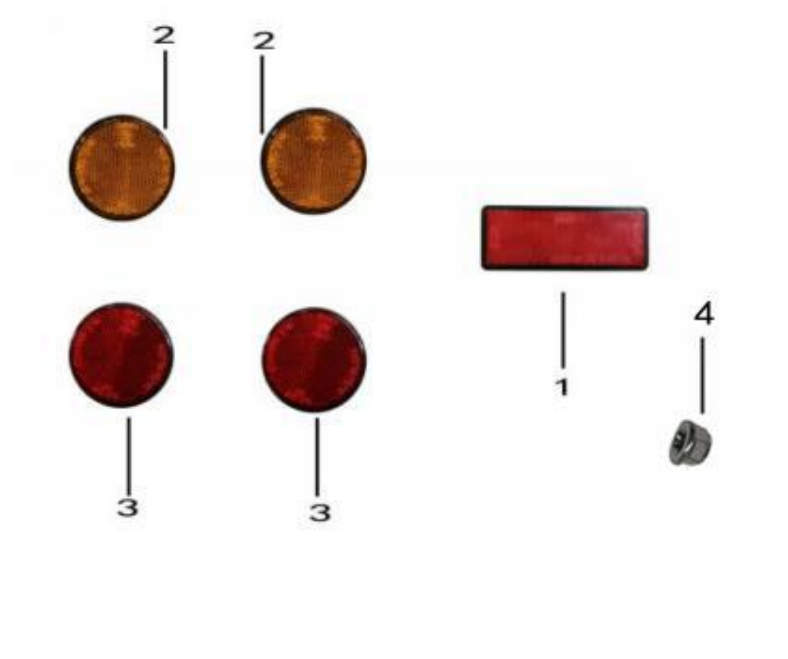
No.	Code	Model	Name	Qty.
1	803006-0015	AU200	PLASTIC FRONT COVER	1
2	803006-0016	AU200	PLASTIC REAR COVER	1
2	803006-0016-02		PLASTIC REAR COVER PLATE	1
3	903018-0004-02		HEXAGON SOCKET HEAD SMALL FLANGE BOLTS GB5787 M6*16	6
3	903018-0004-06	ATV	HEXAGON SOCKET HEAD SMALL FLANGE BOLTS GB5787 M6*16	6
4	903018-0003-02	ATV	HEXAGON SOCKET HEAD SMALL FLANGE BOLTS GB5787 M6*12	10
4	903018-0003-06	ATV	HEXAGON SOCKET HEAD SMALL FLANGE BOLTS GB5787 M6*12	10
	803006-0020		REAR COVER PLATE DECORATIVE SMALL COVER	1

Sticker



No.	Code	Model	Name	Qty.
1	804012-0001	AU300	AU300 DECAL 513 ADHESIVE	1
1	804012-0001-02		AU300 DECAL 3M468 ADHESIVE	1
	804019-0019	AU200	AU200 WARNING DECAL ENGLISH 513 ADHESIVE	1
	804019-0111		WARNING DECAL	1

Reflector



No	Code	Model	Name	Qty.
1	308006-0010	AU200	REAR LEFT AND RIGHT REFLECTORS	1
2	308006-0011	ATV	FRONT LEFT/RIGHT REFLECTOR	2
3	308006-0012	ATV	REAR LEFT AND RIGHT REFLECTORS	2
4	903006-0002-03	ATV	HEXAGONAL FLANGE WITH TOOTH NUT GB6177-86 M6	2