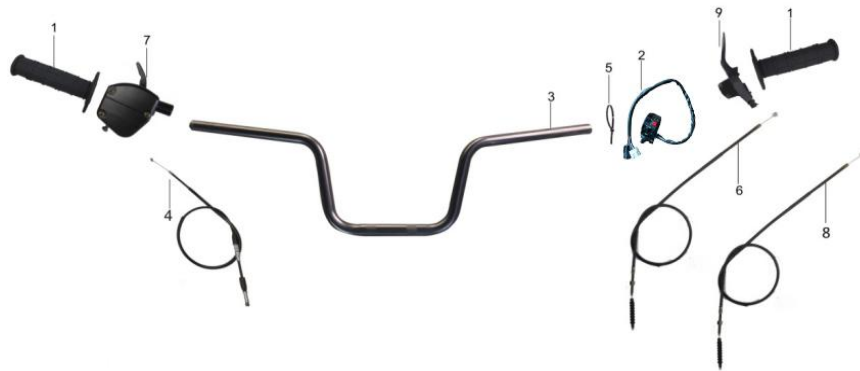


AU200 T3B Parts Catalog

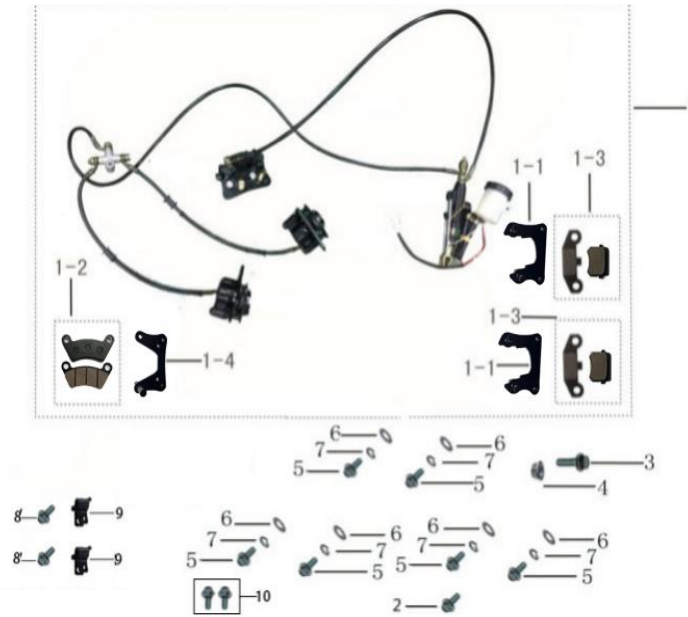


Handlebar Assy



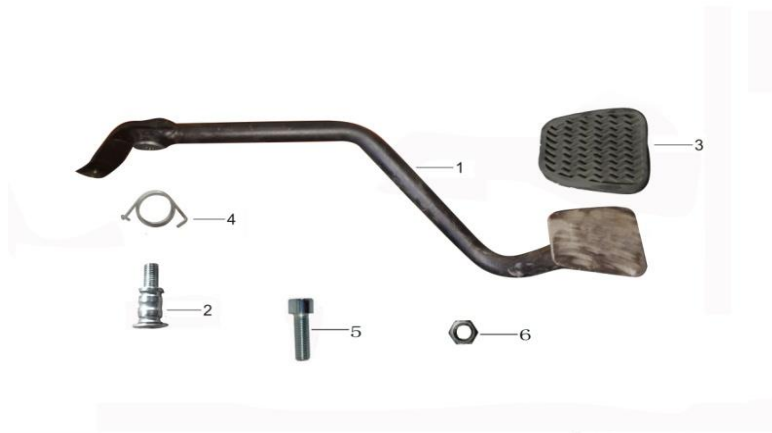
No.	Code	Model	Name	Qty.
1	602006-0015	AU150	BAR GRIP	2
1	602006-0026		BLACK BAR GRIP	2
2	313001-0011	AU150	COMBINATION SWITCH	1
3	602001-0018	AU180	STEEL HANDLE BAR	1
3	602001-0024		HANDLEBAR	1
3	602001-0024-02	AU200	HANDLEBAR	1
4	602014-0021	A250	THROTTLE CABLE	1
5	906003-0002		PLASTIC BELT	1
6	602015-0006	AU200	CHOCK CABLE	1
7	602011-0010	AU200-T3	THROTTLE PERCH	1
8	602016-0008	AU200-T3	PARKING BRAKE CABLE	1
9	404002-0021	AU200	PARKING LEVER	1

Front Brake Assy



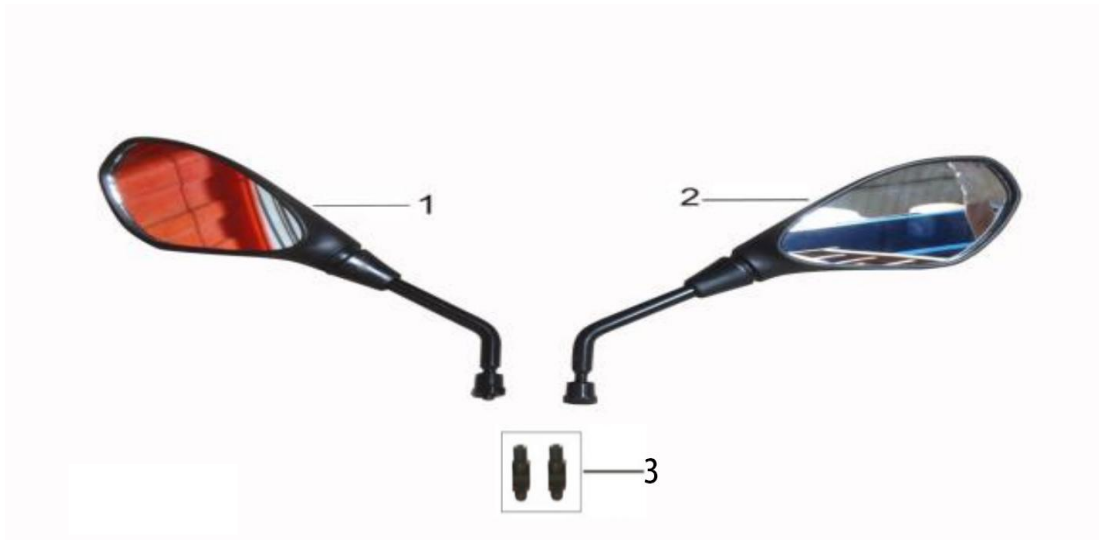
No.	Code	Model	Name	Qty.
1	404000-0103	AU200	BRAKE ASSY.	1
1	404000-0103-02		BRAKE ASSY.	1
1-1	404008-0012	A250	FRONT BRAKE BRACKET	2
1-2	405008-0006	AU200	REAR BRAKE PADS	1
1-3	404007-0013	A250	REAR BRAKE PADS	2
1-4	405009-0008	AU200	REAR BRAKE BRACKET	1
2	903018-0004-02		BOLT M6*16	1
2	903018-0004-06	ATV	BOLT M6*16	1
3	903018-0011		FLANGE BOLT M8*35	1
3	903018-0011-06	ATV	FLANGE BOLT M8*35	1
4	903007-0004-02	ATV	FLANGE LOCKNUT M8	1
4	903007-0005	ATV	FLANGE LOCKNUT M8	1
5	903019-0014-02	ATV	FLANGE BOLT M8*25	6
5	903019-0014-03	ATV	FLANGE BOLT M8*25	6
6	903002-0004-02	ATV	WASHER $\Phi 8*16*1.5$	6
6	903002-0004-06	ATV	WASHER $\Phi 8*16*1.5$	6
7	903001-0003	ATV	SPRING WASHER $\Phi 8*13*2$	6
7	903001-0003-02	ATV	SPRING WASHER $\Phi 8*13*2$	6
8	903018-0003-02	ATV	BOLT M6*12	2
8	903018-0003-06	ATV	BOLT M6*12	2
9	405010-0002	TD	REAR DISC BRAKE TUBE CLAMP	2
10	903018-0005-02		BOLT M6*20	2
10	903018-0005-06	ATV	BOLT M6*20	2

Brake Pedal Assy



No.	Code	Model	Name	Qty.
1	406001-0032-01	AU200-T3	BRAKE PEDAL	1
2	406003-0004	AU200-T3	BRAKE PEDAL SHAFT	1
3	908007-0026	AU200-T3	RUBBER BRAKE PEDAL COVER	1
4	407003-0010	AU200-T3	BRAKE TORSION SPRING	1
5	903013-0010		SCREW,M6*25	1
5	903013-0010-02		SCREW,M6*25	1
6	903005-0004		NUT,M6	1
6	903005-0004-03	ATV	NUT,M6	1

Rear View Mirror Assy



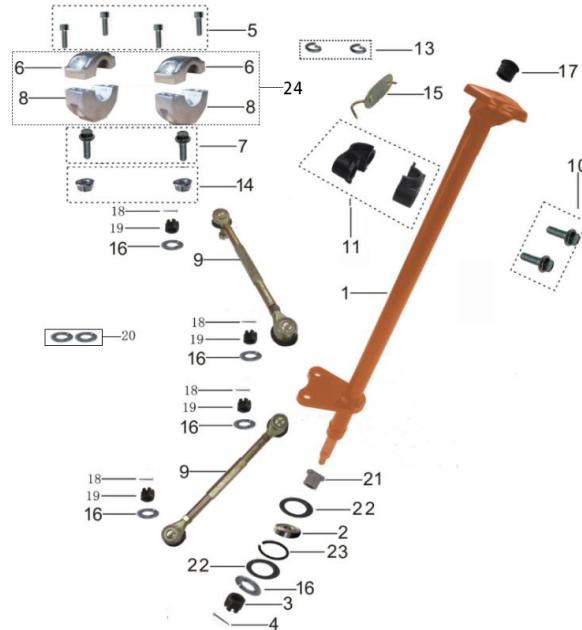
No.	Code	Model	Name	Qty.
1	602010-0002	T2	LEFT REVIEW MIRROR ASSY	1
2	602010-0003	T2	RIGHT REVIEW MIRROR ASSY	1
3	602010-0001	AU200	RIGHT REVIEW MIRROR SEAT	2

Front Shock Assy



No.	Code	Model	Name	Qty.
1	501000-0066	AU200	FRONT SHOCK	2
1	501000-0144		FRONT SHOCK	2
2	903018-0032		FLANGE BOLT M10*40*1.25	4
2	903018-0032-06		FLANGE BOLT M10*40*1.25	4
3	903007-0006		FLANGE LOCK NUT,M10*1.25	4
3	903007-0006-02		FLANGE LOCKNUT M10*1.25	4

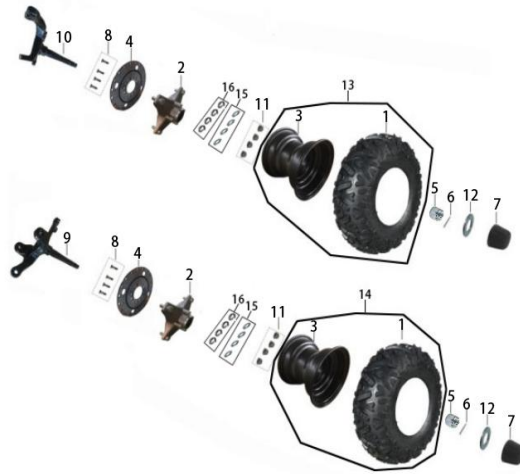
Steering Column Assy



No.	Code	Model	Name	Qty.
1	566000-0015-02	AU200	STEERING COLUMN	1
1	566000-0012-02	AU200	STEERING COLUMN	1
1	566000-0033		STEERING COLUMN	1
2	907001-0007	ATV	BEARING 6002-2RS/15*32*9	1
3	903008-0010	ATV	SLOTTED NUT,M12*1.25	1
3	903008-0010-03	ATV	SLOTTED NUT,M12*1.25	1
4	904002-0004-02	ATV	COTTER PIN 3*20	1
4	904002-0004-03	ATV	COTTER PIN 3*20	1
5	903013-0022-02		SCREW M8*35	4
5	903013-0022-06	ATV	SCREW M8*35	4
6	601003-0004	ATV	UPPER RAISER	2
6	601003-0023		UPPER RAISER	2
7	903017-0011	ATV	FLANGE BOLT M10*30*1.5	2
7	903017-0011-02	ATV	FLANGE BOLT M10*30*1.5	2
8	601004-0005	ATV	LOWER RAISER	2
8	601004-0028		LOWER RAISER	2
9	603001-0023	AU200	STEERING PULL ROD	2
10	903018-0016	ATV	BOLT M8*60	2
10	903018-0017		BOLT M8*65	2
10	903018-0017-06	A150	BOLT M8*65	2
11	902001-0015	A250	BUSH Φ 8.5*15*H43	2
12	601004-0017	A250	STEERING RAISER	2
12	603004-0004	A150	STEERING RAISER	2

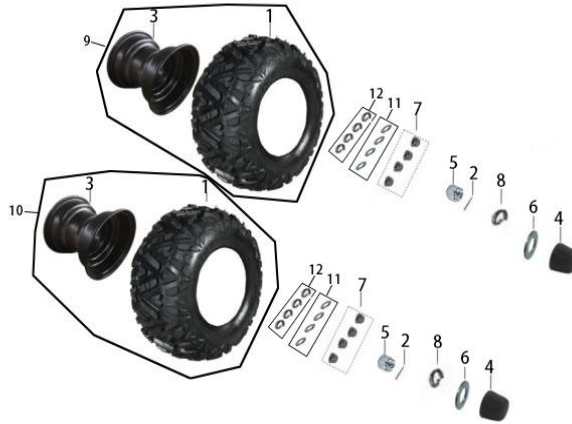
12	603004-0004-02		STEERING RAISER	2
13	903001-0005	ATV	SPRING WASHER $\Phi 10.5 \times 16 \times 3$	2
13	903001-0005-02	ATV	SPRING WASHER $\Phi 10.5 \times 16 \times 3$	2
14	903007-0007		FLANGE LOCK NUT M10*1.5	2
14	903007-0007-03		FLANGE LOCK NUT M10*1.5	2
15	601004-0018		STEERING COLUMN LOCK PIECE	1
15	568000-0159		CLIP	1
15	568000-0159-02		CLIP	1
16	903002-0010-02		FLAT WASHER $\Phi 12 \times 24 \times 2$	5
16	903002-0010-03	ATV	FLAT WASHER $\Phi 12 \times 24 \times 2$	5
17	908004-0004	T4	PLUG	1
18	904002-0002-02	ATV	COTTER PIN 2.5*24	4
18	904002-0002-03	ATV	COTTER PIN 2.5*24	4
19	603005-0009		NUT M10*1.25*H9	4
20	903002-0008-02	ATV	WASHER $\Phi 10 \times 20 \times 2$	2
20	903002-0008-06	ATV	WASHER $\Phi 10 \times 20 \times 2$	2
21	902002-0030	AU200	BUSH $\Phi 13.5 \times 15 \times 18 + 19 \times H9 + 3 + 3 + 5$	1
22	908001-0002	ATV	OIL SEAL $\Phi 18 \times 32 \times 7$	2
23	903004-0001	ATV	STEEL DETENT RING	1
24	C90004-0177	AT110	UPPER AND LOWER CLAMPING BLOCK ASSEMBLY	1

Front Wheel Assy



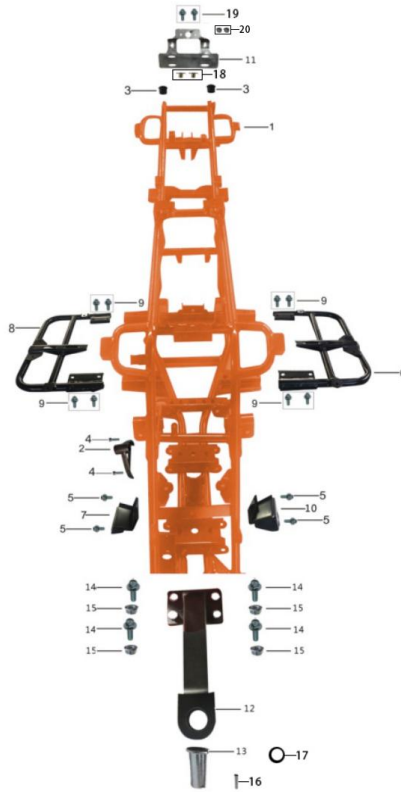
No.	Code	Model	Name	Qty.
1	401006-0031	AU200	FRONT TYRE	2
2	401003-0011	AU200	FRONT HUB	2
3	401000-0061	AU200	FRONT RIM	2
4	404001-0016	AU200	FRONT BRAKE DISC	2
5	903008-0011	ATV	SLOTTED NUT,M14*1.5*H18	2
5	903008-0011-02	ATV	SLOTTED NUT M14*1.5*H18	2
6	904002-0004-02	ATV	COTTER PIN 3*20	2
6	904002-0004-03	ATV	COTTER PIN 3*20	2
7	908007-0003		DUST CAP	2
8	405012-0001		HEXAGON SOCKET REAR PLATE BOLT	8
9	603002-0013	AU200	LEFT STEERING KNUCKLE	1
10	603002-0014	AU200	RIGHT STEERING KNUCKLE	1
11	903007-0006		FLANGE LOCK NUT,M10*1.25	8
11	903007-0006-02		FLANGE LOCKNUT M10*1.25	8
12	505002-0002	AU200	SPRING WASHER,Φ16.5*53*2	2
13	C90004-0039	AU200	FRONT RIGHT WHEEL ASSEMBLY	1
14	C90004-0038	AU200	FRONT LEFT WHEEL ASSEMBLY	1
15	903002-0008		FLAT WASHER Φ10*20*2	8
15	903002-0008-06	ATV	FLAT WASHER Φ10*20*2	8
16	903001-0005		SPRING WASHER Φ10.5*16*3	8
16	903001-0005-02	ATV	SPRING WASHER Φ10.5*16*3	8

Rear Wheel Assy



No.	Code	Model	Name	Qty.
1	402006-0035	AU200	REAR TIRE	2
2	904002-0006-02	ATV	COTTER PIN	2
2	904002-0006-03	ATV	COTTER PIN	2
3	402000-0068	AU200	REAR RIM	2
4	908007-0003	ATV	DUST CAP	2
5	903008-0028	AU150	SLOTTED NUT,M18*1.5	2
5	903008-0031		SLOTTED NUT M18*1.5*H23	2
5	903008-0031-02	ATV	SLOTTED NUT M18*1.5*H23	2
6	505002-0006	AU150	SPRING WASHER,Φ18.5*53*2	2
7	903007-0006		FLANGE LOCKNUT M10*1.25	8
7	903007-0006-02		FLANGE LOCKNUT M10*1.2	8
8	903001-0007	AU150	SPRING WASHER	2
9	C90004-0040	AU200	REAR LEFT WHEEL ASSEMBLY	1
10	C90004-0041	AU200	REAR RIGHT WHEEL ASSEMBLY	1
11	903002-0008		FLAT WASHER Φ10*20*2	8
11	903002-0008-06	ATV	FLAT WASHER Φ10*20*2	8
12	903001-0005		SPRING WASHER Φ10.5*16*3	8
12	903001-0005-02	ATV	SPRING WASHER Φ10.5*16*3	8

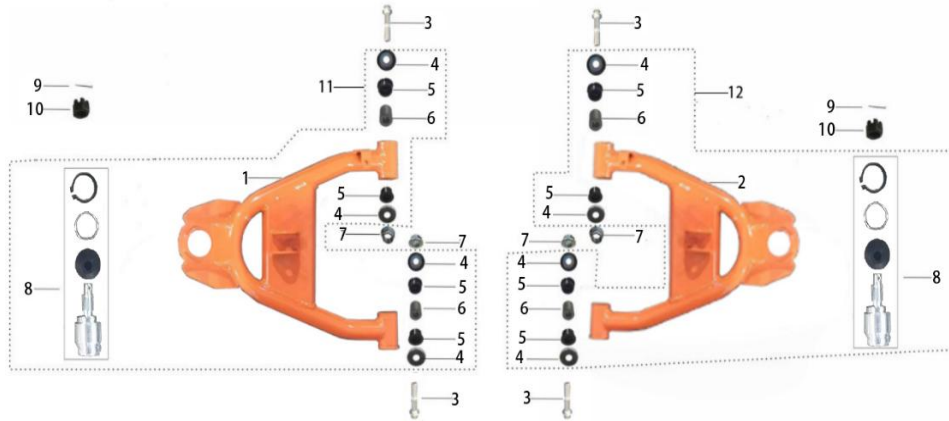
Frame Assy



No.	Code	Model	Name	Qty.
1	561000-0046-02	AU200	FRAME ASSY.	1
1	561000-0098-02		FRAME ASSY.	1
1	561000-0130-01	AU200	FRAME ASSY.	1
2	568000-0050-01	AU200	GEAR SHIFTER BRACKET	1
3	908007-0015		RUBBER COLUMN	2
4	903013-0017-02	ATV	SCREW,M8*16	2
4	903013-0017-06	ATV	SCREW,M8*16	2
5	903019-0011-02	ATV	BOLT,M8*12	4
5	903019-0011-03	ATV	FLANGE BOLT M8*12	4
6	568000-0048-01	AU200	LEFT FOOTPEG BRACKET	1
7	568000-0052	AU200	ENGINE FRONT RIGHT MOUNTING PLATE	1
8	568000-0049-01	AU200	RIGHT FOOTPEG BRACKET	1
9	903019-0012-02	ATV	BOLT,M8*16	8
9	903019-0012-06	ATV	BOLT,M8*16	8
10	568000-0054	AU200	ENGINE FRONT LEFT MOUNTING PLATE	1
11	568000-0060	AU200-T3	LICENCE PLATE MOUNTING BRACKET	1
12	568000-0059-01	AU200-T3	FRONT PULLING ASSY.	1
13	904004-0002	AU200	FRONT DRAG PIN	1
14	903018-0031		BOLT,M10*30*1.5	4
14	903018-0031-02		BOLT,M10*30*1.5	4

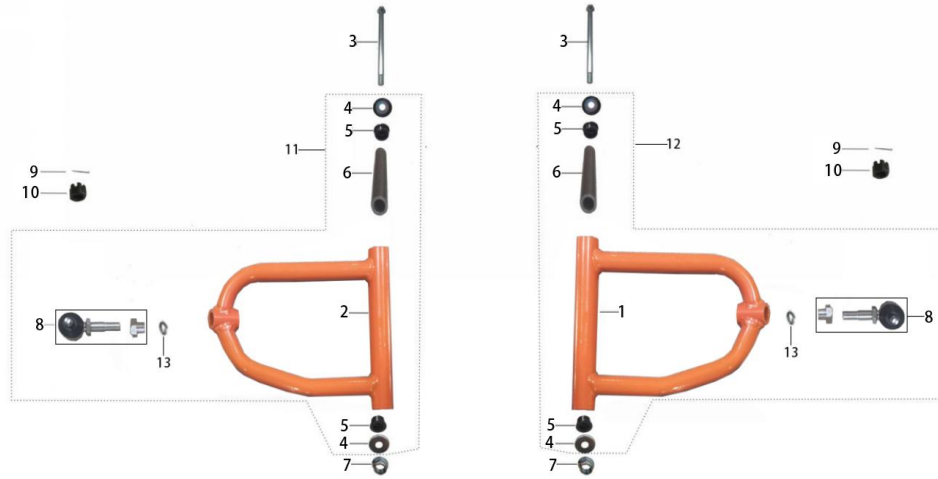
15	903007-0007		FLANGE LOCK NUT M10*1.5	4
15	903007-0007-03		FLANGE LOCK NUT M10*1.5	4
16	904001-0004	AU200	PIN	1
17	908005-0002	TD	O-RING	1
18	103003-0001	TD	OIL COOLER BUSH	2
19	903019-0006		FLANGE BOLT M6*25	2
19	903019-0006-02	ATV	FLANGE BOLT M6*25	2
20	903007-0002-02	ATV	NUT M6	2
20	903007-0002-03	ATV	NUT M6	2

Lower Rocker Assy



No.	Code	Model	Name	Qty.
1	565000-0054-02	AU200	RIGHT LOWER ROCKER ARM	1
2	565000-0053-02	AU200	LEFT LOWER ROCKER ARM	1
3	903018-0048	T1	FLANGE BOLT M10*75*1.25	4
3	903018-0048-06	ATV	FLANGE BOLT M10*75*1.25	4
4	908007-0006	ATV	SEAL COVER 'Φ10*35*H8+Φ27.5*6.5	8
4	908007-0006-02			8
5	902002-0038	A250	PLASTIC BUSH FOR ROCKER ARM	8
6	902001-0039	A250	FLAT BUSH FOR LOWER ROCKER ARM	4
7	903007-0006		FLANGE LOCKNUT M10*1.25	4
7	903007-0006-02		FLANGE LOCKNUT M10*1.25	4
8	603003-0010	AU200	LOWER BALL HEAD	2
9	904002-0002-02	ATV	COTTER PIN 2.5*24	2
9	904002-0002-03	ATV	COTTER PIN 2.5*24	2
10	903008-0009	ATV	SLOTTED NUT,M10*1.25	2
10	903008-0009-02	ATV	SLOTTED NUT M10*1.25	2
11	C90004-0023	AU200	ORANGE RIGHT BELOW ROCKER ARM ASSY	1
12	C90004-0022	AU200	ORANGE LEFT BELOW ROCKER ARM ASSY	1

Upper Rocker Assy



No.	Code	Model	Name	Qty.
1	565000-0052-02	AU200	RIGHT UPPER ROCKER ARM	1
2	565000-0051-02	AU200	LEFT UPPER ROCKER ARM	1
3	901001-0048	AU200	FLANGE SHAFT	2
4	908007-0006	ATV	SEAL COVER 'Φ10*35*H8+Φ27.5*6.5	4
4	908007-0006-02			4
5	902002-0038	A250	PLASTIC BUSH FOR ROCKER ARM	4
6	902001-0030	AU200	STEEL BUSH Φ10.2*16*L206.5	2
7	903007-0006		FLANGE LOCKNUT M10*1.25	2
7	903007-0006-02		FLANGE LOCKNUT M10*1.25	2
8	603003-0009	AU200	UPPER BALL HEAD	2
9	904002-0002-02	ATV	COTTER PIN 2.5*24	2
9	904002-0002-03	ATV	COTTER PIN 2.5*24	2
10	903008-0009	ATV	SLOTTED NUT,M10*1.25	2
10	903008-0009-02	ATV	SLOTTED NUT,M10*1.25	2
11	C90004-0021-02		RIGHT UPPER ROCKER ARM	1
12	C90004-0020-02		LEFT UPPER ROCKER ARM	1
13	903001-0008	AU200	WASHER Φ16.5*24*3.5	2
13	903001-0008-02	AU200	WASHER Φ16.5*24*3.5	2

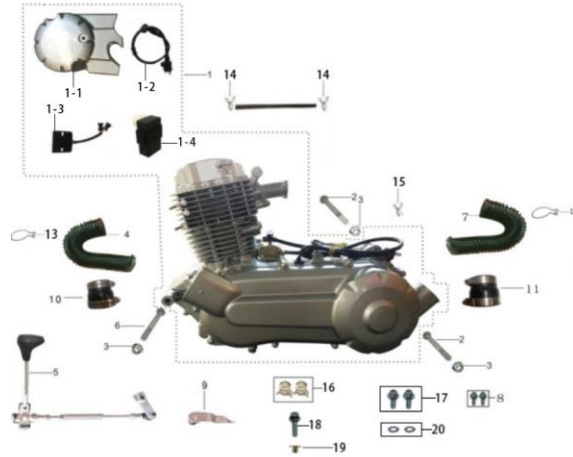
15	903018-0003-06	ATV	BOLT M6*12	4
16	903013-0045	ATV	SCREW M8*65	4
16	903013-0045-06	ATV	SCREW M8*65	4
17	568000-0035	A250	MOUNTING BLOCK	2
18	568000-0036	A250	MOUNTING BLOCK	2
19			REAR FORK	1
20	568000-0086	A250	CHAIN HOOD FRONT AND REAR MOUNTING PLATES	2
21	903002-0019	AU200	WASHER Φ 16.5*30*1.5	1
21	903002-0019-02	AU200	WASHER Φ 16.5*30*1.5	1
22	903001-0008	AU200	WASHER Φ 16.5*24*3.5	1
22	903001-0008-02	AU200	WASHER Φ 16.5*24*3.5	1

Rear Shock Assy



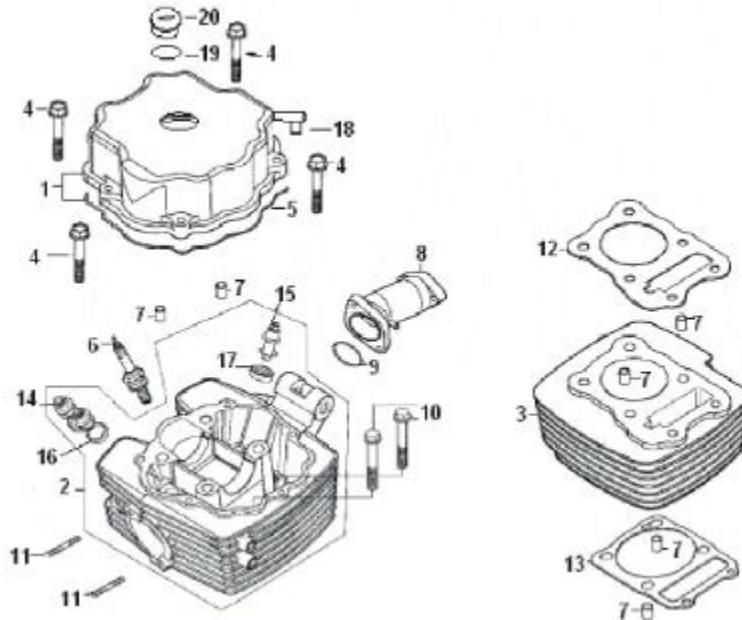
No.	Code	Model	Name	Qty.
1	502000-0051	AU200	REAR FORK ASSY.	1
1	502000-0101		REAR FORK ASSY.	1
2	903018-0032		FLANGE BOLT M10*40*1.25	2
2	903018-0032-06	ATV	FLANGE BOLT M10*40*1.25	2
3	903007-0006		FLANGE LOCKNUT M10*1.25	2
3	903007-0006-02		FLANGE LOCKNUT M10*1.25	2

Engine Assy



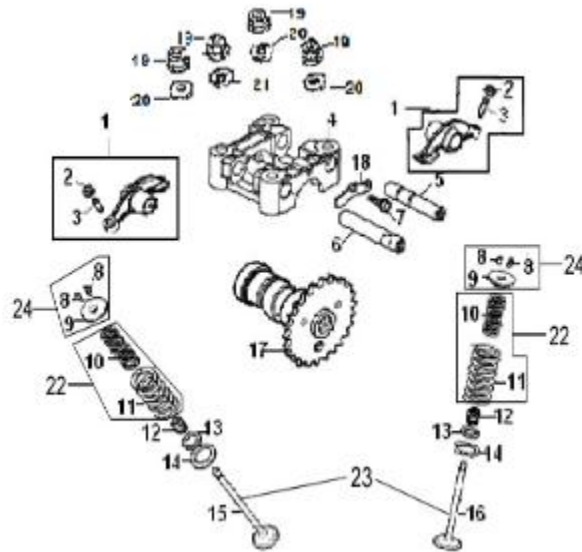
No.	Code	Model	Name	Qty.
1	101000-0364	ATV	AU200 T3B ENGINE ASSY.	1
1	101000-0541-04	AU200-T3	ENGINE ASSY.	1
1-1	101031-0134			1
1-2	306001-0014	AU200		1
1-3	302001-0010	AU200		1
1-4	303001-0015	AU200		1
2	901001-0003		FLANGE AXLE	2
3	903007-0006		FLANGE LOCKNUT M10*1.25	3
3	903007-0006-02		FLANGE LOCKNUT M10*1.25	3
4	908007-0047	AU200	FRONT INTAKE PIPE	
5	201002-0023	AU200	GEAR SHIFTER COMPOSITION	1
5	201002-0023-02		SHIFT LEVER	1
6	903018-0038	ATV	BOLT,M10*160*1.25	1
6	903018-0038-02	ATV	FLANGE BOLT M10*160*1.25	1
7	908007-0048	AU200	REAR VENT PIPE	1
8	903018-0004-02		BOLT M6*16	2
8	903018-0004-06	ATV	BOLT M6*16	2
9	568000-0053	AU200	GEAR SHIFT ARM	1
10	908007-0045	AU200	CONNECTOR	1
11	908007-0046	AU200	CONNECTOR	1
12	906002-0010	AU200	OIL PIPE CLIP	1
13	906002-0011	AU200	OIL PIPE CLIP	1
14	906002-0005		CLIP Φ9	2
15	906002-0007	ATV	CLIP Φ15	1
16	103003-0004		OIL COOLING PIPE CLAMP	2
17	903018-0005-02		BOLT M6*20	2
17	903018-0005-06	ATV	BOLT M6*20	2
18	903018-0008-02		FLANGE BOLT M6*40	1
18	903018-0008-06	ATV	FLANGE BOLT M6*40	1
19	902001-0003	TS	BUSHΦ8*12*H13	1
20	903002-0002-02	ATV	FLAT WASHERΦ6*18*1.5	2
20	903002-0002-06	ATV	FLAT WASHERΦ6*18*1.5	2

CYLINDER HEAD/CYLINDER BODY



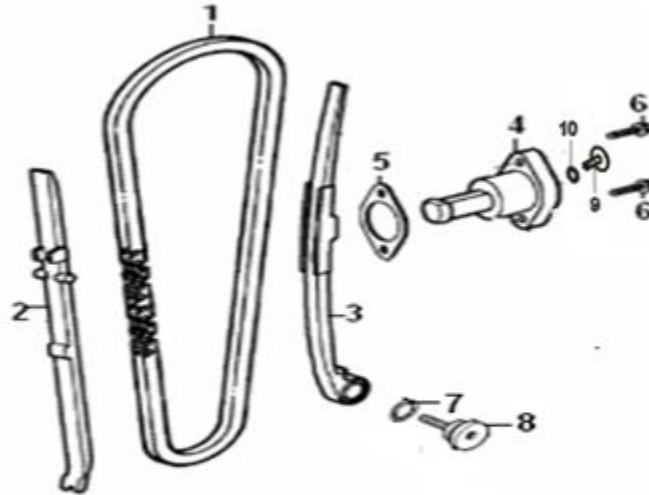
No.	Code	Name	Qty.
1	120230033-0002	CYLINDER HEAD COVER	1
2	120080223-0002	CYLINDER HEAD	1
3	120020142-0005	CYLINDER BODY COMP	1
4	380140017-0005	BOLT	4
5	380840322-0001	WASHER, CYLINDER COVER	1
6	270960001-0001	PLUG, SPARK	1
7	380600006-0001	PINDOWEL	6
8	180420795-0001	TUBE, AIR INTAKE	1
9	380840011-0001	SEAL	1
10	380140229-0001	BOLT	2
11	380180060-0002	BOLT, STUD	2
12	120150045-0001	GASKET ASSY, CYLINDERHEAD	1
13	120050094-0001	GASKET, CYLINDER	1
14	120130003-0001	GUIDE, EXHAUSTVALVE	1
15	120120003-0001	GUIDE, INLETVALVE	1
16	120110012-0001	RETIANER, EXHAUSTVALVE	1
17	120100012-0001	RETIANER, INLETVALVE	1
18	110270007-0001	PIPE, AERATE	1
19	380840026-0001	WASHER, SEALING	1
20	110440001-0008	CAP, GENERATOR	1

CAMSHAFT / VALVE



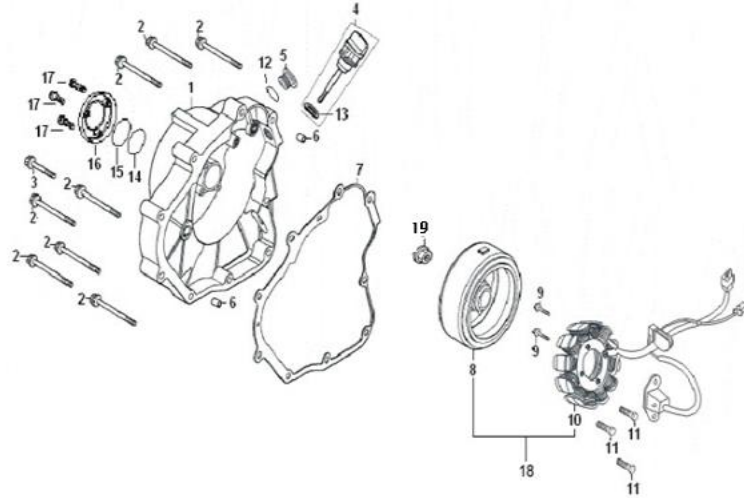
No.	Code	Name	Qty.
1	140450011-0001	ROCKER ARM, UPPER	2
2	140490001-0001	NUT, TAPPET ADJUSTING	2
3	140480001-0001	SCREW, TAPPET ADJUSTING	2
4	140540006-0001	HOLDER, CAMSHAFT	1
5	140510016-0001	SHAFT, VALVE ROCKER ARM, IN.	1
6	140510017-0001	SHAFT, VALVE ROCKER ARM, EX.	1
7	380140002-0006	BOLT	1
8	140390004-0001	COTTER, VALVE	4
9	140380004-0001	RETAINER, VALVE SPRING, UPPER	2
10	140340004-0001	SPRING, VALVE INNER	2
11	140350003-0001	SPRING, VALVE OUTER	2
12	140400001-0001	SEAL, VALVE STEM	2
13	140360001-0001	RETIANER, VALVE SPRING, INNER	2
14	140370001-0001	RETAINED, VALVE SPRING, OUTER	2
15	140310002-0001	VALVE, EX	1
16	140300002-0001	VALVE, IN	1
17	140020026-0002	CAMSHAFT COMP	1
18	140530005-0001	POSITION PLATE COMP.	1
19	380370074-0001	BOLT	4
20	380450357-0001	WASHER, DRAIN PLUG	3
21	380450307-0001	WASHER, DRAIN PLUG	1
22	140330003-0001	SPRING, VALVE	1
23	500550002-0001	VALVE SET, INLET AND EXHAUST	1
24	500730001-0001	CLIP & VALVE SPRING SEAT KIT	1

Chain Cam



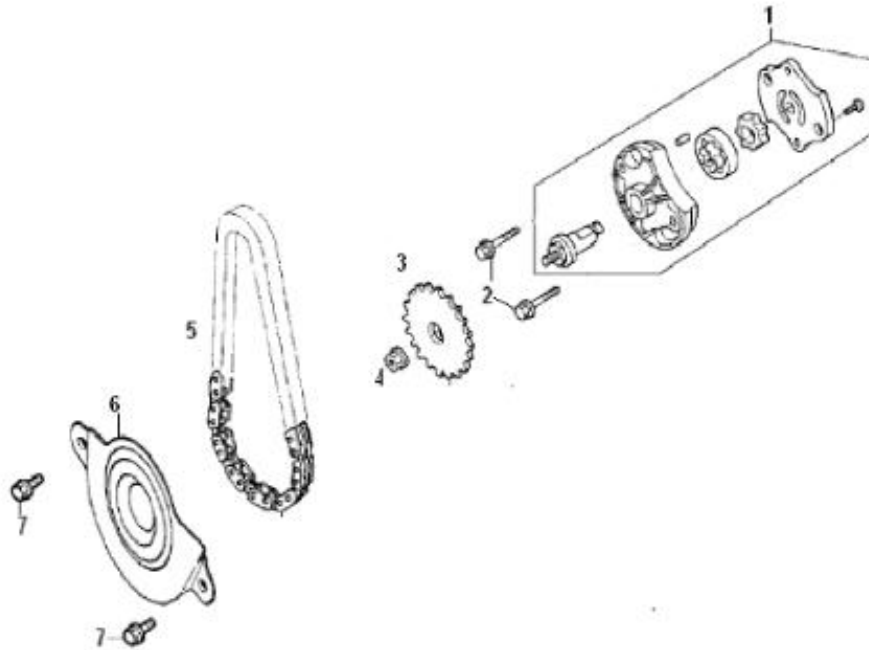
No.	Code	Name	Qty.
1	140610031-0001	CHAIN, TIMING	1
2	141000025-0001	GUIDE STARTER CHAIN	1
3	140910004-0001	ADJUSTING PLATE CHAIN	1
4	140750010-0001	TENSIONER ASSY	1
5	140830020-0001	GASKET TENSIONER	1
6	380140021-0006	BOLT	2
7	380841009-0001	WASHER, SEALING	1
8	141070004-0002	SCREW TENSION BAR	1
9	141370008-0001		1
10	380841008-0001		1

Generator Assy



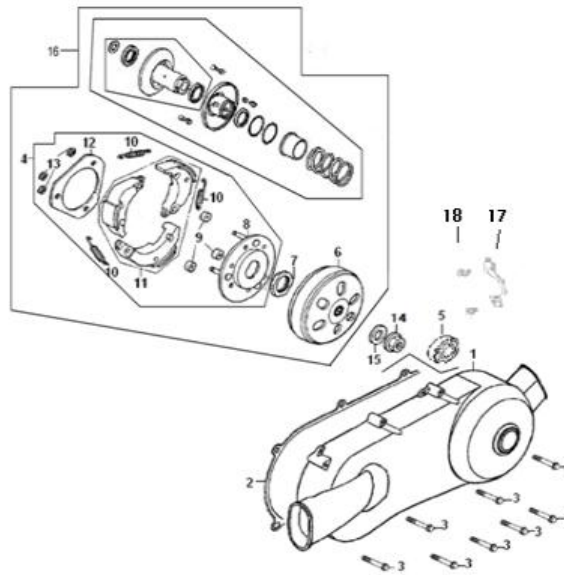
No.	Code	Name	Qty.
1	110600713-0002	COVER, RCRANKCASE	1
2	380140230-0001	BOLT	7
3	380140128-0002	BOLT	1
4	110700020-0001	GAUGE, OIL LEVEL	1
5	110440001-0008	CAP, GENERATOR	1
6	380600006-0001	PIN, DOWEL	2
7	110620060-0001	GASKET, RCRANKCASE COVER	1
8	270020054-0001	FLYWHEEL COMP	1
9	380140047-0004	BOLT	2
10	270100205-0001	STATOR COMP	1
11	380140046-0004	BOLT	3
12	380840026-0001	RING	2
13	380840006-0001	RING	1
14	380840319-0001	RING	1
15	380840320-0001	RING	1
16	110720054-0079	COVER, R. DECORATIVE	1
17	380140026-0006	BOLT	3
18	270010292-0001	GENERATOR ASSY.	1
19	380370025-0004	NUT, FLANGE	1
	380450239-0001		4
	380451007-0001		4
	380751011-0001		2
	380780188-0001		2

Oil Pump



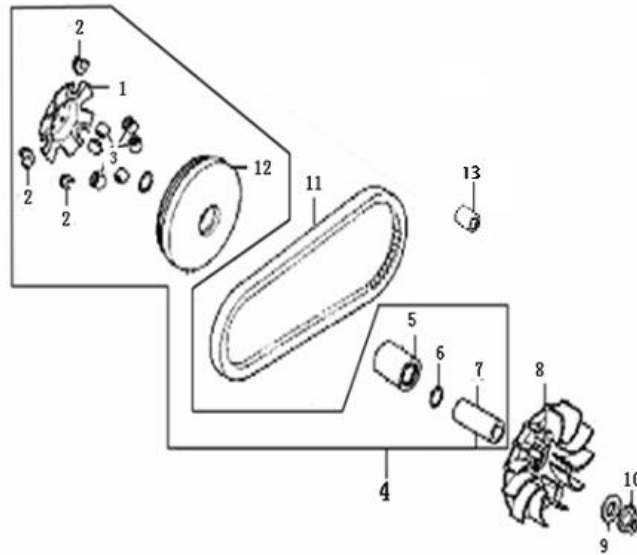
No.	Code	Name	Qty.
1	150010040-0001	OIL PUMP COMP	1
2	380140017-0005	BOLT	2
3	150070015-0001	SPROCKET, OIL PUMP DRIVEN	1
4	380370003-0001	NUT, HEX.	1
5	150170001-0001	CHAIN, OIL PUMP	1
6	150260002-0001	COVER, OIL FILTER	1
7	380140026-0006	BOLT	2

Clutch



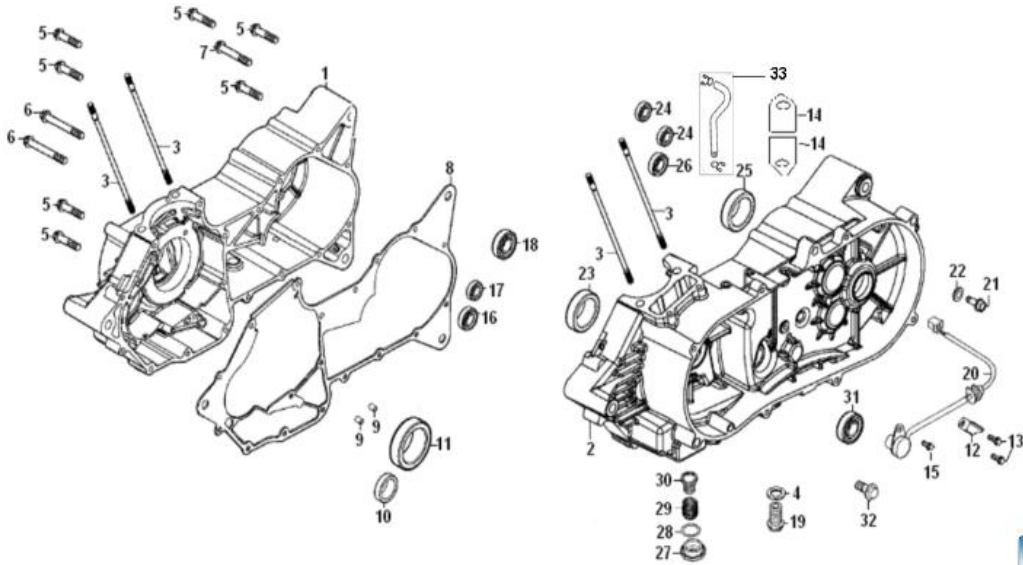
No.	Code	Name	Qty.
1	110380169-0002	COVER L.CRANKCASE	1
2	110390023-0001	GASKET COVER L.CRANKCASE	1
3	380140019-0006	BOLT	9
4	194310008-0001	WEIGHT, CLUTCH	1
5	380630083-0001	BEARING	1
6	194190008-0001	OUTER COVER, CLUTCH	1
7	380340090-0001	NUT	1
8	190200014-0001	WEIGHT, CLUTCH	1
9	190260003-0001	RUBBER, DAMPING, CLUTCH	3
10	381140256-0001	SPRING, CLUTCH	3
11	194320008-0001	WEIGHT, CLUTCH	3
12	194330001-0001	PLATE, CLUTCH LIFTER	1
13	380570014-0001	CLRCLIP	3
14	380400044-0001	NUT, FLANGE	1
15	380450364-0001	WASHER	1
16	192890026-0001	DRIVE CLUTCH AND OUTER COVERAND BELT PULLEY COMP., DRIVEN	1
17	191380004-0001		1
18	380220014-0001		2

Pulley Sub Assy



No.	Code	Name	Qty.
1	192860001-0001	SLIDE	1
2	192870001-0001	PIECE, SLIDE	3
3	192840015-0001	ROLLER, WETGHT	6
4	192810027-0001	BELT PULLEY ASSY., DRIVING	1
5	380821138-0001	BUSH	1
6	380560036-0001	CLIP, PISTON PIN	2
7	192880011-0001	BUSH, DRIVE DISK SHAFT	1
8	192820001-0001	DISK, DRIVING	1
9	380450364-0001	WASHER	1
10	380400044-0001	NUT, FLANGE	1
11	193000014-0001	BELT, DRIVE	1
12	194180001-0001	DRIVE DISK SHAFT	1
13	380823536-0001	BUSH	1

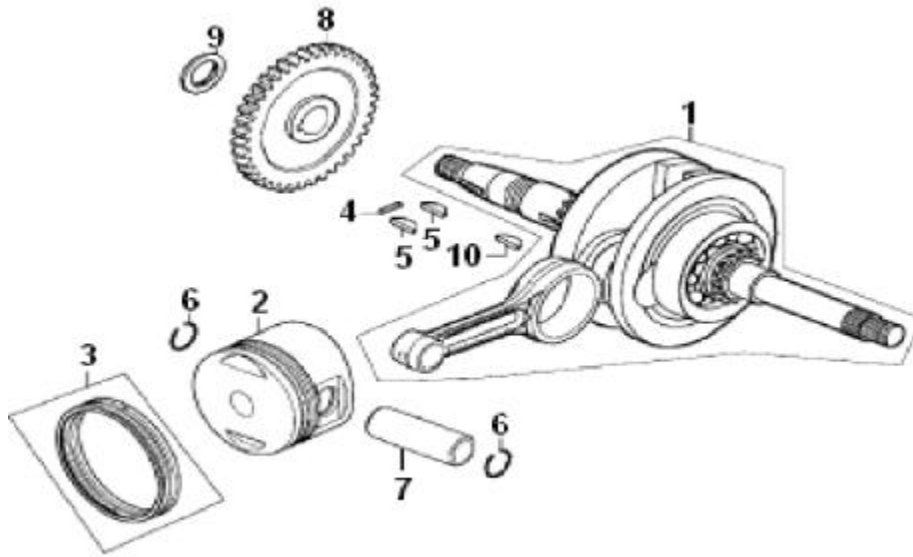
Rankcase Assembly



No.	Code	Name	Qty.
1	110080082-0001	CRANKCASE COMP, R	1
2	110030140-0001	CRANKCASE COMP, L	1
3	110240046-0001	BOLT, STUD A	4
4	380450018-0003	WASHER, DRAIN PLUG	1
5	380140019-0006	BOLT	7
6	380140021-0006	BOLT	2
7	380140128-0002	BOLT	1
8	110100068-0001	GASKET, CRANKCASE	1
9	380600006-0001	PIN, DOWEL	2
10	380650007-0001	OIL SEAL	1
11	380650268-0001	OIL SEAL	1
12	270740004-0001	CLAMP PLATE, CABLE	1
13	380140026-0006	BOLT	2
14	191380004-0001	BEARING BAFFLE, MAINSHAFT	2
15	380140011-0001	BOLT	1
16	380630431-0001	BEARING	1
17	380630424-0001	BEARING	1
18	380630537-0001	BEARING	1
19	380140112-0002	BOLT	1
20	270650080-0001	INDICATOR, GEAR	1
21	380140069-0001	BOLT	1
22	380450354-0001	WASHER, DRAIN PLUG	1
23	380650266-0001	OIL SEAL	1

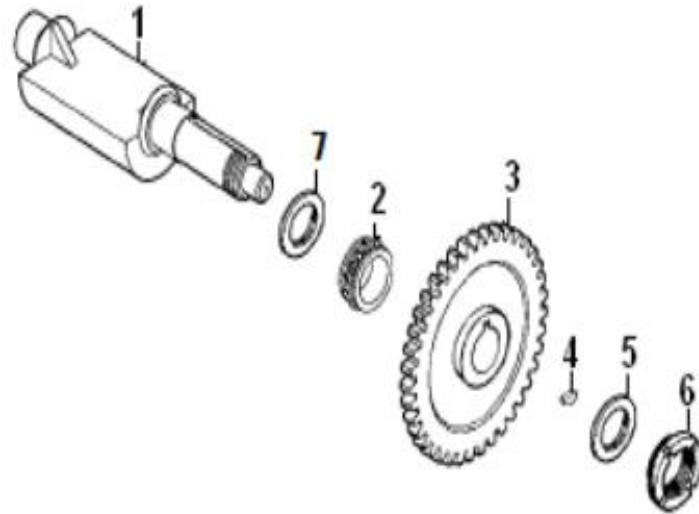
24	380630536-0001	BEARING	2
25	380650267-0001	OIL SEAL	1
26	380630099-0001	BEARING	1
27	120280003-0002	CAP, OIL FILTER SCREEN	1
28	380840132-0001	SEAL	1
29	381150252-0001	SPRING, OIL FILTER SCREEN	1
30	150290001-0001	SCREEN, OIL FILTER	1
31	380630431-0001	BEARING	1
32	380140208-0002	BOLT	1
33	380750497-0001	TUBE, FUEL OIL	1
34	380750497-0002	TUBE, FUEL OIL	1
35	500270146-0002	CRANKCASE KIT	1

Crankcase & Piston



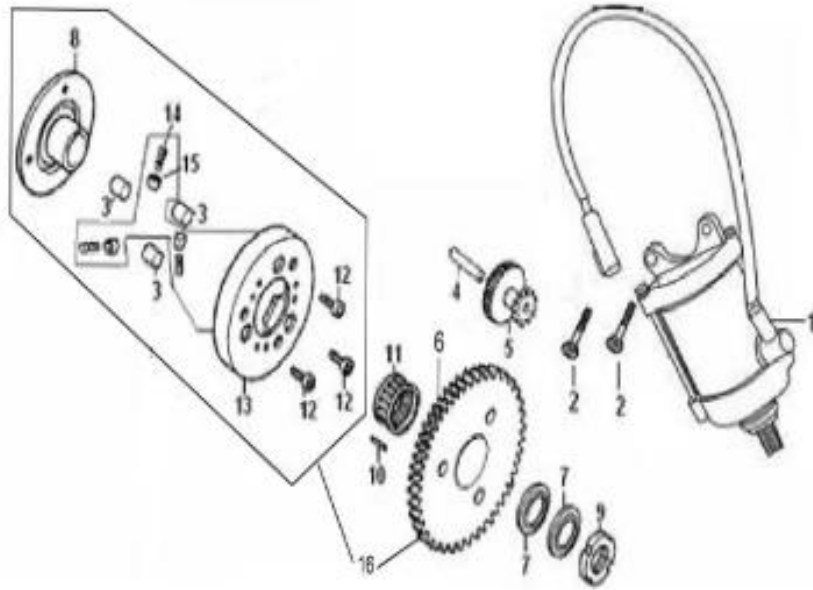
No.	Code	Name	Qty.
1	130140282-0001	CRANKSHAFT COMP	1
2	130030125-0002	PISTON	1
3	130070007-0001	RING SET, PISTON	1
4	380600081-0001	PIN, DOWEL	1
5	380620002-0001	KEY, WOODRUFF	2
6	380560001-0001	CLIP, PISTON PIN	2
7	130060002-0001	PIN, PISTON	1
8	130460005-0001	DRIVEN GEAR, BALANCER SHAFT	1
9	380450368-0001	WASHER, DRAIN PLUG	1
10	3806	KEY	1

Balancer Shaft



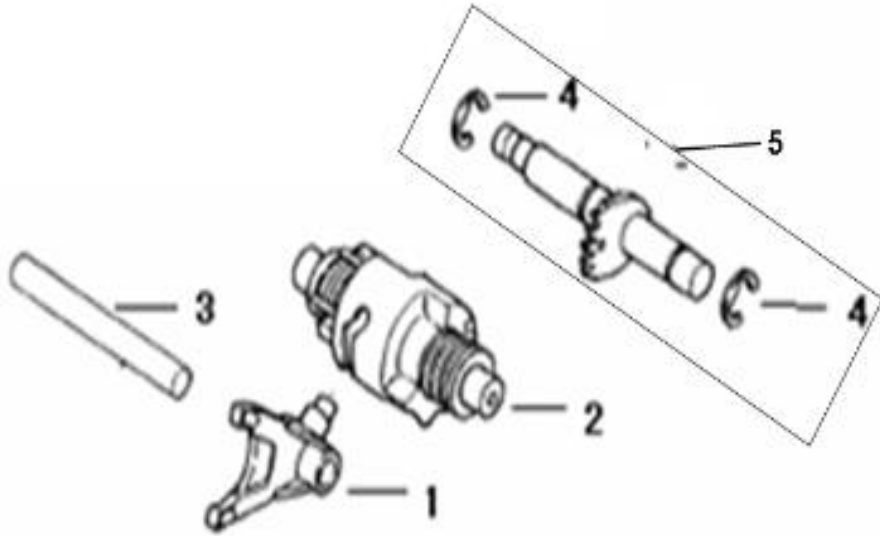
No.	Code	Name	Qty.
1	130450013-0001	BALANCER SHAFT	1
2	150150012-0001	SPROCKET DRIVE, OIL PUMP	1
3	130480005-0001	GEAR, BALANCER SHAFT	1
4	380620019-0001	KEY, WOODRUFF	1
5	130490002-0001	WASHER GEAR, BALANCER SHAFT	1
6	380810027-0001	NUT, LOCK	1
7	380450362-0001	WASHER, DRAIN PLUG	1

Starting Motor



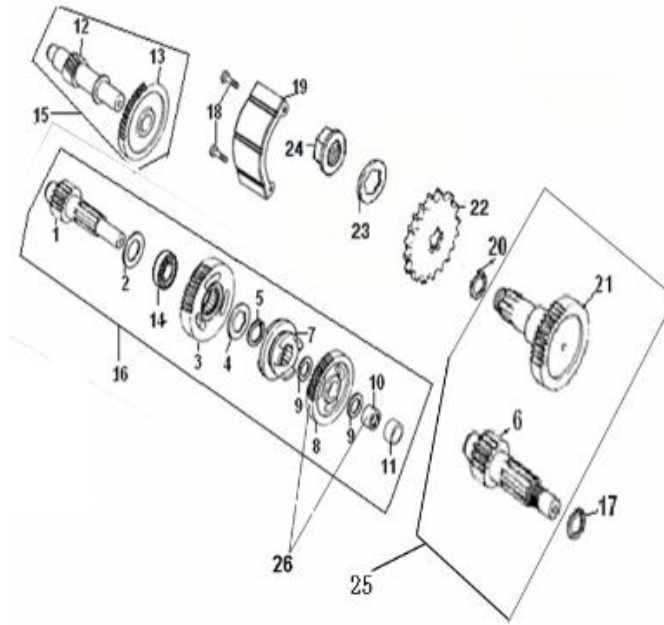
No.	Code	Name	Qty.
1	270350052-0004	MOTOR, STARTER	1
2	380140002-0006	BOLT	2
3	193140007-0001	ROLLER	3
4	193230013-0001	SHAFT, STARTING IDLE GEAR	1
5	193190018-0001	GEAR, STARTING IDLE	1
6	193240018-0001	SPROCKET	1
7	381470001-0001	WASHER	2
8	193100010-0001	BUSH, STARTING CLUTCH	1
9	380810032-0001	NUT, LOCK	1
10	380600006-0001	PIN, DOWEL	1
11	380630172-0001	BEARING, NEEDLE	1
12	380190052-0001	BOLT, HEX.	3
13	193110008-0001	OUTER COMP., STARTING CLUTCH	1
14	381150250-0001	SPRING, STARTING CLUTCH ROLLER	3
15	193160007-0001	CAP, STARTING CLUTCH ROLLER SPRING	3
16	193090017-0001	STARTING CLUTCH ASSY	1

Variable Unit



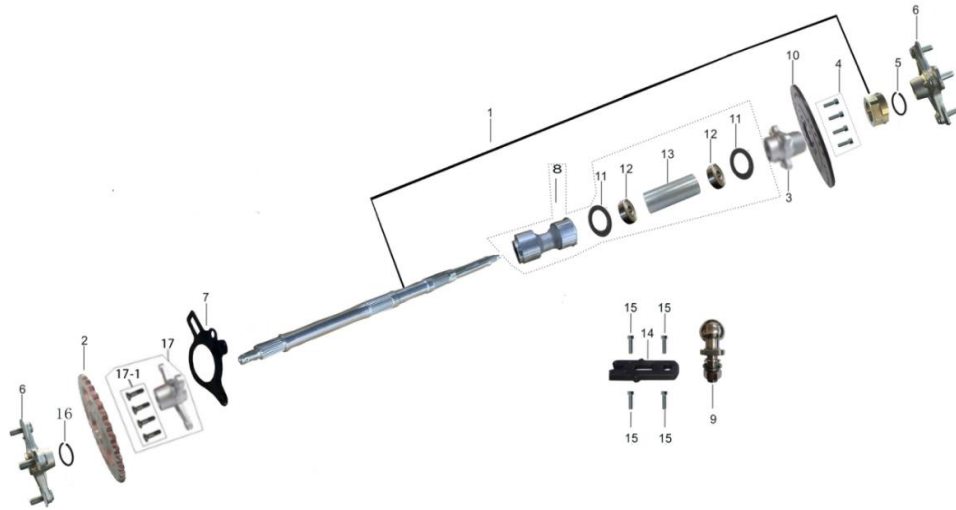
No.	Code	Name	Qty.
1	192120034-0001	FORK, GEARSHIFT	1
2	192070007-0001	DRUM, GEARSHIFT	1
3	192130012-0001	SHAFT, GEARSHIFT, FORK	1
4	380540027-0001	CLRCLIP	2
5	192330009-0001	GEAR SHAFT	1

Countershaft & Reverse Gear



No.	Code	Name	Qty.
1	191880001-0001	COUNTERSHAFT, REVERSE GEAR	1
2	380450369-0001	WASHER, DRAIN PLUG	1
3	191760002-0001	DRIVENWHEEL, REVERSE GEAR	1
4	380500022-0001	SPRING WASHER	1
5	380550006-0001	SNAP RING	1
6	191260109-0001	MAINSHAFT,	1
7	194340001-0001	RATCHET WHEEL	1
8	191730003-0001	DRIVEN WHEEL, FORWARD GEAR	1
9	380450361-0001	WASHER, DRAIN PLUG	2
10	380821149-0001	SLEEVE	1
11	380821107-0001	SLEEVE	1
12	191750003-0001	TRANSMISSION SHAFT, REVERSE GEAR	1
13	191770004-0001	DRIVEN WHEEL, REVERSE GEAR	1
14	380630171-0001	BEARING, RADIAL BALL	1
15	191700003-0001	TRANSMISSION SHAFT PARTS, REVERSE GEAR	1
16	191870006-0001	COUNTERSHAFT PARTS, REVERSE GEAR	1
17	380550009-0001	SNAP RING	1
18	380140021-0006	BOLT	2
19	290450004-0001	CHAIN WHEEL, COVER	1
20	380821333-0001	SHAFT COVER	1
21	191400035-0001	COUNTERSHAFT	1
22	191600053-0001	COUNTERSHAFT DRIVE SPROCKET	1
23	191640005-0001	SPROCKET MOUNTING LOCK WASHER	1
24	191530004-0001	COUNTERSHAFT LOCKNUT	1
25	500290503-0001	MAINSHAFT&COUNTERSHAFT KIT	1
26	196410001-0001		1

Rear Axle Assy



No.	Code	Model	Name	Qty.
1	505001-0013	AU200	REAR WHEEL AXLE	1
2	205001-0033	AU200	STEEL SPROCKET	1
3	205003-0002	AU200	REAR SPROCKET PERCH	1
4	903013-0017-02	ATV	SCREW,M8*16	4
4	903013-0017-06	ATV	SCREW,M8*16	4
5	903004-0002	ATV	STEEL DETENT RING	1
6	402003-0014	AU200	REAR HUB	2
7	568000-0085	AU200	MOUNTING PLATE	1
8	505002-0004	A250	REAR AXLE ALUMINUM SEAT	1
9	603003-0008	AU200-T3	LINKAGE BALL HEAD	1
9	603003-0008-02		LINKAGE BALL HEAD	1
10	405001-0022	AU200	REAR BRAKE DISC	1
11	908001-0011	ATV	OIL SEAL	2
12	907001-0011	ATV	BEARING	2
13	901003-0017	AU200	REAR AXLE INNER BUSH	1
14	568000-0061	AU200-T3	FIXED PLATE	1
15	903013-0036		SCREW,M10*30*1.5	4
15	903013-0036-02		SCREW M10*30*1.5	4
16	903004-0007	ATV	CLIP Φ70	1
17	205003-0007	AU200	REAR SPROCKET BASE	1
17-1	903020-0048		SCREW M10*20*1.25	4

Carburetor and Air Filter Assy



No.	Code	Model	Name	Qty.
1	102000-0072	AU200 T3	CARBURETOR	1
2	903012-0007-02	ATV	SCREW TM6*16	1
2	903012-0007-03	ATV	SCREW TM6*16	1
3	906001-0002		HOOP	1
4	105003-0006	AU200	AIR FILTER CONNECTOR	1
4	105003-0027		AIR FILTER HOSE	1
5	105000-0023	AU200	AIR FILTER ASSY.	1
5-1	105002-0014	AU200	FILTER CORE	1
5-2	906001-0004	T4	CLAMP	1
6	105004-0014		AIR FILTER LAYERING	1

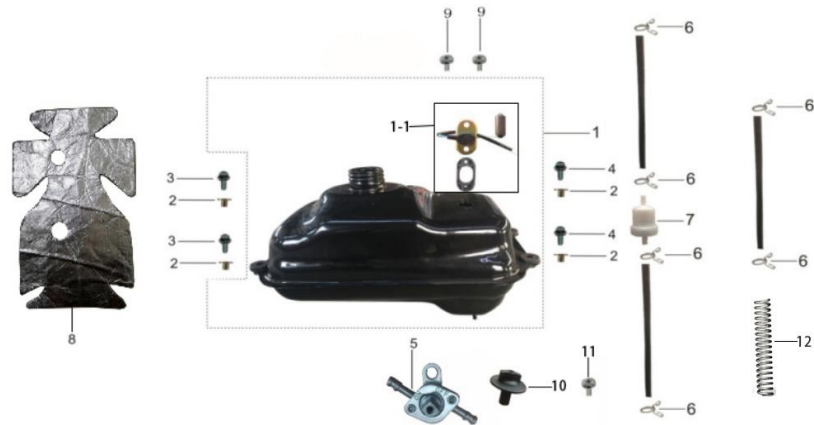
Muffler Assy



No.	Code	Model	Name	Qty.
1	106001-0088	AU200	MUFFLER	1
1	106006-0016	AU200	ACCELERANT	1
1	106001-0108	AU200	MUFFLER	1
1	106001-0108-02		MUFFLER	1
	106006-0025	AU200	ACCELERANT	1
1-1	106003-0001	T4	SEAL GASKET Φ 30*40*T5	1
2	903019-0011-02	ATV	FLANGE BOLT M8*12	1
2	903019-0011-03	ATV	FLANGE BOLT M8*12	1
3	903007-0002-02	ATV	NUT M6	2
3	903007-0002-03	ATV	NUT M6	2

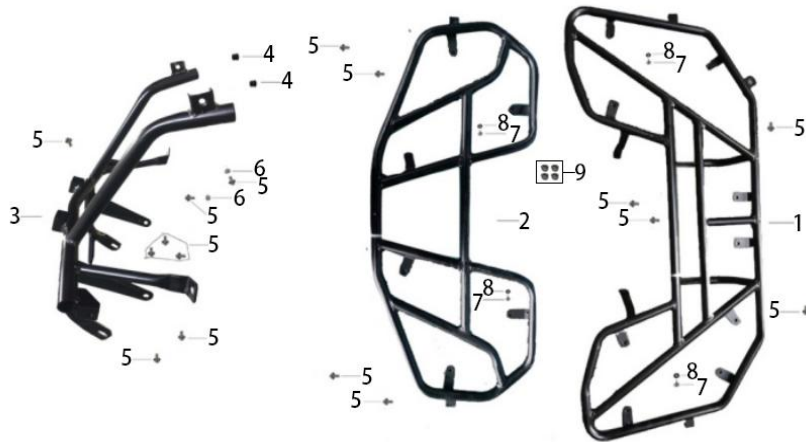
17	312001-0028	AU200	BATTERY	1
18	308004-0005	AU200-T3	INDICATOR	1
19	317001-0002	AU200-T3	INDICATOR	1
20	317002-0001	AU200-T3	EXTERNAL POWER SUPPLY SOCKET	1
21	317001-0001	AU200-T3	ALERTOR	1
22	317001-0003	AU200-T3	OBD SAFETY DETECTOR	1
22	317001-0005	AU200 T3	OBD SAFETY DETECTOR	1
23	308006-0010	AU200-T3	REAR REFLECTOR	2
24	308004-0006	AU200-T3	LICENSE PLATE LIGHT	1
25	903006-0002-02	ATV	NUT M6	1
25	903006-0002-06	ATV	NUT M6	1
26	909010-0011	TT	EVA	1
27	315012-0017	AU200	BATTERY HOLDER	1
28	903007-0001-02	ATV	NUT M5	3
28	903007-0001-03	ATV	NUT M5	3
29	905001-0003		CORE RIVETS	2
30	315003-0005	AU200	CDI BRACKET	1
31	315003-0004	A250	CDI SUPPORT PLATE	1
32	103003-0002	TD	RUBBER JACKET FOR OIL COOLER	4
33	903006-0001		NUT M5	2
33	903006-0001-03	ATV	NUT M5	2
34	903010-0008	ATV	SCREW ST4.8*19	1
34	903010-0008-02	ATV	SCREW ST4.8*19	1
35	903018-0008-02		FLANGE BOLT M6*40	1
35	903018-0008-06	ATV	FLANGE BOLT M6*40	1
36	902001-0003	TS	BUSH $\Phi 8*12*H13$	1
37	903013-0040	ATV	SCREW M5*30	3
37	903013-0040-06	ATV	SCREW M5*30	3
38	903009-0005-02	ATV	SCREW M5*12	2
38	903009-0005-03	ATV	SCREW M5*12	2
39	903009-0011	ATV	SCREW M4*16	2
39	903009-0011-02	ATV	SCREW M4*16	2
40	903008-0024	ATV	NUT M4	2
40	903008-0024-02	ATV	NUT M4	2
41	405010-0001	TD	CLIP	2
42	309002-0010	AU200 T3	LINE	1

Fuel Tank Assy



No.	Code	Model	Name	Qty.
1	805002-0019	AU200	FUEL TANK ASSY.	1
1-1	805004-0013		OIL LEVEL SENSOR	1
2	103003-0001		OIL TANK MOUNTING BUSH	4
3	903019-0006		BOLT,M6*25	2
3	903019-0006-02	ATV	FLANGE BOLT M6*25	2
4	903019-0008-02	ATV	BOLT,M6*30	2
4	903019-0008-06	ATV	BOLT,M6*30	2
5	805004-0011	AU200	NEGATIVE PRESSURE SWITCH	1
5	805004-0029		FUEL TANK SWITCH	1
5	805004-0029-02		FUEL TANK SWITCH	1
6	906002-0001		PIPE CLIP,Φ7.5	6
7	108001-0001		OIL FILTER	1
8	909010-0023	AU200	HEAT INSULATION FILM	1
9	903012-0008-02	ATV	SCREW,TM6*20	2
9	903012-0008-03	ATV	SCREW TM6*20	2
10	805004-0030		FUEL TANK SWITCH HANDLE	1
10	805004-0030-02		FUEL TANK SWITCH HANDLE	1
11	903009-0003		SCREW M4*12	1
11	903009-0003-03	ATV	SCREW M4*12	1
12	407002-0005		SPRING Φ10*Φ1*240MM	1

Front And Rear Rack Assy



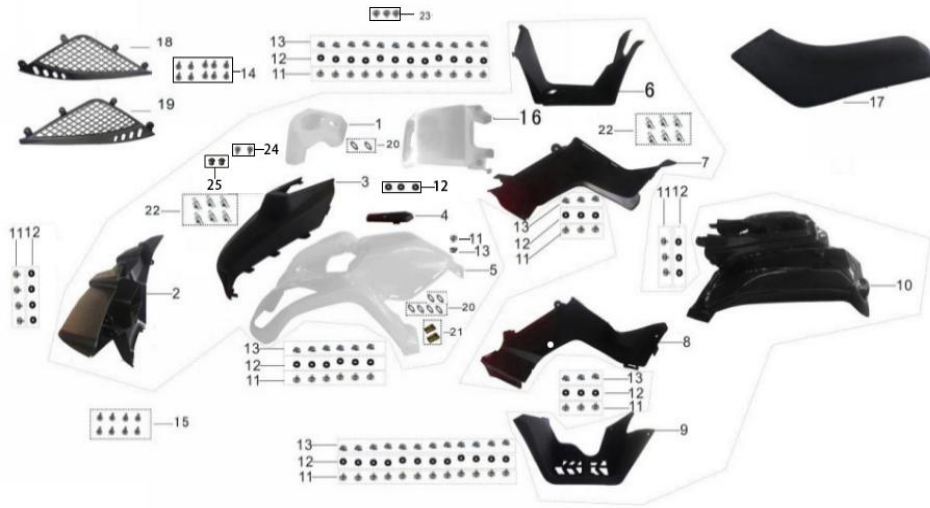
No.	Code	Model	Name	Qty.
1	703000-0030	AU200	REAR RACK ASSY.	1
2	702000-0008	AU200	FRONT RACK ASSY.	1
3	704000-0006-01	AU200	FRONT GUARD ASSY.	1
4	908007-0015		RUBBER COLUMN	2
5	903019-0012-02	ATV	SCREW,M8*16	16
5	903019-0012-06	ATV	SCREW,M8*16	16
6	903007-0004-02	ATV	FLANGE LOCKNUT M8	2
6	903007-0005	ATV	FLANGE LOCKNUT M8	2
7	903012-0007-02	ATV	SCREW,TM6*16	4
7	903012-0007-03	ATV	SCREW TM6*16	4
8	908003-0002		RUBBER FLAT WASHER Φ 5.5*15*2	4
9	903007-0002-02	ATV	NUT M6	4
9	903007-0002-03	ATV	NUT M6	4

Front And Rear Plastic Cover Assy



No.	Code	Model	Name	Qty.
1	803006-0015	AU200	PLASTIC COVER FOR FRONT RACK	1
2	803006-0016	AU200	PLASTIC COVER FOR REAR RACK	1
2	803006-0016-02		PLASTIC COVER FOR REAR RACK	1
3	903012-0008-02	ATV	SCREW, TM6*20	6
3	903012-0008-03	ATV	SCREW TM6*20	6
4	903012-0007-02	ATV	SCREW TM6*16	10
4	903012-0007-03	ATV	SCREW TM6*16	10
5	908003-0002		RUBBER FLAT WASHER	16
	803006-0020		PLASTIC REAR RACK COVER	1

Cover Assy



No.	Code	Model	Name	Qty.
1	803006-0006-02	AU200	HEAD COVER	1
1	803006-0006-04		HEAD COVER	1
2	803006-0008	AU200	PLASTIC BUMPER	1
3	803006-0005	AU200	FRONT COVER	1
4	803006-0009	AU200	GEAR SHIFTER DECORATING PLAT	1
5	803006-0001-02	AU200	FRONT MAIN COVER	1
5	803006-0001-05		FRONT MAIN COVER	1
6	803006-0012	AU200	RIGHT PLASTIC FOOTPEG	1
7	803006-0004	AU200	RIGHT CENTRAL GUARD	1
8	803006-0003	AU200	LEFT CENTRAL GUARD	1
8	803006-0019		LEFT CENTRAL GUARD	1
9	803006-0011	AU200	LEFT PLASTIC FOOTPEG	1
10	803006-0002-02	AU200	REAR MAIN COVER	1
10	803006-0002-05		REAR MAIN COVER	1
11	903012-0007-02	ATV	SCREW TM6*16	44
11	903020-0055	ATV	BOLT M6*16	44
12	908003-0002		RUBBER FLAT WASHER	46
13	903006-0002-02	ATV	NUT M6	37
13	903006-0002-06	ATV	NUT M6	37
14	903010-0004-02		SCREW ST4.2*12	10
14	903010-0004-06	ATV	SCREW ST4.2*12	10
15	903010-0005-02		SCREW ST4.2*16	8
15	903010-0005-03	ATV	SCREW ST4.2*16	8
16	803006-0007-02	AU200	OIL TANK GUARD PLATE	1
16	803006-0007-05		OIL TANK GUARD PLATE	1
17	701000-0024-03	AU200	SEAT	1

18	803006-0013	AU200	ENGINE LEFT GUARD PLATE	1
19	803006-0014	AU200	ENGINE RIGHT GUARD PLATE	1
20	903002-0001-02		WASHER $\Phi 6*12*1.5$	8
20	903002-0001-06	ATV	WASHER $\Phi 6*12*1.5$	8
21	903008-0018	ATV	CLIP NUT ST4.8 11*17*0.8	2
22	903008-0019	ATV	NUT M6 11*17.2*1.0	12
22	903008-0019-02	ATV	NUT M6 11*17.2*1.0	12
23	903012-0008-02	ATV	SCREW, TM6*20	3
23	903020-0056	ATV	BOLT M6*20	3
24	903009-0006-02	ATV	SCREW, M5*16	2
24	903009-0006-03	ATV	SCREW M5*16	2
25	908004-0003		PLUG $\Phi 12*\Phi 15*14$	2

Sticker



No.	Code	Model	Name	Qty.
1	804011-0013	AU200	STICKER	1
1	804011-0013-02		STICKER	1
2	804019-0112		STICKER	1