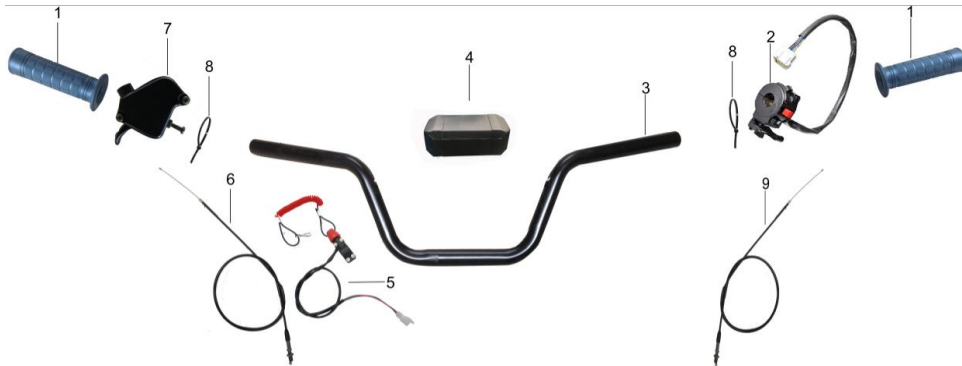


AT125

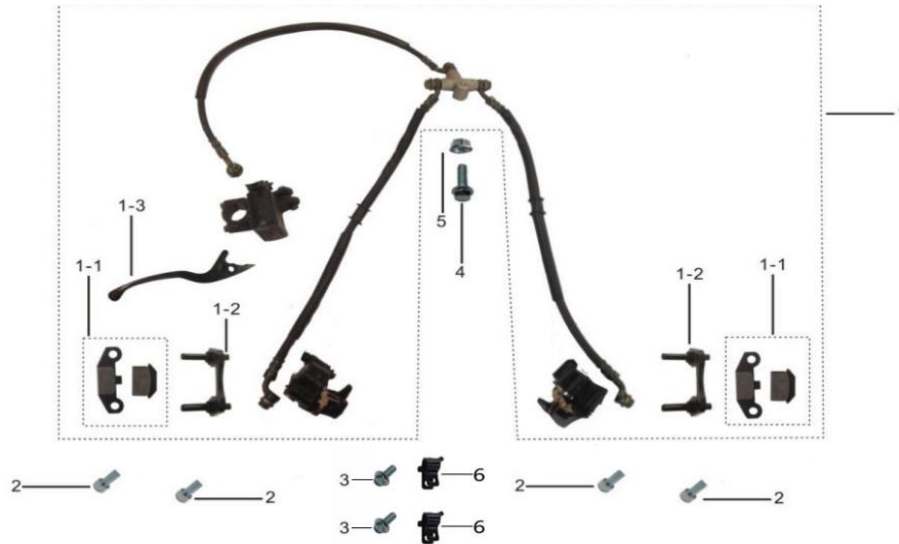


Handlebar Assy



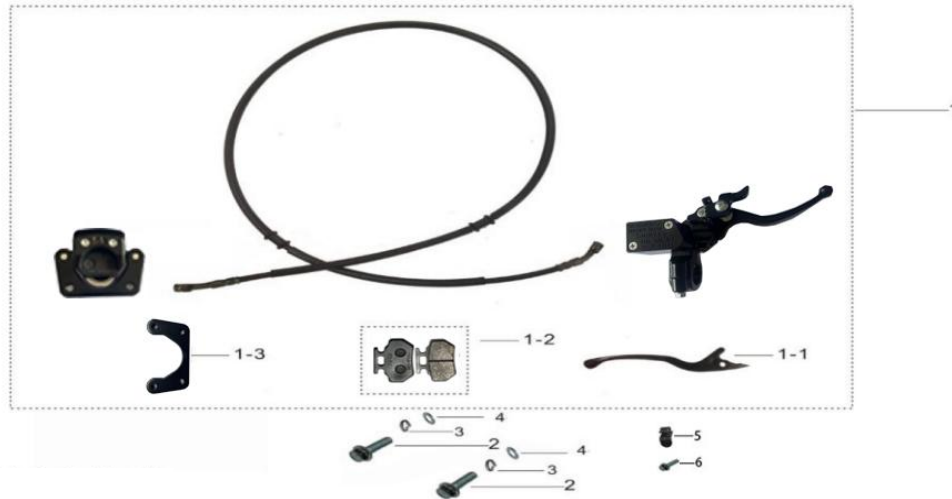
No.	Code	Model	Name	Qty.
1	602006-0026		BAR GRIP	2
2	313001-0008	AY70	MULTI-FUNCTIONAL SWITCH	1
3	602001-0019	AT110	HANDLEBAR	1
4	602017-0006-02	KMB	PADDING	1
5	313003-0011-02	TS	STOP SWITCH	1
6	602014-0003	A125	THROTTLE CABLE L=600/83	1
7	602011-0013		ACCELERATOR	1
8	906003-0002		PLASTIC BELT	2
9	602015-0003	AY70	CHOKE CABLE	1

Front Brake Assy



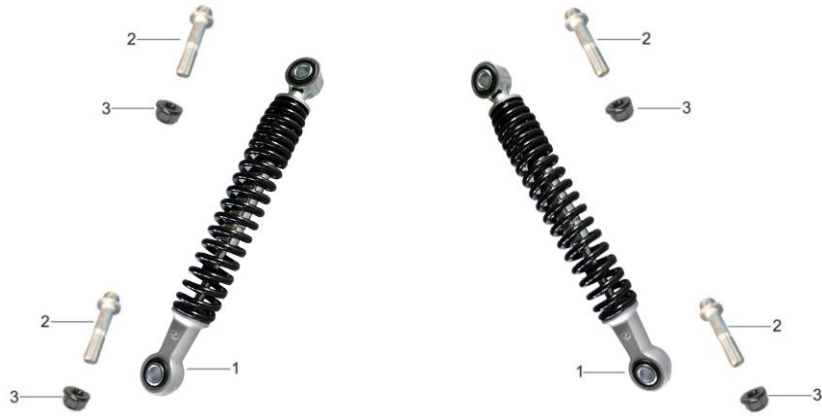
No.	Code	Model	Name	Qty.
1	404000-0147-02		FRONT BRAKE ASSY L=460+440*2	1
1-1	404007-0011	AT110	FRONT BRAKE PAD	2
1-2	404008-0011	AT110	FRONT BRAKE BRACKET	2
1-3	404002-0016	AY110	RIGHT BRAKE LEVER	1
2	903019-0012-03	ATV	FLANGE BOLT M8*16	4
2	903019-0012-06	ATV	FLANGE BOLT M8*16	4
3	903018-0003-03	ATV	FLANGE BOLT M6*12	2
3	903018-0003-06	ATV	FLANGE BOLT M6*12	2
4	903018-0011-02	ATV	FLANGE BOLT M8*35	1
4	903018-0011-06	ATV	FLANGE BOLT M8*35	1
5	903007-0005		FLANGE LOCK NUT M8	1
6	405010-0002	TD	REAR BRAKE OIL PIPE CLAMP	2

Rear Brake Assy



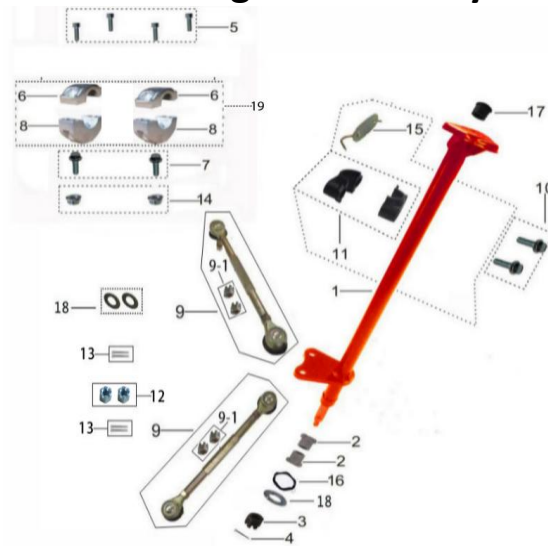
No.	Code	Model	Name	Qty.
1	405000-0123-02		REAR BRAKE L=1320	1
1-1	404002-0015	AY110	LEFT BRAKE LEVER	1
1-2	405008-0007	AT110	REAR BRAKE PAD	1
1-3	405009-0019	AU110	REAR BRAKE BRACKET	1
2	903019-0014-03	ATV	FLANGE BOLT M8*25	2
3	903001-0003-02	ATV	SPRING WASHER $\Phi 8*13*2$	2
4	903002-0004-03	ATV	FLAT WASHER $\Phi 8*16*1.5$	2
4	903002-0004-06	ATV	FLAT WASHER $\Phi 8*16*1.5$	2
5	405010-0001	TD	REAR BRAKE OIL PIPE CLAMP $\Phi 10$	1
6	903019-0003-02	ATV	FLANGE BOLT M6*16	1

Front Shock Assy



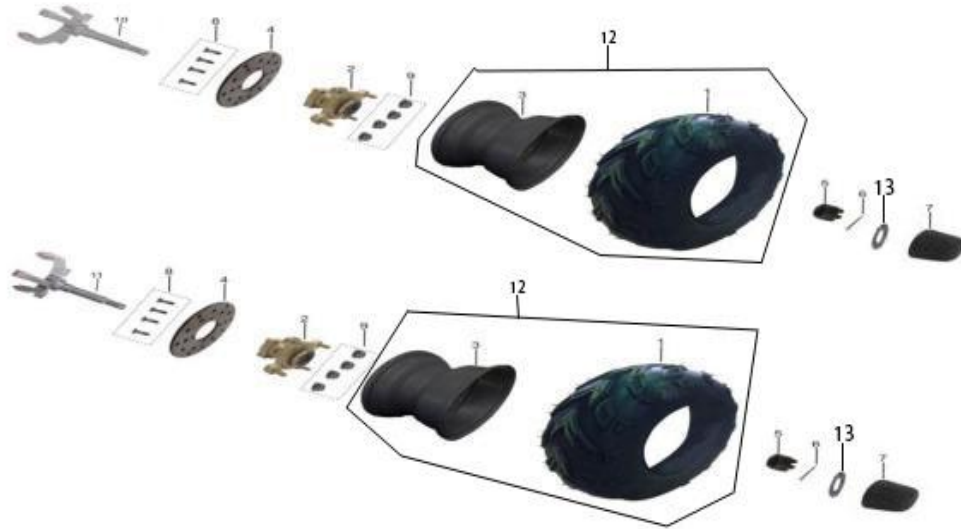
No.	Code	Model	Name	Qty
1	501000-0094	AT110/AU110	FRONT LEFT AND RIGHT SHOCK ABSORBER	2
1	501000-0164		FRONT LEFT AND RIGHT SHOCK ABSORBER	2
2	903018-0032-02	ATV	FLANGE BOLT M10*40*1.25	4
2	903018-0032-06	ATV	FLANGE BOLT M10*40*1.25	4
3	903007-0006-02		FLANGE LOCK NUT M10*1.25	4

Steering Column Assy



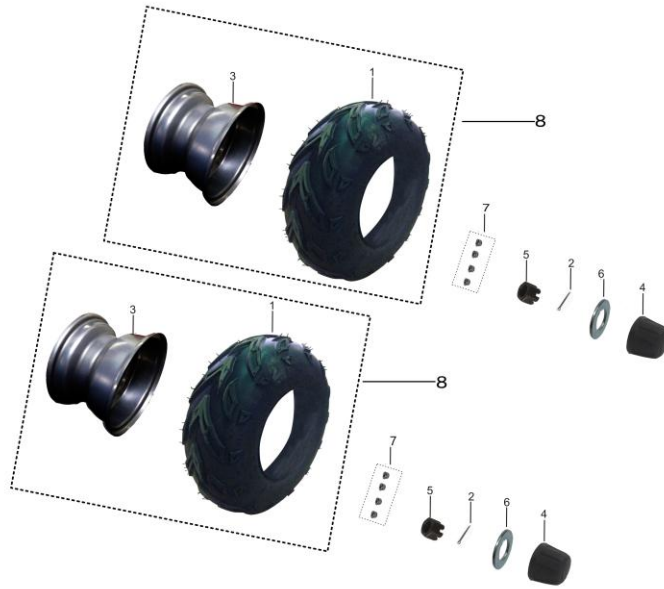
No.	Code	Model	Name	Qty.
1	566000-0013-02	AT110	FRONT STEERING	
1	566000-0036-01		FRONT STEERING	
2	902002-0031	ATV	BUSHING $\Phi 15*29*H20+\Phi 21+H17$	
3	903008-0009-02	ATV	SLOTTED NUT M10*1.25	
4	904002-0004-03	ATV	COTTER PIN 3*20	
4	904002-0003-04			
5	903013-0022-03	ATV	SCREW M8*35	
5	903013-0022-06	ATV	SCREW M8*35	
6	601003-0023		UPPER RAISER	
7	903017-0011-02	ATV	FLANGE BOLT M10*30*1.5 S14	
8	601004-0028		LOWER RAISER	
9	603001-0006	AT110	STEERING LINKAGES ASSY. L=170 M10*1.25*22+M10*1.25*26	
9-1	603005-0009		NUT M10*1.25*H9	
10	903018-0015-03	ATV	FLANGE BOLT M8*55	
11	603004-0003	AY70	STEERING RAISER H20.5*39.5	
12	903007-0006-02		FLANGE LOCK NUT M10*1.25	
12	903008-0009-02		NUT M10*1.25	
13	904002-0002-03	ATV	COTTER PIN 2.5*24	
14	903018-0015-03	ATV	FLANGE BOLT M8*55	
15	568000-0001-02		CLIP	
15	568000-0001-03		CLIP	
16	903003-0003	ATV	WASHER $\Phi 15*21$	
17	908004-0003	AY70	PLUG $\Phi 10*\Phi 15*14$	
18	903002-0008-03	ATV	FLAT WASHER $\Phi 10*20*2$	
18	903002-0008-06	ATV	FLAT WASHER $\Phi 10*20*2$	
19	C90004-0177	AT110	UPPER/LOWER PRESSURE BLOCK ASSEMBLY	

Front Wheel Assy



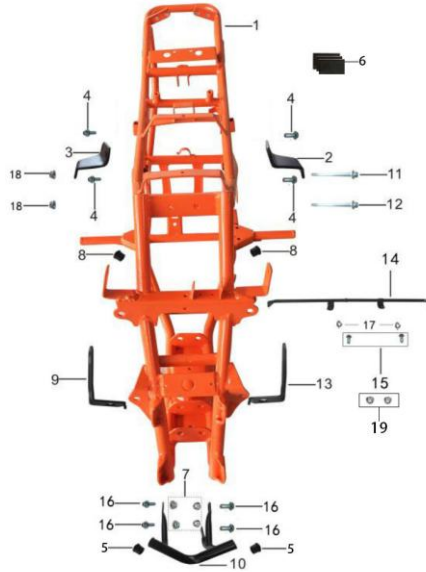
No.	Code	Model	Name	Qty.
1	401006-0046		FRONT TYRE	2
2	401003-0008	AT110	FRONT HUB SEAT	2
3	401000-0058		FRONT RIM	2
4	404001-0014	AT110	FRONT BRAKE DISC	2
5	903008-0011-02	ATV	SLOTTED NUT M14*1.5*H18	2
6	904002-0004-03	ATV	COTTER PIN 3*20	2
7	401011-0001	AY70	HUB COVER	2
8	903014-0001-03	ATV	SCREW M6*16	8
9	903007-0004-02	ATV	FLANGE LOCK NUT M8	8
10	603002-0009	AT110	LEFT KNUCKLE	1
11	603002-0010	AT110	RIGHT KNUCKLE	1
12	C90004-0034	AT110	FRONT LEFT/RIGHT WHEEL ASSEMBLY	2
13	903002-0013-03	ATV	FLAT WASHER $\Phi 15*30*2.5$	2

Rear Wheel Assy



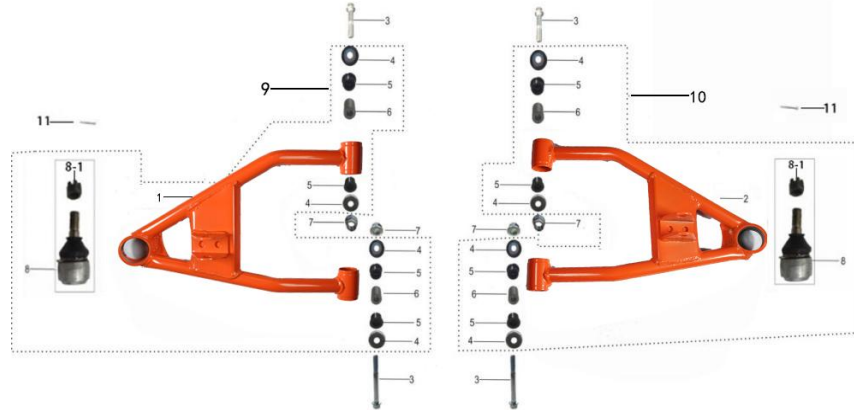
No.	Code	Model	Name	Qty.
1	402006-0036		REAR TYRE	2
2	904002-0006-03	ATV	COTTER PIN 4*28	2
3	402000-0064		REAR RIM 8*7.0AT-4/110	2
4	401011-0001	AY70	HUB COVER	2
5	903008-0030-02	ATV	SLOTTED NUT M16*1.5*H18	2
6	903002-0014-02	ATV	FLAT WASHER Φ 17*48*3	2
7	903007-0006-02		FLANGE LOCK NUT M10*1.25	8
8	C90004-0035	AT110	REAR LEFT/RIGHT WHEEL ASSEMBLY	2

Frame Assy



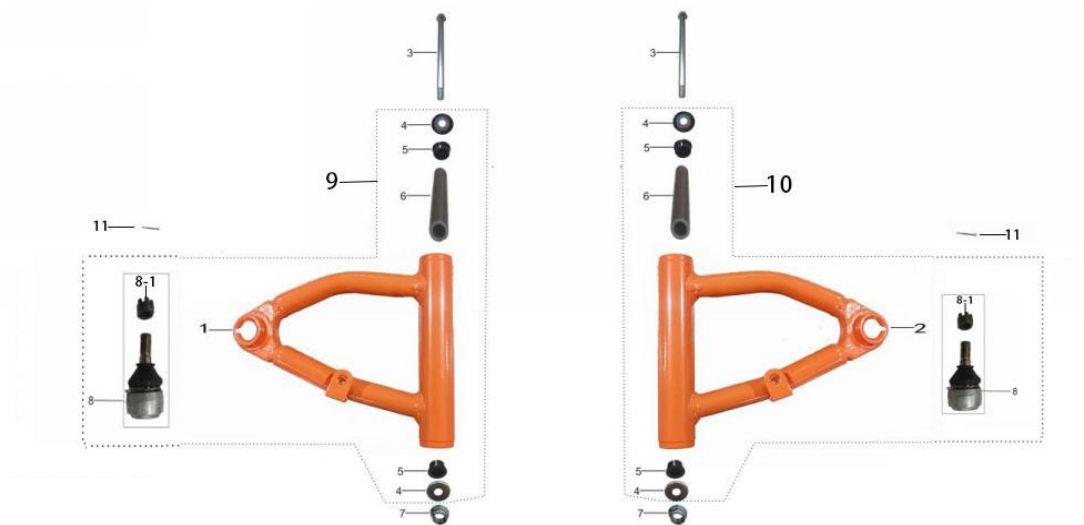
No.	Code	Model	Name	Qty.
1	561000-0039-02	AT125	FRAME ASSY/ORANGE	1
2	568000-0003	AY70	ENGINE LIFTING HANGER	1
3	568000-0005	AY70	RIGHT ENGINE LIFTING HANGER	1
4	903020-0030-02	A150	FLANGE BOLT KIT M8*16	4
5	908004-0003		PLUG $\Phi 10*\Phi 15*14$	2
6	909010-0008		EVA 82*65*4	3
7	903007-0005		FLANGE LOCK NUT M8	4
8	908007-0015	AY70	PLUG $\Phi 14*\Phi 19*17$	2
9	568000-0070	AT110	RIGHT FRONT MOUNTING PLATE 56*30*39	1
10	704000-0012	AT110	FRONT GUARD 203*112	1
11	903018-0023		FLANGE BOLT M8*110	1
12	903018-0022	TT	FLANGE BOLT M8*105	1
13	568000-0069	AT110	LEFT FRONT MOUNTING PLATE	1
14	568000-0071	AT110	SUPPORT REBAR L334	1
15	903018-0003-03	ATV	FLANGE BOLT M6*12	2
15	903018-0003-06	ATV	FLANGE BOLT M6*12	2
16	903019-0013-03	ATV	FLANGE BOLT M8*20	4
16	903019-0013-06	ATV	FLANGE BOLT M8*20	4
17	903001-0002-03	ATV	SPRING WASHER $\Phi 6$	2
17	903001-0002-06	ATV	SPRING WASHER $\Phi 6$	2
18	903007-0005	AT110	FLANGE LOCK NUT M8	2
19	903007-0002-03	ATV	FLANGE LOCK NUT M6	2

Lower Rocker Assy



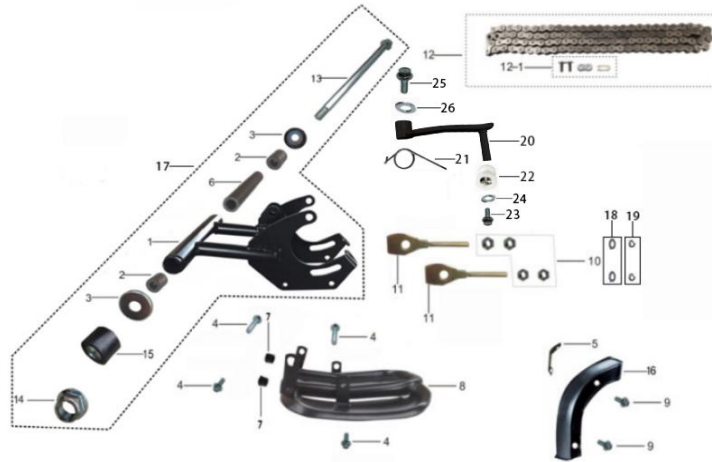
No.	Code	Model	Name	Qty.
1	565000-0066-01	AT110	RIGHT BELOW ROCKER ARM	1
2	565000-0065-01	AT110	LEFT BELOW ROCKER ARM	1
3	903018-0035-02		FLANGE BOLT M10*70*1.25	4
3	903018-0035-06		FLANGE BOLT M10*70*1.25	4
4	908007-0006	ATV	SEAL COVER 'Φ10*35*H8+Φ27.5*6.5	8
4	908007-0006-02			8
5	902002-0029	AY70	BUSHING Φ16*27*14+Φ23+H11	8
6	902001-0026	AY70	STEEL BUSHING Φ10.2*16*H46	4
7	903007-0006-02		FLANGE LOCK NUT M10*1.25	4
8	603003-0011	AT110	LINKAGE BALL	2
8-1	603005-0009		NUT M10*1.25*H9	2
9	C90004-0070		RIGHT LOWER ROCKER ARM ASSY/ORANGE	1
10	C90004-0069		LEFT LOWER ROCKER ARM ASSY/ORANGE	1
11	904002-0002-03	ATV	COTTER PIN 2.5*24	2

Upper Rocker Assy



No.	Code	Model	Name	Qty.
1	565000-0064-01	AT110	RIGHT UPPER ROCKER ARM	1
2	565000-0063-01	AT110	LEFT UPPER ROCKER ARM	1
3	901001-0005	SSR	FLANGE AXLE	2
3	901001-0005-06	TD	FLANGE AXLE	2
4	908007-0006	ATV	SEAL COVER 'Φ10*35*H8+Φ27.5*6.5	4
4	908007-0006-02			4
5	902002-0038	A250	PLASTIC BUSHING	4
6	902001-0040	AT110	STEEL BUSHING	2
7	903007-0006-02		FLANGE LOCK NUT M10*1.25	2
8	603003-0011	AT110	LINKAGE BALL	2
8-1	603005-0009		NUT M10*1.25*H9	2
9	C90004-0068	AU110	RIGHT UPPER ROCKER ARM ASSY/ORANGE	1
10	C90004-0067	AU110	LEFT UPPER ROCKER ARM ASSY/ORANGE	1
11	904002-0002-03	ATV	COTTER PIN 2.5*24	2

Rear Swingarm Kit



No.	Code	Model	Name	Qty.
1	563000-0030-01		REAR FORK L=289	1
1	563000-0041-02		REAR FORK L=289	1
1	563000-0041-0202		REAR FORK L=289	1
2	902001-0053	AY70	SPACER BUSH	2
3	908007-0007	AY70	SEALING COVER	2
4	903015-0005-02	ATV	SCREW M8*16	4
5	568000-0010	AT110	CHAIN COVER MOUNTING PLAT	1
6	901003-0007	AY70	INNER LINING PIPE	1
7	908004-0002	AY70	CHAIN SUPPORT PLUG	2
8	568000-0004	AY70	CHAIN SUPPORT ASSY	1
9	903018-0003-03	ATV	FLANGE BOLT M6*12	2
9	903018-0003-06	ATV	FLANGE BOLT M6*12	2
10	903005-0007-03	ATV	FLANGE NUT M8	4
10	903005-0006-06		FLANGE NUT M8	4
11	203003-0009	AT110	CHAIN AJUSTER $\Phi 13 * M8 * 85$	2
12	203000-0086	AT110	CHAIN 420H 86L	1
12-1	203001-0002		CHAIN JOINT 420H	1
13	901001-0022		FLANGE AXLE $\Phi 12 * 236 * M12 * 1.25M$	1
13	901001-0022-06	TT-A	FLANGE AXLE	1
14	903007-0008-02	ATV	FLANGE LOCK NUT M12*1.25	1
15	203004-0024	AY70-2	CHAIN GUIDE SLIDER $\Phi 30.5 * 43 * H38$	1
16	203004-0027	A125	CHAIN COVER	1
17	C90004-0126		FORK KIT	1
17	C90004-0215	AT110	FORK KIT	1
18	903002-0004-03	ATV	FLAT WASHER $\Phi 8 * 16 * 1.5$	2

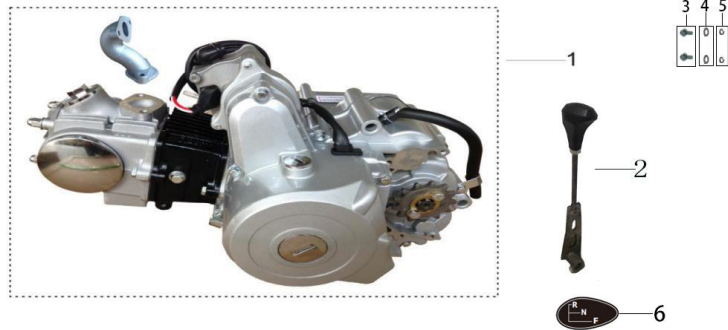
18	903002-0004-06	ATV	FLAT WASHER $\Phi 8*16*1.5$	2
19	903001-0003-02	ATV	SPRING WASHER $\Phi 8*13*2$	2
20	568000-0219		TENSIONER BRACKET	1
20	568000-0219-02		TENSIONER BRACKET	1
21	407003-0018	AT110	TENSIONER TORSION SPRING	1
22	203004-0013		CHAIN GUIDE WHEEL	1
23	903019-0002		FLANGE BOLT M6*12	1
24	903002-0001-03		FLAT WASHER $\Phi 6*12*1.5$	1
24	903002-0001-06	ATV	FLAT WASHER $\Phi 6*12*1.5$	1
25	903019-0011-03		FLANGE BOLT M8*12	1
26	903002-0005-03		FLAT WASHER $\Phi 8*28*1.5$	1

Rear Shock Assy



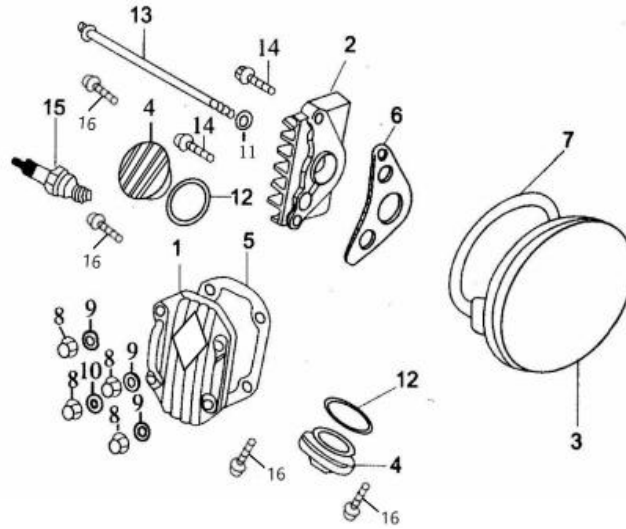
No.	Code	Model	Name	Qty
1	502000-0049	AT110/AU110	REAR SHOCK ASSY.	1
1	502000-0116		REAR SHOCK ASSY.	1
2	903018-0032-02	ATV	FLANGE BOLT M10*40*1.25	2
2	903018-0032-06	ATV	FLANGE BOLT M10*40*1.25	2
3	903007-0006-02		FLANGE LOCK NUT M10*1.25	2

Engine Assy



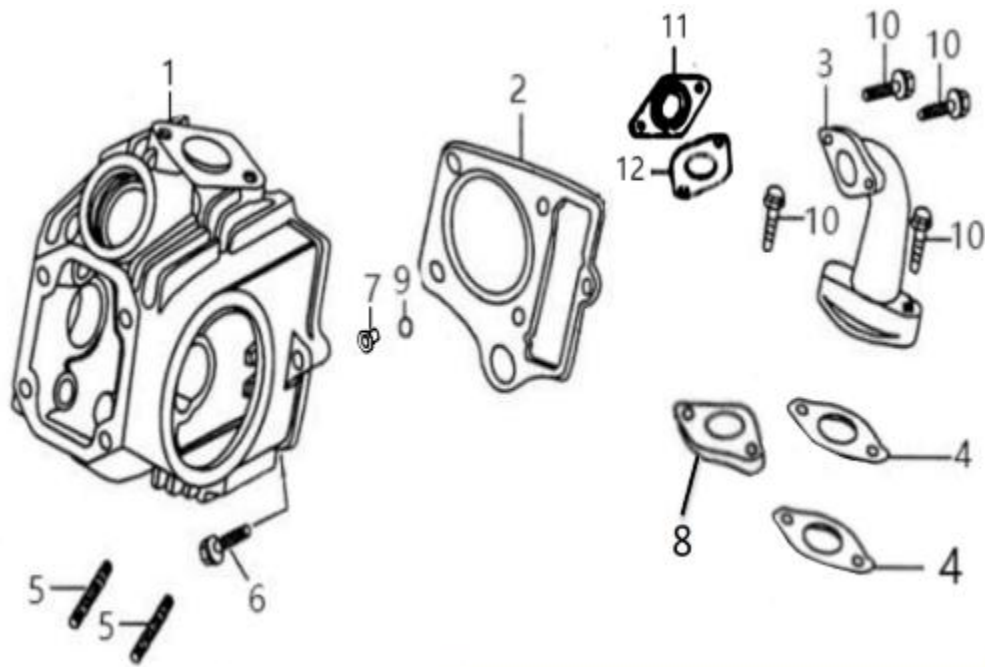
No.	Code	Model	Name	Qty.
1	I01000-0010	C125	ENGINE ASSY	1
1	101000-0602	AT125	ENGINE ASSY	1
2	201001-0002	AT110	HAND-GEAR SHIFT LEVER	1
2	201001-0009		HAND-GEAR SHIFT LEVER	1
3	903019-0013-03	ATV	FLANGE BOLT M8*20	2
3	903019-0013-06	ATV	FLANGE BOLT M8*20	2
4	903002-0004-03	ATV	FLAT WASHER $\Phi 8*16*1.5$	2
4	903002-0004-06	ATV	FLAT WASHER $\Phi 8*16*1.5$	2
5	903001-0003-02	ATV	SPRING WASHER $\Phi 8*13*2$	2
6	804019-0106		GEAR SHIFT MOLDED LABEL	1

Cylinder Head Cover



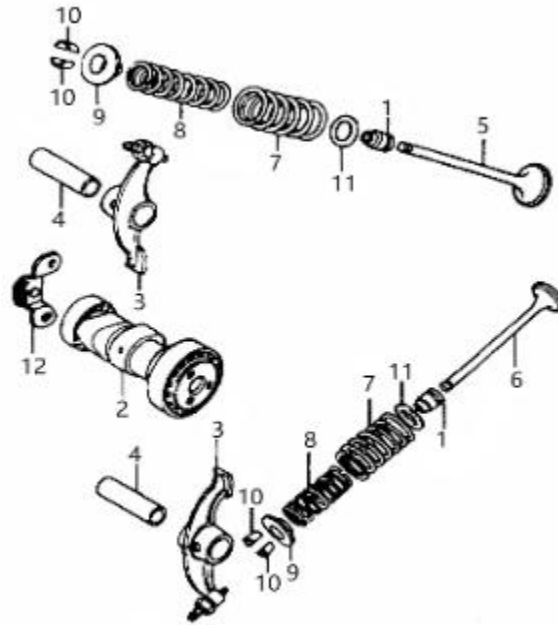
NO.	CODE	NAME	QTY.
1	I01020-0080	CYLINDER HEAD COVER	1
2	I01020-0090	CYLINDER HEAD RIGHT COVER	1
3	I01020-0100	CYLINDER HEAD LEFT COVER	1
4	I01020-0110	VALVE COVER	2
5	I01020-0120	CYLINDER HEAD COVER GASKET	1
6	H01020-0130	CYLINDER HEAD RIGHT COVER GASKET	1
7	I01020-0140	CYLINDER HEAD LEFT COVER GASKET	1
8	A00145-0701-24	CAP TYPE NUT	4
9	A00160-0701	IRON WASHER	3
10	A00160-0702	COPPER WASHER	1
11	A00160-0604	BOLT	1
12	A00280-3001	O-SEAL RING	2
13	A00103-0601-25	BOLT	1
14	A00103-0606-24	BOLT	2
15	H01020-0060	SPARK PLUG	1
16	A00103-0602-24	BOLT	4

Cylinder Head



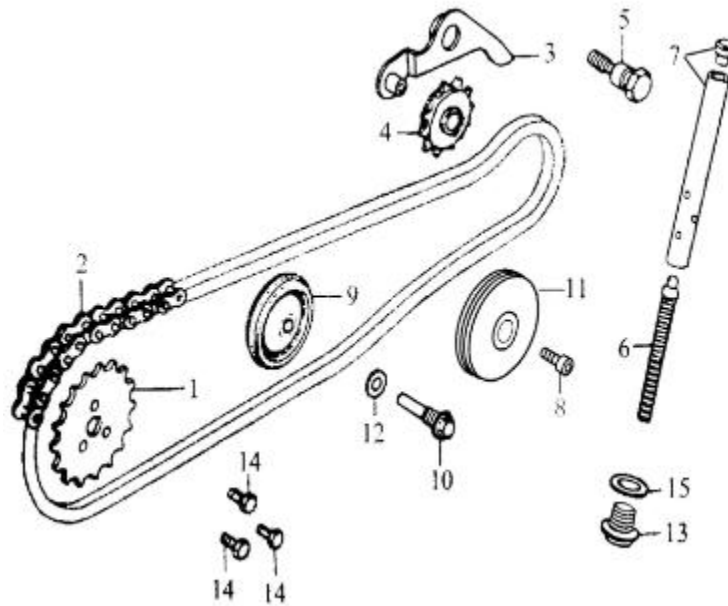
NO.	CODE	NAME	QTY.
1	I01021-0010	CYLINDER HEAD COMPONENT	1
2	I01020-0150	CYLINDER HEAD GASKET	1
3	H01080-0020	INTAKE PIPE	1
4	H01080-0040	GASKET,INTAKE PIPE	2
5	A00108-0601-25	DOUBLE SCREW BOLTS	2
6	A00128-0601-25	CONNECTING BOLT	1
7	H01020-0070	FLANGING COLLAR	1
8	H01080-0030	BAKELITE GASKET, CARBURETOR	1
9	H01020-0180	SQURE RING	1
10	A00103-0607-24	BOLT	4
11	I01080-0060	ADIABATIC PAD	1
12	I01080-0050	CARBURETOR SEALING GASKET	1

Camshaft & Valves



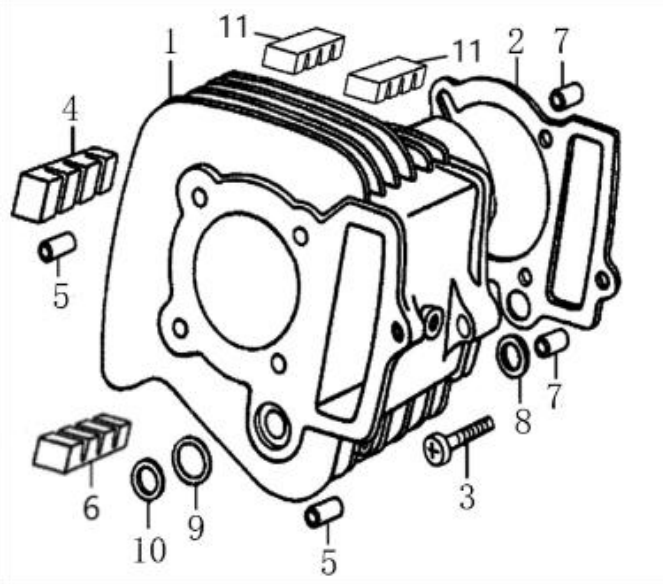
NO.	CODE	NAME	QTY.
1	H01021-0020	OIL SEAL, VALVE STEM ASSEMBLY	2
2	I01021-0030	CAMSHAFT COMPONENT	1
3	H01021-0040	VALVE ROCKER ARM COMPONENT	2
4	H01021-0050	ROCKSHAFT	2
5	I01021-0060	INTAKE VALVE	1
6	I01021-0070	EXHAUST VALVE	1
7	H01021-0080	VALVE OUTER SPRING	2
8	H01021-0090	VALVE INNER SPRING	2
9	H01021-0100	VALVE INNER AND OUTER SPRING SEAT	2
10	H01021-0110	VALVE CLIPER	4
11	H01021-0120	VALVE OUTER SPRING SEAT	2
12	I01021-0130	LIMIT PLATE COMPONENT	1

Tentioner



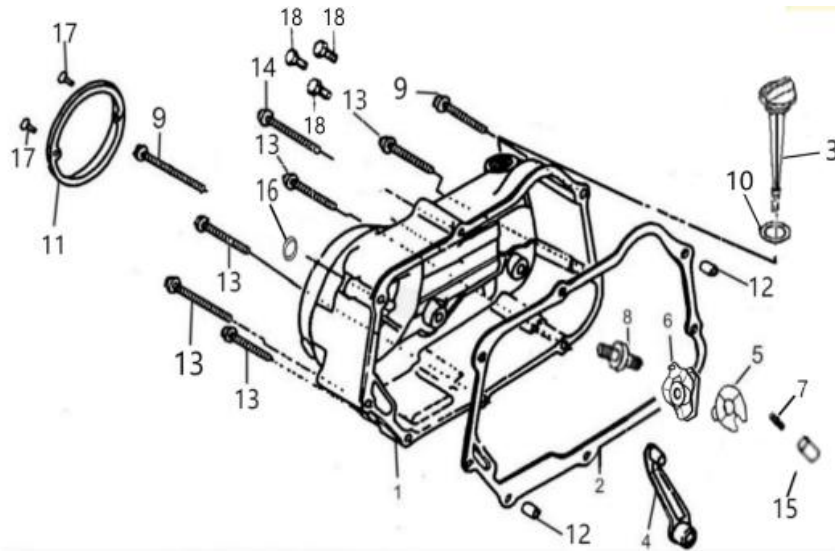
NO.	CODE	NAME	QTY.
1	H01023-0010	TIMING DRIVEN SPROCKET	1
2	H01023-0020	TIMING CHAIN	1
3	H01023-0030	TENSIONING ARM	1
4	H01023-0040	TENSIONING ROLLER	1
5	H01023-0050	MANDREL, TENSIONING ARM	1
6	H01023-0060	SPRING	1
7	H01023-0070	TENSIONING BAR	1
8	I01023-0120	MANDREL, CHAIN TENSIONING ROLLER II	1
9	H01023-0090-01	CHAIN GUIDE ROLLER ASSEMBLY	1
10	H01023-0100	PIN SHAFT, CHAIN GUIDE ROLLER	1
11	I01023-0110	CHAIN TENSIONING ROLLER II	1
12	A00160-0802	ALUMINUM WASHER	1
13	H01023-0130	SEAL SOCKET PLUG	1
14	A00100-0501-65	HEXAGON HEAD BOLT (FULL-THREAD)	3
15	A00160-1402	ALUMINUM WASHER	1

Cylinder



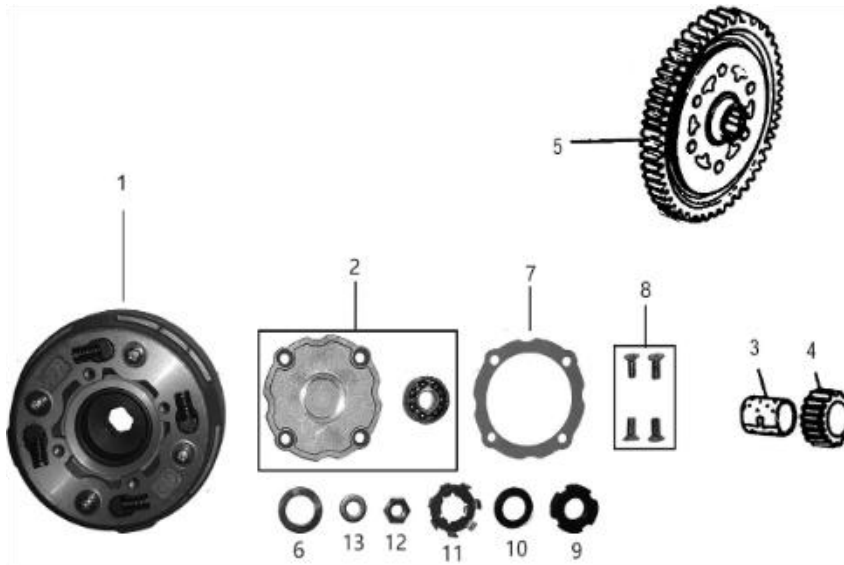
NO.	CODE	NAME	QTY.
1	I01020-0020	CYLINDER	1
2	I01020-0030	CYLINDER GASKET	1
3	A00128-0601-25	CONNECTING BOLT	1
4	H01020-0040	CYLINDER DAMPING RUBBER B	1
5	A00206-0802	DOWEL PIN	2
6	H01020-0050	CYLINDER DAMPING RUBBER A	1
7	A00206-0803	DOWEL PIN	2
8	H01020-0160	SQUIRE RING	1
9	H01020-0170	SQUIRE RING	1
10	A00181-1101	SQUIRE IRON RING	1
11	H01020-0210	CYLINDER DAMPING RUBBER C	2

Right Crank Case Cover



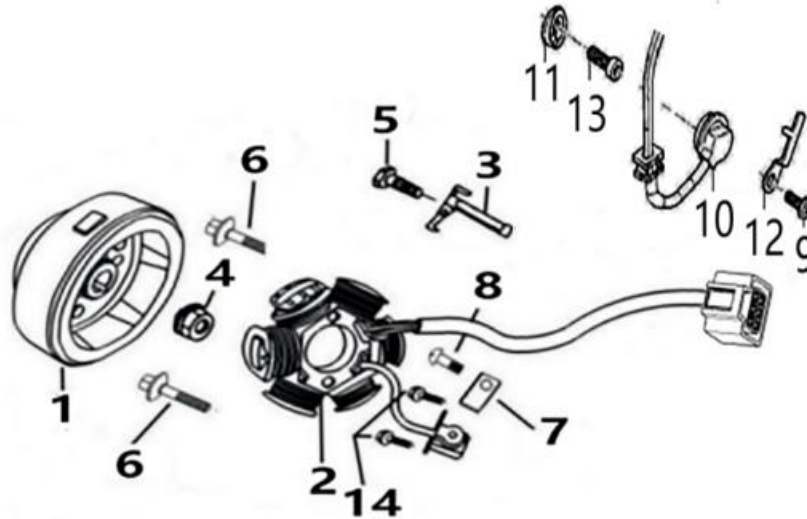
NO.	CODE	NAME	QTY.
1	H01010-0040	RIGHT CRANKCASE COVER	1
2	H01010-0110	RIGHT CRANKCASE COVER GASKET	1
3	H01010-0131	DIPSTICK	1
4	H01050-0030	MANIPULATOR ARM	1
5	H01051-0021	CAM DISC, CLUTCH	1
6	H01051-0041	CLUTCH TAPPET ASSEMBLY	1
7	A00440-0601	OIL PIPE SPRING	1
8	H01051-0031	ADJUSTING BOLT, CLUTCH	1
9	A00103-0617-24	BOLT	2
10	A00280-1801	O-SEAL RING	1
11	H01010-0060	O-SEAL RING	1
12	A00206-0803	DOWEL PIN	2
13	A00103-0609-24	BOLT	5
14	A00103-0614-24	BOLT	1
15	H01051-0060	OIL PIPE	1
16	A00160-0803	GROMMET	1
17	A00124-0601-24	COUNTERSUNK RAISED HEAD SCREWS WITH CROSS RECESS	2
18	A00103-0611-24	BOLT	3

Clutch



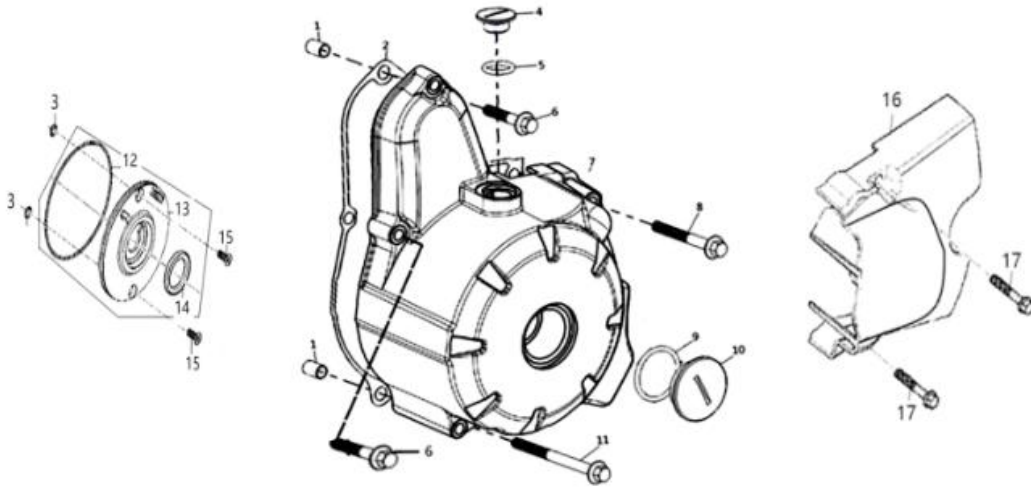
No.	Code	Name	Qty.
1	H01050-0010	CLUTCH BODY	1
2	H01050-0060	CLUTCH ACCESSORY ASSEMBLY	1
3	H01050-0040	DRIVING GEAR SHAFT SLEEVE	1
4	H01050-0050	DRIVING GEAR	1
5	H01050-0020	DRIVEN GEAR	1
6	I01051-0050	RETAINING RING, DRIVEN GEAR	1
7	H01050-0070	END COVER SEALING GASKET	1
8	A00126-0501-24	SCREW	4
9	A00159-1401	NUT	1
10	A00164-1401	BUTTERFLY WASHER	1
11	A00163-1401	BACKSTOP WASHER	1
12	A00140-0801-24	NUT	1
13	A00280-0703	O-RINGS	1

Magnetic Motor



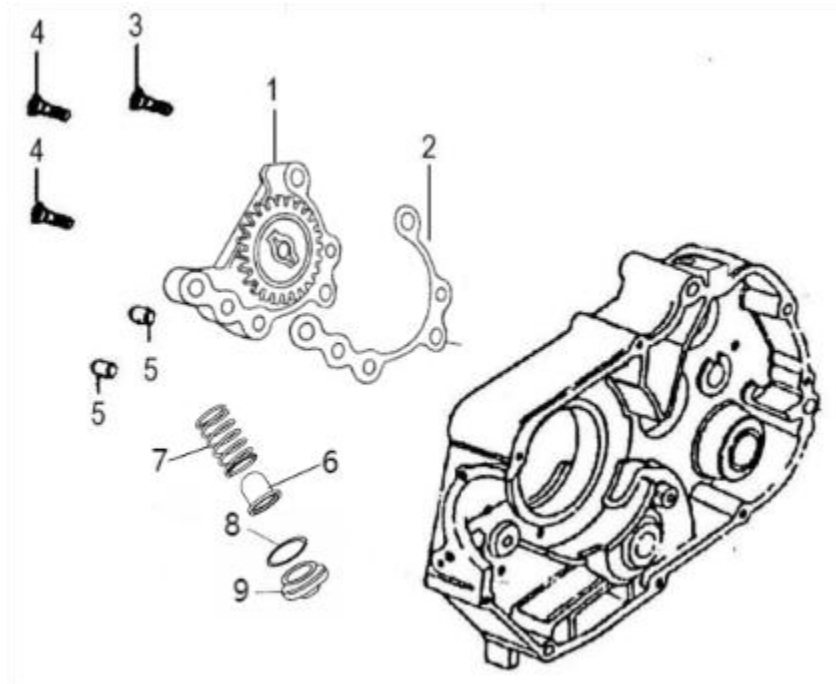
No.	Code	Name	Qty.
1	H01070-0010	ROTOR,MAGNETO	1
2	H01070-0020	WIRE CLAMP	1
3	H01070-0040	CLAMP	1
4	A00159-1002-23	LOCK NUT	1
5	A00103-0602-24	BOLT	1
6	A00103-0605-24	BOLT	2
7	H01070-0050	WIRE CLAMP	1
8	A00124-0501-24	SCREW	1
9	A00103-0601-24	BOLT	1
10	H01090-0030	RUBBER PLUG	1
11	H01090-0040	WASHER, GEARSHIFT DRUM	1
12	H01090-0060	BAFFLE, VALVE CAMSHAFT	1
13	A00106-0601-65	SCREW, HEXAGON SOCKET HEAD	1
14	A00100-0501-24	HEXAGON HEADED BOLT	2

Left Crank Case Cover



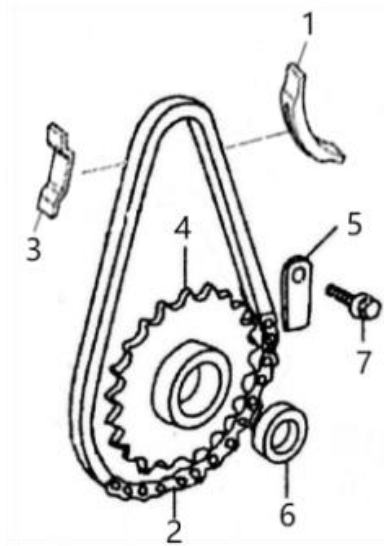
No.	Code	Name	Qty.
1	A00206-0803	DOWEL PIN,Φ8×12×Φ7	2
2	H01010-0120	GASKET L.CRANKCASE COVER	1
3	A00280-0702	O-RING,Φ6.8×1.9	2
4	H01010-0090	CAP SMALL VIEW HOLE	1
5	A00280-1401	O-RING,Φ13.8×2.5	1
6	A00103-0608-24	BOLT, M6×32	2
7	H01010-0030	FRONT PART,L.CRANKCASE COVER	1
8	A00103-0610-24	BOLT, M6×50	1
9	A00280-2801	O-RING,Φ27.4×2.4	1
10	H01010-0080	CAP BIG VIEW HOLE	1
11	A00103-0614-24	BOLT, M6×70	1
12	A00280-0701	O-RING,Φ107×2	1
13	H01010-0070	DISK INSULATOR	1
14	A00283-3001	OIL SEAL 30×42×4.5	1
15	A00126-0601-24	SCREW, M6×16	2
16	H01010-0050	LEFT REAR COVER	1
17	A00103-0607-24	BOLT, M6×28	2

Oil Pump



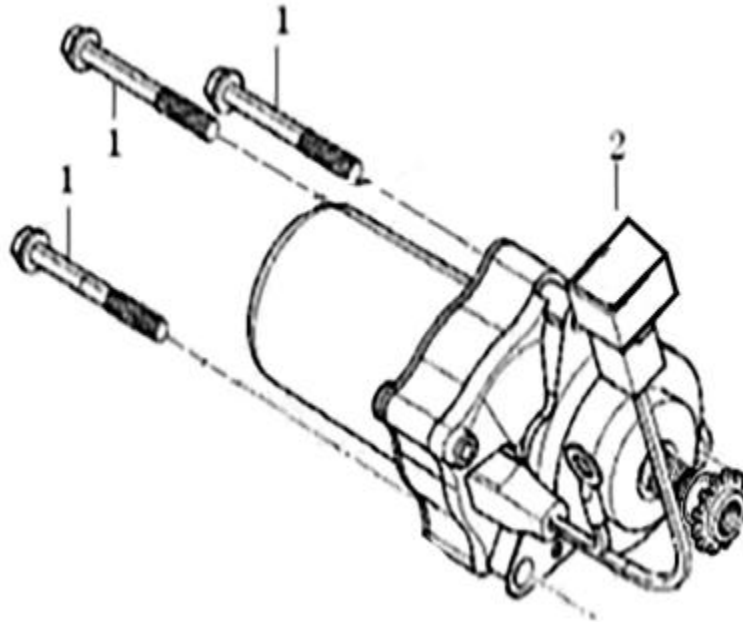
No.	Code	Name	Qty.
1	I01100-0010	OIL PUMP ASSEMBLY	1
2	I01100-0020	GASKET,OIL PUMP	1
3	A00126-0602-24	CROSS RECESSED COUNTERSUNK HEAD SCREW	1
4	A00126-0603-24	CROSS RECESSED COUNTERSUNK HEAD SCREW	2
5	A00206-0803	DOWEL PIN	2
6	I01100-0030	GAUZE COMP.	1
7	I01100-0050	SPRING	1
8	A00280-3001	O-SEAL RING	1
9	H01020-0110	VALVE COVER	1

Starting Clutch



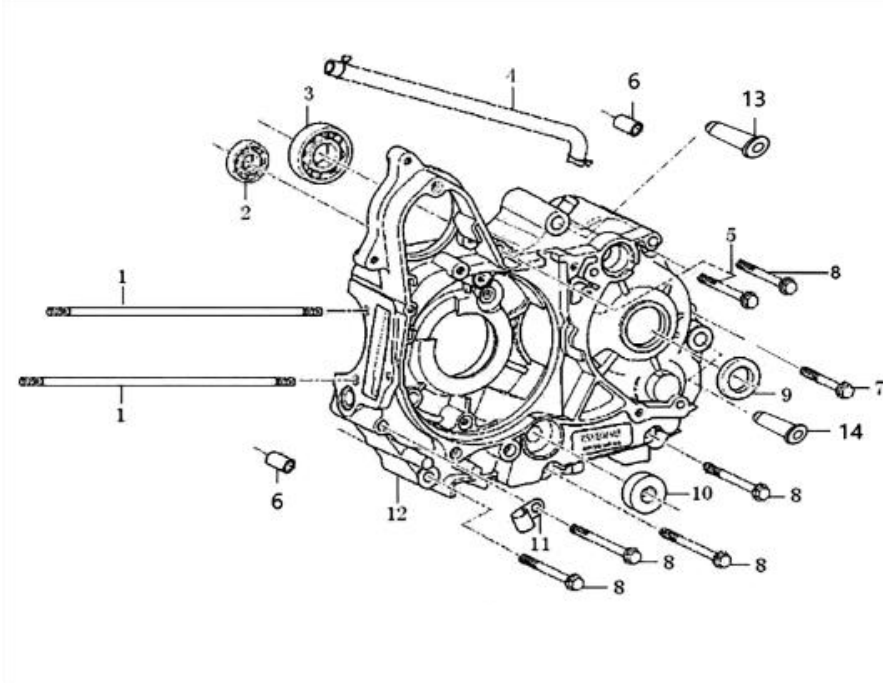
No.	Code	Name	Qty.
1	H0106D-0040	STARTER CHAIN GUIDE	1
2	H0106D-0020	STARTING CHAIN	1
3	H0106D-0050	GUIDE PLATE, CHAIN	1
4	H0106D-0030	STARTING SPROCKET COMPONENT	1
5	H0106D-0060	CLAMP PLATE OF STARTING SPROCKET	1
6	A00283-1901	OIL SEAL	1
7	A00100-0604-24	HEXAGON HEAD BOLT (FULL-THREAD)	1

Starting Motor



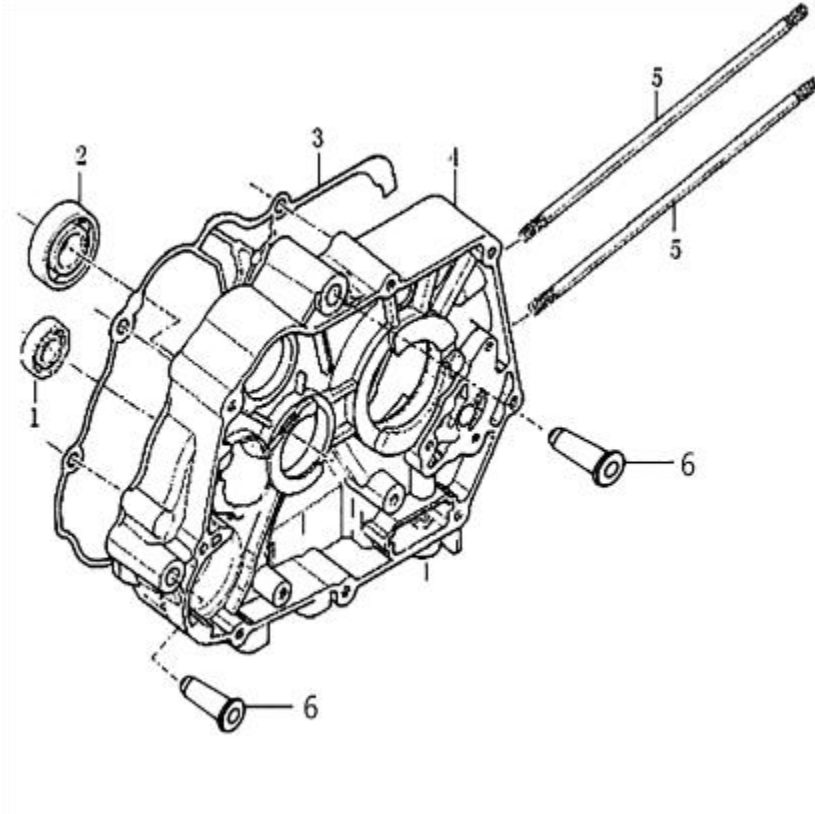
No.	Code	Name	Qty.
1	A00103-0610-24	BOLT	3
2	H0106D-0010	STARTING MOTOR	1

Left Crankcase



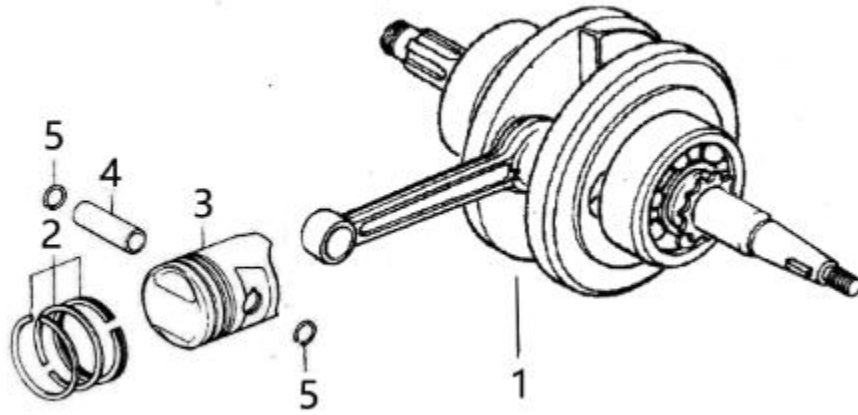
No.	Code	Name	Qty.
1	A00108-0702-86	CYLINDER STUD BOLT A	2
2	A00260-1201	BEARING, 6001	1
3	A00260-1703	BEARING, 6203	1
4	A00343-0701	PIPE ASSY	1
5	A00103-0616-24	BOLT, M6×55	1
6	A00206-1001	PIN, Φ10×14	2
7	A00103-0614-24	BOLT, M6×70	1
8	A00103-0613-24	BOLT, M6×65	5
9	A00283-1702	OIL SEAL 17×29×5	1
10	A00283-1201	OIL SEAL 11.6×24×10	1
11	H01010-0140	CLIP OVERFLOW PIPE	1
12	I01010-0010	LEFT CRANKCASE BLOCK	1
13	H01020-0200	ABSORBER SLEEVE	1
14	H01020-0190	ABSORBER SLEEVE	1

Right Crankcase



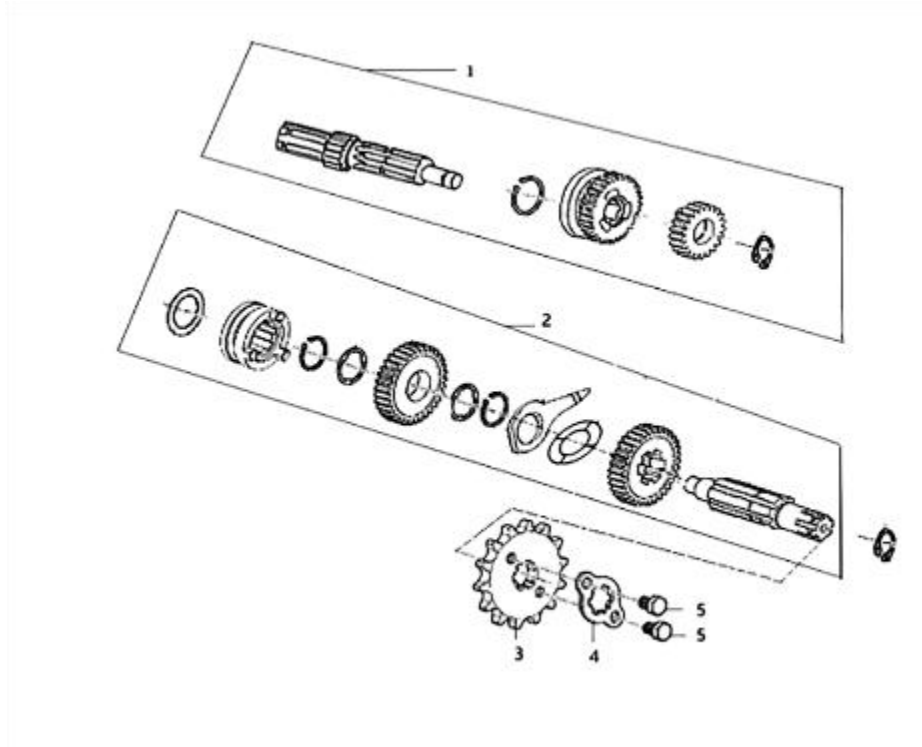
No.	Code	Name	Qty.
1	A00260-1202	BEARING,(6201)	1
2	A00260-1702	BEARING, 6203	1
3	I01010-0100	GASKET CRANKCASE	1
4	I01010-0020	RIGHT CRANKCASE BLOCK	1
5	A00108-0701-86	CYLINDER STUD BOLT B	2
6	H01020-0190	ABSORBER SLEEVE	2

Crankshaft Piston



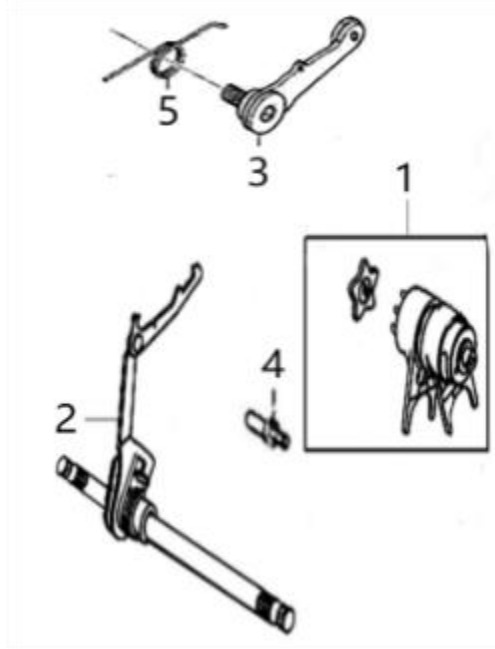
No.	Code	Name	Qty.
1	I01031-0010	CRANK CONNECTING ROD ASSEMBLY	1
2	I01032-0010-01	PISTON RING SETS	1
3	I01030-0030	PISTON	1
4	I01030-0040	PIN, PISTON	1
5	I01030-0050	C-SHAPED RETAINING RING , PISTON PIN	2

Transmission



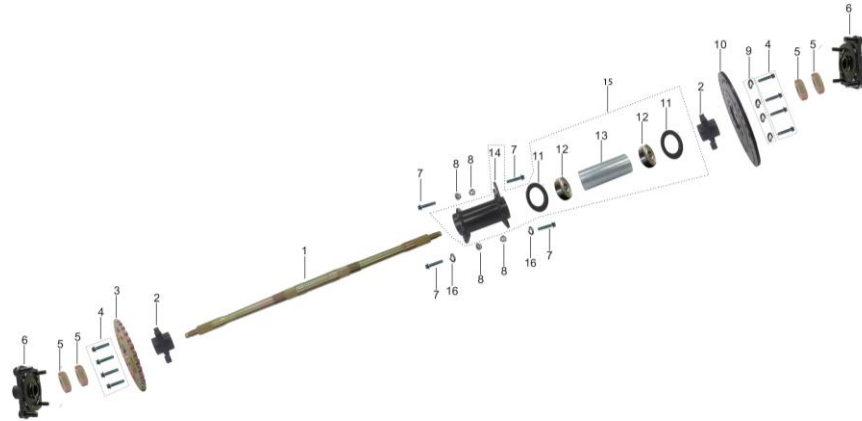
No.	Code	Name	Qty.
1	H01040-0011	MAIN SHAFT TRANSMISSION	1
2	H01040-0021	COUNTERSHAFT TRANSMISSION	1
3	H01040-0060	DRIVE SPROCKET	1
4	H01040-0070	FIXING PLATE DRIVE SPROCKET	1
5	A00100-0601-25	BOLT, M6×8	2
6	H01040-0050	IDLER SETUP	1
7	H01040-0080	AXLE SLEEVE	1
8	A00206-0803	PIN, Ø8×12	2
9	H01040-0030	FIXING PLATE	1
10	A00100-0603-24	BOLT, M6×22	2
11	H01040-0040	REVERSE SHAFT	1

Kick-Starter



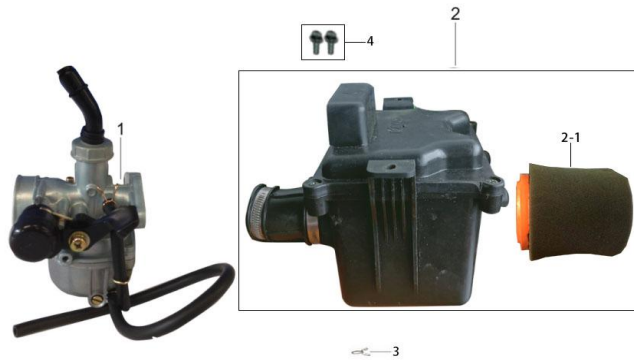
No.	Code	Name	Qty.
1	H01090-0010	GEARSHIFT DRUM COMP	1
2	H01090-0020	GEARSHIFT LEVER COMP	1
3	H01090-0050	LOCATING PLATE ASSY	1
4	H01090-0080	BOLT RETURN SPRINGN FIXING,M8X34	1
5	H01090-0070	SPRING, LOCATING PLATE	1

Rear Axle Assy



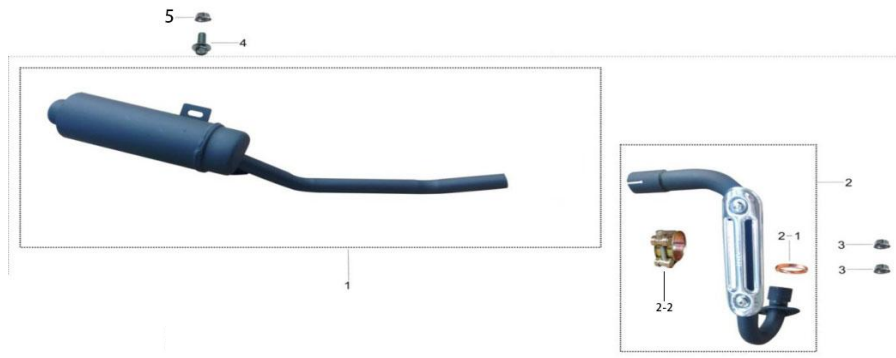
No.	Code	Model	Name	Qty.
1	505001-0011	AT110	REAR WHEEL AXLE	1
2	205003-0004	AY70	CHAIN PULLEY SEAT	2
3	205001-0004	AY70	REAR SPROCKET	1
4	903019-0012-03	ATV	FLANGE BOLT M8*16	8
4	903019-0012-06	ATV	FLANGE BOLT M8*16	8
5	903008-0016	ATV	NUT M27*1.5*H10	4
6	402003-0021	AT110	REAR HUB	2
7	903019-0025-02	ATV	FLANGE BOLT M12*30*1.25	4
8	903007-0008-02	ATV	FLANGE LOCK NUT M12*1.25	4
9	903001-0003-02	ATV	SPRING WASHER Φ 8*13*2	4
10	405001-0012	AT110	REAR BRAKE DISC	1
11	908001-0010	ATV	OIL SEAL 55*35*8	2
12	907001-0010	ATV	BEARING 6006RS	2
13	901003-0009	AY70	INNER LINING PIPE Φ 31*35*L88	1
14	564000-0002	AT110	REAR AXLE	1
15	C90004-0025		REAR AXLE ASSY	1
16	903001-0006-02	ATV	SPRING WASHER Φ 12*20*3	2

Carburetor Assy



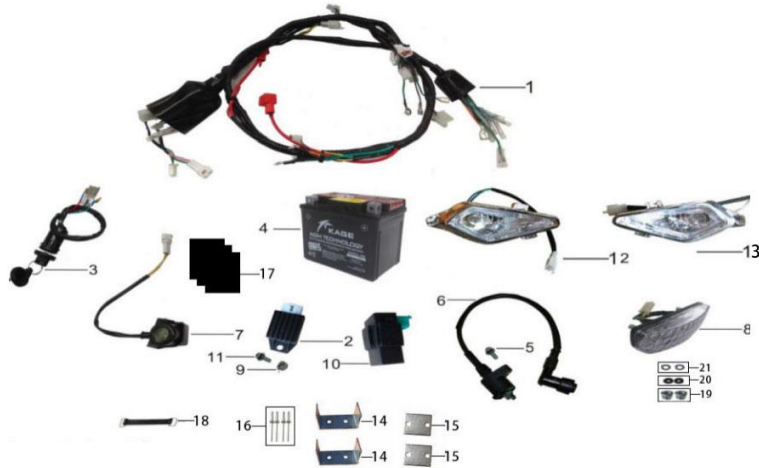
No.	Code	Model	Name	Qty.
1	102000-0085	AU125	CARBURETOR	1
1	102000-0008-02	AT125	CARBURETOR	1
2	105000-0028-02		AIR FILTER	1
2	105000-0028-03		AIR FILTER	1
2-1	105002-0016	AT110	FILTER ELEMENT	1
3	906002-0009	ATV	CLAMP Φ 12	1
4	903019-0003-02	ATV	FLANGE BOLT M6*16	2

Muffler Assy



No.	Code	Manual	Name	Qty.
1	106002-0028	AT110	MUFFLER	1
1	106002-0028-02		MUFFLER	1
2	106001-0078	AT110	MUFFLER PIPE	1
2	106001-0078-03		MUFFLER PIPE	1
2-1	106003-0002		GASKET	1
2-2	106004-0001		MUFFLER HOOP 36-39	1
3	903007-0002-03	ATV	FLANGE LOCK NUT M6	2
4	903019-0013-03	ATV	FLANGE BOLT M8*20	1
4	903019-0013-06	ATV	FLANGE BOLT M8*20	1
5	903007-0005		FLANGE LOCK NUT M8	1

Electronic Assy



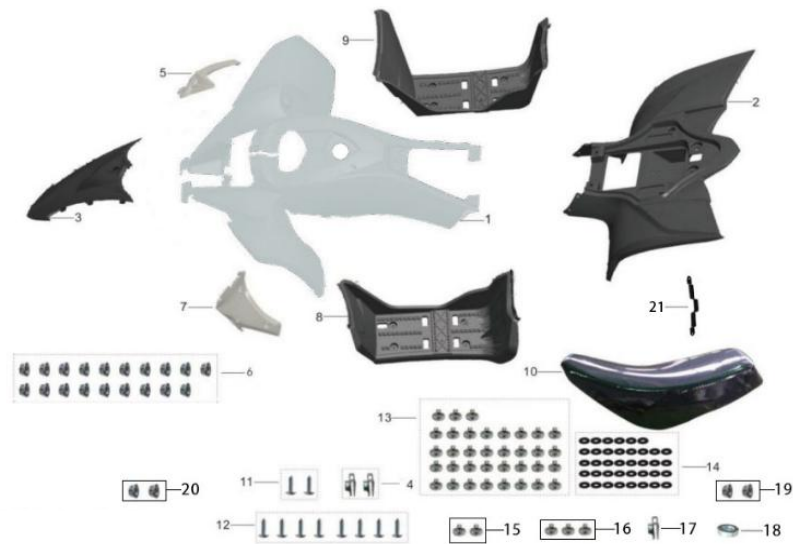
No.	Code	Model	Name	Qty.
1	309001-0138-02		MAIN CABLE	1
2	302001-0007-02	AY70-2	STABILIZED RECTIFIER	1
3	314001-0003-04		ELECTRIC LOCK	1
4	312001-0040	AT110	BATTERY MF12V5-1A 12V5AH 113*70*104	1
5	903018-0005-03	ATV	FLANGE BOLT M6*20	1
5	903018-0005-06	ATV	FLANGE BOLT M6*20	1
6	306001-0012-02	AY70-2	IGNITION COIL	1
7	301001-0001	A250	RELAY	1
8	308002-0005-02		REAR LIGHT	1
9	903007-0002-03	ATV	FLANGE LOCK NUT M6	1
10	303001-0007-03	ATV	CDI	1
11	903018-0003-03	ATV	FLANGE BOLT M6*12	1
11	903018-0003-06	ATV	FLANGE BOLT M6*12	1
12	308001-0025-04		RIGHT FRONT LIGHT LED	1
13	308001-0024-04		LEFT FRONT LIGHT LED	1
14	315003-0001	A125	CDI BRACKET A125	2
15	315003-0004	A250	CDI SUPPORT PLATE 27.5*21*1.5	2
16	905001-0003		BLIND RIVET	4
17	909010-0008	TT-A	EVA 82*65*4	3
18	908007-0021	TS	BATTERY GUARD TAPE 110MM DB70	1
19	903006-0001-03	ATV	FLANGE NUT M5	2
20	908003-0002		RUBBER WASHER Φ 5.5*14.5*2	2
21	903002-0002-03	ATV	SPRING WASHER Φ 6*18*1.5	2
21	903002-0002-06	ATV	SPRING WASHER Φ 6*18*1.5	2

Fuel Tank Assy



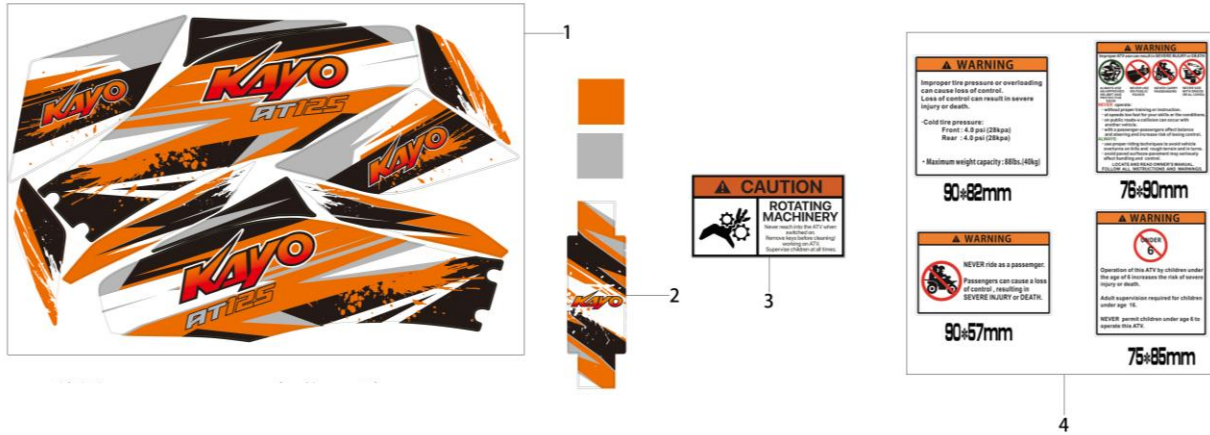
No.	Code	Model	Name	Qty.
1	805002-0011	AT110	FUEL TANK	1
1-1	805003-0011	AY70	FUEL TANK CAP	1
2	805005-0001-07		BREATHER VALVE	1
3	103003-0001	TD	OIL COOLER BUSH $\Phi 6.5*9*10+\Phi 20*2$	2
4	903019-0006-02	ATV	BOLT M6*25	2
5	903002-0002-03	ATV	SPRING WASHER $\Phi 6*18*1.5$	1
5	903002-0002-06	ATV	SPRING WASHER $\Phi 6*18*1.5$	1
6	906002-0001		CLIP $\Phi 7.5$	6
7	108001-0002	T4	FUEL FILTER	1
8	909010-0021	AT110	HEAT INSULATION FILM 170*273*2MM	1
9	906002-0003		CLIP $\Phi 8.2$	1
10	906002-0004		CLIP $\Phi 8.5$	1
11	903013-0006-03	ATV	SCREW M6*16	1
11	903013-0006-06	ATV	SCREW M6*16	1
12	903006-0002-03	ATV	FLANGE NUT M6	1
13	805004-0007		PETCOCK	1
13	805004-0007-02		PETCOCK	2
14	903020-0003-03		HEX FLANGE STEP BOLT	2
15	903002-0004-03		FLAT WASHER $\Phi 8*16*1.5$	2
15	903002-0004-06	ATV	FLAT WASHER $\Phi 8*16*1.5$	

Plastic Assy



No.	Code	Model	Name	Qty.
1	803002-0012	AT110	FRONT COVER	1
2	803002-0013	AT110	REAR COVER	1
3	803002-0016	AT110	HEAD COVER	1
4	903008-0018	ATV	NUT	2
5	803002-0015	AT110	RIGHT PLASTIC	1
6	903006-0002-03	ATV	FLANGE NUT M6	19
7	803002-0014	AT110	LEFT COVER/WHITE	1
8	803002-0017	AT110	LEFT FOOTPEG/BLACK	1
9	803002-0018	AT110	RIGHT FOOTPEG/BLACK	1
10	701000-0036-02	AT110	SEAT/BLACK	1
11	903010-0005-03	ATV	SCREW ST4.2*16	2
11	903010-0005-06	ATV	SCREW ST4.2*16	2
12	903010-0004-03	ATV	SCREW ST4.2*12	8
12	903010-0004-06	ATV	SCREW ST4.2*12	8
13	903020-0055	ATV	SCREW M6*16	35
14	908003-0002		RUBBER WASHER $\Phi 5.5 \times 14.5 \times 2$	38
15	903012-0003-03	ATV	SCREW TM5*16	2
16	903020-0056	ATV	SCREW M6*20	3
17	903008-0020-03	ATV	CLIP NUT M6 20*16*1.0	1
18	902001-0119	AT110	BUSH $\Phi 6.2 \times 8.2 \times H5$	1
19	903006-0001-03	ATV	FLANGE NUT M5	2
20	903007-0002-03	ATV	FLANGE LOCK NUT M6	2
21	568000-0068	AT110	SEAT FRONT LIMIT BRACKET 188*20*22.5	1

Sticker



No.	Code	Model	Name	Qty.
1	804002-0065	AT110	STICKER	1
1	804002-0065-02		STICKER	1
2	804002-0062	AT110	PAD COVER	1
3	804019-0078	eA110	WARNING STICKER	1
4	804019-0006		WARNING STICKER	1