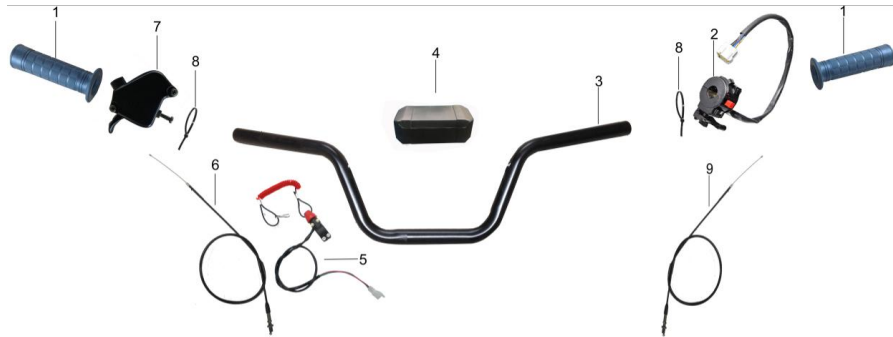


# AT110 PARTS CATALOG

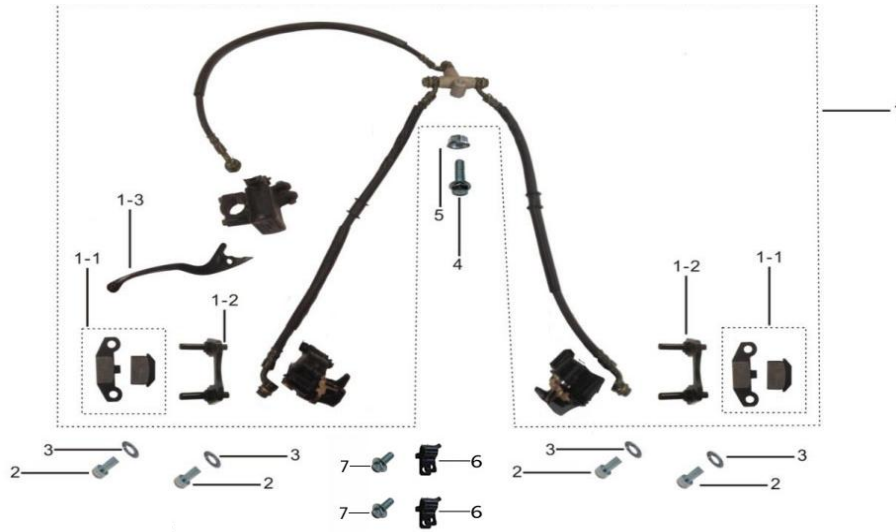


## Handlebar Assy



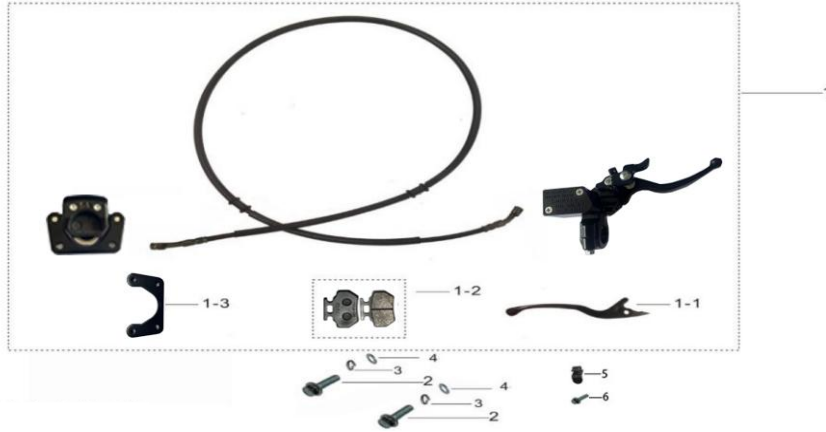
No.	Code	Model	Name	Qty.
1	602006-0015	AU150	GRIP	2
1	602006-0026		GRIP	2
2	313001-0008	AY70-2	MULTI-FUNCTIONAL SWITCH	1
3	602001-0019	AT110	HANDLEBAR	1
4	602017-0006-02	KMB	PADDING	1
5	313003-0011	AT110	STOP SWITCH	1
5	313003-0011-02	TS	STOP SWITCH	1
6	602014-0002	A125	THROTTLE CABLE	1
6	602014-0036	AY70	THROTTLE CABLE	1
7	602011-0008-02	AY70/US07	ACCELERATOR	1
7	602011-0013		ACCELERATOR	1
8	906003-0002		PLASTIC BELT	2
9	602015-0003	AY70	CHOKE CABLE	1

## Front Brake Assy



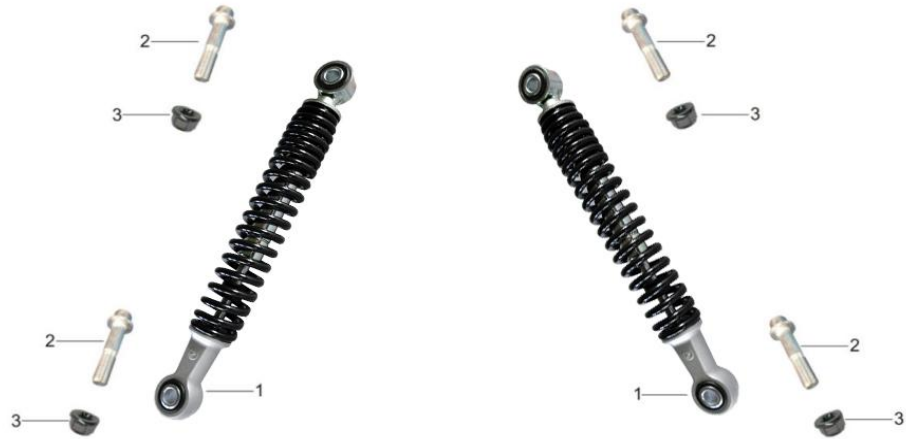
No.	Code	Model	Name	Qty.
1	404000-0147	AT110	FRONT BRAKE ASSY	1
1	404000-0147-02		FRONT BRAKE ASSY L=460+440*2	1
1	404000-0147-03	AT125	FRONT BRAKE ASSY L=460+420*2	1
1-1	404007-0011	AT110	FRONT BRAKE PAD	2
1-2	404008-0011	AT110	FRONT BRAKE BRACKET	2
1-3	404002-0016	AY110	RIGHT BRAKE LEVER	1
2	903019-0012-02	ATV	FLANGE BOLT M8*16	4
2	903019-0012-06	ATV	FLANGE BOLT M8*16	4
3	903002-0004-02		FLAT WASHER $\Phi 8*16*1.5$	4
4	903018-0011		FLANGE BOLT M8*35	1
4	903018-0011-06	ATV	FLANGE BOLT M8*35	1
5	903007-0004-02	ATV	FLANGE LOCK NUT M8	1
5	903007-0005		FLANGE LOCK NUT M8	1
6	405010-0002	TD	REAR BRAKE OIL PIPE CLAMP	2
7	903018-0003-02	ATV	FLANGE BOLT M6*12	2
7	903018-0003-03	ATV	FLANGE BOLT M6*12	2

## Rear Brake Assy



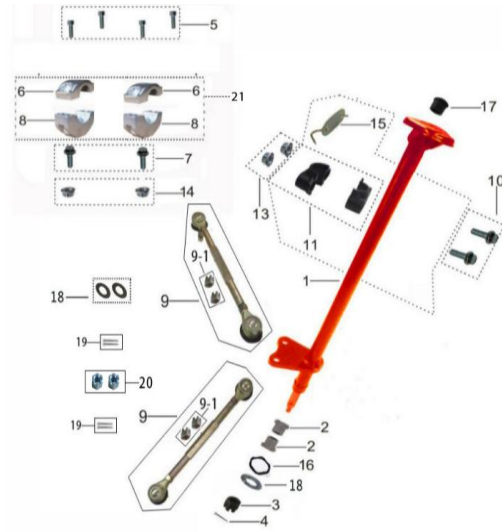
No.	Code	Model	Name	Qty.
1	405000-0079	AT110	REAR BRAKE	1
1	405000-0123		REAR BRAKE ASSY L=1320	1
1	405000-0123-02		REAR BRAKE ASSY L=1320	1
1-1	404002-0015	AY110	LEFT BRAKE LEVER	1
1-2	405008-0007	AT110	REAR BRAKE PAD	1
1-3	405009-0019	AU110	REAR BRAKE BRACKET	1
2	903019-0014-02	ATV	FLANGE BOLT M8*25	2
2	903019-0014-03	ATV	FLANGE BOLT M8*25	2
3	903001-0003		SPRING WASHER $\Phi 8*13*2$	2
3	903001-0003-02	ATV	SPRING WASHER $\Phi 8*13*2$	2
4	903002-0004-02		FLAT WASHER $\Phi 8*16*1.5$	2
4	903002-0004-06	ATV	FLAT WASHER $\Phi 8*16*1.5$	2
5	405010-0001	TD	REAR BRAKE OIL PIPE CLAMP $\Phi 10$	1
6	903019-0003		FLANGE BOLT M6*16	1
6	903019-0003-02	ATV	FLANGE BOLT M6*16	1

## Front Shock Assy



No.	Code	Model	Name	Qty.
1	501000-0094	AT110/AU110	FRONT FORK	2
1	501000-0164		FRONT FORK	2
2	903018-0032		FLANGE BOLT M10*40*1.25	4
2	903018-0032-06	ATV	FLANGE BOLT M10*40*1.25	4
3	903007-0006		FLANGE LOCK NUT M10*1.25	4
3	903007-0006-02		FLANGE LOCK NUT M10*1.25	4

## Steering Column Assy



No.	Code	Model	Name	Qty.
1	566000-0013-02	AT110	FRONT STEERING	1
1	566000-0036-01		FRONT STEERING	1
2	902002-0031	ATV	BUSHING 'Φ15*29*H20+Φ21+H17	2
3	903008-0009	ATV	SLOTTED NUT M10*1.25	1
3	903008-0009-02	ATV	SLOTTED NUT M10*1.25	1
4	904002-0004-02	ATV	COTTER PIN 3*20	1
4	904002-0004-03	ATV	COTTER PIN 3*20	1
4	904002-0003-04			1
5	903013-0020-02	ATV	SCREW M8*35	4
5	903013-0022-02		SCREW M8*35	4
5	903013-0022-06	ATV	SCREW M8*35	4
6	601003-0003	SR70	UPPER RAISER	2
6	601003-0023		UPPER RAISER	2
7	903017-0011	ATV	FLANGE BOLT M10*30*1.5 S14	2
7	903017-0011-02	ATV	FLANGE BOLT M10*30*1.5 S14	2
8	601004-0004	SR70	LOWER RAISER	2
8	601004-0028		LOWER RAISER	2
9	603001-0006	AT110	STEERING LINKAGE ASSY L=170 M10*1.25*22+M10*1.25*26	2
9-1	603005-0009		NUT M10*1.25*H9	4
10	903018-0015	ATV	FLANGE BOLT M8*55	2
10	903018-0015-03	ATV	FLANGE BOLT M8*55	2
11	902001-0020	AY70	BUSH	2
12	601003-0013	AY70	STEERING COLUMN RAISER	2

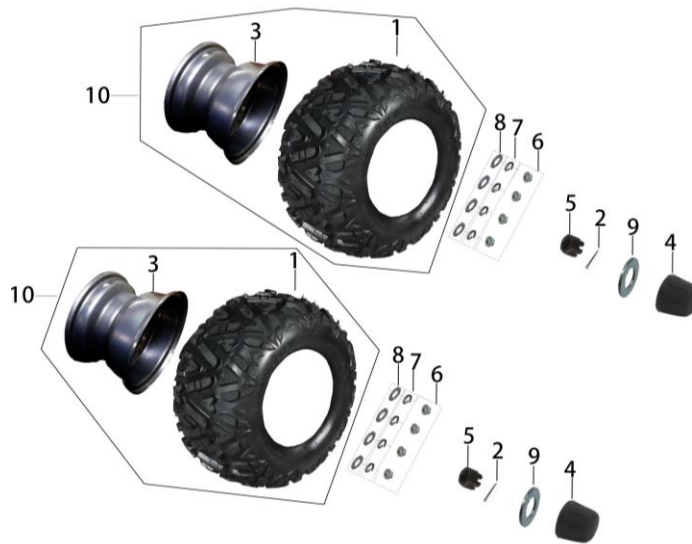
12	603004-0003	AY70	STEERING RAISER H20.5*39.5	2
13	903007-0004-02	ATV	FLANGE LOCK NUT M8	2
14	903007-0007		FLANGE LOCK NUT M10*1.5	2
14	903007-0007-03		FLANGE LOCK NUT M10*1.5	1
15	568000-0001	AY70	CLIP	1
15	568000-0001	AY70	CLIP	1
15	568000-0001-02		CLIP	1
15	568000-0001-03		CLIP	1
16	903003-0003	ATV	WASHER $\Phi$ 15*21	1
17	908004-0003	AY70	PLUG $\Phi$ 10* $\Phi$ 15*14	1
18	903002-0008-02	ATV	WASHER $\Phi$ 10*20*2	3
18	903002-0008-06	ATV	WASHER $\Phi$ 10*20*2	3
19	904002-0002-02	ATV	COTTER PIN 2.5*24	2
19	904002-0002-03	ATV	COTTER PIN 2.5*24	4
20	903007-0006		FLANGE LOCK NUT M10*1.25	2
20	903007-0006-02		FLANGE LOCK NUT M10*1.25	2
20	903008-0009-02		SLOTTED NUT GB9457-1988	2
21	C90004-0177		UPPER/LOWER PRESSURE BLOCK ASSEMBLY	1

## Front Wheel Assy



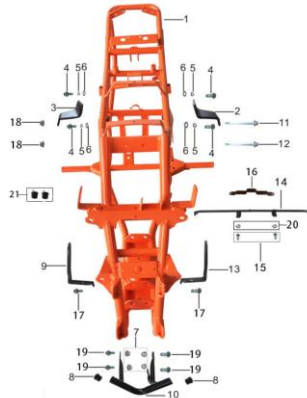
No.	Code	Model	Name	Qty.
1	401006-0030		FRONT TIRE	2
1	401006-0046		FRONT TIRE	2
2	401003-0008	AT110	FRONT HUB ASSY	2
3	401000-0058		FRONT RIM 8*5.5AT-4/88	2
4	404001-0014	AT110	FRONT BRAKE DISC $\Phi 40.4*\Phi 110$	2
5	903008-0011	ATV	SLOTTED NUT M14*1.5*H18	2
5	903008-0011-02	ATV	SLOTTED NUT M14*1.5*H18	2
6	904002-0004-02	ATV	COTTER PIN 3*20	2
6	904002-0004-03	ATV	COTTER PIN 3*20	2
7	401011-0001	AY70	HUB COVER	2
8	903014-0001	ATV	SCREW M6*16	8
8	903014-0001-03	ATV	SCREW M6*16	8
9	903007-0004-02	ATV	FLANGE LOCK NUT M8	8
9	903007-0005		FLANGE LOCK NUT M8	8
10	603002-0009	AT110	LEFT KNUCKLE	1
11	603002-0010	AT110	RIGHT KNUCKLE	1
12	401012-0007		FRONT WHEELS	2
12	C90004-0034	AT110	FRONT LEFT/RIGHT WHEEL ASSEMBLY	2
13	903002-0013-02	ATV	FLAT WASHER $\Phi 15*30*2.5$	2
13	903002-0013-03	ATV	FLAT WASHER $\Phi 15*30*2.5$	2

## Rear Wheel Assy



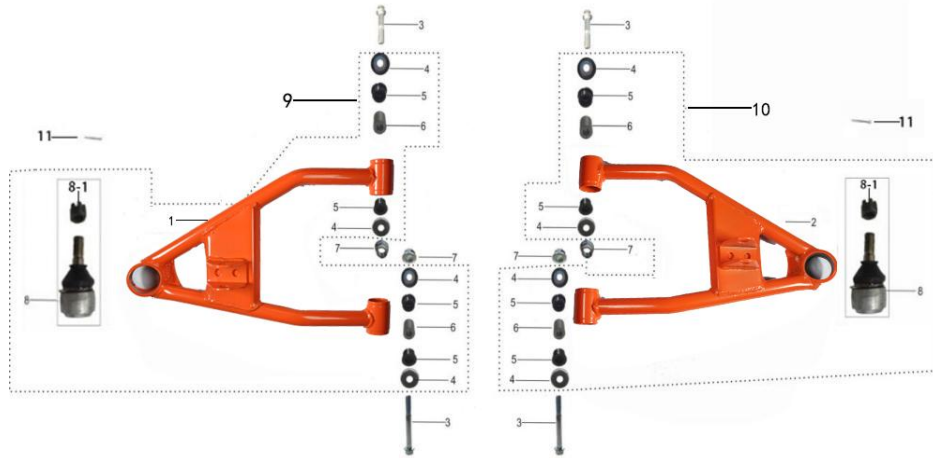
No.	Code	Model	Name	Qty.
1	402006-0020		REAR TIRE	2
1	402006-0036		REAR TIRE	2
2	904002-0006-02	ATV	COTTER PIN 4*28	2
2	904002-0006-03	ATV	COTTER PIN 4*28	2
3	402000-0064		REAR RIM 8*7.0AT-4/110	2
4	401011-0001	AY70	HUB COVER	2
5	903008-0012	ATV	NUT M16*1.5	2
5	903008-0030	ATV	NUT M16*1.5*H18	2
5	903008-0030-02	ATV	NUT M16*1.5*H18	2
6	903007-0006		FLANGE LOCK NUT M10*1.25	8
6	903007-0006-02		FLANGE LOCK NUT M10*1.25	8
7	903001-0005	ATV	WASHER $\Phi$ 10.5*16*3	8
7	903001-0005-02	ATV	WASHER $\Phi$ 10.5*16*3	8
8	903002-0008		WAHSER $\Phi$ 10*20*2	8
9	903002-0014	ATV	FLAT WASHER $\Phi$ 17*48*3	2
9	903002-0014-02	ATV	FLAT WASHER $\Phi$ 17*48*3	2
10	402008-0008		REAR WHEELS	2
10	C90004-0035	AT110	REAR LEFT/RIGHT WHEEL ASSEMBLY	2

## Frame Assy



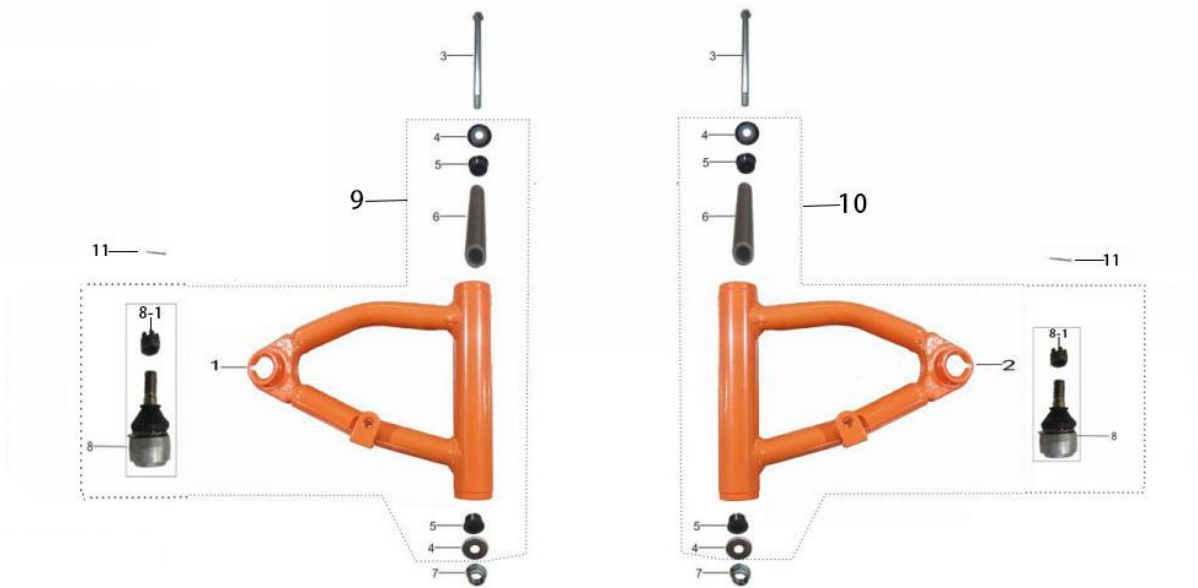
No.	Code	Model	Name	Qty.
1	561000-0037-02	AT110	FRAME	1
1	561000-0039-02	AT125-2	FRAME ASSY ORANGE	1
2	568000-0003	AY70	ENGINE LIFTING HANGER	1
3	568000-0005	AY70	RIGHT ENGINE LIFTING HANGER 54*34*42 Φ9	1
4	903019-0012-02	ATV	FLANGE BOLT M8*16	8
4	903020-0030	A150	FLANGE BOLT KIT M8*16	4
4	903020-0030-02	A150	FLANGE BOLT KIT M8*16	4
5	903001-0003		SPRING WASHER Φ8*13*2	4
6	903002-0004-02		FLAT WASHER Φ8*16*1.5	4
7	903007-0004-02	ATV	FLANGE LOCK NUT M8	4
7	903007-0005		FLANGE LOCK NUT M8	4
8	908004-0003	AY70	PLUG Φ10*Φ15*14	2
9	568000-0070	AT110	RIGHT FRONT MOUNTING PLATE 56*30*39	1
10	704000-0012	AT110	FRONT GUARD 203*112	1
11	903018-0023		FLANGE BOLT M8*110 J390019	1
12	903018-0022	TT	FLANGE BOLT M8*105 J390017	1
13	568000-0069	AT110	LEFT FRONT MOUNTING PLATE 56*30*39	1
14	568000-0071	AT110	SUPPORT REBAR L334	1
15	903018-0003-02	ATV	FLANGE BOLT M6*12	2
15	903018-0003-06	ATV	FLANGE BOLT M6*12	2
16	568000-0068	AT110	SEAT FRONT LIMIT BRACKET 188*20*22.5	1
17	903019-0011-02	ATV	FLANGE BOLT M8*12	2
17	903019-0011-03	ATV	FLANGE BOLT M8*12	2
18	903007-0005		FLANGE LOCK NUT M8	2
18	903007-0005		FLANGE LOCK NUT M8	2
19	903019-0013-02	ATV	FLANGE BOLT M8*20	4
19	903019-0013-06	ATV	FLANGE BOLT M8*20	4
20	903001-0002-02		SPRING WASHER Φ6	2
20	903001-0002-06	ATV	SPRING WASHER Φ6	2
21	908007-0015	AT110	PLUG Φ14*Φ19*17	2

## Lower Rocker Assy



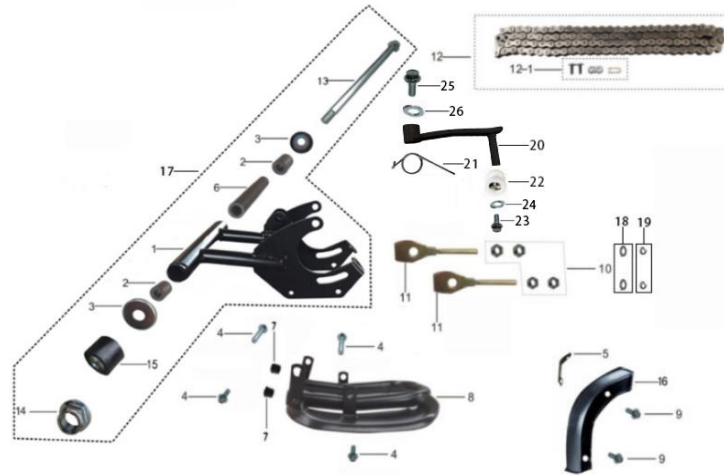
No.	Code	Model	Name	Qty.
1	565000-0045	AT110	LEFT LOWER ROCKER ARM	1
1	565000-0066-01	AT110	RIGHT LOWER ROCKERARM 257*199*100/ORANGE	1
2	565000-0044	AT110	LEFT LOWER ROCKERARM 257*199*100/ORANGE	1
2	565000-0065-01	AT110	LEFT LOWER ROCKERARM 257*199*100/ORANGE	1
3	903018-0035		FLANGE BOLT M10*70*1.25	4
3	903018-0035-06		FLANGE BOLT M10*70*1.25	4
4	908007-0006	ATV	SEALING COVER $\Phi 10*35*H8+\Phi 27.5*6.5$	8
4	908007-0006-02			8
5	902002-0029	AY70	BUSHING $\Phi 16*27*14+\Phi 23+H11$ POM	8
6	902001-0026	AY70	STEEL BUSHING $\Phi 10.2*16*H46$	4
7	903007-0006		FLANGE LOCK NUT M10*1.25	4
7	903007-0006-02		FLANGE LOCK NUT M10*1.25	4
8	603003-0005	AT110	LINKAGE BALL	2
8	603003-0011	AT110	LINKAGE BALL	2
8-1	603005-0009		NUT M10*1.25*H9	2
9	C90004-0070		RIGHT LOWER ROCKER ARM ASSY/ORANGE	1
10	C90004-0069	AU110	LEFT LOWER ROCKER ARM ASSY/ORANGE	1
11	904002-0002-02	ATV	COTTER PIN 2.5*24	2
11	904002-0002-03	ATV	COTTER PIN 2.5*24	2

## Upper Rocker Assy



No.	Code	Model	Name	Qty.
1	565000-0043	AT110	RIGHT UPPER SWING ARM	1
1	565000-0064-01	AT110	RIGHT UPPER ROCKER ARM 163*156*57/ORANGE	1
2	565000-0042	AT110	LEFT UPPER ROCKER ARM 163*156*57/ORANGE	1
2	565000-0063-01	AT110	LEFT UPPER ROCKER ARM 163*156*57/ORANGE	1
3	901001-0005	SSR	FLANGE AXLE $\Phi 10*185*M10*1.25MM$	2
3	901001-0005-06	TD	FLANGE AXLE $\Phi 10*185*M10*1.25MM$	2
4	908007-0006	ATV	SEALING COVER $\Phi 10*35*H8+\Phi 27.5*6.5$	4
4	908007-0006-02			4
5	902002-0038	A250	PLASTIC BUSHING $\Phi 16*27*H23+\Phi 23+H20$	4
6	902001-0040	AT110	STEEL BUSHING $\Phi 10.5*16*H163$	2
7	903007-0006		FLANGE LOCK NUT M10*1.25	2
7	903007-0006-02		FLANGE LOCK NUT M10*1.25	2
8	603003-0005	AT110	LINKAGE BALL	2
8	603003-0011	AT110	LINKAGE BALL	2
8-1	603005-0009		NUT M10*1.25*H9	2
9	C90004-0068	AU110	RIGHT UPPER ROCKER ARM ASSY/ORANGE	1
10	C90004-0067	AU110	LEFT UPPER ROCKER ARM ASSY/ORANGE	1
11	904002-0002-02	ATV	COTTER PIN 2.5*24	2
11	904002-0002-03	ATV	COTTER PIN 2.5*24	2

## Rear Swingarm Kit



No.	Code	Model	Name	Qty.
1	563000-0014-01	AT110	FORK	1
1	563000-0030-01		REAR FORK L=289	1
1	563000-0041-02		REAR FORK L=289	1
1	563000-0041-0202		REAR FORK L=289	1
2	902001-0053	AY70	SPACER BUSH $\Phi 12.3 \times 24 \times 29$	2
3	908007-0007	AY70	SEALING COVER $\Phi 12 \times 35 \times H8 + \Phi 27.5 \times 6.5$	2
4	903015-0005	ATV	SCREW M8*16	4
4	903015-0005-02	ATV	SCREW M8*16	4
5	568000-0010	AT110	CHAIN COVER MOUNTING PLATE 57*20	1
6	901003-0007	AY70	INNER LINING PIPE $\Phi 12.5 \times 19 \times L143$	1
7	908004-0002	AY70	CHAIN SUPPORT PLUG $\Phi 9 \times 16 \times H14$	2
8	568000-0004	AY70	CHAIN SUPPORT ASSY	1
9	903018-0003-02	ATV	FLANGE BOLT M6*12	2
9	903018-0003-03	ATV	FLANGE BOLT M6*12	2
10	903005-0007-02		FLANGE NUT M8	4
10	903005-0007-03	ATV	FLANGE NUT M8	4
11	203003-0004	AY70	CHAIN AJUSTER $\Phi 13 \times M8 \times 48$	2
11	203003-0009	AT110	CHAIN AJUSTER $\Phi 13 \times M8 \times 85$	2
12	203000-0086	AT110	CHAIN 420H 86L	1
12-1	203001-0002		CHAIN JOINT 420H	1
13	901001-0022		FLANGE AXLE $\Phi 12 \times 236 \times M12 \times 1.25MM$	1
13	901001-0022-06	TT-A	FLANGE AXLE $\Phi 12 \times 235 \times M12 \times 1.25MM$	1
14	903007-0008		FLANGE LOCK NUT M12*1.25	1
14	903007-0008-02	ATV	FLANGE LOCK NUT M12*1.25	1
15	203004-0024	AY70-2	CHAIN GUIDE SLIDER $\Phi 30.5 \times 43 \times H38$	1

16	203004-0027	A125	CHAIN COVER	1
17	C90004-0126		FORK KIT	1
17	C90004-0215	AT110	FORK KIT	1
18	903002-0004-02	ATV	FLAT WASHER $\Phi 8*16*1.5$	2
18	903002-0004-06	ATV	FLAT WASHER $\Phi 8*16*1.5$	2
19	903001-0003	ATV	SPRING WASHER $\Phi 8*13*2$	2
19	903001-0003-02	ATV	SPRING WASHER $\Phi 8*13*2$	2
20	568000-0219		TENSIONER BRACKET	1
20	568000-0219-02		TENSIONER BRACKET	1
21	407003-0018	AT110	TENSIONER TORSION SPRING	1
22	203004-0013		CHAIN GUIDE WHEEL	1
23	903019-0002		FLANGE BOLT M6*12	1
24	903002-0001-03		FLAT WASHER- $\Phi 6*12*1.5$	1
25	903019-0011-03		FLANGE BOLT M8*12	1
26	903002-0005-03		FLAT WASHER- $\Phi 8*28*1.5$	1

## Rear Shock Assy



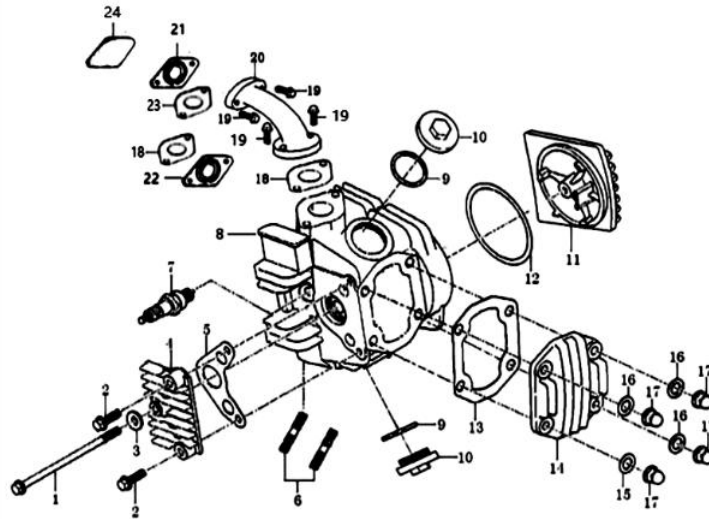
No.	Code	Model	Name	Qty.
1	502000-0049	AT110/AU110	REAR SHOCK	1
1	502000-0116		REAR SHOCK	1
2	903018-0032		FLANGE BOLT M10*40*1.25	2
2	903018-0032-06	ATV	FLANGE BOLT M10*40*1.25	2
3	903007-0006		FLANGE LOCK NUT M10*1.25	2
3	903007-0006-02		FLANGE LOCK NUT M10*1.25	2

## Engine Assy



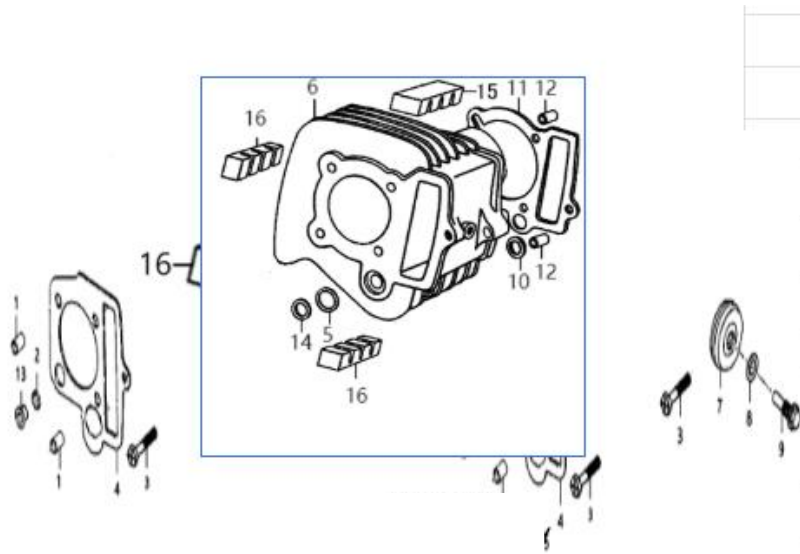
No.	Code	Model	Name	Qty.
1	101000-0514	110-ATV	ENGINE	1
1	101000-0587		ENGINE	1
1	H01000-0010	C110	ENGINE C110	1
2	201001-0002	AT110	HAND-GEAR SHIFT LEVER 260*35*30	1
2	201001-0009		HAND-GEAR SHIFT LEVER 260*35*30	1
3	903019-0013-02	ATV	FLANGE BOLT M8*20	2
3	903019-0013-06	ATV	FLANGE BOLT M8*20	2
4	903002-0004-02	ATV	FLAT WASHER $\Phi 8*16*1.5$	2
4	903002-0004-06	ATV	FLAT WASHER $\Phi 8*16*1.5$	2
5	903001-0003	ATV	SPRING WASHER $\Phi 8*13*2$	2
5	903001-0003-02	ATV	SPRING WASHER $\Phi 8*13*2$	2
6	804019-0106		GEAR SHIFT MOLDED LABEL	1

## CYLINDER HEAD ASSY



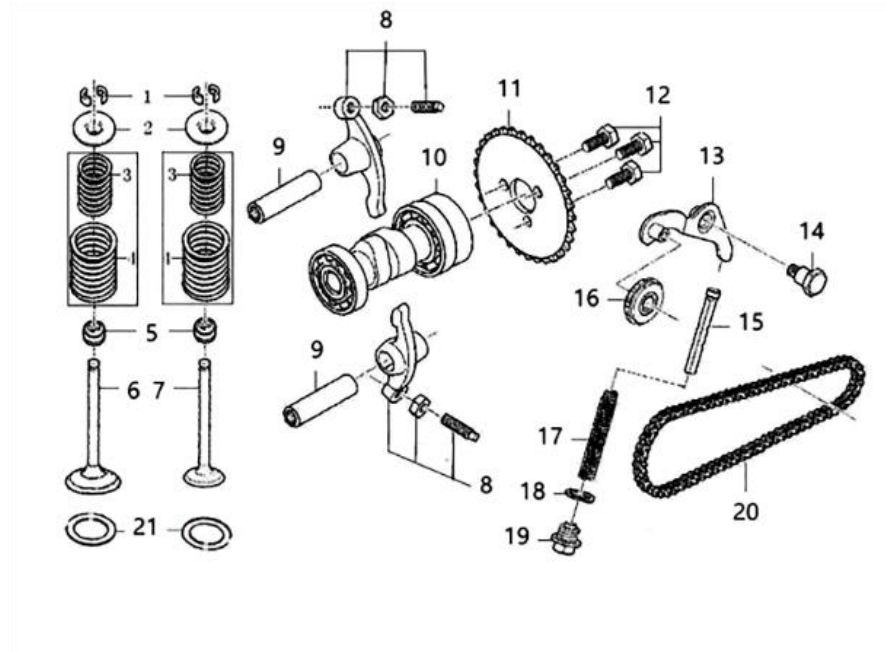
NO.	CODE	NAME	QTY.
1	A00103-0601-25	BOLT,M6×110	1
2	A00103-0604-24	BOLT, M6×20	2
3	A00160-0604	WASHER,Φ6×Φ13×2	1
4	H01020-0090	RIGHT COVER CYLINDER HEAD	1
5	H01020-0130	GASKET R.CYLINDER HEAD COVER	1
6	A00108-0601-25	BOLT,M6×35	2
7	H01020-0060	SPARK PLUG	1
8	H01021-0010	CYLINDER HEAD ASSY	1
9	A00280-3001	O-RING,Φ29.6×3.2	2
10	H01020-0110	COVER VALVE CHAMBER	2
11	H01020-0100	LEFT COVER CYLINDER HEAD	1
12	H01020-0140	GASKET L CYLINDER HEAD COVER	1
13	H01020-0120	GASKET CYLINDER HEAD UPPER COVER	1
14	H01020-0080	UPPER COVER CYLINDER HEAD	1
15	A00160-0702	WASHER,Φ7.3×Φ14×2	1
16	A00160-0701	WASHER,Φ7.2×Φ14×2	3
17	A00145-0701-24	NUT M7	4
18	H01080-0040	BEND SEALING GASKET	2
19	A00103-0607-24	BOLT, M6×28	4
20	H01080-0020	INLET PIPE	1
21	I01080-0060	GASKET CARBURETOR Φ25	1
22	H01080-0030	GASKET CARBURETOR Φ28	1
23	I01080-0050	CARBURETOR SEALING GASKET	1
24	H01020-0300	SEALING LABEL	1

## CYLINDER ASSEMBLY



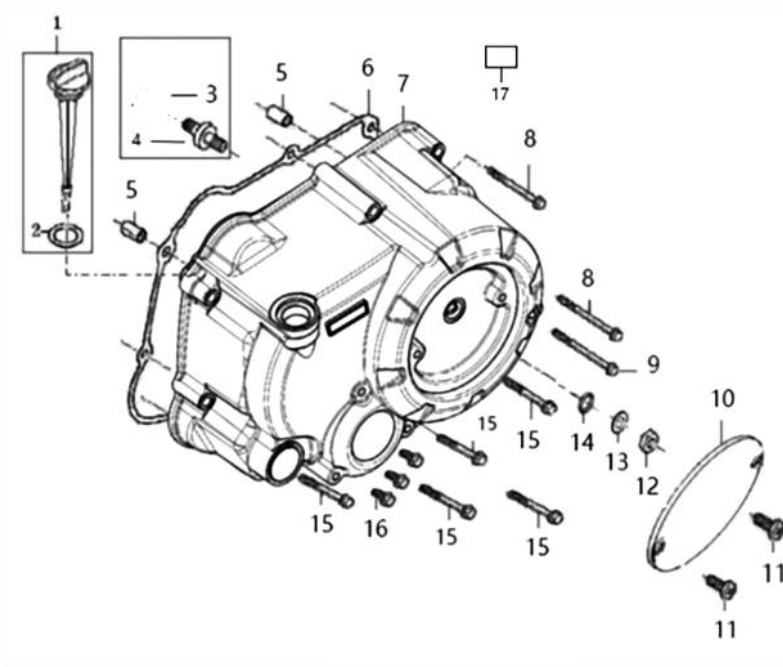
NO.	CODE	NAME	QTY.
1	A00206-0802	DOWEL PIN,Φ8×14×Φ7	2
2	H01020-0180	RECTANGLE RING,9X11.5X1.5	1
3	A00128-0601-25	BOLT,M6×23	2
4	H01020-0150	GASKET ASSY CYLINDER HEAD	1
5	H01020-0170	RECTANGLE RING,14.5×18.5×2.5	1
6	H01020-0020	CYLINDER BLOCK ASSEMBLY	1
7	H01023-0090-01	GUIDE CHAIN ROLLER SET	1
8	A00160-0802	WASHER,Φ8×Φ14×2	1
9	H01023-0100	GUIDE CHAIN ROLLER PIN	1
10	H01020-0160	RECTANGLE RING,11.5×16×2.5	1
11	H01020-0030	GASKET CYLINDER BLOCK	1
12	A00206-0803	DOWEL PIN,Φ8×12×Φ7	2
13	H01020-0070	BUSH 9.5	1
14	A00181-1101	COLLAR.11.5*14*1.5	1
15	H01020-0040	CYLINDER BLOCK DAMPING RUBBER BLOCK B	1
16	H01020-0050	CYLINDER BLOCK DAMPING RUBBER BLOCK A	3

## VALVE MECHANISM



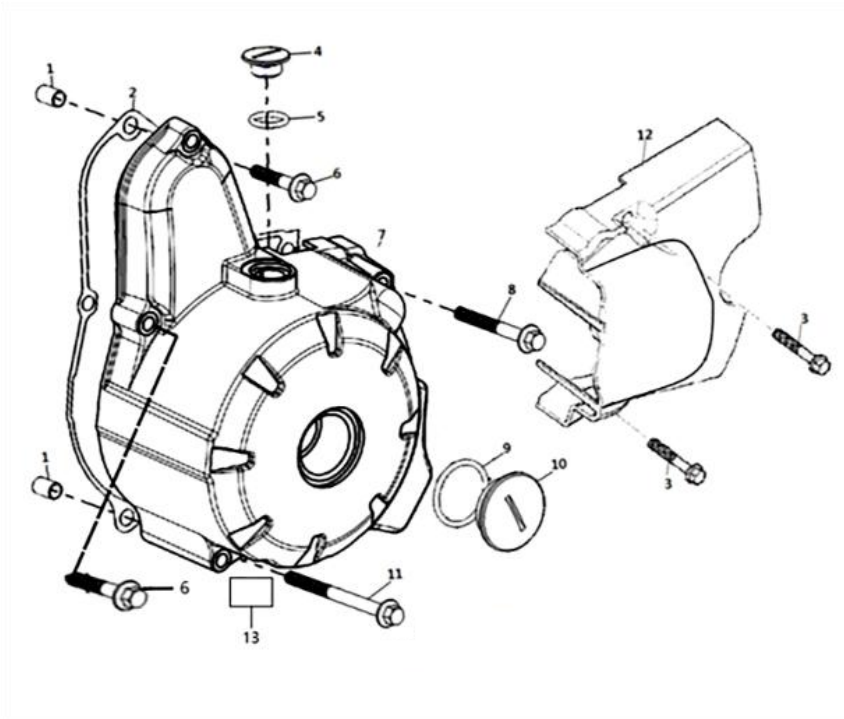
NO.	CODE	NAME	QTY.
1	H01021-0110	VALVE LOCKER	4
2	H01021-0100	SPRING,SEAT	2
3	H01021-0090	VALVE INNER SPRING	2
4	H01021-0080	VALVE OUTER SPRING	2
5	H01021-0020	SEAL VALVE STEM	2
6	H01021-0060	INTAKE VALVE	1
7	H01021-0070	EXHAUST VALVE	1
8	H01021-0040	ROCKER ARM ASSEMBLY VALVE	2
9	H01021-0050	ROCKER SHAFT	2
10	H01021-0030	GAMP SHAFT COMP	1
11	H01023-0010	TIMING DRIVEN SPROCKET	1
12	A00100-0501-65	BOLT,M5×12	3
13	H01023-0030	CHAIN ADJUSTING SET	1
14	H01023-0050	AXLE TENSIONER LEVER	1
15	H01023-0070	CAM CHAIN TENSIONER PUSH ROD	1
16	H01023-0040	CHAIN TENSIONING WHEEL	1
17	H01023-0060	SPRING	1
18	A00160-1402	WASHER,Φ14×Φ20×1.5	1
19	H01023-0130	SEALING PLUG M14×1.5	1
20	H01023-0020	SPROCKET CHAIN	1
21	H01021-0120	OUTER VALVE SPRING,RETAINER	2

## RIGHT CRANKCASE COVER



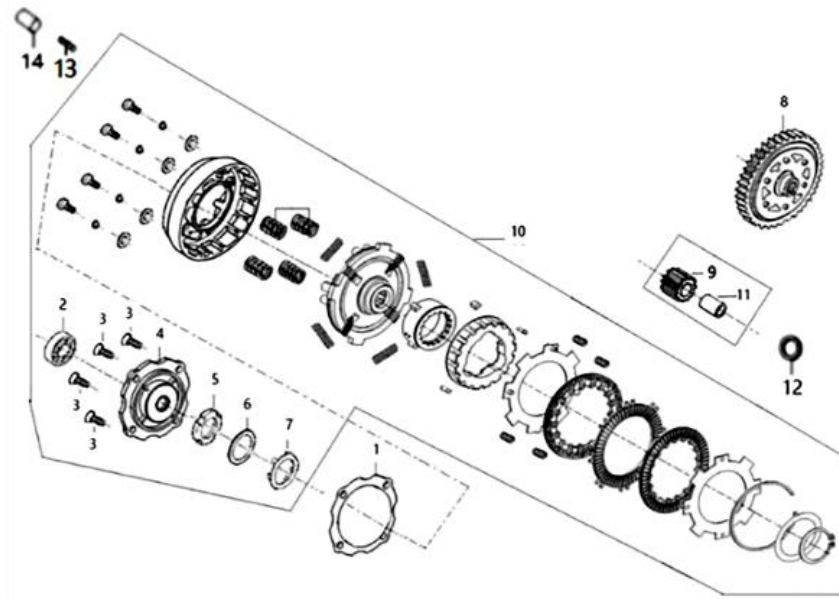
NO.	CODE	NAME	QTY.
1	H01010-0131	OIL RULER ASSY	1
2	A00280-1801	O-RING,Φ18×3.5	1
3	H01051-0041	CLUTCH TAPPET	1
4	H01051-0031	CLUTCH ADJUSTING BOLT	1
5	A00206-0803	DOWEL PIN,Φ8×12×Φ7	2
6	H01010-0110	GASKET R.CRANKCASE COVER	1
7	H01010-0040	COVER COMP RIGHT CRANKCASE	1
8	A00103-0617-24	BOLT, M6×85	2
9	A00103-0614-24	BOLT, M6×70	1
10	H01010-0060	DECORATE COVER R.CRANKCASE COVER	1
11	A00124-0601-24	SCREW, M6×12	2
12	A00140-0801-24	NUT, M8	1
13	A00160-0803	WASHER 8X16X2	1
14	A00280-0703	O-RING,Φ7.5X1.8	1
15	A00103-0609-24	BOLT, M6×40	5
16	A00103-0611-24	BOLT, M6×6	3
17	H01100-0300	OIL LABEL	1

## LEFT CRANKCASE COVER



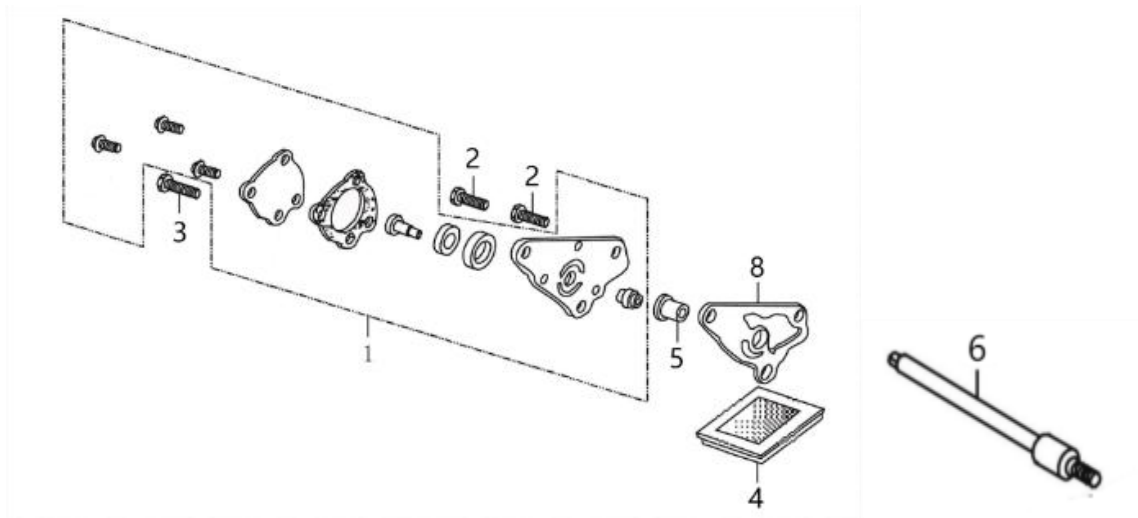
NO.	CODE	NAME	QTY.
1	A00206-0803	DOWEL PIN,Φ8×12×Φ7	2
2	H01010-0120	GASKET L.CRANKCASE COVER	1
3	A00103-0607-24	BOLT, M6×28	2
4	H01010-0090	CAP SMALL VIEW HOLE	1
5	A00280-1401	O-RING,Φ13.8×2.5	1
6	A00103-0608-24	BOLT, M6×32	2
7	H01010-0030	FRONT PART,L.CRANKCASE COVER	1
8	A00103-0610-24	BOLT, M6×50	1
9	A00280-2801	O-RING,Φ27.4×2.4	1
10	H01010-0080	CAP BIG VIEW HOLE	1
11	A00103-0614-24	BOLT, M6×70	1
12	H01010-0050	BACK PART L.CRANKCASE COVER	1
13	H01090-0300-02	GEAR LABEL	1

## CLUTCH ASSY



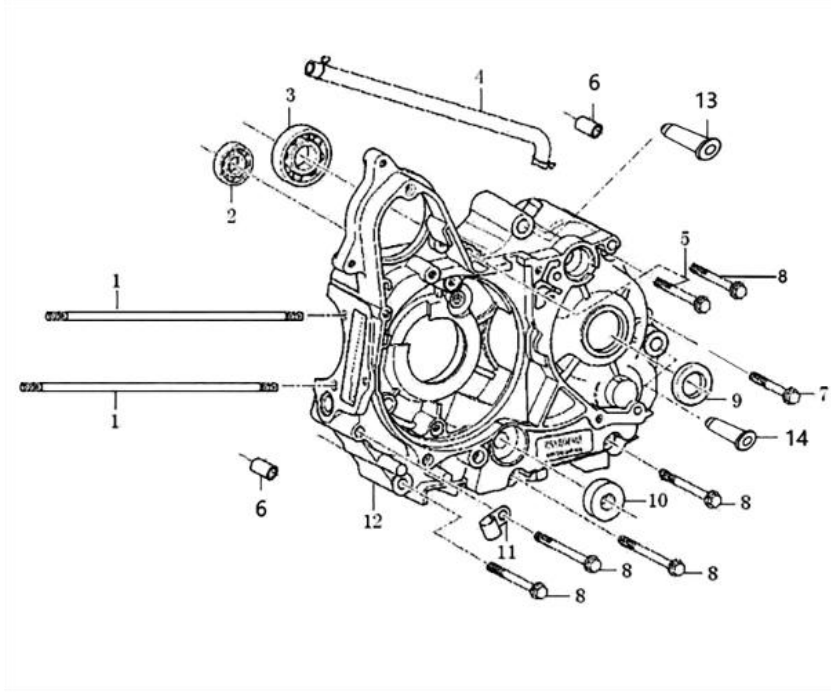
NO.	CODE	NAME	QTY.
1	H01050-0070	GASKET END COVER	1
2	H01050-0060	BEARING,6000	1
3	A00126-0501-24	SCREW, M5×12	4
4	H01050-0060	END COVER CLUTCH	1
5	A00159-1401	LOCK NUT CLUTCH	1
6	A00164-1401	DISH WASHER,CLUTCH	1
7	A00163-1401	STOP WASHER,CLUTCH	1
8	H01050-0020	DRIVEN GEAR COMP	1
9	H01050-0050	DRIVEN GEAR	1
10	H01050-0010	CLUTCH ASSY	1
11	H01050-0040	BUSH	1
12	H01051-0050	SPACER SLEEVE	1
13	A00440-0601	SPRING	1
14	H01051-0060	TUBING	1

## OIL PUMP



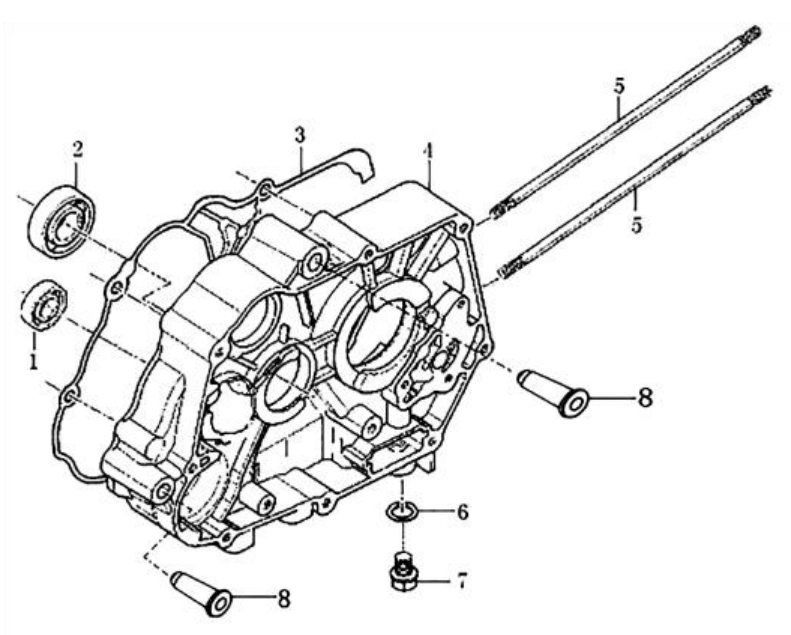
NO.	CODE	NAME	QTY.
1	H01100-0010	OIL PUMP ASSY	1
2	A00124-0602-24	SCREW, M6×16	2
3	A00124-0608-24	SCREW, M6×22	1
4	H01100-0030	STRAINER OIL FILTER	1
5	H01100-0060	SHAFT SLEEVE	1
6	H01100-0040	SCREW	1
7	H01023-0110	HUB DUMP CHAIN SPROCKET OIL PUMP	1
8	H01100-0020	OIL PUMP GASKET	1

## LEFT CRANKCASE



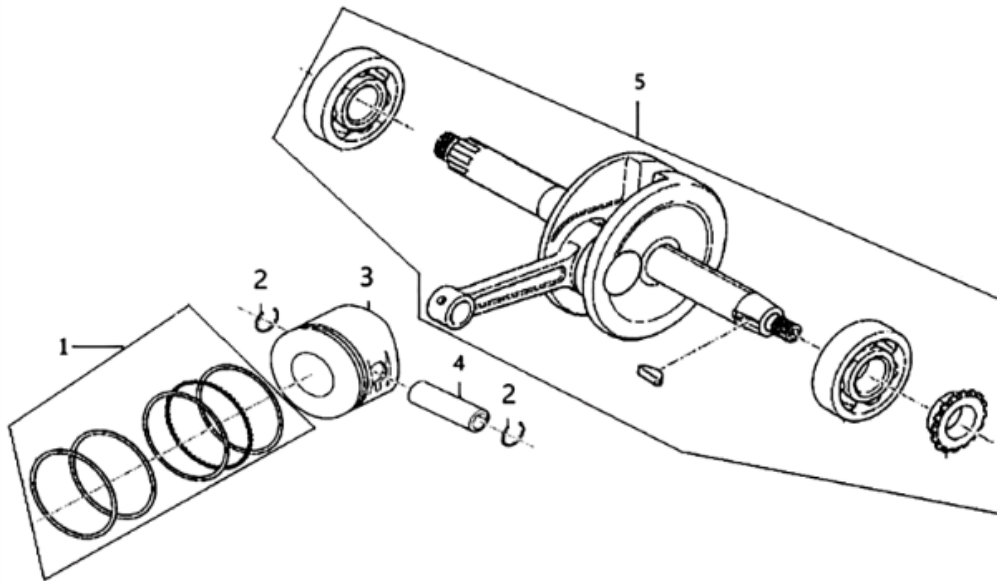
NO.	CODE	NAME	QTY.
1	A00108-0602-86	CYLINDER STUD BOLT A	2
2	A00260-1201	BEARING, 6001	1
3	A00260-1703	BEARING, 6203	1
4	A00343-0701	PIPE ASSY	1
5	A00103-0616-24	BOLT, M6×55	1
6	A00206-1001	PIN,Φ10×14	2
7	A00103-0614-24	BOLT, M6×70	1
8	A00103-0613-24	BOLT, M6×65	5
9	A00283-1702	OIL SEAL 17×29×5	1
10	A00283-1201	OIL SEAL 11.6×24×10	1
11	H01010-0140	CLIP OVERFLOW PIPE	1
12	H01010-0010	LEFT CRANKCASE BLOCK	1
13	H01020-0200	ABSORBER SLEEVE	1
14	H01020-0190	ABSORBER SLEEVE	1

## RIGHT CRANKCASE



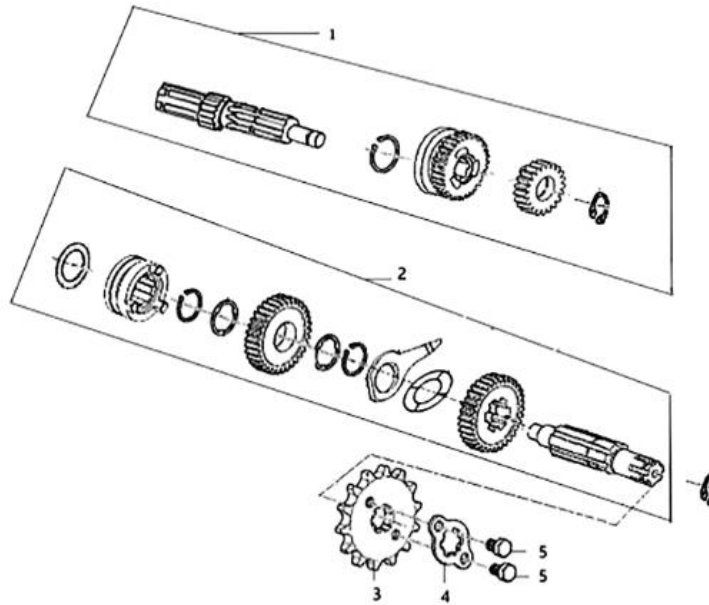
NO.	CODE	NAME	QTY.
1	A00260-1202	BEARING,(6201)	1
2	A00260-1702	BEARING, 6203	1
3	H01010-0100	GASKET CRANKCASE	1
4	H01010-0020	RIGHT CRANKCASE BLOCK	1
5	A00108-0601-86	CYLINDER STUD BOLT B	2
6	A00160-1201	WASHER, 12X20X2	1
7	A00103-1201-24	VALVE COVER. M12X1.5X15	1
8	H01020-0190	ABSORBER SLEEVE	2

## CRANKSHAFT CONNECTING-ROD ASSY/PISTON



NO.	CODE	NAME	QTY.
1	H01032-0010	PISTON RING,COMP	1
2	H01030-0050	CHECK RING PISTON PIN,Φ14	2
3	H01030-0030	PISTON	1
4	H01030-0040	PIN,PISTON	1
5	H01031-0010	CRANKSHAFT CONNECTING-ROD ASSY	1

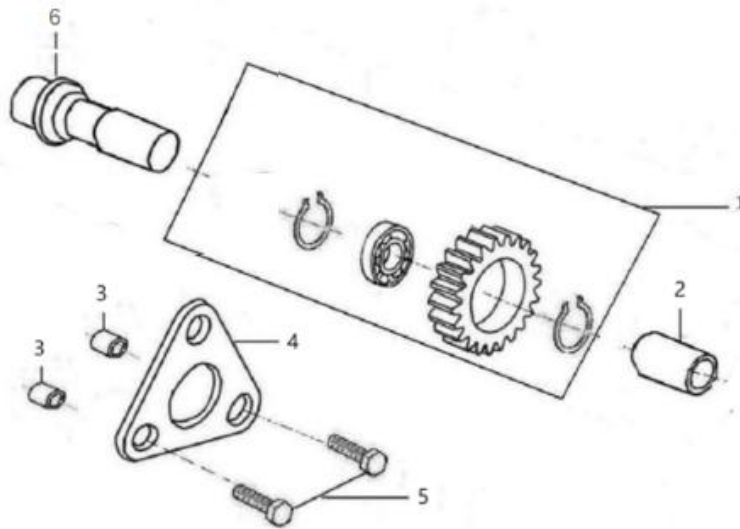
## TRANSMISSION MAIN



主副轴组合  
TRANSMISSION MAIN, COUNTER SHAFT

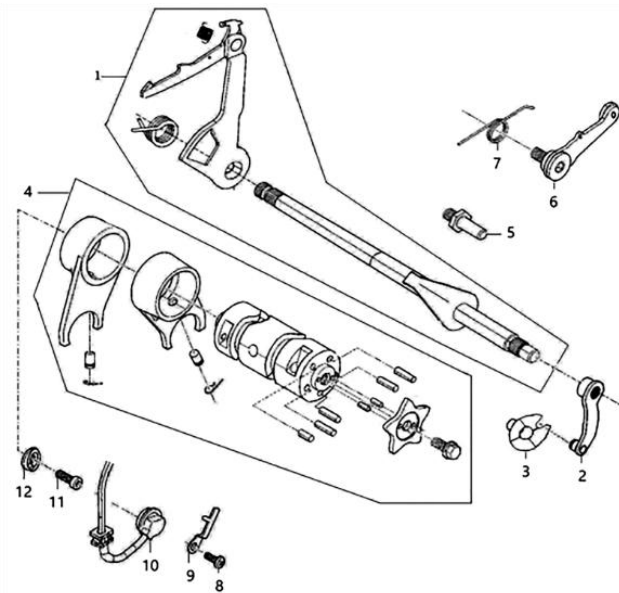
NO.	CODE	NAME	QTY.
1	H01040-0011	MAIN SHAFT TRANSMISSION	1
2	H01040-0021	COUTERSHAFT TRANSMISSION	1
3	H01040-0060	DRIVE SPROCKET	1
4	H01040-0070	FIXING PLATE DRIVE SPROCKET	1
5	A00100-0601-25	BOLT, M6×8	2

## IDLER SETUP



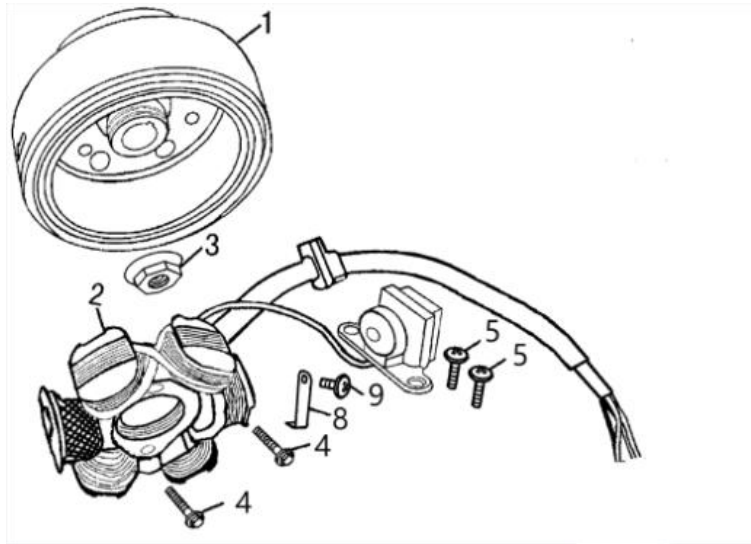
NO.	CODE	NAME	QTY.
1	H01040-0050	IDLER SETUP	1
2	H01040-0080	AXLE SLEEVE	1
3	A00206-0803	PIN, $\Phi 8 \times 12$	2
4	H01040-0030	FIXING PLATE	1
5	A00100-0603-24	BOLT, M6 $\times$ 22	2
6	H01040-0040	REVERSE SHAFT	1

## GEARSHIFT MECHANISM



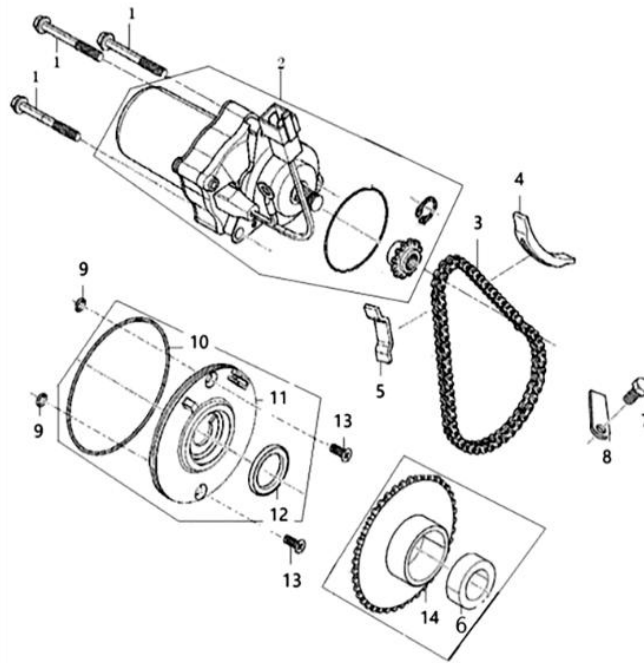
NO.	CODE	NAME	QTY.
1	H01090-0020	GEARSHIFT LEVER COMP	1
2	H01050-0030	CONTROLLING ARM ASSEMBLY CLUTCH	1
3	H01051-0021	CAM PLATE ASSEMBLY CLUTCH	1
4	H01090-0010	GEARSHIFT DRUM COMP	1
5	H01090-0080	BOLT RETURN SPRINGN FIXING,M8X34	1
6	H01090-0050	LOCATING PLATE ASSY	1
7	H01090-0070	SPRING, LOCATING PLATE	1
8	A00103-0601-24	BOLT, M6×12	1
9	H01090-0060	GEARSHIFT SWITCH PRESSING PLATE	1
10	H01090-0030	GEARSHIFT SWITCH LAMP	1
11	A00106-0601-65	SCREW, M6×16	1
12	H01090-0040	CONTACT CEARINDICATION	1

## MAGNETO COMP



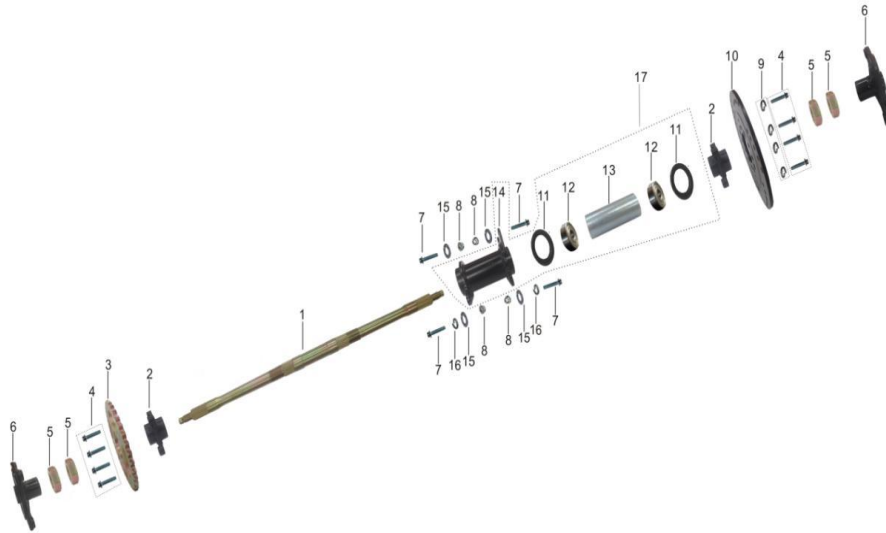
NO.	CODE	NAME	QTY.
1	H01070-0010	ROTOR ASSY MAGNETO	1
2	H01070-0020	STATOR ASSY MAGNETO	1
3	A00159-1002-23	NUT, M10×1.25	1
4	A00103-0605-24	BOLT, M6×22	2
5	A00100-0501-24	BOLT, M5×12	2
6	H01070-0040	FIXING PLATE MAGNETO CABLE	1
7	A00103-0602-24	BOLT, M6×16	1
8	H01070-0050	TRIGGER WIRE PRESSING PLATE	1
9	A00124-0501-24	SCREW.M5X6	1

## ELECTRIC STARTING MECHANISM



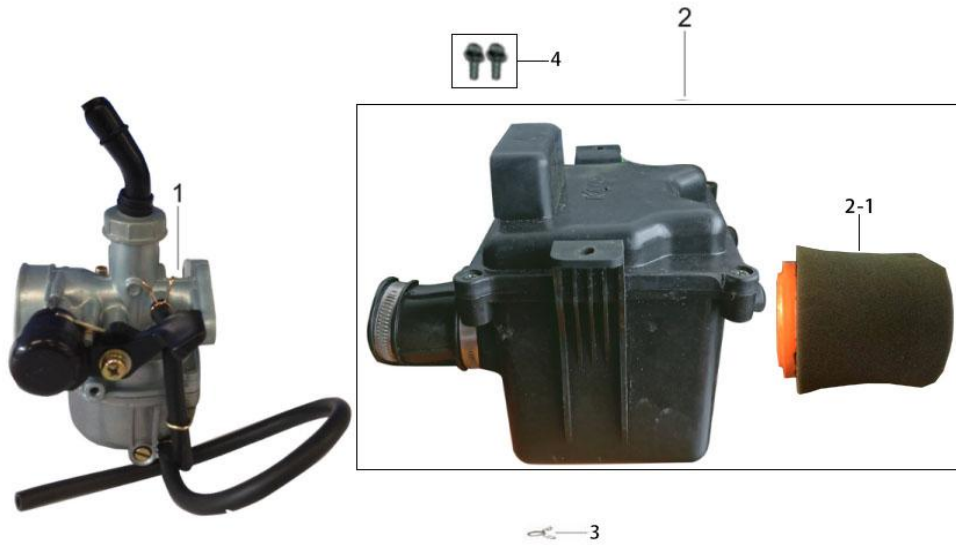
NO.	CODE	NAME	QTY.
1	A00103-0610-24	BOLT, M6×50	3
2	H0106D-0010	STARTING MOTOR ASSY	1
3	H0106D-0020	ELECTRIC STARTING CHAIN (62 SECTIONS)	1
4	H0106D-0040	ASSEMBLY GUIDE PLATE	1
5	H0106D-0050	ASSEMBLY CHAIN PROTECT PLATE	1
6	A00283-1901	OIL SEAL 18.9×30×5	1
7	A00100-0604-24	BOLT, M6×12	1
8	H0106D-0060	PLATE START CLUTCH	1
9	A00280-0702	O-RING, Φ6.8×1.9	2
10	A00280-0701	O-RING, Φ107×2	1
11	H01010-0070	DISK INSULATOR	1
12	A00283-3001	OIL SEAL 30×42×4.5	1
13	A00126-0601-24	SCREW, M6×16	2
14	H0106D-0030	PLATE GEAR ASSY	1

## Rear Axle Assy



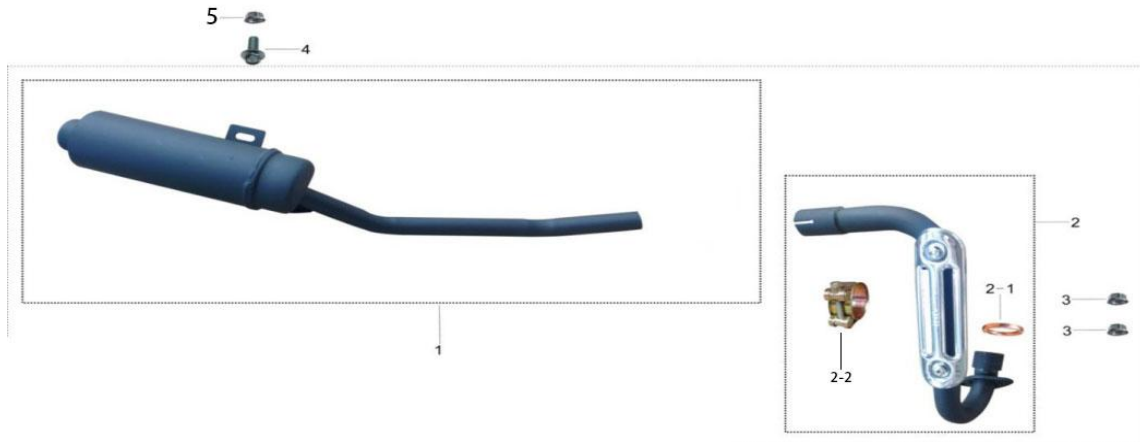
No.	Code	Model	Name	Qty.
1	505001-0011	AT110	REAR WHEEL AXLE	1
2	205003-0004	AY70	CHAIN PULLEY SEAT	2
3	205001-0004	AY70	REAR SPROCKET	1
4	C90004-0025	ATV	FLANGE BOLT M8*16	8
4	903019-0012-06	ATV	FLANGE BOLT M8*16	8
5	903008-0016	ATV	NUT M27*1.5*H10	4
6	402003-0021	AT110	REAR HUB M10*30*1.25	2
7	903019-0025	ATV	FLANGE BOLT M12*30*1.25	4
7	903019-0025-02	ATV	FLANGE BOLT M12*30*1.25	4
8	903007-0008		FLANGE LOCK NUT M12*1.25	4
8	903007-0008-02	ATV	FLANGE LOCK NUT M12*1.25	4
9	903001-0003		SPRING WASHER $\Phi 8 \times 13 \times 2$	4
9	903001-0003-02	ATV	SPRING WASHER $\Phi 8 \times 13 \times 2$	4
10	405001-0012	AT110	REAR BRAKE DISC $\Phi 48.4 \times 180$	1
11	908001-0010	ATV	OIL SEAL 55*35*8	2
12	907001-0010	ATV	BEARING 6006RS	2
13	901003-0009	AY70	INNER LINING PIPE $\Phi 31 \times 35 \times L88$	1
14	564000-0002	AT110	REAR AXLE	1
15	903002-0010		FLAT WASHER $\Phi 12 \times 24 \times 2$	4
16	903001-0006	ATV	SPRING WASHER $\Phi 12 \times 20 \times 3$	2
16	903001-0006-02	ATV	SPRING WASHER $\Phi 12 \times 20 \times 3$	2
17	C90004-0025		REAR AXLE ASSY	1

## Carburetor Assy



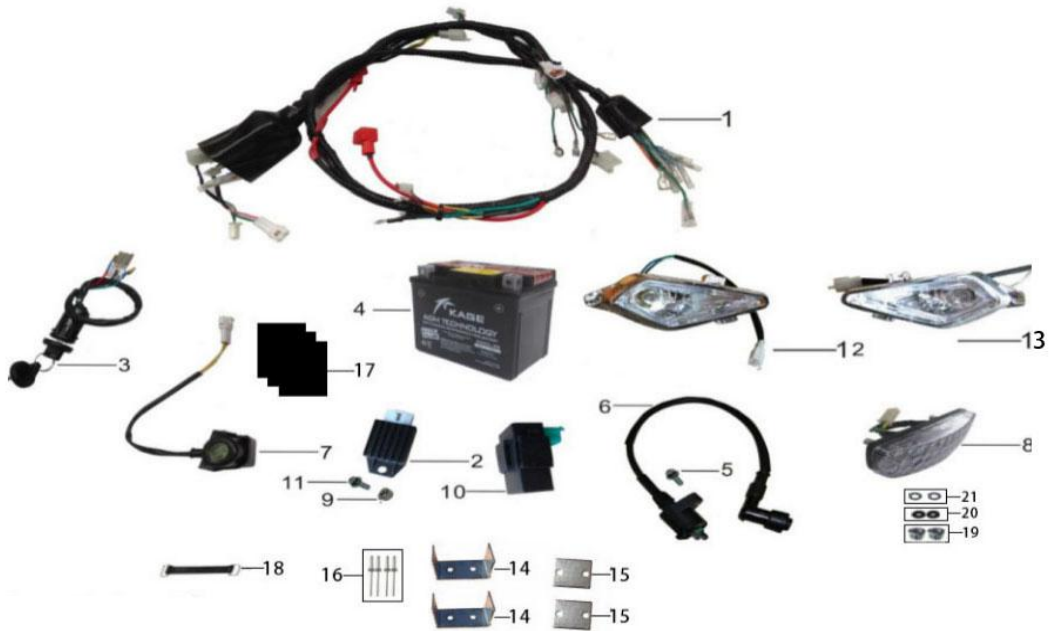
No.	Code	Model	Name	Qty.
1	102000-0086	AT110	CARBURETOR	1
2	105000-0028		AIR FILTER	1
2	105000-0028-02		AIR FILTER	1
2	105000-0028-03		AIR FILTER	1
2-1	105002-0016	AT110	FILTER ELEMENT	1
3	906002-0009	ATV	PIPE CLAMP $\Phi 12$	1
4	903019-0003		FLANGE BOLT M6*16	2
4	903019-0003-02	ATV	FLANGE BOLT M6*16	2

## Muffler Assy



No.	Code	Model	Name	Qty.
1	106002-0028	AT110	MUFFLER	1
1	106002-0028-02		MUFFLER	1
2	106001-0078	AT110	MUFFLER PIPE	1
2	106001-0078-03		MUFFLER PIPE	1
2-1	106003-0002		GASKET $\Phi 24*33*5.5$	1
2-2	106004-0001		MUFFLER CLAMP 36-39	1
3	903007-0002-02	ATV	FLANGE LOCK NUT M6	2
3	903007-0002-03	ATV	FLANGE LOCK NUT M6	2
4	903019-0013-02	ATV	FLANGE BOLT M8*20	1
4	903019-0013-06	ATV	FLANGE BOLT M8*20	1
5	903007-0004-02	ATV	FLANGE LOCK NUT M8	1
5	903007-0005		FLANGE LOCK NUT M8	1

## Electronic Assy



No.	Code	Model	Name	Qty.
1	309001-0110	AT110	MAIN CABLE	1
1	309001-0139	AT110	MAIN CABLE	1
1	309001-0138	AT110	MAIN CABLE	1
1	309001-0138-02		MAIN CABLE	1
2	302001-0007-02	AY70-2	STABILIZED RECTIFIER	1
3	314001-0003-03	AT110	ELECTRIC LOCK	1
3	314001-0003-04		ELECTRIC LOCK	1
4	312001-0040	AT110	BATTERY MF12V5-1A 12V5AH 113*70*104	1
5	903018-0005-02		FLANGE BOLT M6*20	1
5	903018-0005-06	ATV	FLANGE BOLT M6*20	1
6	306001-0012-02	AY70	IGNITION COIL	1
7	301001-0001	A250	RELAY	1
8	308002-0005	AT110	REAR LIGHT	1
8	308002-0005-02		REAR LIGHT	1
9	903007-0002-02	ATV	FLANGE LOCK NUT M6	1
9	903007-0002-03	ATV	FLANGE LOCK NUT M6	1
10	303001-0007-03	ATV	CDI	1
11	903018-0003-02	ATV	FLANGE BOLT M6*12	1
11	903018-0003-06	ATV	FLANGE BOLT M6*12	1
12	308001-0025	AT110	RIGHT FRONT LIGHT	1
12	308001-0025-04		RIGHT FRONT LIGHT	1

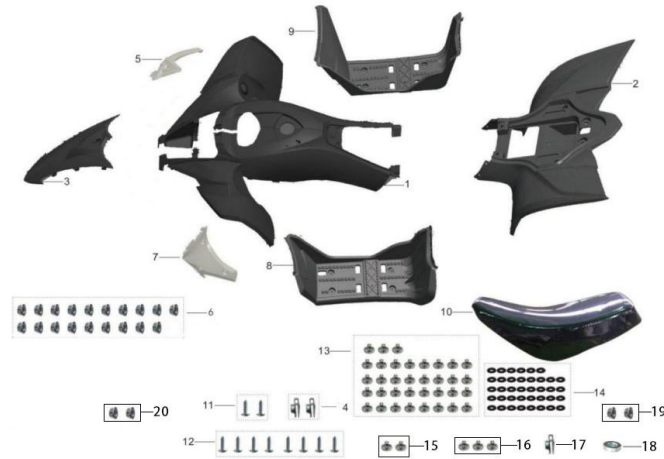
12	308001-0025-05	AT110	RIGHT FRONT LIGHT	1
13	308001-0024	AT110	LEFT FRONT LIGHT	1
13	308001-0024-04		LEFT FRONT LIGHT	1
13	308001-0024-05	AT110	LEFT FRONT LIGHT	1
14	315003-0001	A125	CDI BRACKET	2
15	315003-0004	A250	CDI SUPPORT PLATE 27.5*21*1.5	2
16	905001-0003		RIVET $\Phi$ 3.5*12	4
17	909010-0008	TT-A	EVA 82*65*4	3
18	908007-0021	TS	BATTERY GUARD TAPE	1
19	903006-0001-02	ATV	FLANGE NUT M5	2
19	903006-0001-03	ATV	FLANGE NUT M5	2
20	908003-0002		WASHER $\Phi$ 5.5*14.5*2	2
21	903002-0002-02	ATV	SPRING WASHER $\Phi$ 6*18*1.5	2
21	903002-0002-06	ATV	SPRING WASHER $\Phi$ 6*18*1.5	2

## Fuel Tank Assy



No.	Code	Model	Name	Qty.
1	805002-0011	AT110	FUEL TANK	1
1-1	805003-0011	AY70	FUEL TANK CAP	1
2	805005-0001-07		BREATHER VALVE	1
3	103003-0001	TD	OIL COOLER BUSH $\Phi 6.5*9*10+\Phi 20*2$	2
4	903019-0006		BOLT M6*25	4
4	903019-0006-02	ATV	BOLT M6*25	2
5	903002-0002-02		SPRING WASHER $\Phi 6*18*1.5$	3
5	903002-0002-06	ATV	SPRING WASHER $\Phi 6*18*1.5$	1
6	906002-0001		CLIP $\Phi 7.5$	6
7	108001-0002	T4	FUEL FILTER	1
8	909010-0021	AT110	HEAT INSULATION FILM 170*273*2MM	1
9	906002-0003		CLIP $\Phi 8.2$	1
10	906002-0004		CLIP $\Phi 8.5$	1
11	903013-0006-02	ATV	SCREW M6*16	1
11	903013-0006-06	ATV	SCREW M6*16	1
12	903006-0002-02	ATV	FLANGE NUT M6	1
12	903006-0002-06	ATV	FLANGE NUT M6	1
13	805004-0007		PETCOCK	1
13	805004-0007-02		PETCOCK	1
14	903020-0003-03		HEX FLANGE STEP BOLT	2
15	903002-0004-03		FLAT WASHER $\Phi 8*16*1.5$	2
16	903002-0004-06	ATV	FLAT WASHER $\Phi 8*16*1.5$	2

## Plastic Kit



No.	Code	Model	Name	Qty.
1	803002-0012	AT110	FRONT COVER	1
2	803002-0013	AT110	REAR COVER	1
3	803002-0016	AT110	HEAD COVER	1
4	903008-0018	ATV	NUT ST4.8 11*17*0.8	2
5	803002-0015	AT110	RIGHT PLASTIC	1
6	903006-0002-02	ATV	FLANGE NUT M6	19
6	903006-0002-06	ATV	FLANGE NUT M6	19
7	803002-0014	AT110	LEFT PLASTIC/WHITE	1
8	803002-0017	AT110	LEFT FOOTPEG	1
9	803002-0018	AT110	RIGHT FOOTPEG	1
10	701000-0036-02	AT110	SEAT ASSY	1
11	903010-0005-02		SCREW ST4.2*16	2
11	903010-0005-03	ATV	SCREW ST4.2*16	2
12	903010-0004-02		SCREW ST4.2*12	8
12	903010-0004-06	ATV	SCREW ST4.2*12	8
13	903012-0007-02	ATV	SCREW TM6*16	35
13	903020-0055	ATV	SCREW M6*16	35
14	908003-0002		WASHER $\Phi$ 5.5*14.5*2	38
15	903012-0003-02	ATV	SCREW TM5*16	2
15	903012-0003-03	ATV	SCREW TM5*16	2
16	903012-0008-02	ATV	SCREW TM6*20	3
16	903020-0056	ATV	SCREW M6*20	3
17	903008-0020-2	ATV	CLIP NUT M6 20*16*1.0	1
17	903008-0020-03	ATV	CLIP NUT M6 20*16*1.0	1
18	902001-0119	AT110	BUSHER $\Phi$ 6.2*8.2*H5	1
19	903006-0001-02	ATV	FLANGE NUT M5	2
19	903006-0001-03	ATV	FLANGE NUT M5	2
20	903007-0002-02	ATV	FLANGE LOCK NUT M6	2
20	903007-0002-03	ATV	FLANGE LOCK NUT M6	2

## Sticker



No.	Code	Model	Name	Qty.
1	804002-0061	AT110	STICKER	1
1	804002-0061-02		STICKER	1
2	804002-0062	AT110	PAD COVER	1